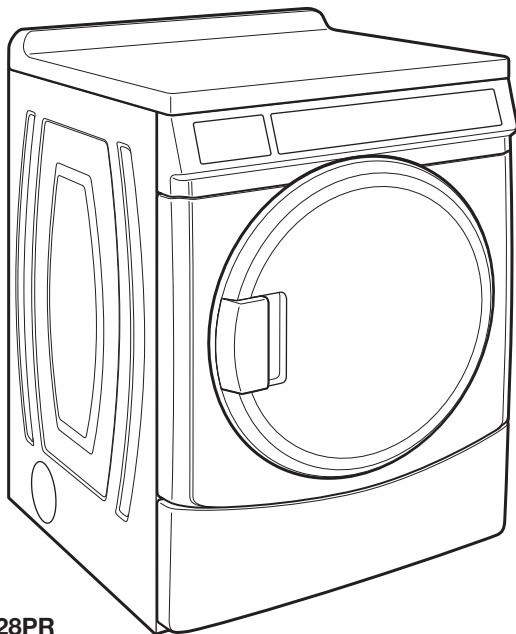


MDE28PD



MDE28PR

**INSTALLATION  
INSTRUCTIONS**  
ORIGINAL INSTRUCTIONS  
COMMERCIAL HE DRYER  
ELECTRIC

**INSTRUCTIONS  
D'INSTALLATION**  
INSTRUCTIONS ORIGINALES  
SÈCHE-LINGE HE COMMERCIAL  
ELECTRIQUE

**INSTRUCCIONES  
DE INSTALACIÓN**  
INSTRUCCIONES ORIGINALES  
SECADORA HE COMERCIAL  
ELÉCTRICA

---



## TABLE OF CONTENTS

	Page
Dryer Safety .....	3
Dryer Disposal .....	5
Tools & Parts .....	6
Specifications .....	6
Dimensions/Clearances .....	7
Installation Requirements .....	8
Venting Requirements .....	10
Installing Leveling Legs, Payment Device, and Coin Box.....	13
Leveling .....	14
Complete Installation .....	14
Reversing Door Swing (optional) .....	15
Maintenance Instructions .....	17
If You Need Assistance .....	17
Electronic Control Setup Instructions .....	17

## ÍNDICE

	Página
Seguridad de la Secadora .....	45
Desecho de la Secadora.....	48
Herramientas y Piezas .....	49
Especificaciones .....	49
Dimensiones y Espacios Libres .....	50
Requisitos de Instalación .....	51
Requisitos de Ventilación .....	53
Instalación de las Patas Niveladoras, Dispositivo de Pago y Caja de Monedas .....	56
Nivelación.....	57
Complete la Instalación .....	58
Cambio del Sentido de Apertura de la Puerta (Opcional). ..	59
Instrucciones de Mantenimiento .....	61
Si Necesita Asistencia .....	61
Instrucciones de Programación del Control Electrónico ..	62

## TABLE DES MATIÈRES

	Page
Sécurité de la Sécheuse .....	22
Mise au Rebut de la Sécheuse.....	25
Outils et Pièces.....	26
Spécifications .....	26
Dimensions/Distances de Dégagement.....	27
Exigences D'installation .....	28
Exigences Concernant L'évacuation .....	30
Installation des pieds de nivellement, du dispositif de Paiement et de la Caisse à Monnaie .....	33
Mise à Niveau.....	34
Fin de L'installation .....	35
Inversion du Sens D'ouverture de la Porte (Facultatif) .....	36
Instructions D'entretien .....	38
En cas de Besoin D'assistance .....	38
Instructions de Paramétrage des Commandes Électroniques .....	39

## Your safety and the safety of others are very important.

We have provided many important safety messages in this manual and on your appliance. Always read and obey all safety messages.



This is the safety alert symbol.

This symbol alerts you to potential hazards that can kill or hurt you and others.

All safety messages will follow the safety alert symbol and either the word “DANGER” or “WARNING.”

These words mean:

**⚠ DANGER**

You can be killed or seriously injured if you don't immediately follow instructions.

**⚠ WARNING**

You can be killed or seriously injured if you don't follow instructions.

All safety messages will tell you what the potential hazard is, tell you how to reduce the chance of injury, and tell you what can happen if the instructions are not followed.



## **WARNING - “Risk of Fire”**

- Clothes dryer installation must be performed by a qualified installer.
- Install the clothes dryer according to the manufacturer's instructions and local codes.
- Do not install a clothes dryer with flexible plastic venting materials or flexible metal (foil type) duct. If flexible metal duct is installed, it must be of a specific type identified by the appliance manufacturer as suitable for use with clothes dryers. Flexible venting materials are known to collapse, be easily crushed, and trap lint. These conditions will obstruct clothes dryer airflow and increase the risk of fire.
- To reduce the risk of severe injury or death, follow all installation instructions.
- Save these instructions.



## **WARNING – RISK OF FIRE/FLAMMABLE MATERIALS**

This is an additional safety alert symbol that alerts you to the risk of fire.


### **FOR YOUR SAFETY**

1. DO NOT USE OR STORE PETROL OR OTHER FLAMMABLE MATERIALS IN THIS APPLIANCE OR NEAR THIS APPLIANCE.
2. DO NOT SPRAY AEROSOLS IN THE VICINITY OF THIS APPLIANCE WHILE IT IS IN OPERATION.
3. DO NOT MODIFY THIS APPLIANCE.

# DRYER SAFETY

## IMPORTANT SAFETY INSTRUCTIONS

**WARNING:** To reduce the risk of fire, electric shock, or injury to persons when using the dryer, follow basic precautions, including the following:

- Read all instructions before using the dryer. 
- This dryer is intended only for drying clothes and textiles that have been washed in water. Do not use for any other purpose.
- Oil-affected items can ignite spontaneously, especially when exposed to heat sources such as a tumble dryer. The items become warm, causing an oxidation reaction in the oil. Oxidation creates heat. If the heat cannot escape, the items can become hot enough to catch fire. Piling, stacking or storing oil-affected items can prevent heat from escaping and so creates a fire hazard.
- If it is unavoidable that fabrics that contain vegetable or cooking oil or that have been contaminated by hair care products be placed in a tumble dryer, they should first be washed in hot water with extra detergent – this will reduce, but not eliminate the hazard.
- Do not dry articles that have been previously cleaned in, washed in, soaked in, or spotted with petrol, dry-cleaning solvents, other flammable, or explosive substances as they give off vapors that could ignite or explode.
- Items that have been soiled with substances such as acetone, alcohol, petrol, kerosene, spot removers, turpentine, waxes, and wax removers should be washed in hot water with extra detergent before being dried in the dryer.
- Do not dry unwashed items in the dryer.
- Do not use this dryer if industrial chemicals have been used for cleaning. The possible presence of residual quantities of aggressive or decomposed chemicals in the load may produce damage to the dryer and harmful fumes.
- Do not allow children to play on or in the dryer. Close supervision of children is necessary when the dryer is used near children. Cleaning and user maintenance shall not be made by children without supervision. Children of less than 3 years should be kept away unless continuously supervised.
- If the dryer is not heating, or appears to be defective or damaged, do not use it. Contact the owner.
- Do not install or store the dryer where it will be exposed to the weather.
- Do not tamper with controls.
- Clean dryer lint screen before or after each load.
- Do not use this dryer without the lint screen in place.
- Do not repair or replace any part of the dryer or attempt any servicing unless specifically recommended in this Use and Care Guide or in published user-repair instructions that you understand and have the skills to carry out.
- Fabric softeners, or similar products, should be used as specified by the fabric softener instructions.
- Items such as foam rubber (latex foam), shower caps, waterproof textiles, rubber-backed articles, and clothes or pillows fitted with foam rubber pads should not be dried in the tumble dryer.
- The final part of a tumble dryer cycle occurs without heat (cool-down cycle) to ensure that the articles are left at a temperature that ensures that the items will not be damaged.
- **WARNING:** Never stop a tumble dryer before the end of the drying cycle unless all items are quickly removed and spread out so that the heat is dissipated. (Avoids risk of spontaneous combustion).
- **WARNING:** The appliance must not be supplied through an external switching device, such as a timer, or connected to a circuit that is regularly switched on and off by a utility.
- In case of electrical supply failure, remove the load quickly and spread it out to avoid risk of spontaneous combustion.
- Keep area around the exhaust opening and adjacent surrounding areas free from the accumulation of lint, dust, and dirt.
- Ventilation openings in the base shall not be obstructed by a carpet or similar object.

**SAVE THESE INSTRUCTIONS**  
- CONTINUED ON NEXT PAGE -

# DRYER SAFETY

- This appliance is intended, but not limited, to be used in public areas.
- This dryer is not intended for use by persons (including children aged from 8 years and above) with reduced physical, sensory, or mental capabilities, or lack of experience or knowledge, unless they have been given supervision or instruction concerning use of the dryer by a person responsible for their safety.
- Before the dryer is removed from service or discarded, remove the door to the dryer compartment.
- Do not reach into the dryer if the drum is moving.
- Opening the dryer door will stop the function of the dryer.
- When loading or re-loading the dryer, avoid touching hot metal parts of the drum (burn risk).
- Remove all objects from pockets such as lighters and matches.
- If drum rotation is blocked due to trapped textiles, disconnect the dryer from the electrical supply before gently removing the blockage.
- If this is not possible due to the construction of the appliance or its installation, a disconnection with a locking system in the isolated position shall be provided.
- Only authorized spare parts shall be used in the event of failure.
- This appliance incorporates an earth connection for functional purposes only.
- The dryer must not be installed behind a lockable door, a sliding door or a door with a hinge on the opposite side to that of the tumble dryer, in such a way that a full opening of the tumble dryer door is restricted.
- Exhaust air must not be discharged into a flue which is used for exhausting fumes from appliances burning gas or other fuels.
- The fresh-air ventilation openings into the room and into the dryer must not be blocked or sealed.
- Emergency stop control: After installation, access to mains plug or disconnection from mains supply via a double-pole switch must be ensured at all times in order to ensure immediate deactivation of the dryer in case of emergency.
- The interior of the dryer and dryer exhaust vent should be cleaned periodically by qualified service personnel.
- See “Electrical Requirements” section in “Installation Requirements” for earthing instructions.
- Adequate ventilation has to be provided to avoid the back-flow of gases into the room from appliances burning fuels, including open fires.
- The dryer shall be disconnected from its power source during service and when replacing parts.
- See DIMENSIONS/CLEARANCES section for minimum installation spacing requirements.
- IEC Load Capacity: 10.5 kg.
- This dryer is not fitted with a supply cord and a plug. Means for disconnection from the supply mains having a contact separation in all poles that provide full disconnection under overvoltage category III conditions must be provided, otherwise means for disconnection must be incorporated in the fixed wiring in accordance with the wiring rules.

**SAVE THESE INSTRUCTIONS**

## DRYER DISPOSAL



This appliance is marked according to the European directive 2012/19/EU on Waste Electrical and Electronic Equipment (WEEE).

By ensuring this product is disposed of correctly, you will help avoid potential negative consequences for the environment and human health, which could otherwise be caused by inappropriate waste handling of this product.

The symbol on the product, or on the documents accompanying the product, indicates that this appliance may not be treated as household waste. Instead it shall be handed over to the applicable collection point for the recycling of electrical and electronic equipment.

Disposal must be carried out in accordance with local environmental regulations for waste disposal.

For more detailed information about treatment, recovery and recycling of this product, please contact your local city office, your household waste disposal service or the shop where you purchased the product.

### MODEL NOMENCLATURE:

**MDE** – Maytag Dryer – Electric

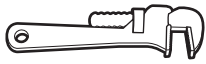
**PN** – Electronic Control – Non-Pay

**## (e.g. 28)** – Model Type Number

**PD** – Electronic Control – Coin Drop Enabled

**PR** – Electronic Control - Card Ready

## Tools Needed:



8" or 10"  
Pipe wrench



8" or 10"  
Adjustable wrench  
that opens to 1"



Flat-blade screwdriver



Phillips screwdriver



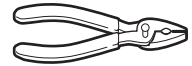
TORX† T20 Security  
screwdriver or bit



1" Hex-head  
socket wrench



5/16" Socket wrench



Pliers  
(that open to 1<sup>9</sup>/<sub>16</sub>" )



Level



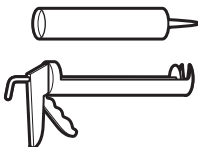
Utility knife



1/4" Nut driver



Locking pliers



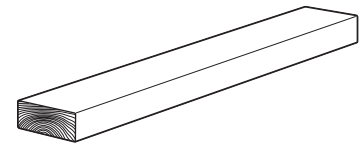
Caulk gun and caulk  
(for installing new exhaust vent)



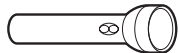
Vent clamps



Pipe-joint compound  
suitable for gas type



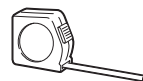
27" Wood block



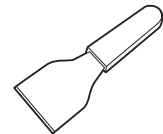
Flashlight (optional)



1" Open-end  
wrenches



Ruler or measuring tape



Putty knife

## Parts Supplied:

- Foot boots (4)
- Leveling legs (4)
- PN/PR models: Card reader bezel, hardware

**NOTE:** The circuit diagram for this dryer is located inside the side panel, within the Tech Sheets.

### Technical Specifications:

220 V-240 V, 50 HZ 4575 W

Total mass: 69 kg maximum

## SPECIFICATIONS

These units are sold in multiple regions with different requirements for measuring capacity. Below are a few of the valid forms of measure posted on this product:

**Dry Linen Capacity:** A weight measure that reflects a minimum threshold for dry volume capacity that is needed for import tariff purposes.

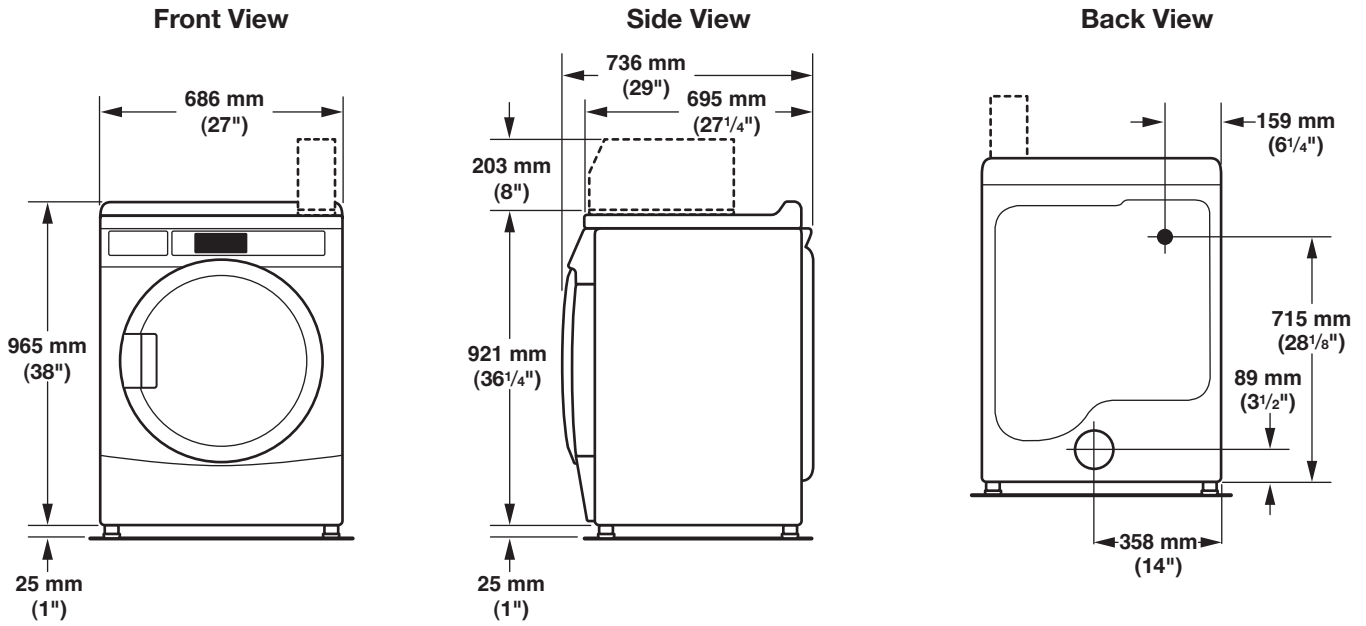
**IEC Capacity:** The capacity measure that represents the maximum capacity of dry linens and textiles which the manufacturer declares can be treated in a specific cycle.

<b>Dry Linen Capacity</b>
10.5 kg (23 lbs)
<b>IEC Capacity</b>
10.5 kg (23 lbs)
<b>Sound Level</b>
LpA: 58 dB(A) {kPa+/-10 dB(A)}

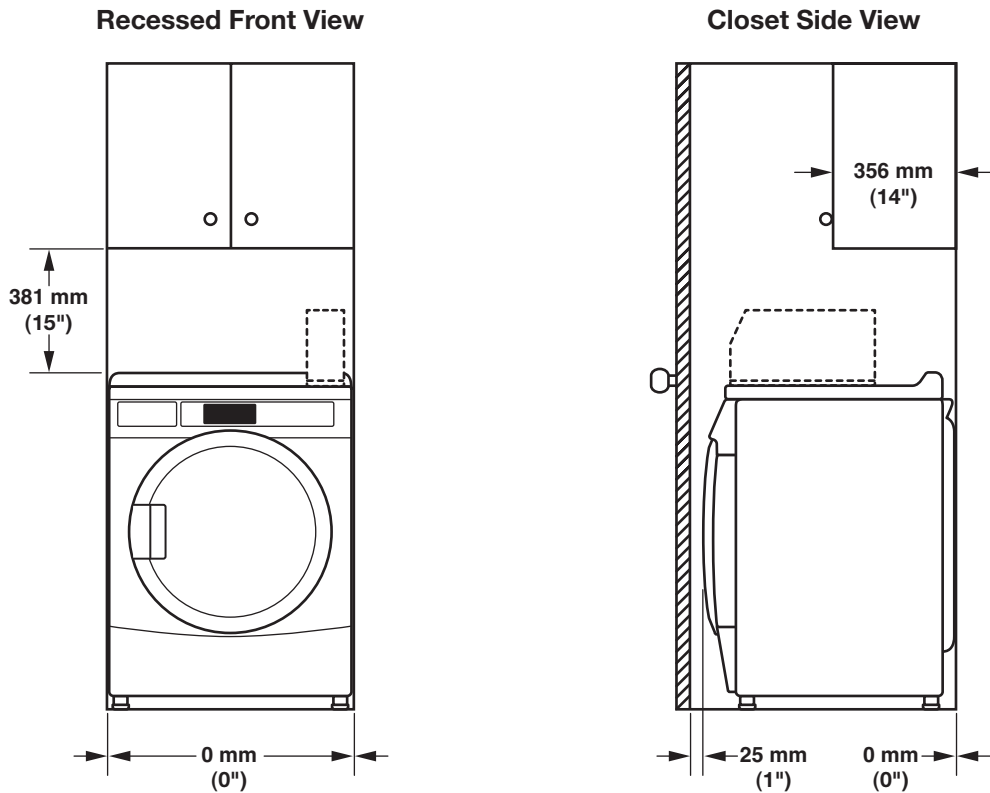
†TORX is a trademark of Acument Intellectual Properties, LLC.

# DIMENSIONS/CLEARANCES

## Dimensions



## Clearances



# INSTALLATION REQUIREMENTS

## Location

### **⚠ WARNING**



#### **Explosion Hazard**

**Keep flammable materials and vapors, such as petrol, away from dryer.**

**Do not install in a garage.**

**Failure to do so can result in death, explosion, or fire.**

Your dryer can be installed in a basement, laundry room, or recessed area.

Companion appliance location requirements should also be considered.

**IMPORTANT:** Do not install or store the dryer where it will be exposed to the weather. Proper installation is your responsibility.

#### **You will need:**

- A level floor with a maximum slope of 25 mm (1") under entire dryer. Installing the dryer on soft floor surfaces, such as carpets or surfaces with foam backing, is not recommended.
- A sturdy and solid floor to support the dryer with a total weight (load) of 204 kg (450 lbs).

#### **Installation clearances**

- The location must be large enough to allow the dryer door to be fully opened.
- Additional spacing should be considered for ease of installation and servicing. The door opens more than 180°.
- Additional clearances might be required for wall, door, and floor moldings.
- Additional spacing of 25 mm (1") on all sides of the dryer is recommended to reduce noise transfer.
- Companion appliance spacing should also be considered.

#### **Recessed Area and Closet Installation Instructions**

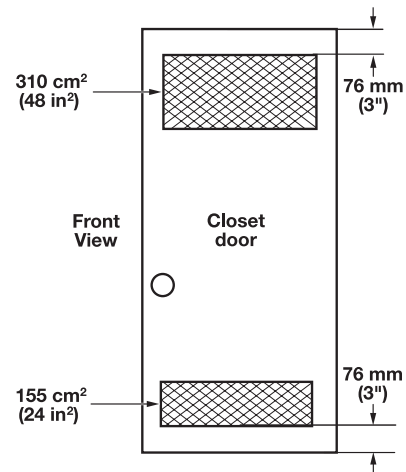
This dryer may be installed in a recessed area or closet. The dryer must not be installed behind a lockable door, a sliding door, or a door with a hinge on the opposite side to that of the dryer in such a way that a full opening of the dryer door is restricted. For recessed area and closet installations, minimum clearances can be found on the warning label on the rear of the dryer or in "Dimensions/Clearances."

The installation spacing is in millimeters and is the minimum allowable. Additional spacing should be considered for ease of installation, servicing, and compliance with local codes and ordinances.

If closet door is installed, the minimum unobstructed air opening in the top and bottom of the door shall be as depicted in the diagram below. Louvered doors with equivalent air openings are acceptable.

The dryer must be exhausted outdoors.

**NOTE:** For installation in Australia and New Zealand, refer to AS/NZS 5601.1 for ventilation requirements.



**NOTE:** This dryer is not intended to be placed on top of a washer.

# INSTALLATION REQUIREMENTS

## Electrical Requirements

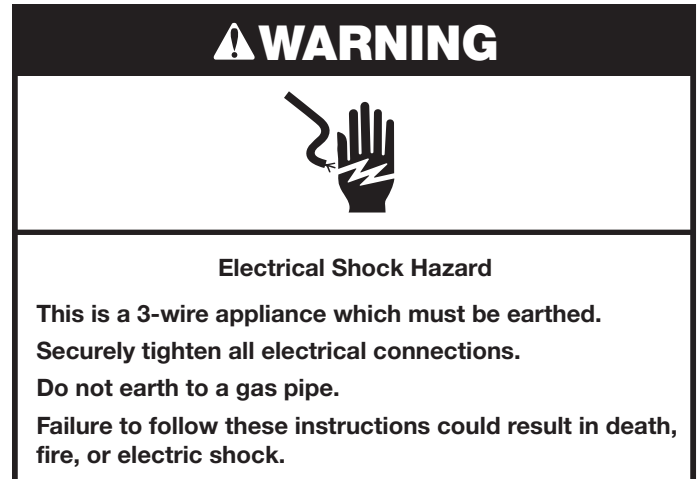


This dryer is supplied without an electric cord and plug. It must be connected by a competent electrician to a single-phase electricity supply at the voltage shown on the dataplate, using a suitable fixed wiring installation in accordance with local and national wiring regulations.

- A 3-wire circular cord of minimum conductor size 4 mm<sup>2</sup> cross-section area should be used.
- A 25 A (minimum) supply fuse should be used, and a switch having a contact separation in both poles that provides full disconnection under over-voltage category III conditions must be incorporated into the fixed wiring in accordance with local wiring regulations. The dryer should be positioned so that the disconnection switch is clearly visible and easily accessible to the user. This disconnection switch also provides the function of an emergency stop control for the user.
- A cord clamp bushing is provided on the dryer, and should be tightened on completion of wiring. The electrical mains terminals are located behind the small rear access panel (terminal block cover), and connections should be made in accordance with the terminal markings. Remember to replace the terminal access panel (terminal block cover).

**NOTE:** Electrical safety standards: The manufacturer has chosen compliance with IEC/EN.60335 standards as the most appropriate for this product.

**NOTE:** In accordance with the European EMC Directive (2014/30/EU), the maximum electricity supply system impedance to which the electric dryer should be connected is declared to be 0.054  $\Omega$  + j0.034  $\Omega$ .



If codes permit and an additional earth bond wire is used, it is recommended that a qualified electrician determine that the earth bond path is adequate.

### Recommended Earthing Method

It is your responsibility to contact a qualified electrical installer to ensure that the electrical installation is adequate and in conformance with all local codes and ordinances.

- Do not earth to a gas pipe

# VENTING REQUIREMENTS

## ⚠ WARNING



### Fire Hazard

Use a heavy metal vent.

Do not use a plastic vent.

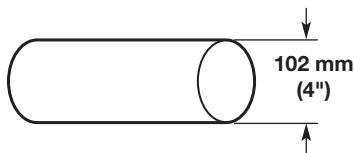
Do not use a metal foil vent.

Failure to follow these instructions can result in death or fire.

**WARNING:** To reduce the risk of fire, this dryer MUST BE EXHAUSTED OUTDOORS.

**IMPORTANT:** Observe all governing codes and ordinances.

- Following these venting requirements will minimize ducting air noise.
- Exhaust air must not be discharged into a flue for exhausting fumes from appliances burning gas or other fuels, including open fires (i.e., available airflow into the room should match airflow out from the room).
- Adequate ventilation must be provided to avoid the back flow of gases into the room from appliances burning other fuels, including open fires.
- Dryer exhaust must not be connected into any gas vent, chimney, wall, ceiling, attic, crawl space, or a concealed space of a building. Only rigid or flexible metal vent shall be used for exhausting.
- Do not use an exhaust hood with a magnetic latch.



102 mm (4") heavy, metal exhaust vent

- Only a 102 mm (4") heavy, metal exhaust vent and clamps may be used.
- Do not use plastic or metal foil vent.

### Rigid metal vent:

- Recommended for best drying performance and to avoid crushing and kinking.

### Flexible metal vent: (Acceptable only if accessible to clean)

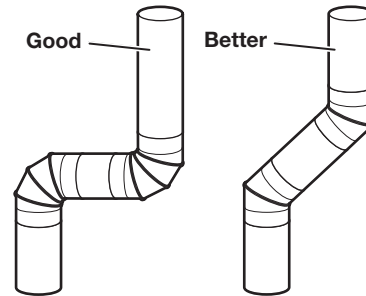
- Must be fully extended and supported in final dryer location.
- Remove excess to avoid sagging and kinking that may result in reduced airflow and poor performance.
- Do not install in enclosed walls, ceilings, or floors.
- The total length should not exceed 2.4 m (7¾ ft).
- An exhaust hood should cap the vent to keep rodents and insects from entering the building.

### NOTES:

- Although usually each single-load dryer should have an unobstructed outdoor air opening of 24 in<sup>2</sup> (154 cm<sup>2</sup>) (based on 1 in<sup>2</sup> [6.5 cm<sup>2</sup>] per 1,000 BTU [252 kcal]), common makeup air openings are also acceptable. Set up common openings so the makeup air is distributed equally to all of the dryers. Keep in mind that the coverage area must be increased by 33% to account for the use of registers or louvers over the openings. Also, makeup air openings should not be installed near the location where exhaust vents exit the building.
- If using an existing vent system, clean lint from entire length of the system and make sure exhaust hood is not plugged with lint. Replace plastic or metal foil vents with rigid metal or flexible metal vents. Review "Vent System Chart" and, if necessary, modify existing vent system to achieve best drying performance.

### Elbows:

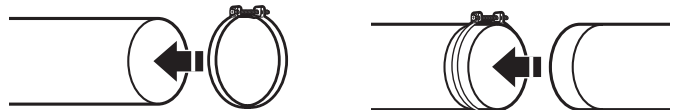
- 45° elbows provide better airflow than 90° elbows.



- Plan installation to use the fewest number of elbows and turns.
- Allow as much room as possible when using elbows or making turns. Bend vent gradually to avoid kinking.
- Vent outlet is located at the center of the bottom dryer back.
- The vent can be routed up, down, left, right, behind the dryer, or straight out the back of the dryer.

### Clamps:

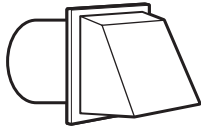
- Use clamps to seal all joints.
- Exhaust vent must not be connected or secured with screws or other fastening devices that extend into interior of duct and catch lint. Do not use duct tape.



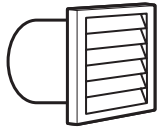
# VENTING REQUIREMENTS

## Vent Hoods

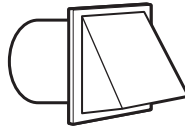
### 102 mm (4") Diameter Exhaust Hoods



Box hood

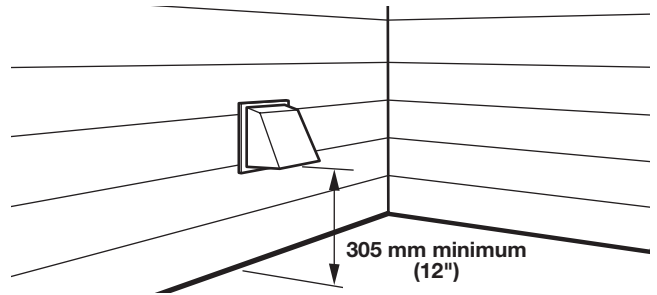


Louvered hood



Angled hood

Exhaust hood must be at least 305 mm (12") from the ground or any object that may be in the path of the exhaust (such as flowers, rocks, bushes, or snow).



## Vent System Length

### Maximum Vent Length/Vent Connection

Maximum length of vent system depends upon the type of vent used, number of elbows, and type of exhaust hood.

Vent System Chart (Rigid Metal Vent)

No. of 90° Turns	Box and Louvered Hood	Angled Hood
0	39.6 m (130 ft)	39.3 m (129 ft)
1	38.1 m (125 ft)	36.3 m (119 ft)
2	35.1 m (115 ft)	33.2 m (109 ft)
3	32.3 m (106 ft)	30.5 m (100 ft)
4	29.9 m (98 ft)	28.0 m (92 ft)

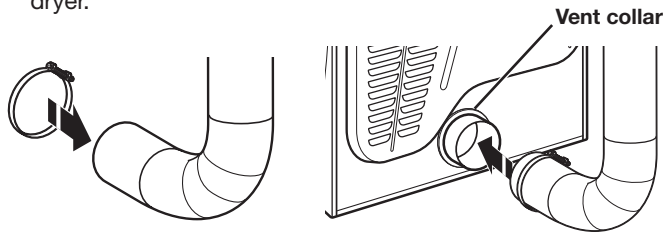
For vent systems not covered by the "Vent System Chart," see your parts distributor.

Provision must be made for enough air for combustion and ventilation. (Check governing codes and ordinances.) See "Recessed Area and Closet Installation Instructions" in the "Location" section.

A 102 mm (4") outlet hood is preferred. However, a 64 mm (2½") outlet exhaust hood may be used. A 64 mm (2½") outlet creates greater back pressure than other hood types. For permanent installation, a stationary vent system is required.

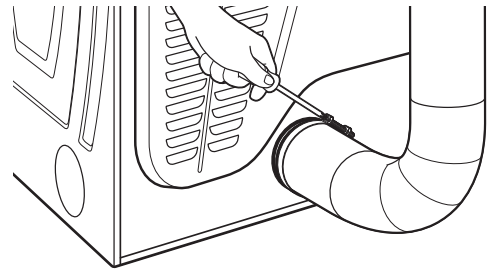
### Connect Vent

1. If connecting to existing vent, make sure the vent is clean.
2. Using a 102 mm (4") clamp, connect vent to exhaust outlet in dryer.

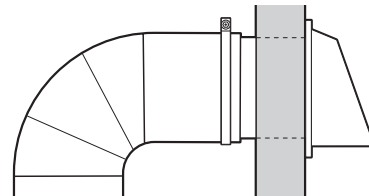


**NOTE:** Do not remove vent collar.

3. Tighten hose clamp with Phillips screwdriver.



4. Make sure the vent is secured to exhaust hood with a 102 mm (4") clamp.

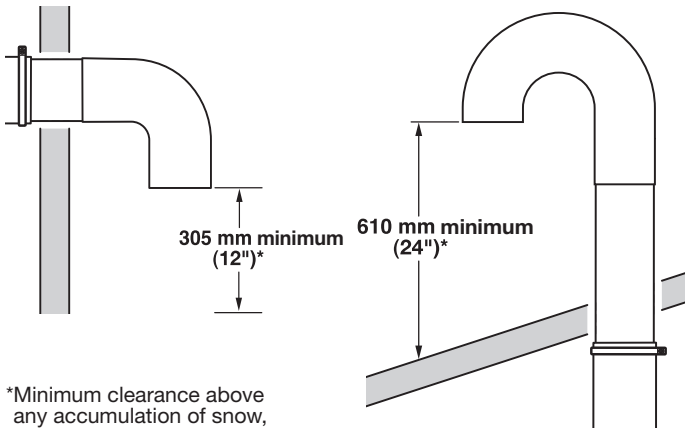


5. Move dryer into final position. Do not crush or kink vent. Make sure dryer is level.

# VENTING REQUIREMENTS

## If an Exhaust Hood Cannot Be Used

The outside end of main vent should have a sweep elbow directed downward.



If main vent travels vertically through the roof, rather than through wall, install a 180° sweep elbow on end of vent at least 610 mm (2 ft) above surface of roof.

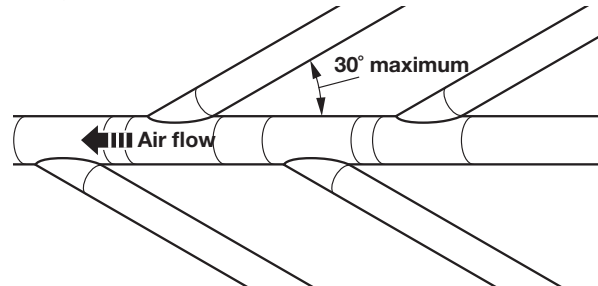
The opening in wall or roof shall have a diameter 13 mm (1/2") larger than vent diameter. Vent should be centered in opening. Do not install screening over end of vent for best performance.

## Multiple Dryer Venting

A main vent can be used for venting a group of dryers. The main vent should be sized to remove 5,663 L/minute (200 CFM) of air per dryer. Large-capacity lint screens of proper design may be used in main vent if checked and cleaned frequently. The room where the dryers are located should have make-up air equal to or greater than CFM of all the dryers in the room.

A Back-draft Damper Kit is available from your distributor and should be installed in the vent of each dryer to keep exhausted air from returning into dryers and to keep exhaust in balance within main vent. Unobstructed return air openings are required.

Each vent should enter the main vent at an angle pointing in the direction of the airflow. Vents entering from the opposite side should be staggered to reduce the exhausted air from interfering with the other vents.



The maximum angle of each vent entering the main vent should be no more than 30°.

Keep air openings free of dry-cleaning fluid fumes. Fumes create acids which, when drawn through the dryer heating units, can damage dryers and items being dried.

A clean-out cover should be located on the main vent for periodic cleaning of the vent system.

# INSTALLING LEVELING LEGS, PAYMENT DEVICE, AND COIN BOX

The payment device, control panel lock and key, as well as the coin box lock and key are not included, but are available from the usual industry sources.

## **⚠ WARNING**

### **Excessive Weight Hazard**

**Use two or more people to move and install dryer.**  
**Failure to do so can result in back or other injury.**

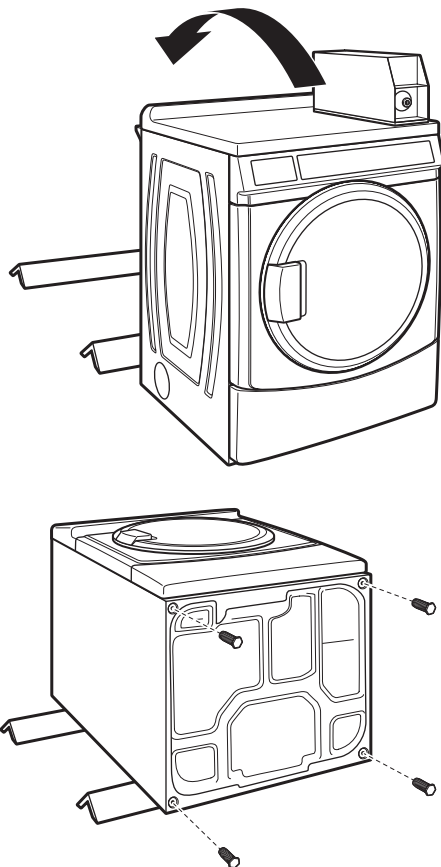
### 1. Prepare dryer for leveling legs

**NOTE:** Slide dryer onto cardboard or hardboard before moving to avoid damaging floor covering.

Using two or more people, move dryer to desired installation location.

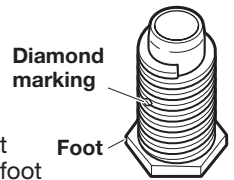
Take tape off front corners of dryer. Open dryer and remove the literature and parts packages. Wipe drum interior with damp cloth to remove any dust.

Take two cardboard corners from the dryer carton and place them on the floor in back of the dryer. Firmly grasp body of the dryer and gently lay it on its back on the cardboard corners.



### 2. Screw in leveling legs

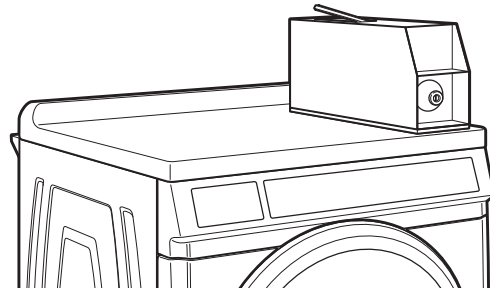
Examine leveling legs and find diamond marking. Screw legs into leg holes by hand. Use an adjustable wrench or 25 mm (1") hex-head socket wrench to finish turning legs until diamond marking is no longer visible. Then fit a covered foot boot over each leg foot. A longer leveling foot (Part Number 279810) is available if needed on extremely sloped floors.



To protect the floor, use a large piece of cardboard from the dryer carton. Stand dryer up on the cardboard. Slide the dryer until it is close to its final location. Leave enough room for electrical connection and to connect the exhaust vent.

### 3. Install payment device and coin box

Remove the service door of the meter case by lifting it up at the back. If applicable, install the money-accepting device. (Refer to manufacturer's instructions for proper installation.)



Replace the meter case service door. Put the coin vault with lock and key in the meter case opening.

Remove cardboard or hardboard from under dryer. Adjust the legs of the dryer up or down until the dryer is level.

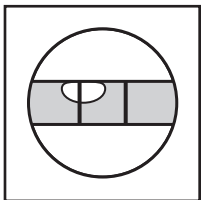
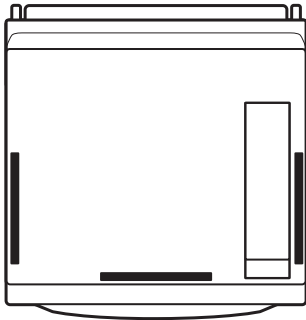
Leveling your dryer properly reduces excess noise and vibration.

## ⚠️ WARNING

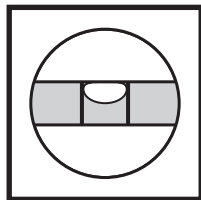
### Excessive Weight Hazard

**Use two or more people to move and install dryer.**  
**Failure to do so can result in back or other injury.**

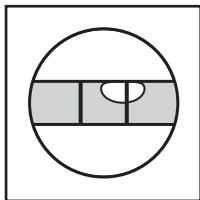
1. Remove cardboard from beneath dryer. Place a level on top edges of dryer, checking each side and front. If not level, tip dryer and adjust feet up or down as shown in Steps 3 and 4, repeating as necessary.



Not Level



LEVEL



Not Level

2. Grip dryer from top and rock back and forth, making sure all four feet are firmly on floor. Repeat, rocking dryer from side to side. If dryer rocks, go to Step 3 and adjust leveling feet. If all four feet are in firm contact with floor, go to Step 4.

## COMPLETE INSTALLATION

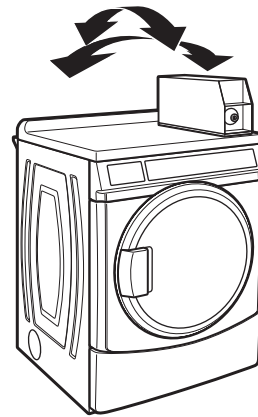
## ⚠️ WARNING



### Electrical Shock Hazard

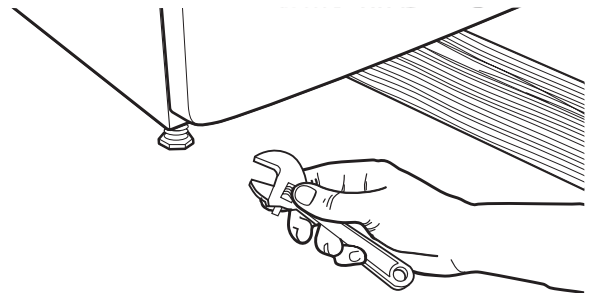
**This is a 3-wire appliance which must be earthed.**  
**Securely tighten all electrical connections.**  
**Do not earth to a gas pipe.**  
**Failure to follow these instructions could result in death, fire, or electric shock.**

1. Check the electrical requirements. Be sure that you have the correct electrical supply and the recommended earthing method. See "Electrical Requirements."



3. If dryer is not level, remove the rubber boot if used; then use an adjustable wrench or 25 mm (1") hex-head socket wrench to turn legs until adjustment is completed. Check levelness of dryer after all feet are firmly touching the ground and the level shows dryer top to be level front to back and side to side.

**HELPFUL TIP:** You may want to prop up front of dryer about 102 mm (4") with a wood block or similar object that will support weight of dryer.



4. When dryer is level and all four feet are firmly in contact with the floor, use a 25 mm or (1") open-end or adjustable wrench to turn nuts on leveling feet tightly against dryer cabinet.

**HELPFUL TIP:** You may want to prop dryer with wooden block.

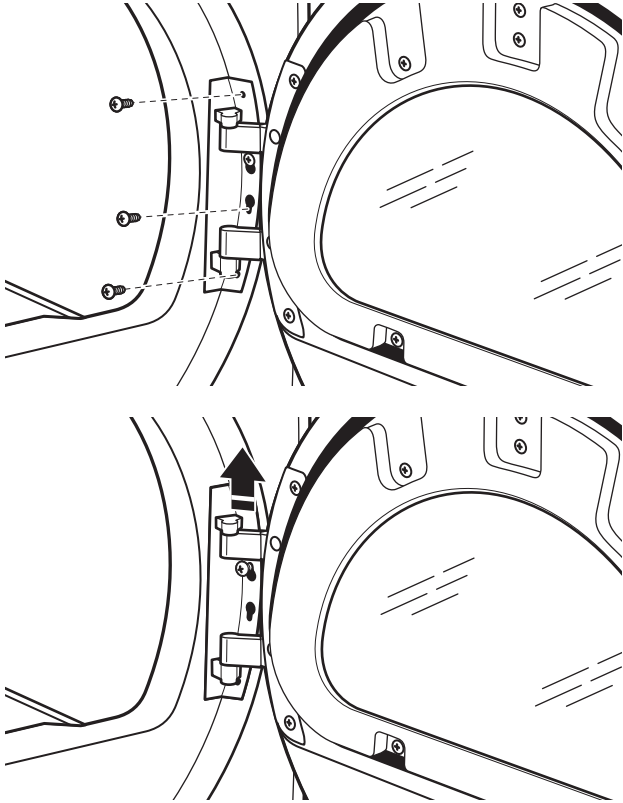
2. Check that all parts are now installed. If there is an extra part, go back through the steps.
3. Check that you have all of your tools.
4. Dispose of/recycle all packaging materials.
5. Switch on power supply.
6. Check dryer operation. Using a full heat cycle, let the dryer run for at least five minutes. Dryer will stop when time is used up.
7. Do not earth to a gas pipe

**NOTE:** Dryer door must be closed for dryer to operate. When door is open, dryer stops, but timer continues to run. To restart dryer, close door and press cycle keypad.

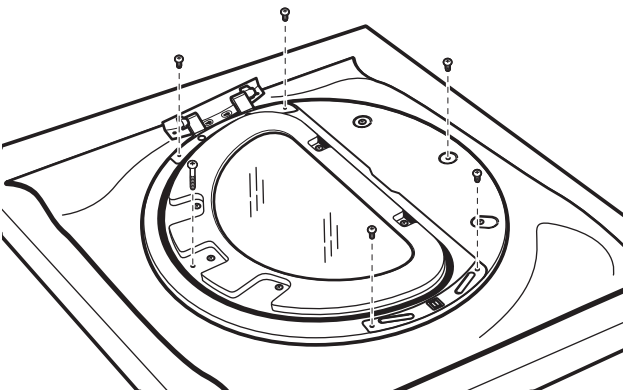
# REVERSING DOOR SWING (OPTIONAL)

## Remove the Door Assembly

1. Place a towel or soft cloth on top of dryer or workspace to avoid scratching of the surface.
2. Remove 3 of the 4 screws that hold the door hinge on the front panel of the dryer. Partially loosen the remaining screw with keyhole opening and lift the door off the screw.

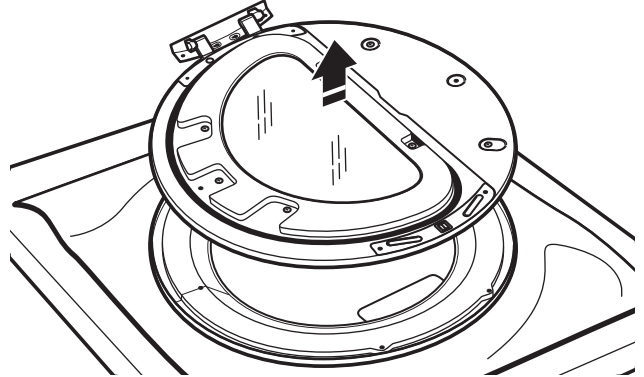


3. Lay the door assembly on a previously prepared flat surface with the inside (inner door assembly) facing up, and remove 6 Phillips-head screws to release outer door assembly from inner door assembly.

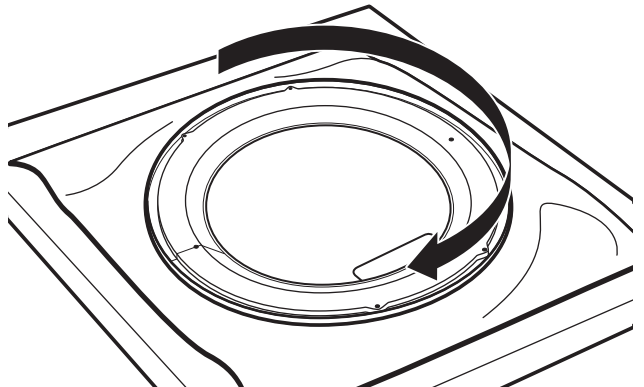


**NOTE:** It is important that you remove only 6 indicated screws.

4. Lift the inner door assembly off outer door assembly.

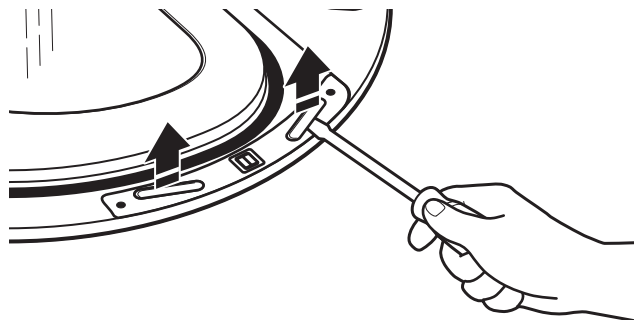


5. Rotate outer door 180°.

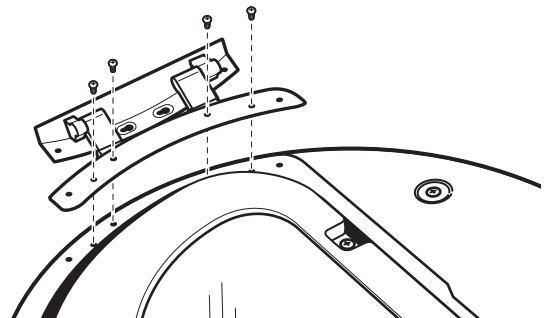


## Reverse Hinge

1. Use a small flat-blade screwdriver to remove 2 plug strips from the inner door. Slide the head of the screwdriver under the plugs, without scratching inner door surface, and lift up strip.

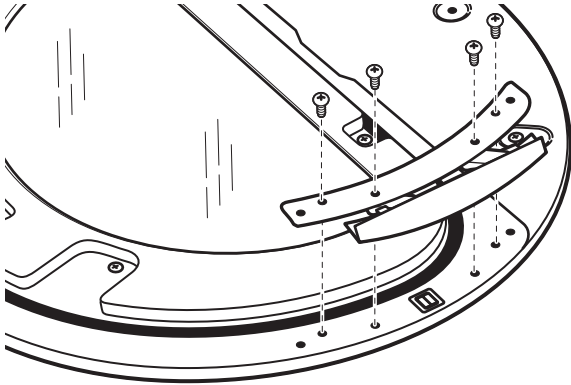


2. Remove the 4 screws that attach to inner door hinge.

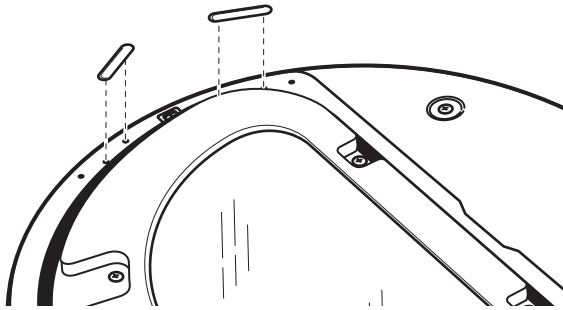


## REVERSING DOOR SWING (OPTIONAL)

3. Move hinge to other side. Reinstall 4 screws.



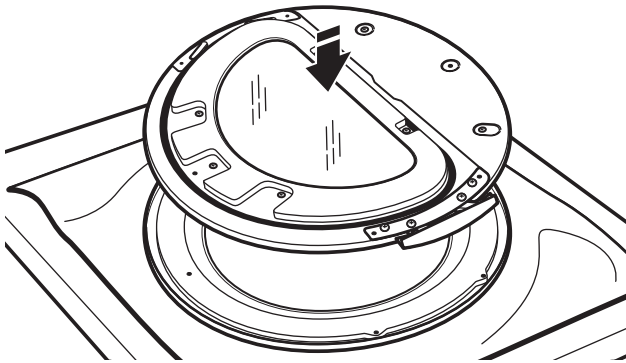
4. Reinstall plug strips on opposite side of the inner door.



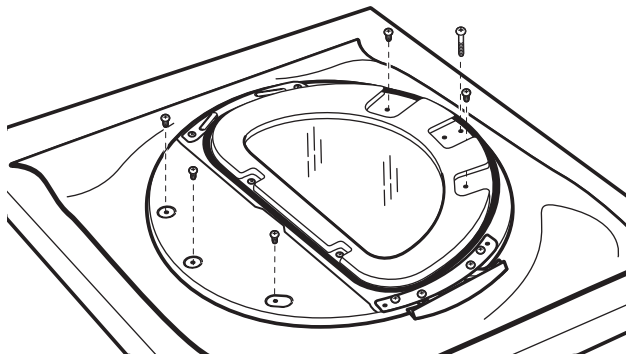
5. Check for fingerprints on the glass. Clean if necessary.

### Replace the Door Assembly

1. Place the inner door assembly inside the outer door assembly.

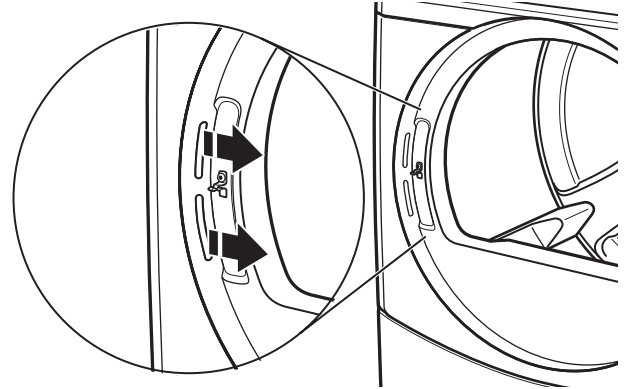


2. Reassemble the inner and outer door assemblies with the 6 screws.

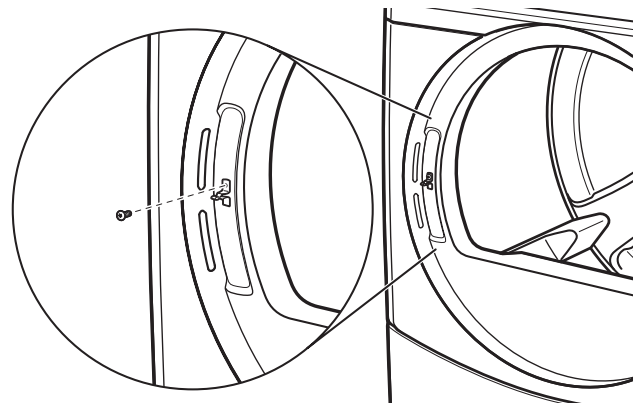


### Reverse the Strike

1. Remove labels to expose the hinge holes.



2. Remove the strike using a Phillips screwdriver.

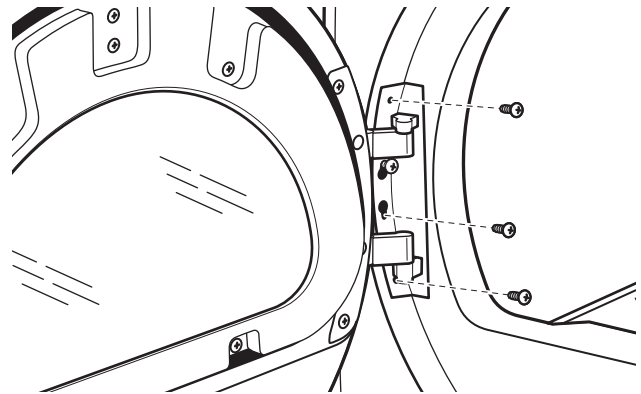


3. Insert strike on the opposite side.

4. Reapply the labels to opposite side. If label is damaged, then order part number W11481394.

### Reinstall the Door

1. Partially insert the third screw from the top; then slide the hinge onto this screw while hooking the hinge into the front panel hole. Reattach door to dryer front panel with the remaining 3 screws.



2. Check for fingerprints on the glass. Clean if necessary.
3. Close door and check that it latches securely.

# MAINTENANCE INSTRUCTIONS

- Clean lint screen before and after each cycle.
- Removing accumulated lint:
  - From inside the dryer cabinet:  
Lint should be removed every 2 years, or more often, depending on dryer usage. Cleaning should be done by a qualified person.
  - From the exhaust vent:  
Lint should be removed every 2 years, or more often, depending on dryer usage.

## If dryer does not operate, check the following:

- Electrical supply is connected.
- Circuit breaker is not tripped or house fuse is not blown.
- Door is closed. Listen closely to hear the door switch activate.
- Cycle selection keypad has been pushed firmly and display shows cycle time.

## IF YOU NEED ASSISTANCE

Direct all requests for service to the Maytag Commercial Laundry Distributor that sold the appliance.

When calling, please know the purchase date and the complete model and serial number of your appliance. This information will help us to better respond to your request.

## ELECTRONIC CONTROL SETUP INSTRUCTIONS

### IMPORTANT

#### Electrostatic Discharge (ESD) Sensitive Electronics

ESD problems are present everywhere. ESD may damage or weaken the electronic control assembly. The new control assembly may appear to work well after repair is finished, but failure may occur at a later date due to ESD stress.

- Use an anti-static wrist strap. Connect wrist strap to green earth connection point or unpainted metal in the appliance.

-OR-

Touch your finger repeatedly to a green earth connection point or unpainted metal in the appliance.

- Before removing the part from its package, touch the anti-static bag to a green ground connection point or unpainted metal in the appliance.
- Avoid touching electronic parts or terminal contacts; handle electronic control assembly by edges only.
- When repackaging failed electronic control assembly in anti-static bag, observe above instructions.

\$1.50 dry price (fixed cycle with top off – PD Models)

\$0.00 dry price (fixed cycle – PN/PR Models)

**WARM START (after power failure)** – A few seconds after power is restored, if a cycle was in progress at the time of the power failure, “RESELECT CYCLE” will flash in the display. This indicates a fabric setting keypad needs to be pressed to restart dryer.

**PRICING** – After the door is opened and then closed following the completion of a cycle, the display indicates the cycle price (unless set for free operation). As coins are dropped or debit inputs arrive, the display will change to lead the user through the initiation of a cycle.

**There are four (4) types of dryer pricing:**

#### Fixed “Vend” Pricing

A dryer set up for “Fixed Cycle” operation can only accept additional time accumulated by increments equal to the length of a complete dry cycle. A maximum of 75 minutes may be purchased; no additional credit is given with 75 minutes in the display.

#### Accumulator Pricing

If the price is set to one coin 1, then accumulator pricing is in effect. Cycle time can be purchased one coin at a time (PD models) up to the maximum time of 75 minutes.

## General User Information

**“OUT OF ORDER” SHOWING IN DISPLAY** – This condition indicates the dryer is inoperative. Diagnostic or failure code will follow the scrolling message.

**“0 MINUTES” SHOWING IN DISPLAY** – This indicates the cycle is complete and the dryer cannot be operated. Coins dropped or debit inputs during this condition will be stored in escrow but cannot be used until normal operation is restored by opening and closing the door. If a door switch has failed, it must be replaced before normal operation can be restored.

**COLD START (Initial first use)** – Dryer is programmed at the factory as follows:

45 minutes dry time for PN/PR models; 5 minutes per coin for PD models.

# ELECTRONIC CONTROL SETUP INSTRUCTIONS

## Fixed Cycle With Top Off Pricing

A dryer set to offer “Top Off” capability will allow time to be added to an existing dry cycle in increments equal to the number of minutes of dry time per coin (coin 1), up to 75 minutes, regardless of the cost required to start the dryer. No credit is given for coins or debit inputs entered when the control is displaying 75 minutes.

**PN Models Set Up as PR:** In Enhanced Debit Mode, the top off price can be set independently (see VALUE OF COIN 2), and the top off time is calculated according to the following equation:

$$\frac{\text{top off price}}{\text{full-cycle price}} = \frac{\text{top off time}}{\text{full-cycle length}}$$

Hundredth increment offset is not applied to top off purchases.

**PN/PR Models** – The factory has preset the cycle price to zero. When this happens, “SELECT CYCLE” will appear rather than a cycle price. Any cycle started as a free cycle will automatically terminate when the door is opened.

**DEBIT CARD READY** – This dryer has a control that is debit card ready, but the dryer is not.

## Display

After the dryer has been installed and plugged in, the display will show “0 minutes.”

### PD Models



Once the dryer has been plugged in and the dryer door opened and closed, the display will show the vent price. PN/PR models are factory preset for free cycles; the display will flash “SELECT CYCLE.”

### PN/PR Models



## Control Setup Procedures

**IMPORTANT:** Read all instructions before operating.

The fabric setting keypads along with the digital display are used to set up the dryer controls. The display can contain 4 numbers and/or letters and a decimal point. These are used to indicate the setup codes and related code values available for use in programming the dryer.

### How to Use the Keypads to Program the Controls

1. The WHITES AND COLORS keypad is used to adjust the values associated with setup codes. Pressing the keypad will change the value by increments. Rapid adjustment is possible by holding down the keypad.
2. The DELICATES keypad will advance the display through the setup codes. Pressing the keypad will advance the display to the next available setup code. Holding down the DELICATES keypad will automatically advance through the setup codes at a rate faster than 1 per second.
3. The STOP/PAUSE keypad is used to select or deselect options.

## Start Operating Setup

- PD Models: Insert service door key, turn, and lift to remove service door.
- PN/PR Models: Remove the AA1 jumper from the control board (see procedure below) or use the Service Access Code below. Once the debit card reader is installed (according to the reader manufacturer’s instructions), the setup mode can be entered by inserting a manual setup card (supplied by the reader manufacturer) into the card slot. If manual setup card is not available, manual setup mode cannot be entered. However, diagnostic mode can be entered by removing connector AA1 on the circuit board.

**IMPORTANT:** The console must not be opened unless power is first removed from the dryer. To access connector AA1:

- Unplug dryer or disconnect power.
- Open console, disconnect plug on AA1, close console.
- Plug in dryer or reconnect power.

- PN/PR Models Equipped with Programming Switch: Insert access panel key and turn counterclockwise.
- PN/PR Models with Gen 2 Debit Card Reader: Once a Gen 2 debit card reader is installed (according to the reader manufacturer’s instructions), the setup mode can only be entered by inserting a manual setup card (supplied by the reader manufacturer) into the card slot.
- If manual setup card is not available, only diagnostic mode can be entered.
- The alternative Service Access Code to enter set-up mode is to press the following keypads in this sequence: Left keypad, Right keypad, Left keypad, Right keypad, and Right keypad.

**NOTE:** This dryer is preset at the factory and does not require any programming. However, if you want to change the settings, follow the “Setup Codes” guide below. PD models require a payment system or OPL kit to be installed prior to operation.

- PD units are pre-set at the factory for fixed cycle price with top off.
- PN/PR units are pre-set for fixed cycle operation so they can be run without payment.

## Setup Codes

- The DELICATES keypad will advance you from code to code.
- The WHITE AND COLORS keypad will change the code value.
- The STOP/PAUSE keypad will select or deselect options.

**PN/PR MODELS:** The setup codes are the same as for the PD models except where noted.

# ELECTRONIC CONTROL SETUP INSTRUCTIONS

The setup code is indicated by the one or two left-hand characters. The setup code value is indicated by the two or three right-hand characters.

**NOTE:** The first line of each code indicates the factory default.

Code	Explanation
6 06	<b>REGULAR CYCLE PRICE</b>
6 06	Represents the number of quarters (coin 1) needed to start the dryer; may adjust from 0–39. (See b.xx setup for VALUE OF COIN 1.) Advance from 0–39 by pressing the WHITES AND COLORS keypad. Factory default of 6 x coin 1.
6 00	<b>PN/PR MODELS ONLY:</b> Factory default of 6 00, or 0 coins. <ul style="list-style-type: none"> <li>• Press the DELICATES keypad once to advance to next code.</li> </ul>
7 05	<b>REGULAR DRY TIME</b>
7 05	<b>PD MODELS:</b> Represents the number of minutes per coin one (coin 1). Factory default of 5 minutes per coin. Example: 6 coins x 5 minutes = 30 minutes. By pressing the WHITES AND COLORS keypad, value adjusts from 1–75 minutes.
7 45	<b>PN/PR MODELS:</b> Represents the cycle length for free cycles. Example: “7 45” = 45 minutes. <ul style="list-style-type: none"> <li>• Press the DELICATES keypad once to advance to next code.</li> </ul>
8 00	<b>TYPE OF DRYER PRICING</b>
8 00	Fixed Cycle with Top Off. For detailed description, see “General User Information.”
8 FC	<b>PN/PR MODELS ONLY:</b> Factory default of FC (Fixed Cycle). For detailed description, see “General User Information.” Use the STOP/PAUSE keypad to change this selection. <ul style="list-style-type: none"> <li>• Press the DELICATES keypad once to advance to next code.</li> </ul>
9 00	<b>CYCLE COUNTER OPTION</b> This option is either NOT SELECTED “OFF” or SELECTED “ON.”
9 00	Not Selected “OFF.”
9 0C	Selected “ON” and not able to be deselected. <ul style="list-style-type: none"> <li>• Press the STOP/PAUSE keypad 3 consecutive times to select “ON.” Once selected “ON,” it cannot be deselected.</li> <li>• Press the DELICATES keypad once to advance to next code.</li> </ul>

**If cycle counter (9 0C) is selected, the following is true:**

1 00	Cycles in HUNDREDS	1 <u>02</u> = 200
2 00	Cycles in ONES	2 <u>25</u> = 25
TOTAL CYCLES =		225

This is “VIEW ONLY” and cannot be cleared.

• Press the DELICATES keypad once to advance to next code.

Code	Explanation
1. 00	<b>MONEY COUNTER OPTION</b> This option is either NOT SELECTED “OFF” or SELECTED “ON.”
1. 00	Not Selected “OFF.”
1. 0C	Selected “ON.” <ul style="list-style-type: none"> <li>• Press the STOP/PAUSE keypad 3 consecutive times to select “ON” and 3 consecutive times to deselect (Not Selected “OFF”). Counter resets by going from “OFF” to “ON.”</li> </ul>
1. C0	Selected “ON” and not able to be deselected. <ul style="list-style-type: none"> <li>• To select “ON” and not able to be deselected, first select “ON”; then within 2 seconds, press the STOP/PAUSE keypad twice, the WHITES AND COLORS keypad once, and exit setup mode.</li> <li>• Press the DELICATES keypad once to advance to next code.</li> </ul>
2. 00	<b>SPECIAL PRICING OPTIONS</b> This option is either NOT SELECTED “OFF” or SELECTED “ON.”
2. 00	Not Selected “OFF.”
2. SP	Selected “ON.” <ul style="list-style-type: none"> <li>• Press the STOP/PAUSE keypad once to change this selection.</li> </ul>
<b>If SPECIAL PRICING OPTION is selected, there is access to codes “3.XX” through “9.XX.”</b>	
	<ul style="list-style-type: none"> <li>• Press the DELICATES keypad once to advance to next code.</li> </ul>

**If money counter (1.0C or 1.C0) is selected, the following is true:**

3 00	Currency amount in HUNDREDS	3 <u>01</u> = 100.00
4 00	Currency amount in ONES	4 <u>68</u> = 68.00
5 00	Currency amount in HUNDREDTHS	5 <u>75</u> = 00.75
TOTAL =		168.75

# ELECTRONIC CONTROL SETUP INSTRUCTIONS

Code	Explanation
<b>OPTIONS 3.XX – 9.XX TO USE IF SPECIAL PRICING IS SELECTED</b>	
3. 06	<b>SPECIAL CYCLE PRICE</b>
3. 06	Represents the number of coins (coin 1) to start the dryer; may adjust from 0–39. (See b.xx setup for VALUE OF COIN 1.) <ul style="list-style-type: none"> <li>• Advance from 0–39 by pressing the WHITES AND COLORS keypad. Factory default of 6 x coin 1.</li> </ul>
3. 00	<b>PN/PR MODELS ONLY:</b> Factory default of 0 coins. <ul style="list-style-type: none"> <li>• Press the DELICATES keypad once to advance to next code.</li> </ul>
4. 05	<b>SPECIAL DRY TIME</b>
4. 05	<b>PD MODELS:</b> Represents the number of minutes per coin (coin 1). <ul style="list-style-type: none"> <li>• Factory default of 5 minutes per coin. Example: 6 coins x 5 minutes = 30 minutes.</li> <li>• By pressing the WHITES AND COLORS keypad, the value can be adjusted from 1–75 minutes.</li> </ul>
4. 45	<b>PN/PR MODELS:</b> Represents the cycle length for free cycles. Example: “4 45” = 45 minutes. <ul style="list-style-type: none"> <li>• Press the DELICATES keypad once to advance to next code.</li> </ul>
5. 00	<b>TIME-OF-DAY CLOCK, MINUTES</b>
5. 00	This is the TIME-OF-DAY CLOCK, minute setting; select 0–59 minutes by pressing the WHITES AND COLORS keypad. <ul style="list-style-type: none"> <li>• Press the DELICATES keypad once to advance to next code.</li> </ul>
6. 00	<b>TIME-OF-DAY CLOCK, HOURS</b> <b>NOTE:</b> Uses military time or 24 Hours clock.
6. 00	This is the TIME-OF-DAY CLOCK, hour setting; select 0–23 hours by pressing the WHITES AND COLORS keypad. <ul style="list-style-type: none"> <li>• Press the DELICATES keypad once to advance to next code.</li> </ul>

Code	Explanation
<b>OPTIONS 3.XX – 9.XX TO USE IF SPECIAL PRICING IS SELECTED (CONT.)</b>	
7. 00	<b>SPECIAL PRICE START HOUR</b> <b>NOTE:</b> Uses military time or 24 hours clock.
7. 00	This is the start hour, 0–23 hours. <ul style="list-style-type: none"> <li>• Select START HOUR by pressing the WHITES AND COLORS keypad.</li> <li>• Press the DELICATES keypad once to advance to next code.</li> </ul>
8. 00	<b>SPECIAL PRICE STOP HOUR</b> <b>NOTE:</b> Uses military time or 24 hours clock.
8. 00	This is the stop hour, 0–23 hours. <ul style="list-style-type: none"> <li>• Select STOP HOUR by pressing the WHITES AND COLORS keypad.</li> <li>• Press the DELICATES keypad once to advance to next code.</li> </ul>
9. 10	<b>SPECIAL PRICE DAY</b>
9. 10	This represents the day of the week and whether special pricing is selected for that day. A number followed by “0” indicates no selection that particular day (9. 10). A number followed by an “S” indicates selected for that day (9. 1S).  Days of the week (1–7) are selected by pressing the WHITES AND COLORS keypad. Press the STOP/PAUSE keypad once to select special pricing for each day chosen.
When exiting setup code “9.”, the display must show the current day of week:	
DISPLAY	DAY OF WEEK      CODE (selected)
10	Day 1 = Sunday      1S
20	Day 2 = Monday      2S
30	Day 3 = Tuesday      3S
40	Day 4 = Wednesday      4S
50	Day 5 = Thursday      5S
60	Day 6 = Friday      6S
70	Day 7 = Saturday      7S
• Press the DELICATES keypad once to advance to next code.	
A. 00	<b>Vault Viewing Option</b> This option is either NOT SELECTED “OFF” or SELECTED “ON.”
A. 00	Not Selected “OFF.”
A. SC	Selected “ON.” <ul style="list-style-type: none"> <li>• Press the STOP/PAUSE keypad once to change this selection. When selected, the money and/or cycle counts will be viewable (if counter option(s) is selected) when the coin box is removed.</li> <li>• Press the DELICATES keypad once to advance to next code.</li> </ul>

# ELECTRONIC CONTROL SETUP INSTRUCTIONS

Code	Explanation	Code	Explanation
b. 05	<b>VALUE OF COIN 1</b>	J. Cd	Both coin and debit selected. (NOT AVAILABLE)
b. 05	This represents the value of coin 1 in the quantity of 5% increments of the larger coin value. 5 x 5% = 25%. <ul style="list-style-type: none"> <li>By pressing the WHITES AND COLORS keypad, there is an option of 1–199 for the quantity of 5% increments. With coin slide activation, this represents the total vend price.</li> <li>Press the DELICATES keypad once to advance to next code.</li> </ul>	J. C_	Coins selected, debit disabled. Press the STOP/PAUSE keypad 3 consecutive times to change this selection.
C. 20	<b>VALUE OF COIN 2</b>	J._d	<b>PN/PR models:</b> Factory default to J._d. Debit Card selected, coins disabled. Press the STOP/PAUSE keypad 3 consecutive times to change this selection.
C. 20	This represents the value of coin 2 in the quantity of 5% increments of the larger coin value. 20 x 5% = 100%.  By pressing the WHITES AND COLORS keypad, there is the option of 1–199 for the quantity of 5% increments.	J. Ed	Enhanced Debit is self-selected when a Generation 2 card reader is installed in the dryer. The Ed option cannot be manually selected or deselected. (NOT AVAILABLE) <ul style="list-style-type: none"> <li>Press the DELICATES keypad once to advance to next code.</li> </ul>
C. 05	<b>PN/PR MODELS:</b> This represents the value of coin 2 in the quantity of 5% increments of the larger coin value. Factory default = 5 x 5% of the larger coin value.  <b>PN/PR MODELS USING ENHANCED DEBIT:</b> This represents the value of top off in quantity of 5% increments of the larger coin value. Factory default = 5 x 5% of the larger coin value. <ul style="list-style-type: none"> <li>Press the DELICATES keypad once to advance to next code.</li> </ul>	L. 00	<b>PRICE SUPPRESSION OPTION</b> This option is either NOT SELECTED “OFF” OR SELECTED “ON.” This option causes the customer display to show “ADD” or “AVAILABLE” rather than the amount of money to add. (Used mainly in debit installations.)
d. 00	<b>COIN SLIDE OPTION</b> This option is either NOT SELECTED “OFF” or SELECTED “ON.” Replacement of meter case will be needed for coin slide mounting.	L. 00	Not Selected “OFF.”
d. 00	Not Selected “OFF.”	L. PS	Selected “ON.” <ul style="list-style-type: none"> <li>Press the STOP/PAUSE keypad once to change this selection.</li> <li>Press the DELICATES keypad once to advance to next code.</li> </ul>
d. CS	Selected “ON.”  <b>NOTE:</b> This option needs to be set to “00” unless the metercase has been changed to accept a coin slide device. <ul style="list-style-type: none"> <li>Press the STOP/PAUSE keypad 3 consecutive times for this selection. When coin slide mode is selected, set “b.” equal to value of slide in coins. Set “6 xx” (REGULAR CYCLE PRICE) and “3.xx” (SPECIAL CYCLE PRICE) to number of slide operations. 6 01 and 3. 01 = 1 slide push.</li> </ul> <b>NOTE:</b> If the installer sets up “CS” on a coin drop model, it will not register coins. <ul style="list-style-type: none"> <li>Press the DELICATES keypad once to advance to next code.</li> </ul>	n. CE	<b>CLEAR ESCROW OPTION</b> This option is either NOT SELECTED “OFF” OR SELECTED “ON.” When selected, money held in escrow for 30 minutes without further escrow or cycle activity will be cleared.
E. 00	<b>ADD COINS OPTION</b> This option is either NOT SELECTED “OFF” or SELECTED “ON.” This option causes the customer display to show the number of coins (coin 1) to enter, rather than the amount.	n. 00	Not Selected “OFF.”
E. 00	Not Selected “OFF.”	n. CE	Selected “ON.” <ul style="list-style-type: none"> <li>Press the STOP/PAUSE keypad once to change this selection.</li> <li>Press the DELICATES keypad once to advance to next code.</li> </ul>
E. AC	Selected “ON.” <ul style="list-style-type: none"> <li>Press the STOP/PAUSE keypad 3 consecutive times to change this selection.</li> </ul> <b>PN/PR MODELS:</b> This option is not selectable. <ul style="list-style-type: none"> <li>Press the DELICATES keypad once to advance to next code.</li> </ul>	U. 00	<b>COIN INCREMENT OFFSET</b>
J. Cd	<b>PAYMENT MODE (COIN/DEBIT OPTION)</b>	U. 00	This represents the hundredth increment price offset used in Generation 2 (Enhanced Debit) PN/PR models. Choose from 0–4 hundredths by pressing the WHITES AND COLORS keypad. (NOT AVAILABLE) <ul style="list-style-type: none"> <li>Press the DELICATES keypad once to advance to next code.END of SETUP PROCEDURES</li> </ul>
<b>EXIT FROM SETUP MODE</b>			
<ul style="list-style-type: none"> <li>PD MODELS: Reinstall access door.</li> <li>PN/PR Models where AA1 plug was removed: <ol style="list-style-type: none"> <li>Unplug dryer or disconnect power.</li> <li>Open console, reinsert jumper into AA1, and close console.</li> <li>Plug in dryer or reconnect power.</li> </ol> </li> <li>PN/PR WITH PROGRAMMING SWITCH: Turn key clockwise and remove.</li> <li>If Service Access Code was used to enter setup mode: From Setup Code 8, press keypad #1 for 4 seconds, wait 2 minutes without touching any keypads (without diagnostic modes running), or power down the dryer; then reapply power.</li> </ul>			

# SÉCURITÉ DE LA SÈCHEUSE

## Votre sécurité et celle des autres est très importante.

Nous donnons de nombreux messages de sécurité importants dans ce manuel et sur votre appareil ménager. Assurez-vous de toujours lire tous les messages de sécurité et de vous y conformer.



Voici le symbole d'alerte de sécurité.

Ce symbole d'alerte de sécurité vous signale les dangers potentiels de décès et de blessures graves à vous et à d'autres.

Tous les messages de sécurité suivront le symbole d'alerte de sécurité et le mot "DANGER" ou "AVERTISSEMENT". Ces mots signifient :

**⚠ DANGER**

Risque possible de décès ou de blessure grave si vous ne suivez pas immédiatement les instructions.

**⚠ AVERTISSEMENT**

Risque possible de décès ou de blessure grave si vous ne suivez pas les instructions.

Tous les messages de sécurité vous diront quel est le danger potentiel et vous disent comment réduire le risque de blessure et ce qui peut se produire en cas de non-respect des instructions.



## AVERTISSEMENT - "Risque d'incendie"

- L'installation de la sècheuse à linge doit être effectuée par un installateur qualifié.
- Installer la sècheuse conformément aux instructions du fabricant et aux codes locaux.
- Ne pas installer de sècheuse à linge avec des matériaux d'évacuation en plastique souple ou un conduit métallique souple (de type papier d'aluminium). Si un conduit métallique souple est installé, celui-ci doit être d'un type spécifique identifié par le fabricant de l'appareil et convenir à une utilisation avec les sècheuses à linge. Les matériaux d'évacuation souples sont connus pour s'affaisser, être facilement écrasés et bloquer la charpie. Ces situations obstrueront le débit d'air de la sècheuse à linge et augmenteront le risque d'incendie.
- Pour réduire le risque de blessure grave ou de décès, suivre toutes les instructions d'installation.
- Conserver ces instructions.



## AVERTISSEMENT – Risque d'incendie/ matières inflammables


Ceci est un symbole supplémentaire d'alerte de sécurité vous signalant un risque d'incendie.

### POUR VOTRE SÉCURITÉ

1. NE PAS UTILISER NI ENTREPOSER D'ESSENCE OU D'AUTRES MATÉRIAUX INFLAMMABLES À L'INTÉRIEUR OU À PROXIMITÉ DE CET APPAREIL.
2. NE PAS VAPORISER D'AÉROSOLS À PROXIMITÉ DE CET APPAREIL DURANT SON FONCTIONNEMENT.
3. NE PAS MODIFIER CET APPAREIL.

## IMPORTANTES INSTRUCTIONS DE SÉCURITÉ

**AVERTISSEMENT** : Afin de réduire le risque d'incendie, de décharge électrique ou de blessures lors de l'utilisation de la sècheuse, il convient d'observer certaines précautions fondamentales, notamment :

- Lire toutes les instructions avant d'utiliser la sècheuse. 
- Cette sècheuse est conçue uniquement pour le séchage de vêtements et de textiles ayant été nettoyés à l'eau. Ne pas l'utiliser à toute autre fin.
- Des articles ayant été au contact d'huile peuvent s'enflammer spontanément, surtout s'ils sont exposés à des sources de chaleur, comme celle que produit une sècheuse. Les articles chauffent, entraînant une réaction d'oxydation de l'huile. Le phénomène d'oxydation crée de la chaleur. Si la chaleur ne peut pas s'échapper, les articles peuvent devenir suffisamment chauds pour prendre feu. Le fait d'empiler d'entasser ou d'entreposer des articles ayant été au contact d'huile peut empêcher la chaleur de s'échapper et créer un risque d'incendie.
- Si l'on ne peut éviter que les tissus contenant de l'huile végétale ou de l'huile de cuisson ou des tissus ayant été contaminés par des produits de soins capillaires ne soient placés dans la sècheuse, on doit d'abord les laver dans de l'eau chaude et du détergent supplémentaire – ceci réduira (sans pour autant éliminer) le risque d'incendie.
- Ne pas sécher d'articles qui ont été précédemment nettoyés, lavés, trempés ou tachés avec du pétrole, des solvants pour nettoyage à sec ou d'autres substances inflammables ou explosives; ces substances dégagent des vapeurs qui pourraient s'enflammer ou exploser.
- Les articles comportant des taches de substances telles que l'acétone, l'alcool, le pétrole, le kérosène, les produits détachants, la térébenthine, la cire ou les décapants pour cire doivent être lavés à l'eau chaude avec du détergent supplémentaire avant d'être séchés dans la sècheuse.
- Ne pas faire sécher d'articles non lavés dans cette sècheuse.
- Ne pas utiliser cette sècheuse si on a utilisé des produits chimiques industriels pour le nettoyage. La présence éventuelle de quantités résiduelles de produits chimiques corrosifs ou décomposés dans la charge peut endommager la sècheuse et produire des fumées toxiques.
- Ne pas laisser des enfants jouer sur la sècheuse ou à l'intérieur de celle-ci. Une surveillance attentive des enfants est nécessaire lorsque la sècheuse est utilisée à proximité des enfants. Le nettoyage et l'entretien ne doivent pas être effectués par des enfants laissés sans surveillance. Les enfants de moins de 3 ans devraient être tenus à l'écart s'ils ne peuvent pas être surveillés en permanence.
- Ne pas utiliser la sècheuse si elle ne chauffe pas, si elle semble défectueuse ou endommagée. Contacter le propriétaire.
- Ne pas installer ou entreposer la sècheuse dans un endroit où elle serait exposée aux intempéries.
- Ne pas effectuer d'intervention non autorisée sur les commandes.
- Nettoyer le filtre à charpie de la sècheuse avant ou après chaque charge.
- Ne pas utiliser cette sècheuse si le filtre à charpie n'est pas installé.
- Ne pas réparer ou remplacer une quelconque pièce de la sècheuse ou effectuer tout entretien qui ne serait pas expressément recommandé dans le Guide d'utilisation et d'entretien ou dans des instructions de réparation par l'utilisateur que vous comprenez et que vous êtes capables d'exécuter.
- Les assouplissants pour tissu ou produits similaires doivent être utilisés selon les instructions de l'assouplissant pour tissu.
- Les articles tels que le caoutchouc mousse (mousse de latex), les bonnets de douche, les textiles imperméabilisés, les articles avec endos de caoutchouc et les vêtements ou oreillers rembourrés avec matelassage en mousse ne doivent pas être séchés dans le tambour de la sècheuse.
- La partie finale du programme de séchage par culbutage a lieu sans chaleur (programme de refroidissement) pour que les articles soient laissés à une température qui ne risque pas de les endommager.
- **AVERTISSEMENT** : Ne jamais arrêter une sècheuse en phase de culbutage avant la fin du programme de séchage, à moins de retirer et d'étendre rapidement tous les articles afin que la chaleur se dissipe. (Évitez les risques de combustion spontanée.)

**ENREGISTREZ CES INSTRUCTIONS  
- SUITE À LA PAGE SUIVANTE -**

# SÉCURITÉ DE LA SÈCHEUSE

- **AVERTISSEMENT** : Cet appareil ne doit pas être alimenté par un dispositif de commutation externe, comme une minuterie, ni raccordé à un circuit régulièrement ouvert et fermé par l'opérateur du réseau.
- En cas de coupure de l'alimentation électrique, retirer rapidement la charge et l'étaler pour éviter les risques de combustion spontanée.
- La zone située autour de l'ouverture d'évacuation et les zones adjacentes doivent être propres, exemptes de peluches et poussières.
- Les passages d'air à la base de l'appareil ne devraient pas être obstrués par un tapis ou un objet semblable.
- Cet appareil, bien que ce ne soit pas obligatoire, est conçu pour être utilisé dans un établissement public.
- Cette sècheuse ne convient pas à une utilisation par des personnes (y compris des enfants de 8 ans et plus) à capacités physiques, sensorielles ou mentales réduites, ou possédant un manque d'expérience et de connaissances, à moins qu'elles ne soient placées sous supervision ou qu'elles aient reçu des instructions concernant l'utilisation de la sècheuse par une personne responsable de leur sécurité.
- Retirer la porte du compartiment de la sècheuse avant de retirer la sècheuse pour un entretien ou de la mettre au rebut.
- Ne pas accéder à l'intérieur de la sècheuse pendant le fonctionnement du tambour.
- Ouvrir la porte de la sècheuse arrête la sècheuse.
- Lors du chargement ou du rechargement de la sècheuse, éviter de toucher les parties métalliques chaudes du tambour (risque de brûlure).
- Retirer tous les objets des poches comme les briquets et les allumettes.
- Si la rotation du tambour est entravée par des tissus coincés, déconnecter la sècheuse de l'alimentation électrique avant de retirer la source d'obstruction avec précaution.
- Si ce n'est pas possible en raison de la construction ou de l'installation de l'appareil, une déconnexion avec un système de verrouillage en position isolée sera fournie.
- Seules les pièces de remplacement autorisées devraient être utilisées en cas de défaillance.
- Cet appareil est muni d'une connexion de mise à la terre à des fins fonctionnelles seulement.
- Ne pas installer cette sècheuse derrière une porte pouvant être fermée à clé, une porte coulissante ou une porte avec charnière située du côté opposé à celui de la sècheuse de telle manière que la porte de la sècheuse ne puisse s'ouvrir complètement.
- L'air évacué ne doit pas être déchargé dans un conduit servant à l'évacuation de fumée provenant d'appareils ménagers à gaz ou autres combustibles.
- Les ouvertures de ventilation pour l'arrivée d'air frais dans la pièce et dans la sècheuse ne doivent pas être obstruées ou scellées.
- Commande d'arrêt d'urgence : Après l'installation, un accès permanent à la prise secteur ou à un interrupteur bipolaire coupant l'alimentation secteur doit être prévu pour permettre l'arrêt immédiat de la sècheuse en cas d'urgence.
- L'intérieur de la sècheuse et son conduit d'évacuation doivent être nettoyés régulièrement par un personnel d'entretien qualifié.
- Voir la section « Spécifications électriques » dans « Exigences d'installation » pour les instructions de mise à la terre.
- Une aération adéquate est nécessaire pour éviter le retour dans la pièce du gaz en provenance d'appareils ménagers utilisant des carburants comme combustible, y compris les feux ouverts.
- La sècheuse doit être débranchée de sa source de courant électrique durant les interventions de service et le remplacement des pièces.
- Voir la section DIMENSIONS/DISTANCES DE DÉGAGEMENT pour connaître les distances de dégagement minimums pour l'installation.
- Capacité de charge IEC : 10,5 kg.
- Cette sècheuse n'est pas munie d'un cordon d'alimentation et d'une fiche. Un moyen pour débrancher la source d'alimentation incluant une séparation des contacts de tous les pôles et qui fournit une coupure d'alimentation lors des conditions de surtension de catégorie III doit être fourni, sinon, le moyen pour débrancher la source doit être intégré au câblage fixe en respectant les réglementations de câblage.

**CONSERVER CES INSTRUCTIONS**

## MISE AU REBUT DE LA SÉCHEUSE



Le marquage de l'appareil est conforme à la directive européenne 2012/19/EU sur les équipements électroniques et électriques, pour gestion des déchets.

En veillant à l'élimination correcte de ce produit, vous éviterez d'éventuelles conséquences néfastes pour l'environnement et la santé humaine qui peuvent être associées au traitement inapproprié de ce produit lorsqu'il a été mis au rebut.

Le symbole figurant sur le produit ou dans les documents qui accompagnent le produit indique que cet appareil ne doit pas être traité comme déchet ménager; on doit plutôt le remettre à un centre de collecte spécialisé pour le recyclage des équipements électriques et électroniques.

L'élimination de ce produit après mise au rebut doit être effectuée conformément aux prescriptions de la réglementation locale de protection de l'environnement.

Pour l'information détaillée concernant le traitement, le recyclage et la récupération de ce produit, contacter la municipalité locale, le service d'élimination des déchets ménagers, ou le commerçant qui a vendu le produit.

### NOMENCLATURE DES MODÈLES :

**MDE** – Sécheuse Maytag – Électrique

**## (p. ex., 28)** – Numéro de type de modèle

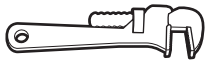
**PN** – Commande électronique – Sans paiement

**PD** – Commande électronique – Chute de pièces activée

**PR** – Commande électronique – compatible carte de débit

# OUTILS ET PIÈCES

## Outils requis :



Clé à tuyau de 8 po ou 10 po



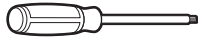
Clé à molette de 8 po ou 10 po dont la mâchoire s'ouvre de (1 po)



Tournevis à tête plate



Tournevis à tête cruciforme



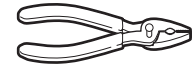
Tournevis ou embout de sécurité TORX† T20



Clé à douille de 1 po



Clé à douille de 5/16 po



Pince (ouverture jusqu'à 1 9/16 po)



Niveau



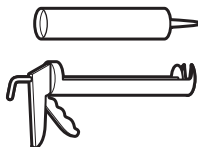
Couteau tout usage



Tourne-écrou de 1/4 po



Pince multiprise



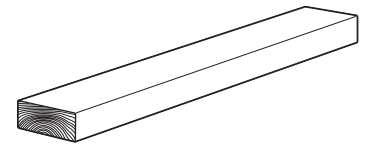
Pistolet à calfeutrage et composé de calfeutrage (pour l'installation d'un nouveau conduit d'évacuation)



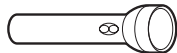
Brides de conduit



Composé d'étanchéité des tuyauteries résistant au type de gaz utilisé



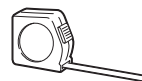
Cale de bois de 27 po



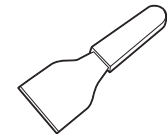
Lampe de poche (facultative)



Clés ouvertes de 1 po



Règle ou ruban à mesurer



Couteau à mastic

## Pièces fournies :

- Capuchons bottines (4)
- Pieds de nivellement (4)
- Modèles PN/PR : boîtier du lecteur de carte, matériel

**REMARQUE :** Le schéma du circuit électrique de cette sècheuse est situé à l'intérieur du panneau latéral, dans les fiches techniques.

### Caractéristiques techniques :

220 V-240 V ~50 HZ 4575 W

Poids total : 69 kg maximum

## SPÉCIFICATIONS

Ces appareils sont vendus dans diverses régions aux critères de capacité de mesure différents. Vous trouverez ci-dessous quelques-unes des formes de mesures valables indiquées sur ce produit :

**Capacité vêtements secs :** Mesure de poids correspondant à un seuil minimal de volume de linge sec, nécessaire à des fins de calcul des droits de douane.

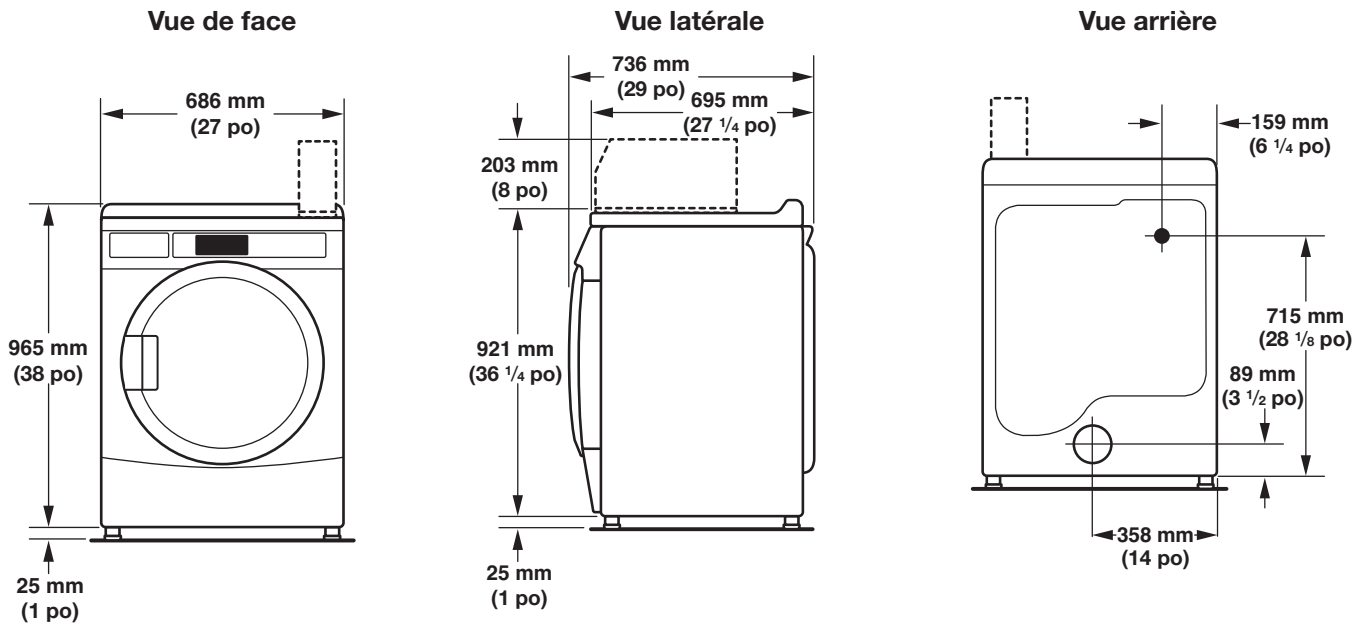
**Capacité IEC :** Mesure de capacité représentant la capacité maximale de vêtements secs et de textiles pour lesquels le fabricant conseille un programme spécifique de traitement.

<b>Capacité linge sec</b>
10,5 kg (23 lb)
<b>Capacité IEC</b>
10,5 kg (23 lb)
<b>Niveau sonore</b>
LpA : 58 dB(A) {kPa+/-10 dB(A)}

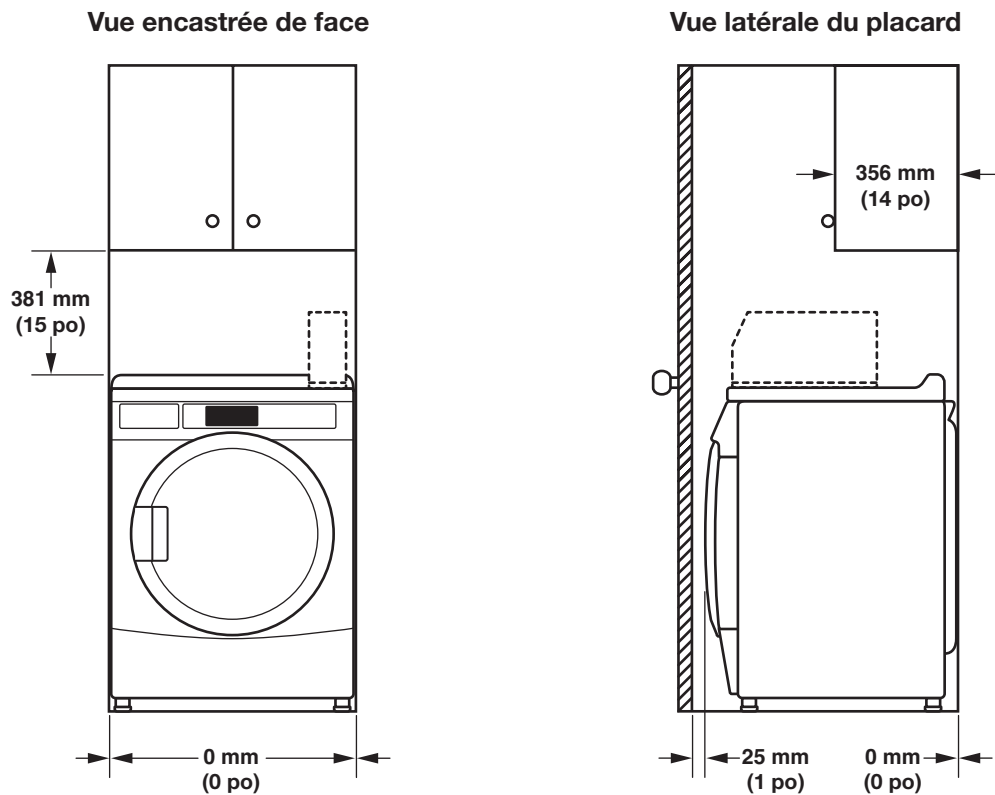
†TORX est une marque déposée d'Acument Intellectual Properties, LLC.

# DIMENSIONS/DISTANCES DE DÉGAGEMENT

## Dimensions



## Dégagements



# EXIGENCES D'INSTALLATION

## Lieu

### **⚠ AVERTISSEMENT**



#### **Risque d'explosion**

**Garder les matières et les vapeurs inflammables, telle que l'essence, loin du sèche-linge.**

**Ne pas installer dans un garage.**

**Le non-respect de ces instructions peut causer un décès, une explosion ou un incendie.**

La sècheuse peut être installée dans un sous-sol, une salle de buanderie ou un encastrement.

Il faut aussi prendre en compte les exigences d'emplacement des appareils voisins.

**IMPORTANT :** Ne pas installer ou entreposer la sècheuse dans un endroit où elle serait exposée aux intempéries. C'est à l'utilisateur qu'incombe la responsabilité de réaliser une installation correcte.

#### **Il faut :**

- Un plancher de niveau ayant une pente maximale de 25 mm (1 po) sous l'ensemble de la sècheuse. L'installation de la sècheuse sur une surface molle, comme un tapis ou un plancher avec sous-couche en mousse, n'est pas recommandée.
- Un plancher robuste et solide capable de soutenir le poids total de la sècheuse (charge) de 204 kg (450 lb).

#### **Distances de dégagement à respecter**

- L'emplacement doit être assez grand pour permettre d'ouvrir complètement la porte de la sècheuse.
- Prévoir davantage d'espace pour faciliter l'installation et l'entretien. La porte ouvre de plus de 180°.
- Un espace supplémentaire peut être requis pour les moulures de porte et de plancher et pour les plinthes.
- Un espace supplémentaire de 25 mm (1 po) de tous les côtés de la sècheuse est recommandé pour réduire le transfert du bruit.
- Il faut aussi prendre en compte l'espace requis entre les appareils voisins.

#### **Instructions d'installation dans un encastrement ou une armoire**

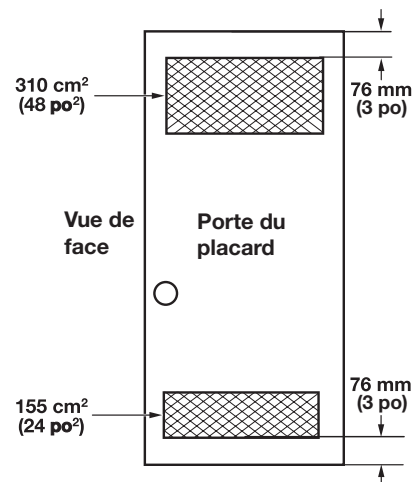
Cette sècheuse peut être installée dans un encastrement ou une armoire. L'appareil ne doit pas être installé derrière une porte verrouillable, une porte coulissante ou une porte dont les charnières sont du côté opposé à celle de la sècheuse, ce qui serait susceptible d'empêcher l'ouverture complète de la porte de la sècheuse. Pour les installations dans un encastrement ou une armoire, les distances de dégagement minimales sont indiquées sur l'étiquette d'avertissement à l'arrière de la sècheuse ou à la section « Dimensions/distances de dégagement ».

Les dimensions d'installation sont en millimètres et constituent le minimum applicable. Un espace supplémentaire peut être nécessaire pour faciliter l'installation, l'entretien et pour observer les codes et règlements locaux.

Si l'on installe une porte de placard, des ouvertures d'aération minimales non obstruées sont nécessaires en haut et en bas de la porte comme indiqué dans le schéma ci-dessous. Les portes à claire-voie offrant des ouvertures équivalentes sont acceptables.

La sècheuse doit évacuer à l'extérieur.

**REMARQUE :** Pour une installation en Australie et en Nouvelle-Zélande, consulter les exigences d'évacuation de la norme AS/NZS 5601.1.



**REMARQUE :** Cette sècheuse n'est pas conçue pour être installée sur une laveuse.

## Spécifications électriques

### ⚠ AVERTISSEMENT



#### Tension Électrique Dangereuse

Cette sècheuse est livrée sans câble d'alimentation électrique et sans fiche. Il doit être raccordé par un électricien compétent à une source d'alimentation électrique monophasée, au voltage indiqué sur la plaque signalétique et au moyen d'une installation électrique fixe adéquate, conformément aux règlements locaux et nationaux.

- Un cordon circulaire à 3 fils avec conducteur d'un calibre minimal de 4 mm<sup>2</sup> à la section transversale doit être utilisé.
- On doit utiliser un fusible d'alimentation de 30 A, et un commutateur avec une séparation de contact dans les deux pôles qui assure une déconnexion totale dans des conditions de survoltage de catégorie III doit être incorporé dans le câblage fixe, conformément aux règlements locaux en matière de raccordement. La sècheuse doit être placée de façon à ce que le commutateur de déconnexion soit clairement visible et facile d'accès pour l'utilisateur. Ce sectionneur remplit également la fonction de commande d'arrêt d'urgence pour l'utilisateur.
- Une bride de serrage de cordon est fournie sur le sèche-linge et elle doit être serrée à la fin du câblage. Les bornes électriques principales sont situées derrière le petit panneau d'accès arrière (couvercle de bornier), les raccordements devraient être effectués en respectant les repères des bornes. Ne pas oublier de replacer le couvercle de bornier.

**REMARQUE :** Selon les dispositions de la directive européenne EMC (2014/30/EU), l'impédance maximale du réseau d'alimentation électrique auquel le sèche-linge électrique doit être connecté est de  $0,054 \Omega + j0,034 \Omega$ .

**REMARQUE :** Normes de sécurité électriques : Pour ce produit, le fabricant a estimé que la mise en conformité aux normes IEC/EN.60335 était la plus appropriée.

### ⚠ AVERTISSEMENT



#### Risque de choc électrique

**Cet appareil est un appareil à 3 fils qui doit être mis à la terre.**

**Serrer fermement toutes les connexions électriques.**

**Le non-respect de ces instructions peut entraîner la mort, un incendie ou un choc électrique.**

Si les codes le permettent et si un conducteur supplémentaire de mise à la terre est utilisé, il est recommandé qu'un électricien qualifié inspecte le parcours du fil de mise à la terre.

#### Méthode recommandée de mise à la terre

Il incombe à l'utilisateur de contacter un électricien qualifié afin de veiller à ce que l'installation électrique soit réalisée de façon adéquate et en conformité avec les exigences de tous les codes et règlements locaux.

- Ne pas mettre à la terre un tuyau de gaz

# EXIGENCES CONCERNANT L'ÉVACUATION

## ⚠ AVERTISSEMENT



### Risque d'incendie

Utiliser un conduit d'évacuation en métal lourd.

Ne pas utiliser un conduit d'évacuation en plastique.

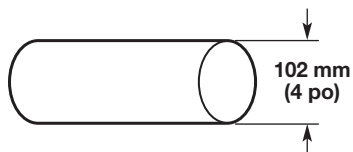
Ne pas utiliser un conduit d'évacuation en feuille de métal.

Le non-respect de ces instructions peut causer un décès ou un incendie.

**AVERTISSEMENT :** Pour réduire le risque d'incendie, cette sècheuse doit ÉVACUER L'AIR À L'EXTÉRIEUR.

**IMPORTANT :** Observer les dispositions de tous les codes et règlements en vigueur.

- Si l'on suit ces spécifications d'évacuation, le bruit produit par les conduits sera minimisé.
- L'air évacué ne doit pas être déchargé dans un conduit servant à l'évacuation de fumée provenant des appareils ménagers à gaz ou autres combustibles, y compris les feux ouverts (la circulation d'air disponible dans la pièce doit correspondre à l'évacuation d'air de la pièce).
- Une aération adéquate est nécessaire pour éviter le retour dans la pièce du gaz en provenance d'appareils ménagers utilisant d'autres carburants comme combustible, y compris les feux ouverts.
- Le conduit d'évacuation de la sècheuse ne doit pas être raccordé à une évacuation de gaz, une cheminée, un mur, un plafond, un grenier, un vide sanitaire ou un vide de construction. Seul un conduit d'évacuation métallique rigide ou souple doit être utilisé pour le système d'évacuation.
- Ne pas utiliser un clapet d'évacuation à fermeture magnétique.



Conduit d'évacuation en métal lourd de 102 mm (4 po)

- Utiliser uniquement un conduit d'évacuation en métal lourd de 102 mm (4 po) et des brides de serrage.
- Ne pas utiliser de conduit de plastique ou de métal très mince.

### Conduit métallique rigide :

- Recommandé pour une performance de séchage idéale afin d'éviter tout écrasement ou toute déformation.

**Conduit métallique flexible :** (Acceptable uniquement si l'accès reste facile pour le nettoyage)

- Doit être entièrement déployé et soutenu à l'emplacement d'installation final de la sècheuse.

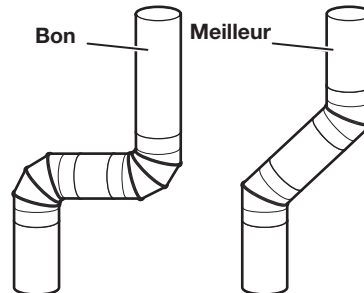
- Enlever tout excès de conduit flexible pour éviter tout affaissement et toute déformation susceptible de réduire la capacité d'évacuation et le rendement.
- Ne pas installer le conduit métallique flexible dans des cavités fermées de murs, plafonds ou planchers.
- La longueur totale ne doit pas dépasser 2,4 m (7 3/4 pi).
- Terminer le conduit d'évacuation par un clapet de décharge pour empêcher les rongeurs et les insectes d'entrer dans le bâtiment.

### REMARQUES :

- Bien que chaque sècheuse à une seule charge devrait comporter une ouverture d'air non obstruée de 24 po<sup>2</sup> (154 cm<sup>2</sup>) (selon la mesure de 1 po<sup>2</sup> [6,5 cm<sup>2</sup>] pour 1 000 BTU [252 kcal]), les ouvertures d'air d'appoint communes sont aussi acceptables. Installer des ouvertures communes de sorte que l'air d'appoint soit distribué uniformément à toutes les sècheuses. Garder à l'esprit que la zone de couverture doit être augmentée de 33 % pour tenir compte de l'utilisation de registres ou de persiennes sur les ouvertures. De plus, les ouvertures d'air d'appoint ne doivent pas être installées près de l'emplacement des conduits d'évacuation à l'extérieur du bâtiment.
- Lors de l'utilisation d'un système d'évacuation existant, nettoyer et éliminer la charpie sur toute la longueur du système, et veiller à ce que l'évent d'évacuation ne soit pas obstrué par de la charpie. Remplacer tout conduit de plastique ou en aluminium par un conduit métallique rigide ou souple. Consulter à nouveau le tableau des systèmes d'évacuations et modifier le système d'évacuation existant au besoin pour obtenir un meilleur séchage.

### Coudes :

- Les coudes à 45° permettent une meilleure circulation de l'air que les coudes à 90°.



- Planifier l'installation pour introduire le nombre minimal de coudes et de changements de direction.
- Si des coudes ou changements de direction sont utilisés, prévoir autant d'espace que possible. Plier le conduit graduellement pour éviter de le déformer.
- La sortie d'évacuation est située derrière la sècheuse, en bas au centre.
- On peut acheminer le conduit d'évacuation vers le haut, vers le bas, vers la gauche, vers la droite ou en ligne droite depuis l'arrière de la sècheuse.

### Brides de serrage :

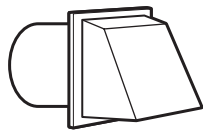
- Utiliser des brides pour sceller tous les joints.
- Le conduit d'évacuation ne doit pas être raccordé ou fixé avec des vis ou tout autre dispositif de serrage qui se prolongerait à l'intérieur du conduit et retiendrait la charpie. Ne pas utiliser de ruban adhésif pour conduit.



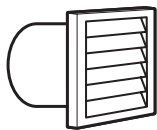
# EXIGENCES CONCERNANT L'ÉVACUATION

## Hottes d'extraction

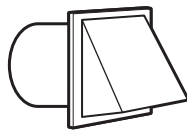
### Diamètre de l'évent de conduit d'évacuation de 102 mm (4 po)



Évent carré

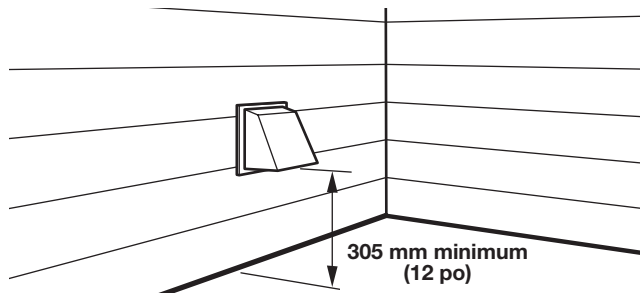


Évent à lames



Évent incliné

L'évent d'évacuation doit être situé à au moins 305 mm (12 po) du sol ou d'un objet qui pourrait nuire à l'évacuation (comme des fleurs, des roches, des buissons ou de la neige).



## Longueur du système d'évacuation

### Longueur maximale du conduit/raccord

La longueur maximale du système d'évacuation dépend du type d'évacuation utilisé, du nombre de coudes et du type d'évent.

Tableau du système d'évacuation (évent en métal rigide)

Nombre de coudes à 90°	Évent carré et à lames	Type incliné
0	39,6 m (130 pi)	39,3 m (129 pi)
1	38,1 m (125 pi)	36,3 m (119 pi)
2	35,1 m (115 pi)	33,2 m (109 pi)
3	32,3 m (106 pi)	30,5 m (100 pi)
4	29,9 m (98 pi)	28,0 m (92 pi)

Pour les systèmes d'évacuation autres que ceux indiqués dans le « Tableau des systèmes d'évacuation », consulter le revendeur de pièces.

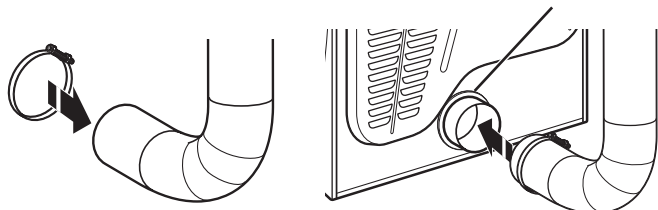
Prévoir un espace suffisant pour la combustion et la ventilation de l'air. (Vérifier les dispositions des codes et règlements en vigueur.) Voir le point « Instructions d'installation dans un encastrement ou une armoire » dans la section « Emplacement ».

Il est préférable d'utiliser un évent d'évacuation de 102 mm (4 po). Cependant, on peut utiliser un évent d'évacuation de 64 mm (2 1/2 po). Une sortie de 64 mm (2 1/2 po) cause davantage de contre-pression que les autres types d'installation. Pour une installation permanente, un système d'évacuation fixe est requis.

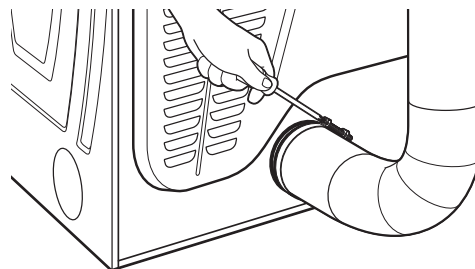
### Raccordement du conduit d'évacuation

1. Si on utilise le conduit d'évacuation existant, s'assurer qu'il est propre.
2. À l'aide d'une bride de fixation de 102 mm (4 po), relier le conduit d'évacuation à la bouche d'évacuation de la sècheuse.

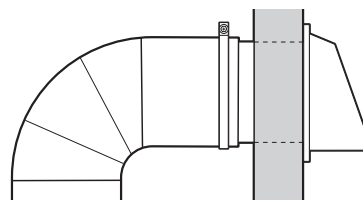
Raccord de sortie



3. Serrer la bride de serrage de tuyau avec un tournevis cruciforme.



4. S'assurer que le conduit d'évacuation est fixé à l'évent d'évacuation à l'aide d'une bride de fixation de 102 mm (4 po).



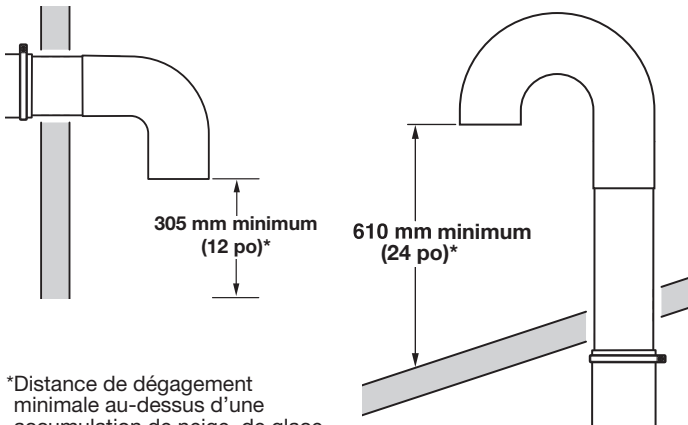
5. Déplacer la sècheuse à son emplacement final. Ne pas écraser ni pincer le conduit d'évacuation. Vérifier que la sècheuse est d'aplomb.

**REMARQUE :** Ne pas enlever le raccord de sortie.

# EXIGENCES CONCERNANT L'ÉVACUATION

## Si on ne peut pas utiliser d'évent d'évacuation

L'extérieur du conduit d'évacuation principal doit comporter un conduit de déviation orienté vers le bas.



\*Distance de dégagement minimale au-dessus d'une accumulation de neige, de glace ou de débris comme des feuilles

Si le conduit principal monte verticalement à travers le toit et non à travers le mur, installer un coude de déviation à 180° à l'extrémité du conduit situé au moins à 610 mm (24 pi) au-dessus de la surface ou du toit.

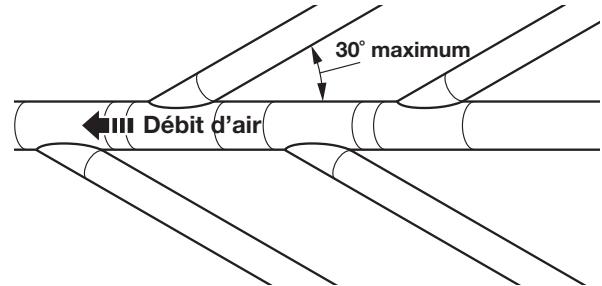
Le diamètre de l'ouverture dans le toit ou le mur doit être plus grand de 13 mm (1/2 po) que celui du conduit. Le conduit doit être centré dans l'ouverture.

Pour de meilleures performances, ne pas installer de grillage à l'extrémité de l'évacuation.

## Évacuation pour plusieurs sècheuses

On peut utiliser un conduit principal pour assurer l'évacuation d'un ensemble de sècheuses. La taille du conduit principal doit permettre une évacuation de 5 663 L/min (200 pi<sup>3</sup>/min) d'air par sècheuse. On peut utiliser des filtres à charpie haute capacité correctement conçus dans le conduit principal s'ils sont inspectés et nettoyés régulièrement. La pièce dans laquelle se trouvent les sècheuses doit comporter un système d'air d'appoint au moins égal au pi<sup>3</sup>/min de toutes les sècheuses qui se trouvent dans la pièce.

Un ensemble de clapet antireflux peut être achetées chez votre fournisseur et devrait être installé dans l'évacuation de chaque sècheuse pour empêcher l'air évacué de revenir dans les sècheuses et pour équilibrer l'évacuation du conduit principal. Des ouvertures dégagées pour le retour d'air sont nécessaires.



Chaque sortie d'évacuation devrait pointer dans la direction de l'évacuation. Les évacuations par l'autre côté doivent être placées en quinconce (décalées) pour réduire les interférences avec l'air sortant des autres évacuations en face.

L'inclinaison maximale de chaque conduit qui pénètre dans le conduit principal ne doit pas dépasser 30°.

Veiller à ce que les ouvertures de passage d'air demeurent exemptes de vapeurs de solvants de nettoyage à sec. Les vapeurs sont source de formation de composés acides, dont l'introduction par les modules de chauffage de la sècheuse peut provoquer la détérioration de la sècheuse et du linge en cours de séchage.

Le conduit d'évacuation principal devrait comporter un couvercle amovible, ce qui permet le nettoyage périodique du circuit d'extraction.

# INSTALLATION DES PIEDS DE NIVELLEMENT DU DISPOSITIF DE PAIEMENT ET DE LA CAISSE À MONNAIE

Le dispositif de paiement, le verrou et la clé du panneau de commande ainsi que le verrou et la clé de la boîte à monnaie ne sont pas inclus, mais sont disponibles auprès des fournisseurs industriels courants.

## **⚠️ AVERTISSEMENT**

### **Risque du poids excessif**

**Utiliser deux ou plus de personnes pour déplacer et installer la sècheuse.**

**Le non-respect de cette instruction peut causer une blessure au dos ou d'autre blessure.**

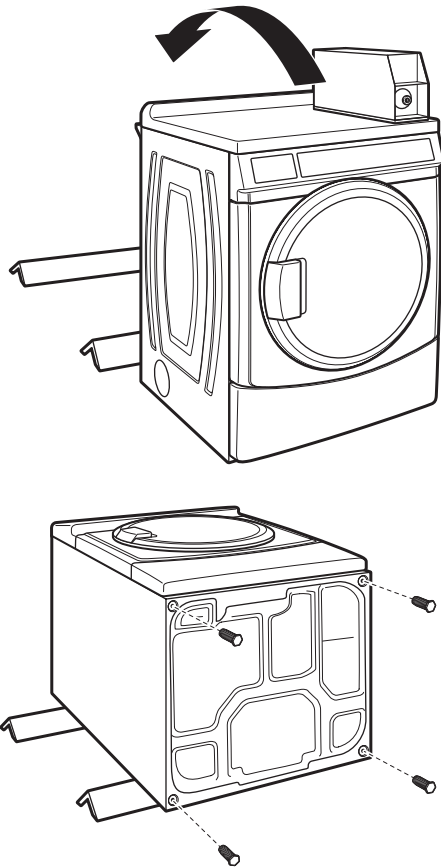
### **1. Préparation de la sècheuse pour les pieds de nivellement**

**REMARQUE :** Faire glisser la sècheuse sur le carton ou le panneau dur avant de la déplacer pour éviter d'endommager la surface du plancher.

À l'aide d'au moins deux personnes, déplacer la sècheuse à l'emplacement d'installation souhaité.

Retirer le ruban des coins avant de la sècheuse. Ouvrir la sècheuse et ôter les sachets de pièces et le document de référence. Essuyer l'intérieur du tambour avec un chiffon humide pour éliminer toute trace de poussière.

Utiliser deux coins en carton de la boîte d'emballage de la sècheuse et les placer sur le plancher, à l'arrière de la sècheuse. Saisir fermement le corps de la sècheuse et l'allonger doucement sur sa partie postérieure sur les coins de carton.

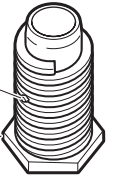


### **2. Vissage des pieds de nivellement**

Examiner les pieds de nivellement pour trouver le repère en forme de diamant. Introduire manuellement les pieds dans les trous des pieds. Utiliser une clé à molette ou un embout de clé à douille de 25 mm (1 po) pour faire tourner les pieds jusqu'à ce que le repère en forme de diamant ne soit plus visible. Placer ensuite un capuchon bottine sur chaque pied. Un pied de nivellement plus long (numéro de pièce 279810) est disponible si nécessaire pour des planchers en pente à un degré extrême.

**Symbole de losange**

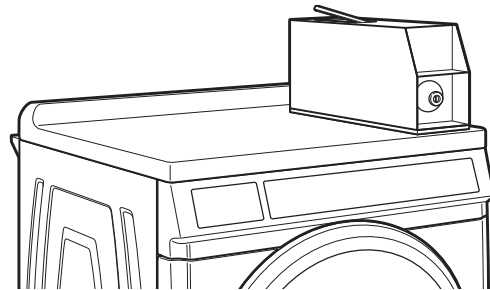
**Pied**



Pour protéger le plancher, utiliser un grand morceau de carton provenant de l'emballage de la sècheuse. Redresser la sècheuse sur le morceau de carton. Faire glisser la sècheuse jusqu'à ce qu'elle se trouve à proximité de son emplacement final. Laisser suffisamment d'espace pour pouvoir réaliser le raccordement électrique et du conduit d'évacuation.

### **3. Installation du dispositif de paiement et de la caisse à monnaie**

Enlever la porte d'entretien du compteur en la soulevant par l'arrière. Le cas échéant, installer le dispositif de réception de la monnaie. (Consulter les instructions du fabricant concernant l'installation.)



Réinstaller la porte d'entretien du compteur. Installer la chambre à pièces avec son verrou et sa clé dans l'ouverture du boîtier du compteur.

Retirer le carton ou le panneau dur situé sous la sècheuse. Ajuster les pieds de la sècheuse jusqu'à ce qu'elle soit d'aplomb.

# MISE À NIVEAU

Niveler votre sècheuse pour réduire de façon adéquate le niveau sonore et les vibrations excessifs.

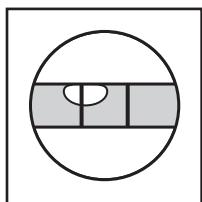
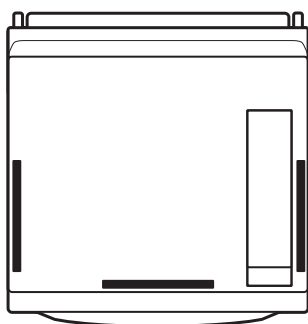
## **AVERTISSEMENT**

### Risque du poids excessif

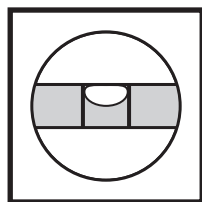
**Utiliser deux ou plus de personnes pour déplacer et installer la sècheuse.**

**Le non-respect de cette instruction peut causer une blessure au dos ou d'autre blessure.**

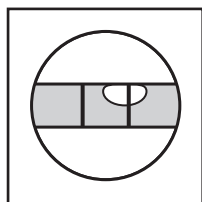
1. Enlever le morceau de carton placé sous la sècheuse. Placer un niveau sur les bords supérieurs de la sècheuse en vérifiant chaque côté et l'avant. Si elle n'est pas d'aplomb, faire basculer la sècheuse et régler les pieds vers le haut ou vers le bas tel qu'indiqué dans les étapes 3 et 4, et recommencer si nécessaire.



Pas d'aplomb

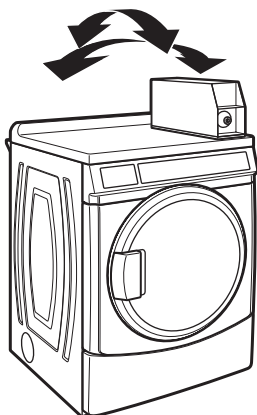


**D'APLOMB**



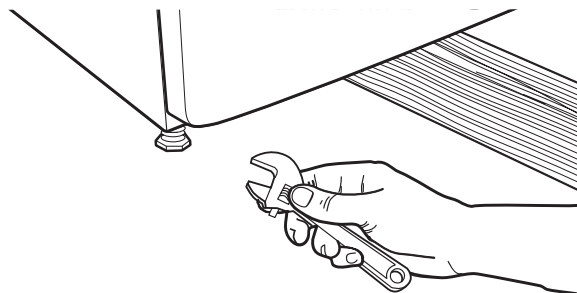
Pas d'aplomb

2. Saisir la sècheuse par le dessus et la faire basculer d'avant en arrière tout en s'assurant que les quatre pieds sont en contact ferme avec le sol. Faire de nouveau basculer la sècheuse transversalement. Si la sècheuse bascule, passer à l'étape 3 et ajuster les pieds de nivellement. Si les quatre pieds sont en contact ferme avec le sol, passer à l'étape 4.



3. Si la sècheuse n'est pas d'aplomb, retirer le capuchon bottine en caoutchouc si utilisé; utiliser ensuite une clé à molette ou une clé à douille de 25 mm (1 po) pour faire tourner les pieds jusqu'à la fin du réglage. Vérifiez l'aplomb de la sècheuse une fois que tous les pieds sont fermement en contact avec le sol et que le niveau indique que le haut de la sècheuse est de niveau (avant/arrière et gauche/droite).

**CONSEIL UTILE :** Il serait judicieux de soulever l'avant de la sècheuse d'environ 102 mm (4 po) à l'aide d'un bloc de bois ou un objet semblable qui pourra soutenir le poids de l'appareil.



4. Après que l'aplomb de la sècheuse a été établie que les quatre pieds sont en contact ferme avec le sol, tourner les écrous sur les pieds de nivellement à l'aide d'une clé à fourche ou d'une clé à molette de 1 po ou 25 mm jusqu'à ce qu'ils soient bien serrés contre la caisse de la sècheuse.

**CONSEIL UTILE :** On devra peut-être de nouveau soulever légèrement la sècheuse à l'aide d'une cale de bois.

### **⚠ AVERTISSEMENT**



#### **Risque de choc électrique**

**Cet appareil est un appareil à 3 fils qui doit être mis à la terre.**

**Serrer fermement toutes les connexions électriques.**

**Le non-respect de ces instructions peut entraîner la mort, un incendie ou un choc électrique.**

1. Consulter les spécifications électriques. S'assurer de disposer d'une source d'électricité appropriée et d'une liaison à la terre conforme à la méthode recommandée. Consulter les « Spécifications électriques ».

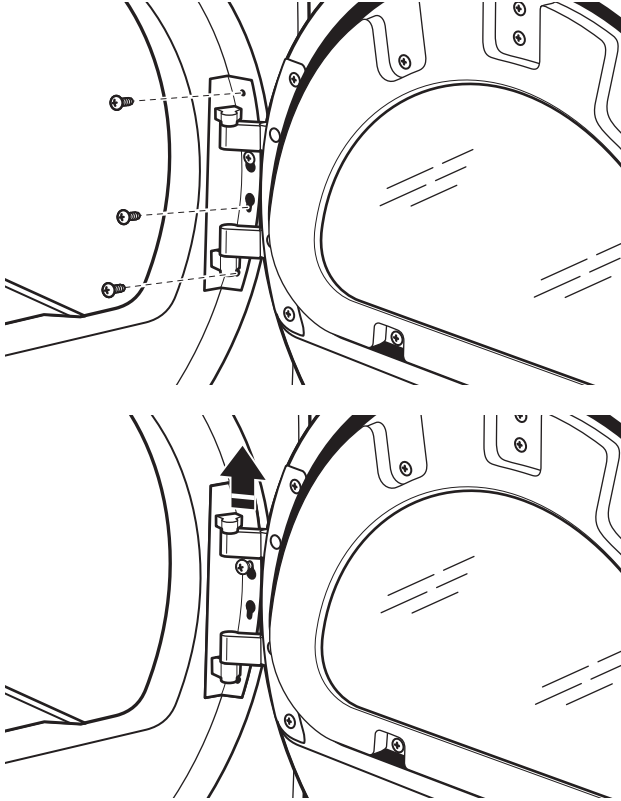
2. Vérifier que toutes les pièces sont maintenant installées. S'il reste une pièce, passer en revue les différentes étapes.
3. Vérifier la présence de tous les outils.
4. Éliminer/recycler tous les matériaux d'emballage.
5. Rétablir l'alimentation électrique.
6. Vérifier le bon fonctionnement de la sècheuse. Choisir un programme avec niveau de chaleur maximal et laisser la sècheuse fonctionner pendant au moins cinq minutes. La sècheuse s'arrête une fois la durée écoulée.
7. Ne pas mettre à la terre un tuyau de gaz

**REMARQUE :** La porte de la sècheuse doit être fermée pour que celle-ci puisse fonctionner. Si l'on ouvre la porte, la sècheuse s'arrête, mais la minuterie continue à fonctionner. Pour redémarrer la sècheuse, fermer la porte et appuyer sur la touche de programme souhaité.

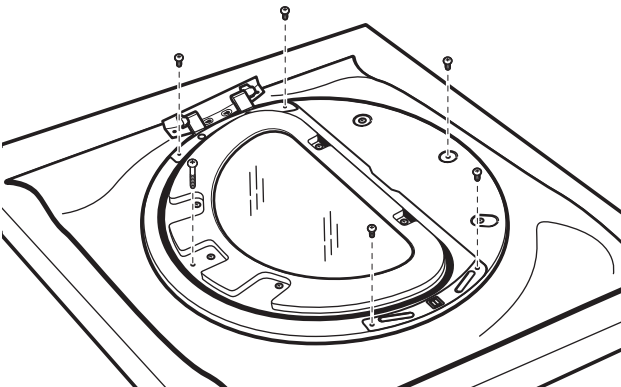
# INVERSION DU SENS D'OUVERTURE DE LA PORTE (FACULTATIF)

## Retrait de la porte

1. Placer une serviette ou un chiffon doux sur le dessus de la sécheuse ou du plan de travail pour éviter d'érafler la surface.
2. Enlever 3 des 4 vis qui maintiennent la charnière de la porte sur le panneau avant de la sécheuse. Desserrer partiellement la vis restante dans l'ouverture en forme de trou de serrure et soulever la porte pour la dégager de la vis.

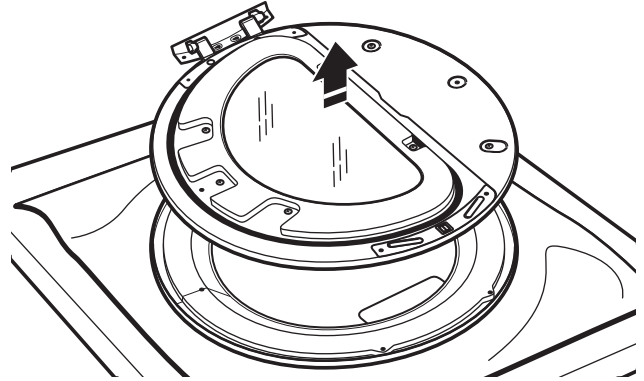


3. Poser la porte sur une surface plane préparée à l'avance en orientant l'intérieur (partie interne de la porte) vers le haut et retirer les 6 vis cruciformes pour séparer la partie externe de la porte de la partie interne.

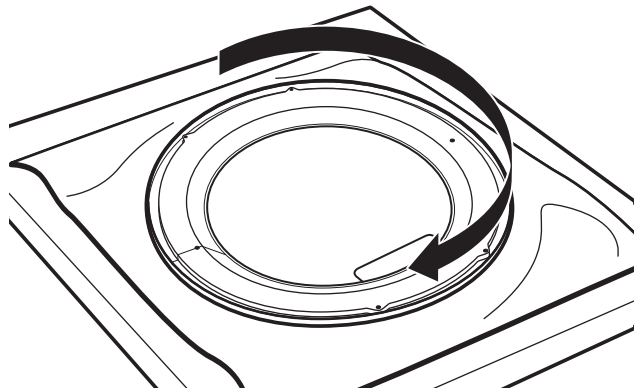


**REMARQUE :** Il est important d'enlever uniquement les 6 vis indiquées.

4. Soulever la partie interne de la porte hors de la partie externe.

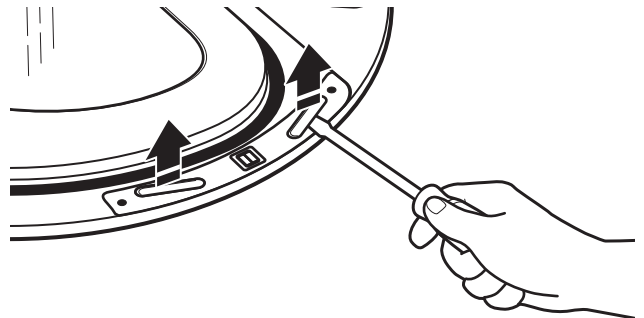


5. Faire pivoter la partie externe de 180°.

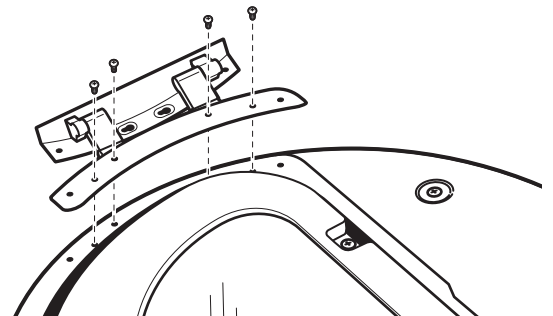


## Inversion de la charnière

1. Utiliser un petit tournevis à lame plate pour enlever 2 pitons d'obturation de la partie interne de la porte. Faire glisser la tête du tournevis sous les pitons, en veillant à ne pas érafler la partie interne de la porte et soulever la languette.

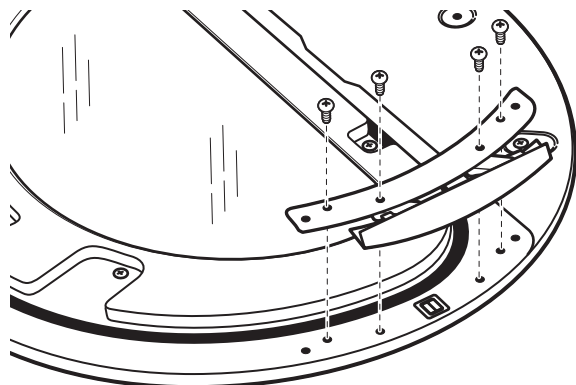


2. Retirer les 4 vis fixant la charnière de porte interne.

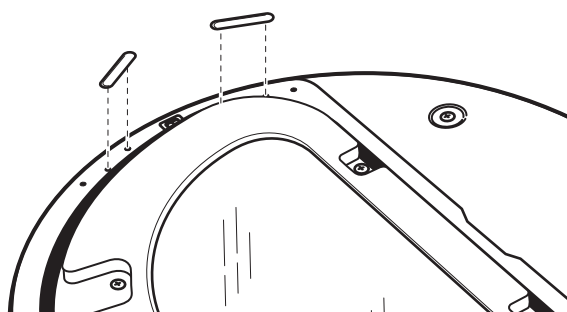


# INVERSION DU SENS D'OUVERTURE DE LA PORTE (FACULTATIF)

3. Déplacer la charnière de l'autre côté. Réinstaller les 4 vis.



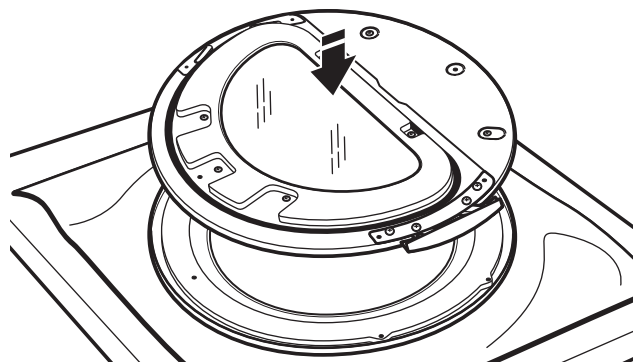
4. Réinstaller les pitons d'obturation sur le côté opposé de la porte interne.



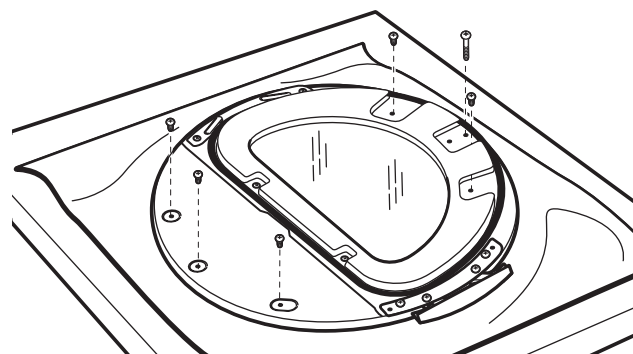
5. Vérifier qu'il n'y a pas de marques de doigts sur le verre. Nettoyer au besoin.

## Replacer la porte

1. Placer la partie interne de la porte à l'intérieur de la partie externe.

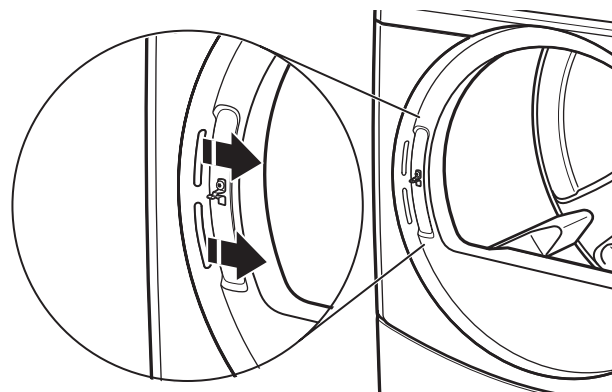


2. Assembler de nouveau les parties interne et externe de la porte avec les 6 vis.

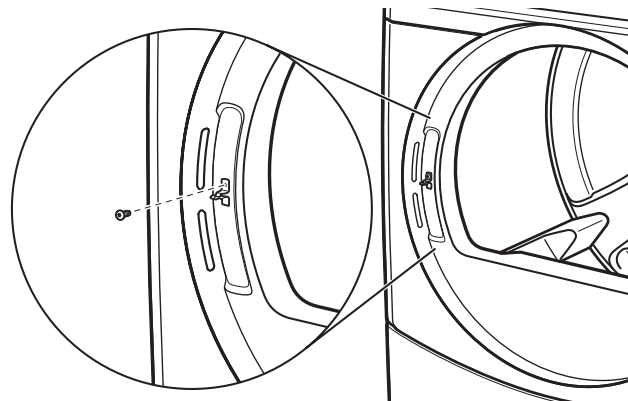


## Inversion de la gâche

1. Retirer les étiquettes pour exposer les trous des charnières.



2. Retirer la gâche à l'aide d'un tournevis Phillips.

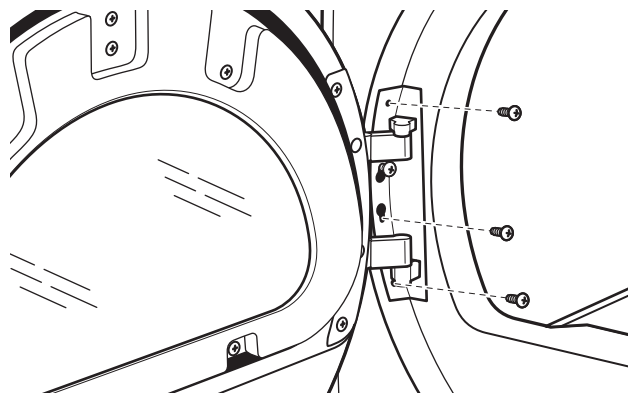


3. Installer la gâche du côté opposé.

4. Remettre les étiquettes en place sur le côté opposé. Si l'étiquette est endommagée, commander le no de pièce W11481394.

## Réinstallation de la porte

1. Insérer partiellement la 3<sup>e</sup> vis depuis le dessus et faire coulisser la charnière sur la vis tout en insérant la charnière dans le trou du panneau avant. Fixer de nouveau la porte sur le panneau avant de la sécheuse avec les 3 vis.



2. Vérifier qu'il n'y a pas de marques de doigts sur le verre. Nettoyer au besoin.

3. Fermer la porte et vérifier qu'elle s'enclenche solidement.

## INSTRUCTIONS D'ENTRETIEN

---

- Nettoyer le filtre à charpie avant ou après chaque programme.
- Comment enlever la charpie accumulée :
  - À l'intérieur de la caisse de la sècheuse :  
Retirer la charpie tous les 2 ans, ou plus souvent, selon l'utilisation de la sècheuse.  
Le nettoyage doit être effectué par une personne qualifiée.
  - De l'intérieur du conduit d'évacuation :  
Retirer la charpie tous les 2 ans, ou plus souvent, selon l'utilisation de la sècheuse.

### **Si la sècheuse ne fonctionne pas, vérifier ce qui suit :**

- La prise de courant est correctement alimentée.
- Le disjoncteur ne s'est pas déclenché et aucun fusible n'est grillé.
- La porte est fermée. Écouter attentivement pour vérifier que le loquet de porte s'enclenche.
- La touche de sélection du programme a été enfoncée fermement et l'écran affiche la durée du programme.

## EN CAS DE BESOIN D'ASSISTANCE

---

Adresser toute demande de service au distributeur de buanderie à usage commercial Maytag qui a vendu l'appareil.

Avant d'appeler, avoir à portée de la main la date d'achat, ainsi que les numéros de modèle et de série complets de l'appareil. Ces renseignements nous aideront à mieux répondre à votre demande.

# INSTRUCTIONS DE PARAMÉTRAGE DES COMMANDES ÉLECTRONIQUES

## IMPORTANT

### Circuits électroniques sensibles aux décharges électrostatiques

Le risque de décharge électrostatique est permanent. Une décharge électrostatique peut détruire ou détériorer les circuits électroniques de la machine. La nouvelle carte peut sembler fonctionner correctement après la réparation, mais une décharge électrostatique peut lui avoir fait subir des contraintes qui provoqueront une défaillance plus tard.

- Utiliser un bracelet de décharge électrostatique. Connecter le bracelet de décharge électrostatique au point vert de raccordement à la terre ou à une surface métallique non peinte à l'intérieur de l'appareil.  
-OU-  
Toucher plusieurs fois de suite avec le doigt un point vert de raccordement à la terre ou une surface métallique non peinte à l'intérieur de l'appareil.
- Avant de retirer la pièce de son emballage, placer le sachet antistatique en contact avec un point vert de raccordement à la terre ou une surface métallique non peinte à l'intérieur de l'appareil.
- Éviter de toucher les composants électroniques ou les broches de contact; manipuler les circuits électroniques de la machine uniquement par les bords.
- Lors du remballage de circuits électroniques défectueux dans le sachet antistatique, observer les instructions ci-dessus.

## Informations générales d'utilisation

### « OUT OF ORDER » (HORS SERVICE) S'AFFICHE À L'ÉCRAN –

Ce problème indique que la sècheuse est défectueuse. Un code de diagnostic ou d'anomalie s'affiche à la suite du message déroulant.

### « 0 MINUTES » (0 minutes) APPARAÎT SUR L'AFFICHAGE –

Ceci indique que le programme est terminé et que la sècheuse ne peut pas être remise en marche. Les pièces introduites ou le débit par carte engagé pendant cette phase sont stockés en avoir, mais ne sont pas utilisables tant que le fonctionnement normal n'est pas rétabli par l'ouverture et la fermeture de la porte. Un contacteur de porte défectueux doit être remplacé avant le rétablissement d'un fonctionnement normal.

### DÉMARRAGE À FROID (première utilisation) –

La sècheuse est programmée en usine de la manière suivante :

Durée de séchage de 45 minutes pour les modèles PN/PR;  
5 minutes par pièce pour les modèles PD.

Prix du séchage 1,50 \$ (programme fixe avec durée supplémentaire – Modèles PD).

Prix du séchage 0,00 \$ (programme fixe – Modèles PN/PR).

### DÉMARRAGE À CHAUD (après une panne de courant) –

Quelques secondes après le rétablissement du courant, si un programme était en cours au moment de la panne de courant, « RESELECT CYCLE » (resélectionner le programme) clignote sur l'affichage. Ceci indique la nécessité d'appuyer sur une touche de réglage de tissu pour redémarrer la sècheuse.

**TARIFS** – Une fois la porte ouverte, puis fermée après la fin de programme, l'affichage indique le prix du programme (à moins d'un réglage pour un fonctionnement gratuit). Après l'insertion de pièces ou un débit de la carte de débit, les portions de l'affichage changent pour guider l'utilisateur dans le lancement d'un programme.

Il existe quatre (4) types de prix pour la sècheuse :

### Prix de vente fixe

Une sècheuse réglée pour un fonctionnement en programme fixe accepte uniquement les durées supplémentaires accumulées par paliers égaux à la durée d'un programme de séchage complet. Un maximum de 75 minutes peut être acheté; aucun crédit supplémentaire n'est accordé lorsque l'afficheur indique 75 minutes.

### Prix par accumulation

Si le prix est défini pour une pièce 1, alors le prix par accumulation est en vigueur. La durée du programme peut être augmentée avec une pièce à la fois (modèles PD) jusqu'à une durée maximale de 75 minutes.

### Programme fixe avec prix de durée supplémentaire

Une sècheuse réglée pour proposer une fonctionnalité « Top Off » (durée supplémentaire) permet d'ajouter une durée à un programme de séchage existant par paliers égaux au nombre de minutes de durée de séchage par pièce de 0,25 \$ (pièce 1), jusqu'à 75 minutes, quel que soit le coût nécessaire pour mettre en marche la sècheuse. Aucun crédit n'est accordé pour les pièces insérées ou les apports par carte de débit lorsque l'affichage indique 75 minutes.

**Modèles PN paramétrés comme PR** : En mode débit amélioré, le prix d'appoint peut être réglé indépendamment (voir VALEUR DE LA PIÈCE 2), et la durée de l'appoint est calculée en fonction de l'équation suivante :

$$\frac{\text{Prix d'appoint}}{\text{Prix programme complet}} = \frac{\text{Durée d'appoint}}{\text{Durée du programme complet}}$$

La compensation par incréments au centième ne s'applique pas aux achats d'appoint.

**Modèles PN/PR** – L'usine a préreglé le prix du programme à zéro. Dans ce cas, « SELECT CYCLE » (sélectionner programme) s'affiche à la place du prix du programme. En mode gratuit, un programme commencé se termine automatiquement à l'ouverture de la porte.

**COMPATIBLE CARTE DE DÉBIT** – Cette sècheuse comporte un module de commande compatible avec la carte de débit, mais la sècheuse ne l'est pas.

## Affichage

Une fois la sècheuse installée et branchée pour la première fois, l'affichage indique « 0 minutes » (0 minutes).

### Modèles PD



Une fois la sècheuse branchée et sa porte ouverte puis fermée, l'affichage indique le prix. Les modèles PN/PR sont préreglés en usine pour des programmes gratuits; la mention « SELECT CYCLE » (sélectionner programme) clignote sur l'affichage.

### Modèles PN/PR



# INSTRUCTIONS DE PARAMÉTRAGE DES COMMANDES ÉLECTRONIQUES

## Procédures de paramétrage des commandes

**IMPORTANT :** Lire toutes les instructions avant la mise en marche.

Les touches de réglage du tissu, associées à l'affichage numérique, servent à régler les commandes de la sècheuse. L'affichage peut contenir 4 chiffres ou lettres et un point décimal. Il indique les codes de paramétrage et les valeurs correspondantes pour la programmation de la sècheuse.

### Utilisation des touches pour la programmation des commandes

1. La touche WHITES AND COLORS (blanc et couleurs) sert à régler les valeurs associées aux codes de paramétrage. En appuyant sur la touche, la valeur change par paliers. Un réglage rapide est possible en maintenant la touche enfoncée.
2. La touche DELICATES (articles délicats) permet de parcourir les codes de paramétrage à l'écran. Le code de paramétrage disponible suivant est atteint en appuyant sur cette touche. Pour passer aux codes de paramétrage suivants à un rythme supérieur à un (1) par seconde, maintenir la touche DELICATES (articles délicats) enfoncée.
3. La touche STOP/PAUSE (arrêt/pause) sélectionne les options ou les annule.

## Configuration pour utilisation immédiate

- Modèles PD : insérer la clé de service dans la porte, la tourner et la soulever pour retirer la porte de service.
- Modèles PN/PR : Retirer le cavalier AA1 de la carte de commande (voir la procédure ci-dessous) ou utiliser le code d'accès d'entretien ci-dessous. une fois le lecteur de carte de débit installé (conformément aux instructions du fabricant du lecteur), on peut entrer au mode de paramétrage en insérant une carte de paramétrage manuelle (fournie par le fabricant du lecteur) dans la fente d'insertion de carte. Si l'on ne dispose pas de carte de paramétrage manuelle, le mode de paramétrage manuel n'est pas accessible. Cependant, on peut accéder au mode de diagnostic en retirant le connecteur AA1 sur la carte de circuits.

**IMPORTANT :** La console ne doit pas être ouverte avant que l'alimentation de la sècheuse soit coupée. Pour accéder au connecteur AA1 :

→ Débrancher la sècheuse ou déconnecter la source de courant électrique.

→ Ouvrir la console, réinsérer la fiche dans le connecteur AA1, fermer la console.

→ Brancher la sècheuse ou reconnecter la source de courant électrique.

- Modèles PN/PR équipés d'un commutateur de programmation : insérer la clé du panneau d'accès et le tourner en sens antihoraire.

- Modèles PN/PR avec lecteur de carte de débit de génération 2 : une fois le lecteur de carte de débit de génération 2 installé (conformément aux instructions du fabricant du lecteur), on peut entrer au mode de paramétrage seulement en insérant une carte de paramétrage manuelle (fournie par le fabricant du lecteur) dans la fente d'insertion de carte.
- Si l'on ne dispose pas de carte de paramétrage manuelle, on peut seulement accéder au mode de diagnostic.
- Le code d'accès d'entretien alternatif pour accéder au mode de paramétrage est d'appuyer sur les touches suivantes selon cette séquence : touche gauche, touche droite, touche gauche, touche droite et touche droite.

**REMARQUE :** Cette sècheuse est pré-réglée à l'usine et ne nécessite aucune programmation. Cependant, pour modifier les paramètres, suivre le guide des « Codes de paramétrage » ci-dessous. Les modèles PD nécessitent l'installation d'un système de paiement ou d'un ensemble OPL avant leur utilisation.

- Les modèles PD sont pré-réglés en usine avec prix de programme fixe avec appoint.
- Les unités PN/PR sont pré-réglées pour un fonctionnement fixe des programmes, donc elles peuvent être mises en service sans paiement.

## Codes de paramétrage

- La touche DELICATES (articles délicats) permet de progresser d'un code au suivant.
- La touche WHITE AND COLORS (blanc et couleurs) change la valeur du code.
- La touche STOP/PAUSE (arrêt/pause) sélectionne les options ou les annule.

**MODÈLES PN/PR :** Les codes de paramétrage sont les mêmes que pour les modèles PD, sauf indication contraire.

# INSTRUCTIONS DE PARAMÉTRAGE DES COMMANDES ÉLECTRONIQUES

Le code de paramétrage est indiqué par un ou deux caractères à gauche. La valeur du code de paramétrage est indiquée par deux ou trois caractères à droite.

**REMARQUE :** La première ligne de chaque code indique la valeur par défaut définie en usine.

Code	Explication
<b>6 06</b>	<b>PRIX D'UN PROGRAMME NORMAL</b>
6 06	Représente le nombre de pièces de 0,25 \$ (pièce 1) nécessaires pour mettre en marche la sècheuse; réglable de 0 à 39. (Voir le réglage de b.xx pour la VALEUR DE PIÈCE 1.) Avancer de 0 à 39 en appuyant sur la touche WHITES AND COLORS (blancs et couleurs). Valeur par défaut définie en usine sur 6 x pièce 1.
6 00	<b>MODÈLES PN/PR UNIQUEMENT :</b> Valeur par défaut définie en usine sur 6 00, ou 0 pièce. <ul style="list-style-type: none"> <li>Appuyer sur la touche DELICATES (articles délicats) une fois pour passer au code suivant.</li> </ul>
<b>7 05</b>	<b>DURÉE DE SÉCHAGE NORMAL</b>
7 05	<b>MODÈLES PD :</b> Représente le nombre de minutes par pièce (pièce 1). Le réglage par défaut en usine est de 5 minutes par pièce. Exemple : 6 pièces x 5 minutes = 30 minutes. En appuyant sur la touche WHITES & COLORS (blanc et couleurs), la valeur peut être réglée entre 1 et 75 minutes.
7 45	<b>MODÈLES PN/PR :</b> Représente la durée du programme gratuit. Exemple : « 7 45 » = 45 minutes. <ul style="list-style-type: none"> <li>Appuyer sur la touche DELICATES (articles délicats) une fois pour passer au code suivant.</li> </ul>
<b>8 00</b>	<b>TYPE DE PRIX DE LA SÈCHEUSE</b>
8 00	Programme fixe avec durée supplémentaire. Pour une description détaillée, consulter la section « Informations générales d'utilisation ».
8 FC	<b>MODÈLES PN/PR UNIQUEMENT :</b> Valeur par défaut définie en usine sur Fixed Cycle (FC) (programme fixe). Pour une description détaillée, consulter la section « Informations générales d'utilisation ». Utiliser la touche STOP/PAUSE (arrêt/pause) pour changer cette sélection. <ul style="list-style-type: none"> <li>Appuyer sur la touche DELICATES (articles délicats) une fois pour passer au code suivant.</li> </ul>
<b>9 00</b>	<b>OPTION DE COMPTAGE DES PROGRAMMES</b> Cette option est soit sélectionnée « ON » (activée), soit non sélectionnée « OFF » (désactivée).
9 00	Non sélectionnée « OFF » (désactivée).
9 0C	Sélectionnée « ON » (activée); il n'est pas possible d'annuler cette sélection. <ul style="list-style-type: none"> <li>Appuyer sur la touche STOP/PAUSE (arrêt/pause) 3 fois de suite pour sélectionner « ON » (activée). Une fois à « ON » (activée), il n'est pas possible d'annuler la sélection.</li> <li>Appuyer sur la touche DELICATES (articles délicats) une fois pour passer au code suivant.</li> </ul>

**Si le compteur de programmes (9 0C) est sélectionné, le calcul du total est le suivant :**

1 00	Programmes en CENTAINES	1 <u>02</u> = 200
2 00	Programmes en UNITÉS	2 <u>25</u> = 25

PROGRAMMES TOTAUX = 225

« VIEW ONLY » (affichage seulement), ne peut être effacé.

• Appuyer sur la touche DELICATES (articles délicats) une fois pour passer au code suivant.

Code	Explication	
<b>1. 00</b>	<b>OPTION DE COMPTAGE DE MONNAIE</b> Cette option est soit sélectionnée « ON » (activée), soit non sélectionnée « OFF » (désactivée).	
1. 00	Non sélectionnée « OFF » (désactivée).	
1. 0C	Sélectionnée « ON » (activée). <ul style="list-style-type: none"> <li>Appuyer sur la touche STOP/PAUSE (arrêt/pause) trois fois de suite pour sélectionner « ON » (activée) et trois autres fois de suite pour l'annuler (non sélectionnée « OFF » (désactivée)). Le compteur se remet à zéro en passant de l'option « OFF » (désactivée) à l'option « ON » (activée).</li> </ul>	
1. C0	Sélectionnée « ON » (activée) ; il n'est pas possible d'annuler cette sélection. <ul style="list-style-type: none"> <li>Pour sélectionner l'option « ON » (activée) sans possibilité de l'annuler, sélectionner d'abord « ON » (activée), puis, en moins de deux secondes, appuyer deux fois sur la touche STOP/PAUSE (arrêt/pause) et une fois sur la touche WHITES AND COLORS (blancs et couleurs), puis quitter le mode de paramétrage.</li> <li>Appuyer sur la touche DELICATES (articles délicats) une fois pour passer au code suivant.</li> </ul>	
<b>2. 00</b>	<b>OPTIONS DE TARIF SPÉCIAL</b> Cette option est soit sélectionnée « ON » (activée), soit non sélectionnée « OFF » (désactivée).	
2. 00	Non sélectionnée « OFF » (désactivée).	
2. SP	Sélectionnée « ON » (activée). <ul style="list-style-type: none"> <li>Appuyer sur la touche STOP/PAUSE (arrêt/pause) une fois pour modifier cette sélection.</li> </ul>	
<b>Si l'option de prix spécial est sélectionnée, les codes « 3.XX » à « 9.XX » sont accessibles.</b>		
	<ul style="list-style-type: none"> <li>Appuyer sur la touche DELICATES (articles délicats) une fois pour passer au code suivant.</li> </ul>	
<b>Si le compteur de monnaie (1.0C ou 1.C0) est sélectionné, le calcul du total est le suivant :</b>		
3 00	Devise en CENTAINES	3 <u>01</u> = 100,00
4 00	Devise en UNITÉS	4 <u>68</u> = 68,00
5 00	Devise en CENTIÈMES	5 <u>75</u> = 00,75
		<b>TOTAL = 168,75</b>

# INSTRUCTIONS DE PARAMÉTRAGE DES COMMANDES ÉLECTRONIQUES

## OPTIONS 3.XX À 9.XX LORSQUE L'OPTION DE TARIF SPÉCIAL EST SÉLECTIONNÉE

Code	Explication
3. 06	<b>TARIF SPÉCIAL D'UN PROGRAMME</b>
3. 06	Représente le nombre de pièces (pièce 1) nécessaires pour mettre en marche la sècheuse; peut être réglé de 0 à 39. (Voir le réglage de b.xx pour la VALEUR DE PIÈCE 1.) <ul style="list-style-type: none"> <li>• Avancer de 0 à 39 en appuyant sur la touche WHITES AND COLORS (blancs et couleurs). Valeur par défaut définie en usine sur 6 x pièce 1.</li> </ul>
3. 00	<b>MODÈLES PN/PR SEULEMENT :</b> Valeur par défaut définie en usine sur 0 pièce. <ul style="list-style-type: none"> <li>• Appuyer sur la touche DELICATES (articles délicats) une fois pour passer au code suivant.</li> </ul>
4. 05	<b>DURÉE DE SÉCHAGE SPÉCIAL</b>
4. 05	<b>MODÈLES PD :</b> Représente le nombre de minutes par pièce (pièce 1). <ul style="list-style-type: none"> <li>• Le réglage par défaut en usine est de 5 minutes par pièce. Exemple : 6 pièces x 5 minutes = 30 minutes.</li> <li>• En appuyant sur la touche WHITES AND COLORS (blancs et couleurs), la valeur peut être réglée entre 1 et 75 minutes.</li> </ul>
4. 45	<b>MODÈLES PN/PR :</b> Représente la durée du programme gratuit. Exemple : « 4 45 » = 45 minutes. <ul style="list-style-type: none"> <li>• Appuyer sur la touche DELICATES (articles délicats) une fois pour passer au code suivant.</li> </ul>
5. 00	<b>HORLOGE, MINUTES</b>
5. 00	Paramétrage des minutes de l'horloge; choisir une valeur entre 0 et 59 minutes en appuyant sur la touche WHITES AND COLORS (blancs et couleurs). <ul style="list-style-type: none"> <li>• Appuyer sur la touche DELICATES (articles délicats) une fois pour passer au code suivant.</li> </ul>
6. 00	<b>HORLOGE, HEURES</b> <b>REMARQUE :</b> Utilise le format sur 24 heures.
6. 00	Paramétrage de l'heure de l'horloge; choisir une valeur entre 0 et 23 heures en appuyant sur la touche WHITES AND COLORS (blancs et couleurs). <ul style="list-style-type: none"> <li>• Appuyer sur la touche DELICATES (articles délicats) une fois pour passer au code suivant.</li> </ul>

## OPTIONS 3.XX À 9.XX LORSQUE L'OPTION DE TARIF SPÉCIAL EST SÉLECTIONNÉE (SUITE)

Code	Explication																								
7. 00	<b>HEURE DE DÉBUT DU TARIF SPÉCIAL</b> <b>REMARQUE :</b> Utilise le format sur 24 heures.																								
7. 00	Représente l'heure de début, entre 0 et 23 heures. <ul style="list-style-type: none"> <li>• Sélectionner l'heure de début en appuyant sur la touche WHITES AND COLORS (blancs et couleurs).</li> <li>• Appuyer sur la touche DELICATES (articles délicats) une fois pour passer au code suivant.</li> </ul>																								
8. 00	<b>HEURE DE FIN DU TARIF SPÉCIAL</b> <b>REMARQUE :</b> Utilise le format sur 24 heures.																								
8. 00	Représente l'heure de fin, entre 0 et 23 heures. <ul style="list-style-type: none"> <li>• Sélectionner l'heure de fin en appuyant sur la touche WHITES AND COLORS (blancs et couleurs).</li> <li>• Appuyer sur la touche DELICATES (articles délicats) une fois pour passer au code suivant.</li> </ul>																								
9. 10	<b>JOUR À TARIF SPÉCIAL</b>																								
9. 10	Représente le jour de la semaine et indique si un prix spécial est sélectionné pour ce jour. Un nombre suivi de « 0 » indique l'absence de sélection pour ce jour particulier (9,10). Un nombre suivi de « S » indique une sélection pour ce jour particulier (9,1S).  Les jours de la semaine (1 à 7) sont sélectionnés en appuyant sur la touche WHITES AND COLORS (blancs et couleurs). Appuyer une fois sur la touche STOP/PAUSE (arrêt/pause) pour sélectionner le prix spécial pour chaque jour choisi.																								
En quittant le code de paramétrage « 9 », l'affichage doit indiquer le jour actuel de la semaine :																									
	<table border="1"> <thead> <tr> <th>AFFICHAGE</th> <th>JOUR DE LA SEMAINE</th> <th>CODE (sélectionné)</th> </tr> </thead> <tbody> <tr> <td>10</td> <td>Jour 1 = dimanche</td> <td>1S</td> </tr> <tr> <td>20</td> <td>Jour 2 = lundi</td> <td>2S</td> </tr> <tr> <td>30</td> <td>Jour 3 = mardi</td> <td>3S</td> </tr> <tr> <td>40</td> <td>Jour 4 = mercredi</td> <td>4S</td> </tr> <tr> <td>50</td> <td>Jour 5 = jeudi</td> <td>5S</td> </tr> <tr> <td>60</td> <td>Jour 6 = vendredi</td> <td>6S</td> </tr> <tr> <td>70</td> <td>Jour 7 = samedi</td> <td>7S</td> </tr> </tbody> </table>	AFFICHAGE	JOUR DE LA SEMAINE	CODE (sélectionné)	10	Jour 1 = dimanche	1S	20	Jour 2 = lundi	2S	30	Jour 3 = mardi	3S	40	Jour 4 = mercredi	4S	50	Jour 5 = jeudi	5S	60	Jour 6 = vendredi	6S	70	Jour 7 = samedi	7S
AFFICHAGE	JOUR DE LA SEMAINE	CODE (sélectionné)																							
10	Jour 1 = dimanche	1S																							
20	Jour 2 = lundi	2S																							
30	Jour 3 = mardi	3S																							
40	Jour 4 = mercredi	4S																							
50	Jour 5 = jeudi	5S																							
60	Jour 6 = vendredi	6S																							
70	Jour 7 = samedi	7S																							
• Appuyer sur la touche DELICATES (articles délicats) pour passer au code suivant.																									
A. 00	<b>OPTION D'AFFICHAGE DU COFFRE</b> Cette option est soit sélectionnée « ON » (activée), soit non sélectionnée « OFF » (désactivée).																								
A. 00	Non sélectionnée « OFF » (désactivée).																								
A. SC	Sélectionnée « ON » (activée). <ul style="list-style-type: none"> <li>• Appuyer sur la touche STOP/PAUSE (arrêt/pause) une fois pour modifier cette sélection. Lorsque cette option est sélectionnée, le compteur de monnaie ou de programmes peut être affiché (si les options de compteur correspondantes sont sélectionnées) lorsque la boîte à monnaie est retirée.</li> <li>• Appuyer sur la touche DELICATES (articles délicats) une fois pour passer au code suivant.</li> </ul>																								

# INSTRUCTIONS DE PARAMÉTRAGE DES COMMANDES ÉLECTRONIQUES

Code	Explication	Code	Explication
b. 05	<b>VALEUR DE LA PIÈCE 1</b>	E. 00	Non sélectionnée « OFF » (désactivée).
b.05	Cela représente la valeur de la pièce de monnaie 1 en quantité d'incrément de 5 % de la pièce de monnaie de valeur la plus grande. 5 x 5 % = 25 %. <ul style="list-style-type: none"> <li>En appuyant sur la touche WHITES AND COLORS (blancs et couleurs), l'option de 1 à 199 est disponible pour la quantité en incréments de 5 %. Avec la glissière à pièces activée, ceci représente le prix de vente total.</li> <li>Appuyer sur la touche DELICATES (articles délicats) une fois pour passer au code suivant.</li> </ul>	E. AC	Sélectionnée « ON » (activée). <ul style="list-style-type: none"> <li>Appuyer sur la touche STOP/PAUSE (arrêt/pause) trois fois de suite pour modifier cette sélection.</li> </ul> <b>MODÈLES PN/PR</b> : Cette option n'est pas sélectionnable. <ul style="list-style-type: none"> <li>Appuyer sur la touche DELICATES (articles délicats) une fois pour passer au code suivant.</li> </ul>
C. 20	<b>VALEUR DE LA PIÈCE 2</b>	J. Cd	<b>MODE DE PAIEMENT (OPTIONS PIÈCES/DÉBIT)</b>
C. 20	Cela représente la valeur de la pièce de monnaie 2 en quantité d'incrément de 5 % de la pièce de monnaie de valeur la plus grande. 20 x 5 % = 100%. <ul style="list-style-type: none"> <li>En appuyant sur la touche WHITES AND COLORS (blancs et couleurs), l'option de 1 à 199 est disponible pour la quantité en incréments de 5 %.</li> </ul>	J. Cd	Modes pièces et carte de débit sélectionnés. (NON DISPONIBLE)
C. 05	<b>MODÈLES PN/PR</b> : Cela représente la valeur de la pièce de monnaie 2 en quantité d'incrément de 5 % de la pièce de monnaie de valeur la plus grande. Valeur par défaut = 5 x 5 % de pièce de monnaie de valeur la plus grande. <b>MODÈLES PN/PR EN UTILISANT LE MODE DE DÉBIT AMÉLIORÉ</b> : Cela représente la valeur de la durée supplémentaire en quantité d'incrément de 5 % de la pièce de monnaie de valeur la plus grande. Valeur par défaut = 5 x 5 % de pièce de monnaie de valeur la plus grande. <ul style="list-style-type: none"> <li>Appuyer sur la touche DELICATES (articles délicats) une fois pour passer au code suivant.</li> </ul>	J. C_	Mode pièces sélectionné, mode débit désactivé. Appuyer sur la touche STOP/PAUSE (arrêt/pause) trois fois de suite pour modifier cette sélection.
d. 00	<b>OPTION DE COMPTAGE DE MONNAIE</b> Cette option est soit sélectionnée « ON » (activée), soit non sélectionnée « OFF » (désactivée). Le remplacement du boîtier du compteur est nécessaire pour le montage du dispositif de la glissière de pièces.	J._d	<b>Modèles PN/PR</b> : Valeur par défaut définie en usine sur J._d. Mode carte de débit sélectionné, mode pièces désactivé. Appuyer sur la touche STOP/PAUSE (arrêt/pause) trois fois de suite pour modifier cette sélection.
d. 00	Non sélectionnée « OFF » (désactivée).	J. Ed	L'option Enhanced Debit (ED) (débit amélioré) est automatiquement sélectionnée lorsqu'un lecteur de cartes de 2 <sup>e</sup> génération est installé dans la sècheuse. L'option Ed ne peut pas être sélectionnée ou désactivée manuellement. (NON DISPONIBLE) <ul style="list-style-type: none"> <li>Appuyer sur la touche DELICATES (articles délicats) une fois pour passer au code suivant.</li> </ul>
d. CS	Sélectionnée « ON » (activée). <b>REMARQUE</b> : Cette option doit être définie à « 00 » à moins que le boîtier du compteur ait été modifié pour accepter le dispositif de la glissière de pièces. <ul style="list-style-type: none"> <li>Appuyer sur la touche STOP/PAUSE (arrêt/pause) trois fois de suite pour cette sélection. Une fois le mode glissière à pièces sélectionné, paramétrer « b. » sur la valeur d'une descente en pièces. Régler les codes « 6 xx » (PRIX DE PROGRAMME NORMAL) et « 3.xx » (PRIX DE PROGRAMME SPÉCIAL) sur le nombre de descentes de pièces. 6 01 et 3. 01 = 1 poussée de glissière.</li> </ul> <b>REMARQUE</b> : Si l'installateur règle « CS » sur un modèle de chute de pièces, les pièces ne sont pas enregistrées. <ul style="list-style-type: none"> <li>Appuyer sur la touche DELICATES (articles délicats) une fois pour passer au code suivant.</li> </ul>	L. 00	<b>OPTION DE SUPPRESSION DU PRIX</b> Cette option est soit sélectionnée « ON » (activée), soit non sélectionnée « OFF » (désactivée). Cette option indique sur l'afficheur client « ADD » (introduire) ou « AVAILABLE » (disponible) au lieu du montant à ajouter (utilisé principalement avec les installations à carte de débit).
E. 00	<b>OPTION AJOUT DE MONNAIE</b> Cette option est soit non sélectionnée « OFF » (désactivée), soit sélectionnée « ON » (activée). Avec cette option, l'affichage client indique le nombre de pièces (pièce 1) à insérer plutôt que le montant.	L. 00	Non sélectionnée « OFF » (désactivée).
		L. PS	Sélectionnée « ON » (activée). <ul style="list-style-type: none"> <li>Appuyer sur la touche STOP/PAUSE (arrêt/pause) une fois pour modifier cette sélection.</li> <li>Appuyer sur la touche DELICATES (articles délicats) une fois pour passer au code suivant.</li> </ul>
		n. CE	<b>OPTION D'ANNULATION DE DÉPÔT</b> Cette option est soit sélectionnée « ON » (activée), soit non sélectionnée « OFF » (désactivée). Lorsque cette option est sélectionnée, l'argent mémorisé en avoir pendant 30 minutes sans ajout supplémentaire ou activités de programme est effacé.
		n. 00	Non sélectionnée « OFF » (désactivée).
		n. CE	Sélectionnée « ON » (activée). <ul style="list-style-type: none"> <li>Appuyer sur la touche STOP/PAUSE (arrêt/pause) une fois pour modifier cette sélection.</li> <li>Appuyer sur la touche DELICATES (articles délicats) une fois pour passer au code suivant.</li> </ul>

# INSTRUCTIONS DE PARAMÉTRAGE DES COMMANDES ÉLECTRONIQUES

Code	Explication
U. 00	<b>DÉCALAGE D'AUGMENTATION DE PIÈCES DE MONNAIE</b>
U. 00	Représente la compensation du prix par incréments au centième utilisée dans les modèles PR de 2e génération (débit amélioré). Choisir entre 0 et 4 nombre en centaines en appuyant sur la touche WHITES AND COLORS (blanc et couleurs). (NON DISPONIBLE) <ul style="list-style-type: none"><li>• Appuyer sur la touche DELICATES (articles délicats) une fois pour passer au code suivant.</li></ul>

## FIN DES PROCÉDURES DE PARAMÉTRAGE

### QUITTER LE MODE DE PARAMÉTRAGE

- MODÈLES PD : réinstaller la porte d'accès.
- MODÈLES PN/PR dont la fiche AA1 a été retirée :
  1. Débrancher la sècheuse ou déconnecter la source de courant électrique.
  2. Ouvrir la console, réinsérer la bretelle dans la fiche AA1, puis fermer la console.
  3. Brancher la sècheuse ou reconnecter la source de courant électrique.
- PN/PR AVEC COMMUTATEUR DE PROGRAMMATION : Tourner la clé dans le sens horaire et la retirer.
- Si le code d'accès d'entretien a été utilisé pour accéder au mode de réglage :

A partir du code de paramétrage 8, appuyer sur la touche n° 1 pendant 4 secondes, attendre 2 minutes sans toucher les touches (sans mode de diagnostic en cours) ou mettre la sècheuse hors tension; puis rétablir l'alimentation électrique.

# SEGURIDAD DE LA SECADORA

## Su seguridad y la seguridad de los demás es muy importante.

Hemos incluido muchos mensajes importantes de seguridad en este manual y en su electrodoméstico. Lea y obedezca siempre todos los mensajes de seguridad.



Este es el símbolo de alerta de seguridad.

Este símbolo le llama la atención sobre peligros potenciales que pueden ocasionar la muerte o una lesión a usted y a los demás.

Todos los mensajes de seguridad irán a continuación del símbolo de advertencia de seguridad y de la palabra "PELIGRO" o "ADVERTENCIA". Estas palabras significan:

 **PELIGRO**

Si no sigue las instrucciones de inmediato, usted puede morir o sufrir una lesión grave.

 **ADVERTENCIA**

Si no sigue las instrucciones, usted puede morir o sufrir una lesión grave.

Todos los mensajes de seguridad le dirán el peligro potencial, le dirán cómo reducir las posibilidades de sufrir una lesión y lo que puede suceder si no se siguen las instrucciones.



## **ADVERTENCIA** - "Riesgo de Incendio"

- La instalación de la secadora de ropa debe ser realizada por un técnico calificado.
- Instalar la secadora de ropa de acuerdo con las instrucciones del fabricante.
- No instalar la secadora de ropa con materiales de ventilación de plástico. Si se instala ducto flexible metálico (tipo aluminio), éste debe ser de un tipo específico que sea avalado por el fabricante como apto para el uso con secadora de ropa. Los materiales de ventilación flexibles son bien conocidos por colapsarse, se aplastan fácilmente y retienen pelusa. Estas condiciones bloquearán el flujo de aire de la secadora e incrementarán el riesgo de incendio.
- Para reducir el riesgo de lesiones graves o muerte, siga todas las instrucciones de instalación.
- Guarde estas instrucciones.



## **ADVERTENCIA** - Riesgo de incendio/ Materiales inflamables


Este es un símbolo de advertencia de seguridad adicional que le avisa del riesgo de incendio.

### PARA SU SEGURIDAD

1. NO USE NI GUARDE GASOLINA NI OTROS MATERIALES INFLAMABLES DENTRO DE ESTE APARATO NI CERCA DEL MISMO.
2. NO ROCÍE CON AEROSOLES EN LA PROXIMIDAD DE ESTE APARATO MIENTRAS ESTÉ EN FUNCIONAMIENTO.
3. NO MODIFIQUE ESTE APARATO.

## INSTRUCCIONES IMPORTANTES DE SEGURIDAD

**ADVERTENCIA:** A fin de reducir el riesgo de incendio, choque eléctrico o de daño a las personas que usen la secadora, deben seguirse las precauciones básicas, incluidas las siguientes:

- Lea todas las instrucciones antes de usar la secadora. 
- Esta secadora se ha diseñado solamente para secar ropa y materiales textiles que hayan sido lavados en agua. No la use para ningún otro propósito.
- Los artículos impregnados con aceite pueden incendiarse espontáneamente, sobre todo cuando se los expone a fuentes de calor como una secadora. Los artículos pueden calentarse, lo que causa una reacción de oxidación en el aceite. La oxidación produce calor. Si el calor no puede escapar, los artículos pueden ponerse lo suficientemente calientes como para prenderse fuego. Si se hacen pilas, se amontonan o se guardan artículos impregnados con aceite, esto impedirá que el calor escape y generará un peligro de incendio.
- Si no se puede evitar poner en una secadora telas que contengan aceite vegetal o de cocina, o que hayan sido contaminadas por productos para el cuidado del cabello, estas deberán lavarse en agua caliente con detergente adicional. Esto reducirá el peligro, pero no lo eliminará.
- No seque artículos que ya se hayan limpiado, lavado, remojado o manchado con gasolina, disolventes de limpieza en seco, u otras sustancias inflamables o explosivas ya que despiden vapores que pueden encenderse o causar una explosión.
- Los artículos que se hayan ensuciado con sustancias tales como acetona, alcohol, gasolina, queroseno, quitamanchas, aguarrás, ceras y quita ceras, deberán lavarse en agua caliente con una cantidad adicional de detergente antes de secarse en la secadora.
- No seque en la secadora artículos que no hayan sido lavados.
- No utilice esta secadora si se han usado productos químicos industriales para la limpieza. La posible presencia de cantidades de residuos provenientes de productos químicos agresivos o descompuestos en la carga podría ocasionar daños a la secadora y gases nocivos.
- No permita que jueguen los niños sobre o dentro de la secadora. Es necesaria la cuidadosa vigilancia de los niños toda vez que se use la secadora cerca de ellos. Los niños no deben realizar la limpieza ni el mantenimiento del usuario sin supervisión. Los niños menores de 3 años deben mantenerse alejados, a menos que se los supervise constantemente.
- No use la secadora si no calienta o si parece estar defectuosa o dañada. Contacte al propietario.
- No instale o almacene esta secadora donde estará expuesta a la intemperie.
- No trate de forzar los controles.
- Limpie el filtro de pelusa antes o después de cada carga.
- No use esta secadora sin el filtro de pelusa en su lugar.
- No repare ni reemplace ninguna pieza de la secadora ni trate de repararla a menos que esto se recomiende específicamente en este Manual de uso y cuidado o en instrucciones de reparación publicadas para el usuario que usted comprenda y solo si cuenta con la experiencia necesaria para llevar a cabo dicha reparación.
- Los suavizantes de telas o productos similares deberán usarse según lo especificado por las instrucciones del suavizante de telas.
- Los artículos como gomaespuma (espuma de látex), gorras de baño, telas a prueba de agua, artículos con reverso de goma y prendas o almohadas rellenas de gomaespuma, no deberían secarse en la secadora.
- La parte final de un ciclo de rotación en la secadora ocurre sin calor (ciclo de enfriamiento) para asegurarse de que los artículos se dejen a una temperatura que asegure que no se dañarán.
- **ADVERTENCIA:** Nunca detenga una secadora que esté girando antes de que se termine el ciclo de secado, a menos que todos los artículos se hayan sacado y separado, para que se disipe el calor. (Evite los riesgos de combustión espontánea).

**GUARDA ESTAS INSTRUCCIONES  
- CONTINÚA EN LA SIGUIENTE PÁGINA -**

# SEGURIDAD DE LA SECADORA

- **ADVERTENCIA:** El aparato no se debe abastecer de un dispositivo de conmutación externo, como un temporizador, o conectarse a un circuito que se enciende y apaga regularmente a través de una red.
- En caso de que haya una falla en el suministro de energía, quite la carga rápidamente y extiéndala para evitar un riesgo de combustión espontánea.
- Mantenga el área alrededor de la abertura de ventilación y las áreas adyacentes a esta abertura sin pelusas, polvo o tierra.
- No deben obstruirse las aberturas de ventilación con una alfombra o un objeto similar.
- Este aparato está diseñado, pero no se limita, a su uso en áreas públicas.
- Esta secadora no ha sido diseñada para ser usada por personas (incluidos niños de 8 años en adelante) con capacidad física, sensorial o mental reducida, o con falta de experiencia o conocimiento, a menos que lo hagan bajo supervisión o siguiendo las instrucciones relativas al uso del aparato por parte de una persona responsable de su seguridad.
- Quite la puerta de la secadora al compartimiento de secado antes de ponerla fuera de funcionamiento o de descartarla.
- No introduzca las manos en la secadora cuando el tambor está en movimiento.
- Si se abre la puerta de la secadora, se detendrá el funcionamiento.
- Cuando cargue o vuelva a cargar la secadora, evite tocar las partes metálicas del tambor que estén calientes (riesgo de quemaduras).
- Retire todos los objetos de los bolsillos tales como encendedores y fósforos.
- Si la rotación del tambor está bloqueada debido a materiales textiles atascados, desconecte la secadora del suministro de energía antes de retirar cuidadosamente lo que esté atascado.
- Si esto no es posible debido a la construcción del dispositivo o su instalación, debe proporcionarse una desconexión con un sistema de bloqueo en la posición aislada.
- En caso de una falla se deben utilizar piezas de repuesto solo autorizadas.
- Este aparato incorpora una conexión a tierra solo para fines funcionales.
- La secadora no se debe instalar detrás de una puerta con llave, una puerta corrediza o una puerta con una bisagra en el lado opuesto al de la secadora, de tal forma que la puerta de la secadora no se pueda abrir del todo.
- El aire de escape no debe salir por un conducto para emanaciones que se use para la salida de emanaciones de aparatos que queman gas u otros combustibles.
- No deben bloquearse ni sellarse las aberturas de ventilación que proveen aire fresco a la habitación y a la secadora.
- Control de parada de emergencia: Después de la instalación, se debe garantizar en todo momento el acceso al enchufe a la red eléctrica principal o la desconexión del suministro principal mediante un interruptor de dos polos para asegurar la desactivación inmediata de la secadora en caso de una emergencia.
- La parte interior de la secadora y el ducto de ventilación de ésta se deben limpiar periódicamente por personal de servicio calificado.
- Consulte la sección “Requisitos eléctricos” en “Requisitos de instalación” para obtener las instrucciones de conexión a tierra.
- Deberá existir una ventilación adecuada para evitar el contraflujo de gases dentro de la habitación por parte de aparatos que queman otros productos combustibles, incluidos fuegos abiertos.
- La secadora se debe desconectar de la energía eléctrica durante su reparación o cuando se le reemplacen piezas.
- Consulte la sección DIMENSIONES Y ESPACIOS LIBRES para verificar los requisitos de espacios mínimos para la instalación.
- Capacidad de carga IEC (Comisión electrotécnica internacional): 10,5 kg.
- Esta secadora no tiene cable de suministro eléctrico ni enchufe. Se debe proporcionar un medio de desconexión del suministro de alimentación que tenga una separación de contacto en todos los polos y que proporcione una desconexión completa en las condiciones de sobretensión de categoría III, de lo contrario, se debe proporcionar un medio de desconexión en el cableado fijo de acuerdo con las normas de cableado.

## GUARDE ESTAS INSTRUCCIONES

## DESECHO DE LA SECADORA



Este electrodoméstico está marcado de acuerdo con la directiva europea 2012/19/EU sobre Residuos de Equipos Eléctricos y Electrónicos (Waste Electrical and Electronic Equipment – WEEE).

Asegurándose de que este producto será eliminado correctamente, usted ayudará a prevenir consecuencias negativas potenciales para el medio ambiente y la salud humana, que podrían causarse por el manejo inapropiado de este producto.

El símbolo sobre el producto, o en los documentos que acompañan al producto, indica que este electrodoméstico no puede tratarse como basura doméstica. Contrariamente, deberá ser entregado al punto de recogida correspondiente para el reciclado de equipos eléctricos y electrónicos.

La eliminación debe llevarse a cabo de acuerdo con las regulaciones ambientales locales para la eliminación de basura.

Para información más detallada acerca del tratamiento, recuperación y reciclado de este producto, por favor, contacte con su oficina municipal local, su servicio de eliminación de basura doméstica o la tienda donde compró el producto.

### NOMENCLATURA DE LOS MODELOS:

**MDE** – Secadora Maytag – Eléctrica

**## (por ej., 28)** – Número de tipo de modelo

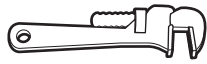
**PN** – Control electrónico – Sin pago

**PD** – Control electrónico – Con depósito de monedas

**PR** – Control electrónico – Habilitado para tarjetas

# HERRAMIENTAS Y PIEZAS

## Herramientas necesarias:



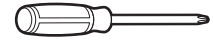
Llave para tubos de 8" o 10"



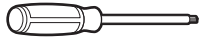
Llave ajustable de 8" o 10" que se abre a 1"



Destornillador plano



Destornillador Phillips



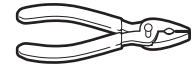
Destornillador de seguridad o broca TORX† T20



Llave de cabeza hexagonal de 1"



Llave para tubos de 5/16"



Alicate (que se abre 1<sup>9</sup>/<sub>16</sub>" )



Nivel



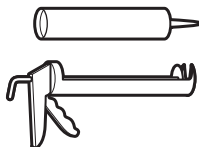
Cuchillo para uso general



Llave para tuercas de 1/4"



Pinzas de presión



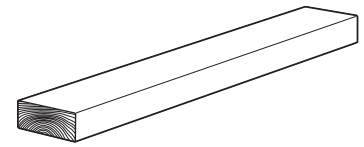
Pistola y masilla para calafateo (para instalar el nuevo ducto de escape)



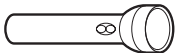
Abrazaderas para ducto



Compuesto para unión de tuberías que sea adecuado para el tipo de gas



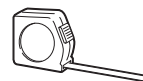
Bloque de madera de 27"



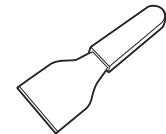
Linterna (opcional)



Llaves fijas de 1"



Regla o cinta de medición



Cuchillo para masilla

## Piezas suministradas:

- Tapas protectoras (4)
- Patas niveladoras (4)
- Modelos PN/PR: Bisel del lector de tarjeta, accesorios

**NOTA:** El diagrama del circuito de esta secadora está dentro del panel lateral, dentro de las planillas técnicas.

### Especificaciones técnicas:

220 V-240 V, 50 HZ 4575 W

Masa total: 69 kg máximo

## ESPECIFICACIONES

Estas unidades se venden en varias regiones con requisitos diferentes para medir la capacidad. A continuación se enumeran algunas de las formas válidas de medición indicadas en este producto:

**Capacidad de carga con artículos secos:** Una medida de peso que refleja una tolerancia mínima para la capacidad de volumen en seco necesaria a fin de determinar la posición arancelaria para importación.

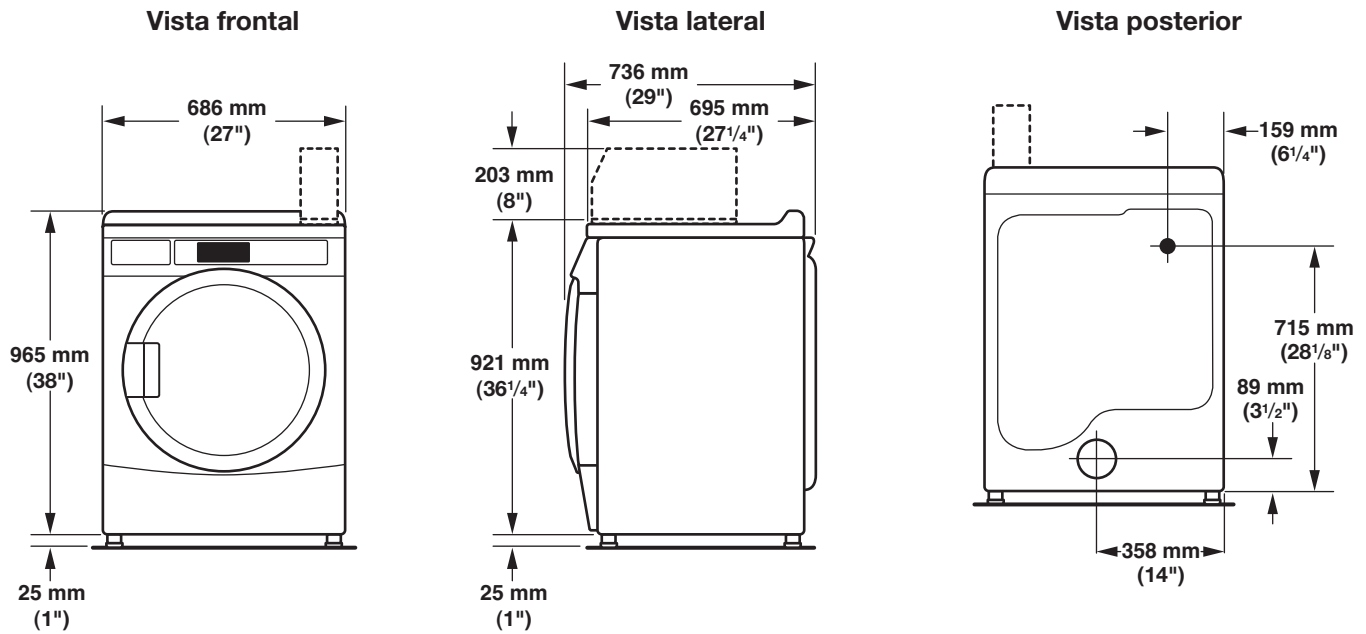
**Capacidad IEC (Comisión electrotécnica internacional):** La medida de capacidad que representa la capacidad máxima de artículos y telas secas que el fabricante declara que pueden tratarse en un ciclo específico.

<b>Capacidad de carga con artículos secos</b>
10,5 kg (23 lb)
<b>Capacidad IEC (Comisión electrotécnica internacional)</b>
10,5 kg (23 lb)
<b>Nivel de sonido</b>
LpA: 58 dB (A) (Kpa+/-10 dB [A])

†TORX es una marca comercial de Acument Intellectual Properties, LLC.

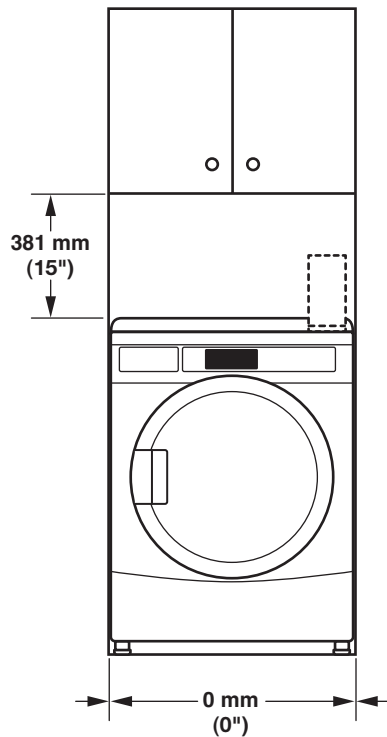
# DIMENSIONES Y ESPACIOS LIBRES

## Dimensiones

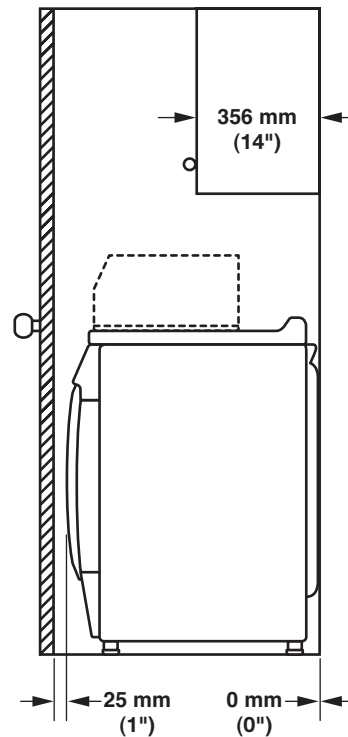


## Espacios libres

Vista frontal en el lugar empotrado



Vista lateral del clóset



# REQUISITOS DE INSTALACIÓN

## Ubicación

**⚠ ADVERTENCIA**



**Peligro de Explosión**

**Mantenga los materiales y vapores inflamables, tales como la gasolina, alejados de la secadora.**

**No instale en un garage.**

**No seguir estas instrucciones puede ocasionar la muerte, explosión o incendio.**

La secadora se puede instalar en un sótano, un cuarto para lavar, o un lugar empotrado.

Deberá tenerse en cuenta también los requisitos para la ubicación de otro electrodoméstico que le acompañe.

**IMPORTANTE:** No instale o almacene esta secadora donde estará expuesta a la intemperie. La instalación correcta es su responsabilidad.

### Necesitará:

- Un piso nivelado con un declive máximo de 25 mm (1") debajo de la secadora completa. No se recomienda la instalación de la secadora en superficies de suelo suave, como alfombras o superficies con soporte de espuma.
- Un piso resistente y firme que soporte la secadora con un peso total (carga) de 204 kg (450 lb).

### Espacios libres para la instalación

- El lugar debe ser lo suficientemente grande para permitir que la puerta de la secadora se abra completamente.
- Debe considerarse espacio adicional para facilitar la instalación y el servicio técnico. La puerta se abre más de 180°.
- Se podrían necesitar espacios libres adicionales para las molduras de la pared, de la puerta y el piso.
- Se recomienda un espacio adicional de 25 mm (1") en todos los lados de la secadora para reducir la transferencia de ruido.
- También se debe considerar espacio adicional para otro electrodoméstico que le acompañe.

### Instrucciones para la instalación empotrada y en clóset

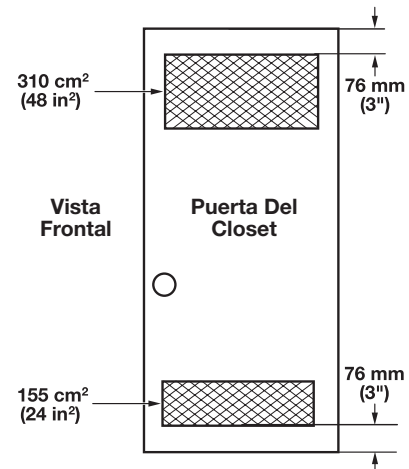
Esta secadora podrá instalarse en un área empotrada o en un clóset. La secadora no debe instalarse detrás de una puerta con llave, una puerta corrediza o una puerta con una bisagra en el lado opuesto al de la secadora, de tal forma que la puerta de la secadora no se pueda abrir del todo. Para las instalaciones en áreas empotradas y clósets, se pueden encontrar los espacios mínimos en la etiqueta de advertencia, en la parte posterior de la secadora o en la sección "Dimensiones y espacios libres".

El espacio de instalación se expresa en milímetros y es el mínimo permitido. Debe considerarse espacio adicional para facilitar la instalación, el servicio técnico y el cumplimiento de los códigos y ordenanzas locales.

Si se instala la puerta del clóset, las aberturas mínimas de ventilación sin obstrucciones en la parte superior e inferior de la puerta deben quedar como se muestra en el diagrama de abajo. Se aceptan puertas tipo persianas con aberturas de aire equivalentes.

La secadora deberá ventilarse al exterior.

**NOTA:** Para la instalación en Australia y Nueva Zelandia, consulte AS/NZS 5601.1 para obtener los requisitos de ventilación.



**NOTA:** Esta secadora no debe colocarse encima de una lavadora.

## Requisitos eléctricos

### ⚠ ADVERTENCIA



#### Voltaje Peligroso

Esta secadora se suministra sin cable eléctrico ni enchufe. Debe ser conectada por un electricista competente a un suministro eléctrico monofásico al voltaje mostrado en la placa, usando una instalación apropiada de cableado fijo de acuerdo con las normas de cableado locales y nacionales.

- Se debe usar un cable circular de 3 cables con un área de sección transversal de 4 mm<sup>2</sup> de tamaño conductor mínimo.
- Debe usarse un fusible de suministro de 30 A y deberá incluirse un interruptor con un contacto de separación en ambos polos que provea una desconexión completa bajo condiciones de voltaje excesivo de categoría III en el cableado fijo, de acuerdo con las normas de cableado locales. La secadora debe estar posicionada de manera que el interruptor de desconexión sea visible y de fácil acceso para el usuario. Este interruptor de desconexión también tiene la función de control de parada de emergencia para el usuario.
- Con la secadora se proporciona un casquillo de sujeción del cable, que debe apretarse al finalizar el cableado. Las terminales eléctricas principales están ubicadas detrás del pequeño panel de acceso trasero (cubierta del bloque de terminal), y las conexiones deben hacerse de acuerdo con las marcas del terminal. Recuerde que debe volver a colocar el panel de acceso del terminal (cubierta del bloque de terminal).

**NOTA:** De acuerdo con la Directiva EMC Europea (2014/30/EU) la impedancia máxima del sistema de suministro de electricidad máxima a la cual la secadora eléctrica debe estar conectada es 0,054 Ω + j0,034 Ω.

**NOTA:** Estándares de seguridad sobre electricidad: El fabricante ha elegido cumplir con los estándares IEC/EN.60335 por ser los más apropiados para este producto.

### ⚠ ADVERTENCIA



#### Peligro de choque eléctrico

**Este es un aparato de 3 hilos y debe estar conectado a tierra.**

**Ajuste bien todas las conexiones eléctricas.**

**No seguir estas instrucciones puede ocasionar la muerte, incendios o descargas eléctricas.**

Si los códigos lo permiten y se emplea una ligadura de conexión a tierra adicional, es recomendable que un electricista calificado determine si la trayectoria de conexión a tierra de la ligadura es adecuada.

#### Método recomendado de conexión a tierra

Es su responsabilidad ponerse en contacto con un instalador eléctrico calificado para asegurarse de que la instalación eléctrica sea adecuada y de conformidad con todos los códigos y ordenanzas locales.

- No conecte a tierra una tubería de gas.

# REQUISITOS DE VENTILACIÓN

## ⚠️ ADVERTENCIA



### Peligro de Incendio

Use un ducto de escape de metal pesado.

No use un ducto de escape de plástico.

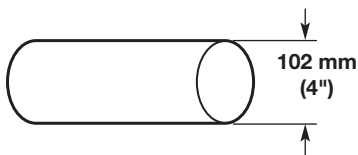
No use un ducto de escape de aluminio.

No seguir estas instrucciones puede ocasionar la muerte o incendio.

**ADVERTENCIA:** Para reducir el riesgo de incendio, esta secadora DEBE VENTILARSE HACIA EL EXTERIOR.

**IMPORTANTE:** Respete todos los códigos y las ordenanzas vigentes.

- Cumplir con estos requisitos de ventilación minimizará el ruido proveniente del aire en los ductos.
- El aire de escape no debe salir por un conducto para la salida de emanaciones de aparatos que queman gas u otros combustibles (es decir que el flujo de aire disponible dentro del ambiente debe coincidir con el flujo de aire fuera del ambiente).
- Debe existir una ventilación adecuada para evitar el contraflujo de gases dentro de la habitación por parte de aparatos que queman otros productos combustibles, incluidos fuegos abiertos.
- El ducto de escape de la secadora no debe conectarse a ningún ducto de gas, chimenea, pared, techo, desván, espacio angosto o el espacio oculto de un edificio. Deberá usarse solamente un ducto de metal rígido o flexible para la ventilación.
- No use capotas de ventilación con pestillos magnéticos.



Rejilla de escape de metal, pesada de 102 mm (4")

- Solo puede usarse un ducto de escape de metal pesado de 102 mm (4") y abrazaderas.
- No utilice un ducto de escape de plástico ni de aluminio.

### Ducto de escape de metal rígido:

- Se recomienda para un mejor desempeño en el secado y para evitar que se aplaste o se tuerza.

**Ducto de escape de metal flexible:** (Es aceptable solo si es accesible para la limpieza)

- Deberá extenderse por completo y tener soporte en la ubicación final de la secadora.
- Quite el exceso del mismo para evitar que se doble y se tuerza, lo cual podría dar lugar a una reducción del flujo de aire y a un rendimiento insuficiente.
- No instale un ducto de escape de metal flexible en paredes, techos o pisos encerrados.

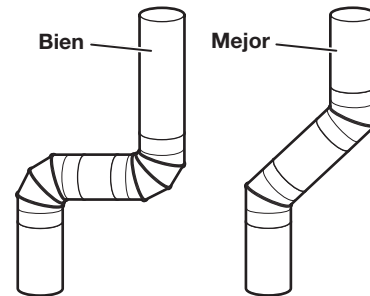
- La longitud total no deberá exceder los 2,4 m (7¾ pies).
- Una capota de ventilación debe tapar el ducto de escape para evitar el ingreso de roedores e insectos al edificio.

### NOTAS:

- Aunque normalmente cada secadora de una sola carga debe contar con una abertura de aire hacia el exterior sin obstrucciones de 24 pulgadas<sup>2</sup> (154 cm<sup>2</sup>) (basado en 1 pulgada<sup>2</sup> [6,5 cm<sup>2</sup>] por cada 1.000 BTU [252 kcal]), las aberturas de renovación de aire comunes también son aceptables. Establezca aberturas comunes de manera que la renovación de aire se distribuya de manera uniforme a todas las secadoras. Tenga en cuenta que el área de cobertura debe aumentar en un 33% para considerar el uso de reguladores o persianas en las aberturas. Además, las aberturas de renovación de aire no se deben instalar cerca de la ubicación donde los ductos de escape salen del edificio.
- Si se usa un sistema de ventilación existente, limpie la pelusa de toda la longitud del sistema y asegúrese de que la capota de ventilación no esté obstruida con pelusa. Reemplace los ductos de escape de plástico o de hoja de metal por ductos de metal rígido o de metal flexible. Revise el "Cuadro del sistema de ventilación" y, si es necesario, modifique el sistema de ventilación existente para lograr el mejor desempeño de secado.

### Codos:

- Los codos de 45° proveen un mejor flujo de aire que los codos de 90°.



- Planifique la instalación a fin de usar el menor número posible de codos y vueltas.
- Cuando use codos o haga vueltas, deje todo el espacio que sea posible. Doble el ducto gradualmente para evitar torceduras.
- La salida de ventilación está ubicada en el centro de la parte posterior de la secadora inferior.
- El ducto de escape puede ser dirigido hacia arriba, hacia abajo, a la izquierda, derecha, detrás de la secadora o directamente hacia atrás por la parte posterior de esta.

### Abrazaderas:

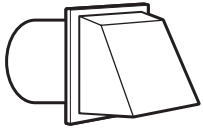
- Utilice abrazaderas para sellar todas las juntas.
- No debe conectarse ni asegurarse el ducto de escape con tornillos ni con ningún otro dispositivo de sujeción que se extienda hacia el interior de dicho ducto y atrape pelusa. No utilice cinta para ductos.



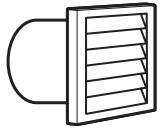
# REQUISITOS DE VENTILACIÓN

## Capotas de ventilación

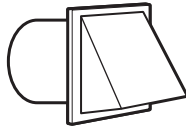
### Capotas extractoras de 102 mm (4") de diámetro



Capota cuadrada

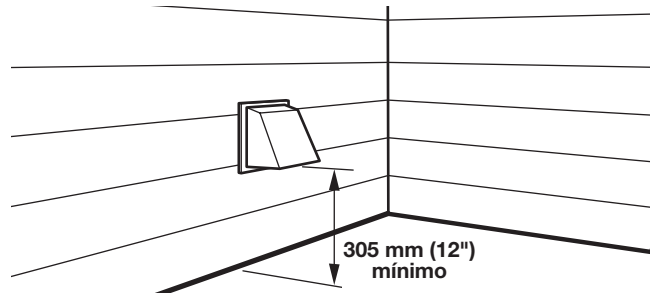


Capota de persianas



Capota en ángulo

La capota extractora debe estar al menos a 305 mm (12") desde el suelo o cualquier objeto que pueda interferir con la ventilación (como flores, rocas, arbustos o nieve).



## Largo del sistema de ventilación

### Largo máximo del ducto de ventilación/Conexión de la ventilación

La longitud máxima del sistema de ventilación depende del tipo de ventilación que use, la cantidad de codos y el tipo de capota extractora.

Tabla del sistema de ventilación (ducto de escape de metal rígido)

N.º de giros en 90°	Capotas de caja y tipo pestañas	Capota angular
0	39,6 m (130 pies)	39,3 m (129 pies)
1	38,1 m (125 pies)	36,3 m (119 pies)
2	35,1 m (115 pies)	33,2 m (109 pies)
3	32,3 m (106 pies)	30,5 m (100 pies)
4	29,9 m (98 pies)	28,0 m (92 pies)

Para los sistemas de ventilación que no se incluyan en el "Cuadro del sistema de ventilación", póngase en contacto con su distribuidor de piezas.

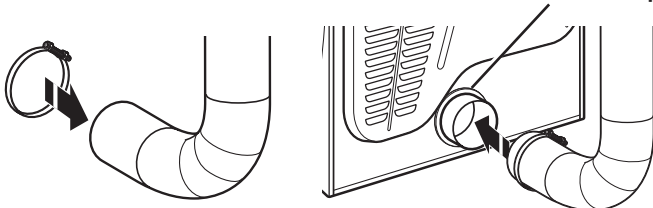
Se deben realizar provisiones para que haya suficiente aire para la combustión y la ventilación. (Verifique los códigos y reglamentos aplicables.) Vea "Instrucciones para la instalación empotrada o en clóset" en la sección "Ubicación".

Use de preferencia una capota de escape de 102 mm (4"). Sin embargo, puede usar una capota de escape de 64 mm (2½"). Un escape de 64 mm (2½") crea una presión posterior mayor que los otros tipos de capota. Para una instalación permanente, se necesita un sistema fijo de ventilación.

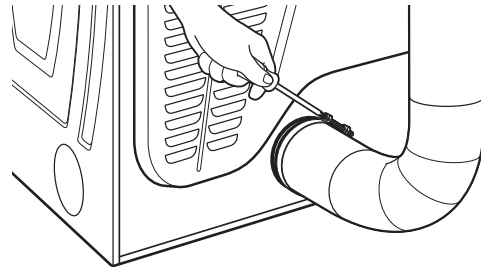
### Conexión del ducto de escape

1. Si se conecta a un ducto de escape existente, asegúrese de que el mismo esté limpio.
2. Usando una abrazadera de 102 mm (4"), conecte el ducto de escape a la salida de aire en la secadora.

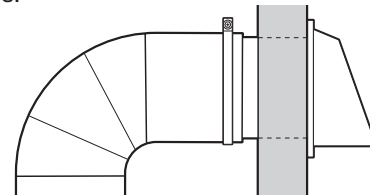
Collar del ducto de escape



**NOTA:** No quite el collar del ducto de escape.



3. Ajuste las abrazaderas de manguera con un destornillador Phillips.

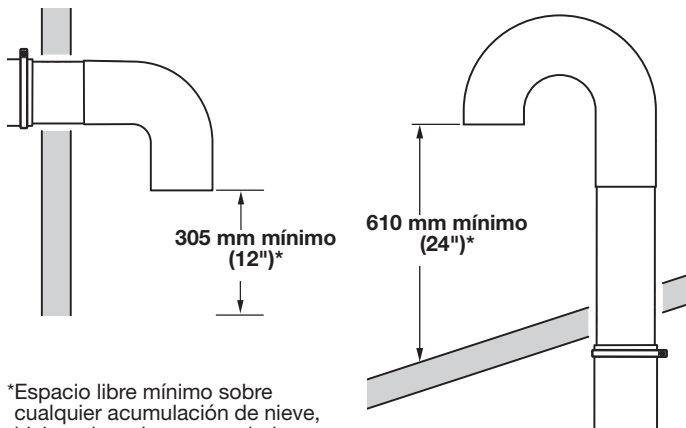


4. Cerciórese de que el ducto de escape esté fijo en la capota de escape con una abrazadera de 102 mm (4").
5. Traslade la secadora hasta su ubicación final. No aplaste ni retuerza el ducto de escape. Asegúrese de que la secadora esté nivelada.

# REQUISITOS DE VENTILACIÓN

## Si no se puede usar una capota de escape

El extremo de salida de un ducto de escape principal debe tener un codo que apunte hacia abajo.



Si el ducto principal está vertical hacia el techo, en lugar de pasar por el muro, instale un codo de 180° al extremo del ducto a 610 mm (2 pies) como mínimo por sobre la superficie del techo.

La abertura del muro o el techo debe tener un diámetro de 13 mm (1/2") más por sobre el diámetro del ducto. El ducto debe centrarse en la abertura.

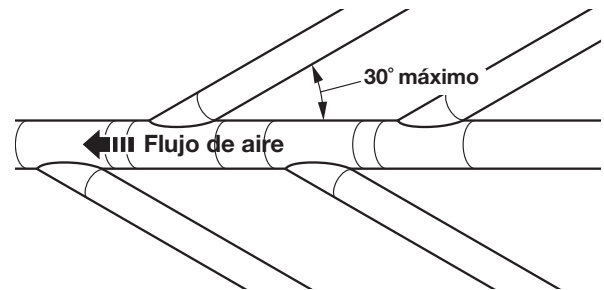
Para obtener el mejor desempeño, no debe instalar una pantalla sobre el extremo del ducto.

## Ventilación para múltiples secadoras

Puede usar un ducto principal para ventilar a un grupo de secadoras. El ducto principal debe tener el tamaño suficiente para remover 5663 L/min (200 CFM) de aire por secadora. Pueden usarse filtros de pelusa de gran capacidad con el diseño adecuado en el ducto principal si se controlan y se limpian con frecuencia. La habitación en donde estén ubicadas las secadoras deberá tener aire suficiente o mayor que los CFM de todas las secadoras en la habitación.

Su distribuidor tiene un kit de reguladores de contracorriente que se debe instalar en el ducto de cada secadora para evitar que el aire expulsado vuelva a entrar en las secadoras y mantener la expulsión en equilibrio dentro del ducto principal. Se requieren aberturas de aire de retorno sin obstrucciones.

Cada ducto debe unirse al ducto principal en un ángulo que apunte en la dirección del flujo de aire. Los ductos que entran del lado opuesto deberán alternarse para reducir la interferencia del aire de salida con los otros ductos.



El ángulo máximo de cada ducto que entra en el ducto principal deberá ser no más de 30°.

Mantenga las aberturas de aire libres de los gases de los líquidos de limpieza en seco. Las emanaciones crean ácidos que, cuando se extraen mediante las unidades de calefacción de la secadora, pueden dañar las secadoras y los artículos que esté secando.

Debe usarse una cobertura de limpieza en el ducto principal para limpiar periódicamente el sistema de ventilación.

# INSTALACIÓN DE LAS PATAS NIVELADORAS, EL DISPOSITIVO DE PAGO Y LA CAJA DE MONEDAS

El dispositivo de pago, el bloqueo del panel de control y la llave, además del seguro de la caja de monedas y la llave, no están incluidos pero pueden obtenerse a través de fuentes industriales comunes.

## **⚠️ ADVERTENCIA**

### **Peligro de Peso Excesivo**

**Use dos o más personas para mover e instalar la secadora.**

**No seguir esta instrucción puede ocasionar una lesión en la espalda u otro tipo de lesiones.**

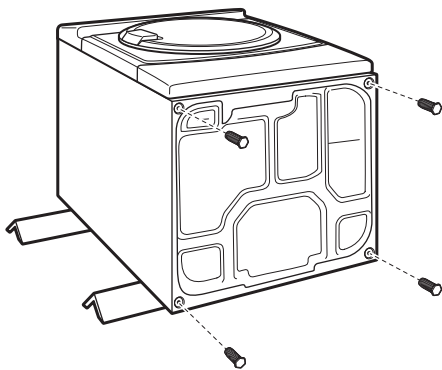
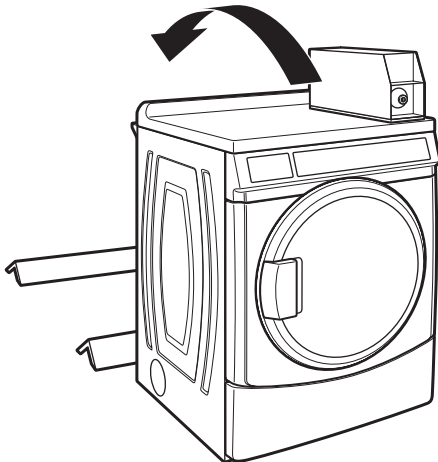
### **1. Prepare la secadora para las patas niveladoras**

**NOTA:** Deslice la secadora sobre un pedazo de cartón o madera dura antes de moverla por el piso para no dañar el acabado de éste.

Con la ayuda de dos o más personas, mueva la secadora al lugar deseado para su instalación.

Remueva la cinta de las esquinas frontales de la secadora. Abra la secadora y saque los paquetes que contienen la bolsa con documentos y las piezas. Limpie el interior de la secadora con un paño húmedo para quitar residuos de polvo.

Tome dos esquinales de cartón de la caja de la secadora y ubíquelos en el suelo en la parte de atrás de la secadora. Sujete con firmeza el cuerpo de la secadora y colóquela sobre su parte posterior, encima de los esquinales de cartón.



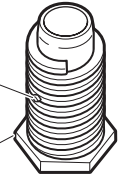
### **2. Atornille las patas niveladoras**

Examine las patas niveladoras y localice la marca en forma de diamante.

Atornille con la mano las patas en los orificios para éstas. Use una llave ajustable o con cabeza hexagonal de 25 mm (1") para terminar de girar las patas hasta que la marca de diamante ya no sea visible. Luego haga encajar una cubierta protectora sobre cada pata. Para pisos con pendientes muy pronunciadas, puede encontrar una pata niveladora más larga (número de pieza 279810).

Marca en forma de diamante

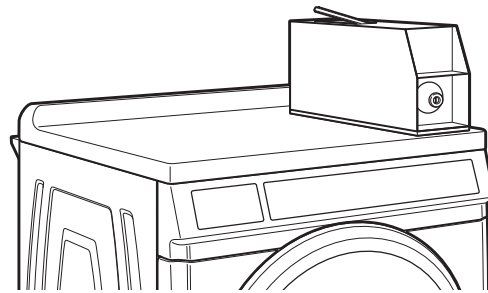
Pie



Para proteger el piso, use un pedazo de cartón grande de la caja de la secadora. Coloque la secadora en posición vertical sobre el cartón. Deslice la secadora cerca de su ubicación final. Deje suficiente espacio para la conexión eléctrica y para conectar el ducto de escape.

### **3. Instalación del dispositivo de pago y la caja de monedas**

Retire la puerta de servicio de la caja del contador levantándola por la parte posterior. Si corresponde, instale el dispositivo que recibe el dinero. (Consulte las instrucciones del fabricante para una instalación adecuada).



Reemplace la puerta de servicio de la caja del contador. Coloque la cámara acorazada con la cerradura y la llave en la abertura de la caja del contador.

Quite el cartón o la madera que se encuentra debajo de la secadora. Regule las patas de la secadora hacia arriba o hacia abajo hasta que esté nivelada.

# NIVELACIÓN

La nivelación adecuada de su secadora reduce el exceso de ruido y vibración.

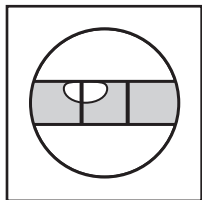
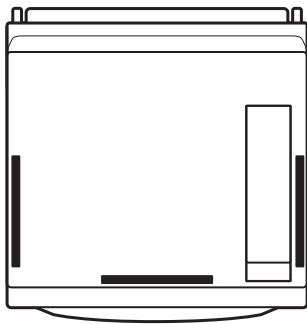
## ⚠ ADVERTENCIA

### Peligro de Peso Excesivo

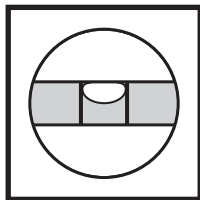
Use dos o más personas para mover e instalar la secadora.

No seguir esta instrucción puede ocasionar una lesión en la espalda u otro tipo de lesiones.

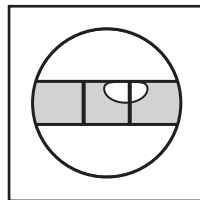
1. Retire el cartón de debajo de la secadora. Coloque un nivel en los bordes superiores de la secadora, revisando cada lado y el frente. Si la secadora no está nivelada, inclínela y ajuste las patas hacia arriba o hacia abajo, como se muestra en los pasos 3 y 4, repitiendo si es necesario.



No está nivelada

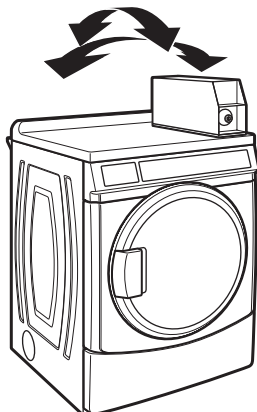


**NIVELADA**



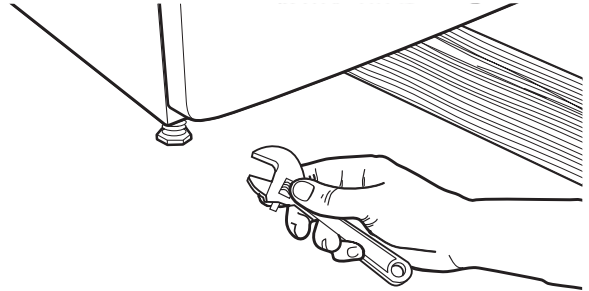
No está nivelada

2. Tome la secadora desde arriba y muévela de adelante hacia atrás, cerciorándose de que todas las patas estén firmes en el suelo. Repita lo anterior, moviendo la secadora de lado a lado. Si la secadora se mueve, vuelva al paso 3 y ajuste las patas de nivelación. Si las cuatro patas hacen contacto firme con el piso, vaya al paso 4.



3. Si la secadora no está nivelada, quite la cubierta de goma (de haberla usado) y luego utilice una llave ajustable o una llave de cabeza hexagonal de 25 mm (1") para girar las patas hasta completar el ajuste. Compruebe que la secadora esté nivelada cuando todas las patas hagan contacto firme con el piso y el nivel muestre que la parte superior de la secadora está nivelada de adelante hacia atrás y de lado a lado.

**CONSEJO ÚTIL:** Es probable que quiera elevar la parte delantera de la secadora aproximadamente 102 mm (4") con un bloque de madera o un objeto similar que soporte su peso.



4. Una vez que la secadora esté nivelada y que las cuatro patas hagan contacto firme con el piso, use una llave de tuercas o llave ajustable de 25 mm (1") para girar las tuercas en las patas niveladoras y apretarlas con firmeza contra la carcasa de la secadora.

**CONSEJO ÚTIL:** Puede apuntalar la secadora con un bloque de madera.

### **⚠ ADVERTENCIA**



#### **Peligro de choque eléctrico**

**Este es un aparato de 3 hilos y debe estar conectado a tierra.**

**Ajuste bien todas las conexiones eléctricas.**

**No seguir estas instrucciones puede ocasionar la muerte, incendios o descargas eléctricas.**

1. Revise los requisitos eléctricos. Asegúrese de contar con la fuente de electricidad correcta y el método recomendado de conexión a tierra. Consulte "Requisitos eléctricos".

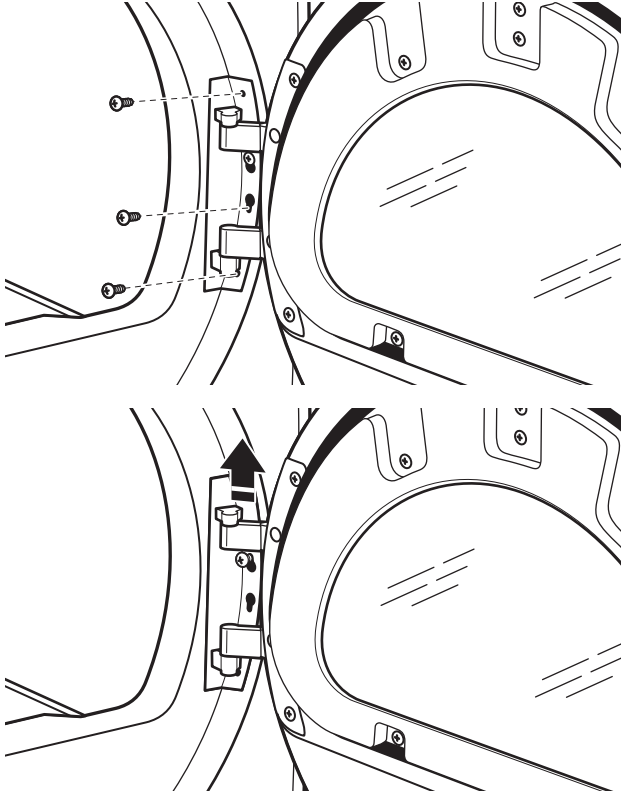
2. Verifique que todas las piezas estén ahora instaladas. Si hay una pieza extra, repita los pasos.
3. Verifique que tenga todas las herramientas.
4. Deseche o recicle todo el material de embalaje.
5. Conecte el suministro de energía.
6. Verifique el funcionamiento de la secadora. Seleccione un ciclo completo con calor y deje que la secadora funcione durante cinco minutos por lo menos. La secadora se detendrá cuando se haya transcurrido el tiempo.
7. No conecte a tierra una tubería de gas.

**NOTA:** La puerta de la secadora debe cerrarse para que la misma funcione. Cuando se abre la puerta, la secadora se detiene pero el temporizador continúa funcionando. Para reiniciar la secadora, cierre la puerta y presione el botón de ciclo.

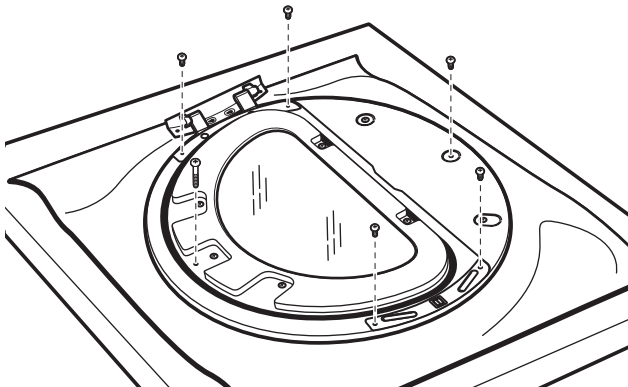
# CAMBIO DEL SENTIDO DE APERTURA DE LA PUERTA (OPCIONAL)

## Cómo quitar el ensamblaje de la puerta

1. Ponga una toalla o un paño suave sobre la secadora o el espacio de trabajo para evitar rayar la superficie.
2. Quite 3 de los 4 tornillos que sostienen la bisagra de la puerta en el panel frontal de la secadora. Afloje parcialmente el tornillo con bocallave restante y levante la puerta del tornillo para separarla.

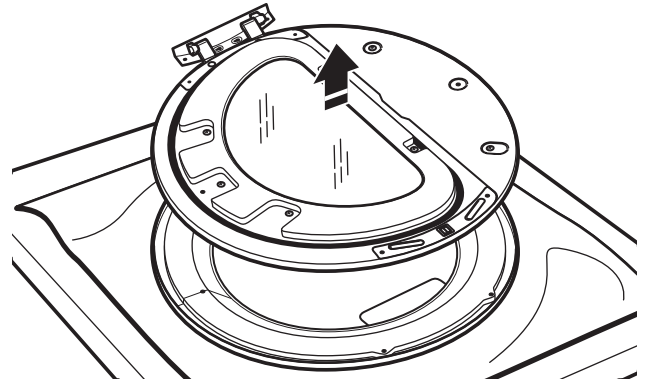


3. Coloque el ensamblaje de la puerta horizontalmente sobre una superficie plana que se haya preparado anteriormente, con el lado interior (el ensamblaje de la puerta interior) mirando hacia arriba, y quite los 6 tornillos de cabeza Phillips para separar el ensamblaje de la puerta exterior del ensamblaje de la puerta interior.

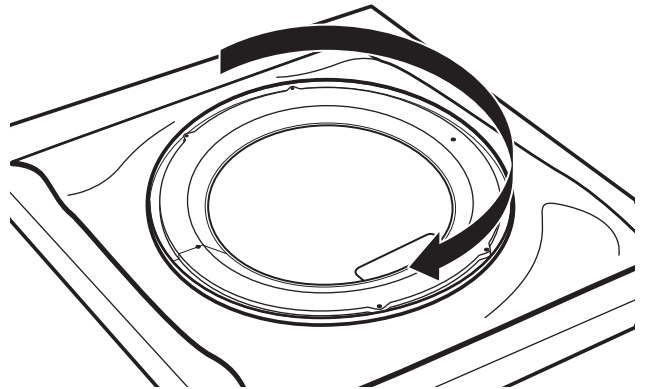


**NOTA:** Es importante que quite solamente los 6 tornillos indicados.

4. Levante el ensamblaje de la puerta interior y sepárelo del ensamblaje de la puerta exterior.

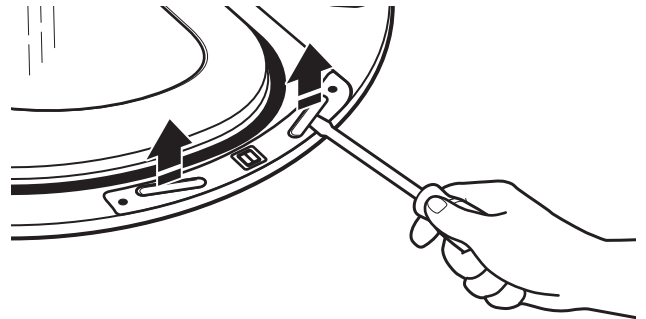


5. Gire la puerta exterior 180°.

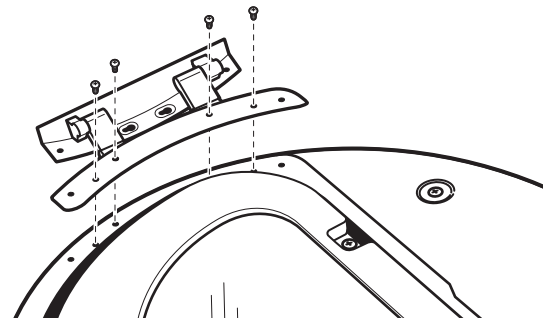


## Invierta las bisagras

1. Use un pequeño destornillador de hoja plana para quitar los 2 tapones largos de la puerta interior. Deslice la hoja del destornillador debajo de los enchufes, sin rayar la superficie de la puerta interior, y levante el tapón.

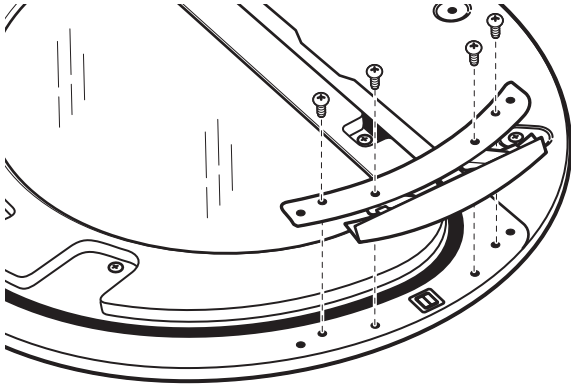


2. Quite los 4 tornillos que sujetan la puerta interior a la bisagra.

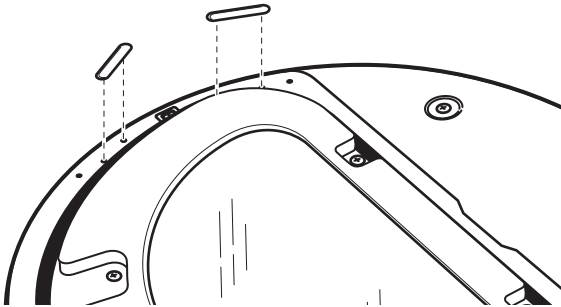


# CAMBIO DEL SENTIDO DE APERTURA DE LA PUERTA (OPCIONAL)

3. Mueva la bisagra al otro lado. Vuelva a instalar los 4 tornillos.



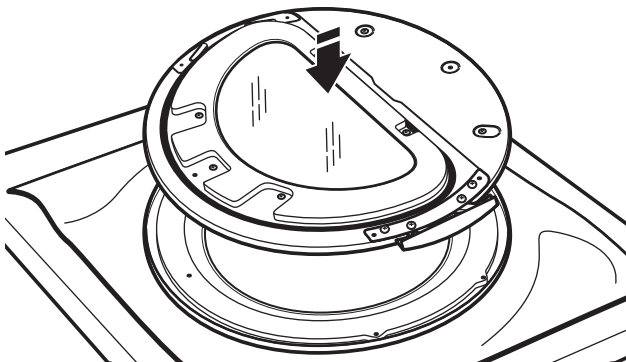
4. Reinstale las cintas de los tapones en el lado opuesto de la puerta interior.



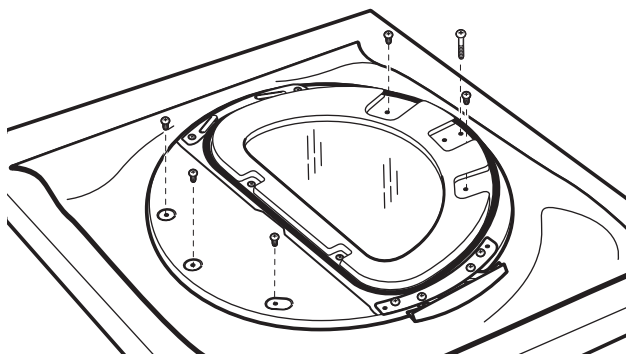
5. Fíjese si hay huellas digitales en el vidrio. Limpie si es necesario.

## Reemplace el conjunto de la puerta

1. Coloque el ensamblaje de la puerta interior dentro del ensamblaje de la puerta exterior.

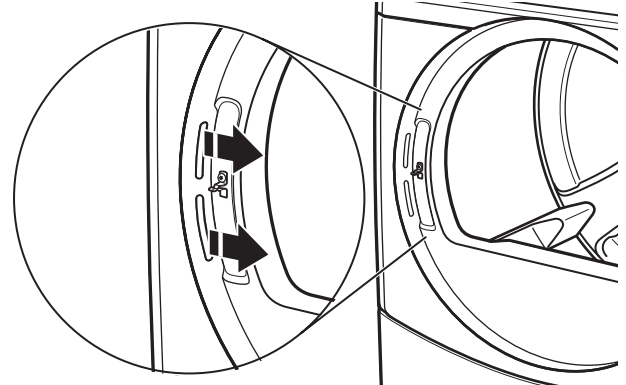


2. Vuelva a colocar los ensamblajes de la puerta exterior e interior con los 6 tornillos.

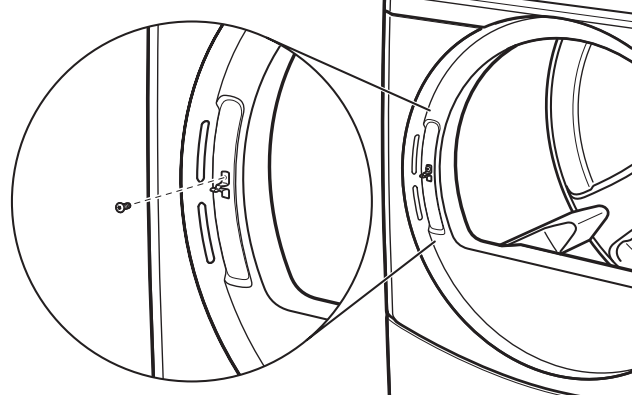


## Cómo invertir el tope

1. Retire las etiquetas para exponer los orificios de las bisagras.



2. Quite el tope con un destornillador Phillips.

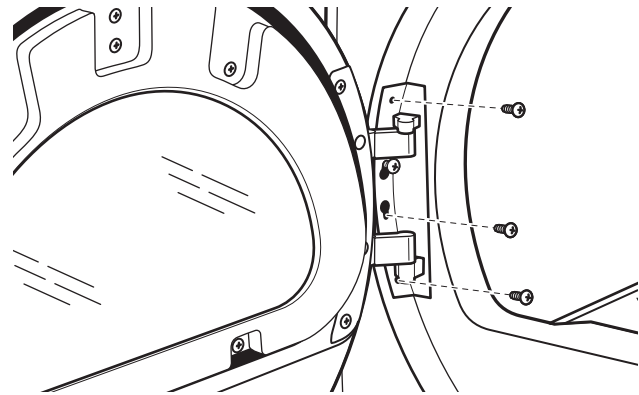


3. Inserte el tope en el lado opuesto.

4. Vuelva a aplicar las etiquetas en el lado opuesto. Si la etiqueta está dañada, solicite el número de referencia W11481394.

## Reinstale la puerta

1. Inserte parcialmente el tercer tornillo desde la parte superior; luego deslice la bisagra sobre este tornillo mientras engancha la bisagra en el orificio frontal del panel. Vuelva a sujetar la puerta al panel frontal de la secadora con los 3 tornillos restantes.



2. Fíjese si hay huellas digitales en el vidrio. Limpie si es necesario.

3. Cierre la puerta y compruebe que se cierra con seguridad.

# INSTRUCCIONES DE MANTENIMIENTO

---

- Limpie el filtro de pelusa antes y después de cada ciclo.
- Eliminación de pelusa acumulada:
  - En el interior de la carcasa de la secadora:  
Según el uso de la secadora, se debe quitar la pelusa cada 2 años o con más frecuencia. La limpieza deberá efectuarla una persona calificada.
  - En el ducto de escape:  
Según el uso de la secadora, se debe quitar la pelusa cada 2 años o con más frecuencia.

## **Si la secadora no funciona, revise lo siguiente:**

- Que el suministro eléctrico esté conectado.
- Que el cortacircuitos no se disparó o el fusible de la casa no está quemado.
- Que la puerta esté cerrada. Escuche atentamente para oír cuando se active el interruptor de la puerta.
- El botón de selección de ciclos se ha presionado con firmeza y la pantalla muestra la duración del ciclo.

# SI NECESITA ASISTENCIA

---

Dirija todas las peticiones de servicio al distribuidor de productos comerciales de lavandería Maytag donde compró el dispositivo.

Cuando llame, tenga a mano la fecha de compra y los números completos de modelo y de serie del aparato. Esta información nos ayudará a atender mejor a su pedido.

# INSTRUCCIONES DE PROGRAMACIÓN DEL CONTROL ELECTRÓNICO

## IMPORTANTE

### Componentes electrónicos sensibles a la descarga electrostática (ESD)

Los problemas de descarga electrostática se encuentran presentes en cualquier lugar. Las descargas electrostáticas pueden dañar o debilitar el ensamblaje del control electrónico. El nuevo ensamblaje del control puede parecer que funciona bien después de que se haya terminado la reparación, pero podrían ocurrir fallas en una fecha posterior debido a la tensión provocada por la descarga electrostática.

- Utilice una correa antiestática para muñeca. Conecte la correa para muñeca al punto verde de conexión a tierra, o al metal que no esté pintado en el aparato.

-O BIEN-

Toque repetidamente con su dedo un punto verde de conexión a tierra, o un metal que no esté pintado en el aparato.

- Antes de sacar la pieza de su paquete, toque un punto verde de conexión a tierra o un metal en el electrodoméstico que no esté pintado con la bolsa antiestática.
- Evite tocar las piezas electrónicas o los contactos terminales; manipule el ensamblaje del control electrónico solamente por los bordes.
- Cuando vuelva a empacar el ensamblaje del control electrónico fallado en una bolsa antiestática, observe las instrucciones anteriores.

## Información general para el usuario

**SE MUESTRA “OUT OF ORDER” (Fuera de servicio) EN LA PANTALLA:** Esta condición indica que la secadora no funciona. Al mensaje de desplazamiento le seguirá un código de diagnóstico o de falla.

**SE MUESTRA “0 MINUTES” (0 minutos) EN LA PANTALLA:** Esto indica que finalizó el ciclo y que la secadora no se puede operar. Las monedas que se hayan colocado o los ingresos de tarjeta de débito permanecerán en el depósito, pero no se pueden utilizar hasta que se abra y se cierre la puerta, lo cual reanuda el funcionamiento normal. Si falla un interruptor de una puerta, éste se debe sustituir antes de que se pueda reanudar el funcionamiento normal.

**ARRANQUE EN FRÍO (primer uso inicial):** La secadora está programada de fábrica de la siguiente manera:

Tiempo de secado de 45 minutos para los modelos PN/PR; 5 minutos por moneda para los modelos PD.

Precio de secado de \$1,50 (ciclo fijo con tiempo adicional – modelos PD).

Precio de secado de \$0,00 (ciclo fijo – modelos PN/PR).

**INICIO EN CALIENTE (después de un corte de corriente):** Si un ciclo se encontraba funcionando cuando ocurrió un corte de corriente, unos segundos después de que la misma se restablezca, destellará “RESELECT CYCLE” (Volver a elegir el ciclo) en la pantalla. Esto indica la necesidad de que se presione un botón de selección de telas para reiniciar la secadora.

**PRECIO:** Después de que se abre y cierra la puerta tras un ciclo finalizado, la pantalla indica el precio del ciclo (a menos que esté configurado para funcionar sin cobrar). A medida que caen las monedas o llega el pago con débito, la pantalla cambiará para guiar al usuario para que comience un ciclo.

Hay cuatro (4) tipos de precios para la secadora:

### Precio fijo de “venta”

Una secadora programada para un funcionamiento de “ciclo fijo” solamente puede aceptar tiempo adicional que se haya acumulado en incrementos iguales a la duración de un ciclo de secado completo. Se puede comprar un máximo de 75 minutos y no se da crédito adicional cuando aparece 75 minutos en la pantalla.

### Precio del acumulador

Si el precio se ha fijado a una moneda 1, el precio del acumulador entra en efecto. El tiempo del ciclo se puede comprar con una moneda a la vez (modelos PD), hasta un tiempo máximo de 75 minutos.

### Ciclo fijo con precio por tiempo adicional

Una secadora programada con la función “Top Off” (tiempo adicional) permitirá que se agregue tiempo a un ciclo de secado en funcionamiento, en incrementos iguales al número de minutos de secado por moneda (moneda 1), hasta 75 minutos, independientemente del monto necesario para poner en marcha la secadora. No se darán créditos por las monedas o el débito ingresado cuando aparecen 75 minutos en la pantalla.

**Modelos PN programados como PR:** En el modo mejorado de tarjeta de débito, el precio por tiempo adicional se puede fijar de manera independiente (consulte VALOR DE MONEDA 2), y el tiempo adicional se calcula según la siguiente ecuación:

$$\frac{\text{precio por tiempo adicional}}{\text{precio de ciclo completo}} = \frac{\text{cantidad de tiempo adicional}}{\text{duración de ciclo completo}}$$

Los incrementos con centavos no están permitidos en las compras de tiempo adicional.

**Modelos PN/PR:** El precio del ciclo ha sido prefijado de fábrica en cero. Cuando esto ocurre, aparecerá “SELECT CYCLE” (Seleccionar ciclo) en lugar del precio del ciclo. Todos los ciclos que comienzan como ciclos gratuitos finalizarán cuando abra la puerta.

**LISTA PARA TARJETA DE DÉBITO:** Esta secadora tiene un control que está listo para tarjeta de débito, pero la secadora no lo está.

## Pantalla

Después de que se instale y enchufe la secadora, la pantalla mostrará “0 minutes” (0 minutos).

### Modelos PD



Una vez que se haya enchufado la secadora y se haya abierto y cerrado la puerta, se mostrará el precio de venta en la pantalla. Los modelos PN/PR están configurados de fábrica para dar ciclos gratuitos; destellará “SELECT CYCLE” (Seleccionar ciclo) en la pantalla.

### Modelos PN/PR



# INSTRUCCIONES DE PROGRAMACIÓN DEL CONTROL ELECTRÓNICO

## Procedimientos para la preparación del control

**IMPORTANTE:** Lea todas las instrucciones antes de usarla.

Los botones para la selección de las telas y la pantalla digital se utilizan para programar los controles de la secadora.

En la pantalla se pueden mostrar 4 números y/o letras y un punto decimal. Estos se usan para indicar los códigos de la preparación y los valores relacionados de los códigos para el uso de la programación de la secadora.

### Cómo utilizar los botones para programar los controles

1. El botón WHITES AND COLORS (Ropa blanca y de color) se usa para ajustar los valores asociados con los códigos de programación. Presionar el botón cambiará el valor en incrementos. Se puede hacer ajustes rápidamente si se mantiene presionado el botón.
2. El botón DELICATES (Ropa delicada) le permitirá ver los códigos de preparación en la pantalla. Presionar este botón hará avanzar la pantalla al siguiente código de programación disponible. Mantener presionado el botón DELICATES (Ropa delicada) le muestra automáticamente todos los códigos de programación a una velocidad más rápida que 1 por segundo.
3. El botón STOP/PAUSE (Detener/Pausar) se usa para seleccionar o quitar opciones.

## Iniciar la preparación del funcionamiento

- Modelos PD: Inserte la llave en la puerta de servicio, gírela y levante para quitar la puerta de servicio.
- Modelos PN/PR: Quite el alambre de cierre AA1 del tablero de control; vea el procedimiento o use el código de acceso de servicio que está a continuación. Una vez que se haya instalado el lector de tarjeta de débito (según las instrucciones del fabricante de lectores), se puede ingresar al modo de preparación insertando la tarjeta de programación manual (provista por el fabricante de lectores) en la ranura para tarjeta. Si no hay una tarjeta de programación manual disponible, no podrá ingresarse en el modo manual de programación. Sin embargo, se puede acceder al modo de diagnóstico quitando el conector AA1 en el tablero de circuitos.

**IMPORTANTE:** La consola no se debe abrir a menos que se haya desconectado el suministro eléctrico a la secadora. Para tener acceso al conector AA1:

- Desenchufe la secadora o desconecte el suministro eléctrico.
- Abra la consola, desconecte el enchufe en AA1 y luego cierre la consola.
- Enchufe la secadora o reconecte el suministro de energía.
- Modelos PN/PR equipados con interruptor de programación: Inserte la llave del panel de acceso y gírela en dirección contraria a las manecillas del reloj.
- Modelos PN/PR con lector de tarjetas de débito de generación 2: Una vez que se haya instalado el lector de tarjeta de débito de generación 2 (según las instrucciones del fabricante de lectores), solo se puede ingresar al modo de preparación insertando la tarjeta de programación manual (provista por el fabricante de lectores) en la ranura para tarjeta.

- Si no hay una tarjeta de programación manual disponible, podrá ingresarse solamente en el modo de diagnóstico.
- El código de acceso de servicio alternativo para ingresar al modo de programación consiste en presionar los siguientes botones en esta secuencia: Botón izquierdo, botón derecho, botón izquierdo, botón derecho y botón derecho.

**NOTA:** Esta secadora viene programada de fábrica y no necesita programación adicional. Sin embargo, si desea cambiar los ajustes, siga la siguiente guía "Códigos de programación". Los modelos PD requieren un sistema de pago o que se instale un juego OPL previo al funcionamiento.

- Las unidades PD se preparan previamente de fábrica para tener un precio fijo con tiempo adicional.
- Las secadoras PN/PR están prefijadas para un funcionamiento con ciclos fijos, por lo que pueden funcionar sin pago.

## Códigos de programación

- El botón DELICATES (Ropa delicada) le mostrará código por código.
- El botón WHITE AND COLORS (Ropa blanca y de color) cambiará el valor del código.
- El botón STOP/PAUSE (Detener/Pausar) seleccionará o quitará opciones.

**MODELOS PN/PR:** Los códigos de programación son los mismos que para el modelo PD salvo cuando se menciona.

# INSTRUCCIONES DE PROGRAMACIÓN DEL CONTROL ELECTRÓNICO

El código de preparación se indica con uno o dos caracteres al lado izquierdo. El valor del código se indica con dos o tres caracteres al lado derecho.

**NOTA:** El primer renglón de cada código indica el ajuste de fábrica.

Código	Explicación
6 06	<b>PRECIO DE CICLO NORMAL</b>
6 06	Representa la cantidad de monedas de 25 centavos (moneda 1) necesarias para hacer andar la máquina; se puede ajustar de 0 a 39. (Vea la programación b.xx para VALOR DE MONEDA 1). Avance de 0 a 39 presionando el botón WHITES AND COLORS (Ropa blanca y de color). Ajuste de fábrica de 6 x moneda 1.
6 00	<b>MODELOS PN/PR ÚNICAMENTE:</b> Ajuste de fábrica de 6 00 o 0 monedas. <ul style="list-style-type: none"> <li>• Presione el botón DELICATES (Ropa delicada) una vez para avanzar al siguiente código.</li> </ul>
7 05	<b>TIEMPO NORMAL DE SECADO</b>
7 05	<b>MODELOS PD:</b> Representa el número de minutos por cada moneda (moneda 1). Ajuste de fábrica de 5 minutos por cada moneda. Ejemplo: 6 monedas x 5 minutos = 30 minutos. Al presionar el botón WHITES AND COLORS (Ropa blanca y de color), el valor se configura de 1 a 75 minutos.
7 45	<b>MODELOS PN/PR:</b> Representa la duración del ciclo para los ciclos gratuitos. Ejemplo: "7 45" = 45 minutos. <ul style="list-style-type: none"> <li>• Presione el botón DELICATES (Ropa delicada) una vez para avanzar al siguiente código.</li> </ul>
8 00	<b>TIPO DE PRECIOS DE SECADO</b>
8 00	Ciclo fijo con tiempo adicional. Para ver una descripción detallada, consulte "Información general para el usuario".
8 FC	<b>MODELOS PN/PR ÚNICAMENTE:</b> Ajuste de fábrica de Fixed Cycle (FC) (ciclo fijo). Para ver una descripción detallada, consulte "Información general para el usuario". Use el botón STOP/PAUSE (Detener/Pausar) para cambiar esta selección. <ul style="list-style-type: none"> <li>• Presione el botón DELICATES (Ropa delicada) una vez para avanzar al siguiente código.</li> </ul>
9 00	<b>OPCIÓN DE CONTADOR DE CICLO</b> Esta opción NO ESTÁ SELECCIONADA "OFF" (Desactivada) o ESTÁ SELECCIONADA "ON" (Activada).
9 00	No seleccionado "OFF" (Desactivada).
9 0C	Seleccionado "ON" (Activada) y no se puede desactivar. <ul style="list-style-type: none"> <li>• Presione el botón STOP/PAUSE (Detener/Pausar) 3 veces consecutivas para seleccionar "ON" (Activada). Cuando esté seleccionado "ON" (Activada) no se puede desactivar.</li> <li>• Presione el botón DELICATES (Ropa delicada) una vez para avanzar al siguiente código.</li> </ul>

**Si el contador del ciclo (9 0C) está seleccionado, ocurre lo siguiente:**

1 00	Ciclos de a CIENTOS	1 <u>02</u> = 200
2 00	Ciclos de a UNO	2 <u>25</u> = 25

TOTAL DE CICLOS = 225

Esta opción es "VIEW ONLY" (Solo visualización) y no se puede borrar.

- Presione el botón DELICATES (Ropa delicada) una vez para avanzar al siguiente código.

Código	Explicación
1. 00	<b>OPCIÓN DE CONTADOR DE DINERO</b> Esta opción NO ESTÁ SELECCIONADA "OFF" (Desactivada) o ESTÁ SELECCIONADA "ON" (Activada).
1. 00	No seleccionado "OFF" (Desactivada).
1. 0C	Seleccionada "ON" (Activada). <ul style="list-style-type: none"> <li>• Presione el botón STOP/PAUSE (Detener/Pausar) 3 veces consecutivas para seleccionar "ON" (Activada) y otras 3 veces consecutivas para quitar "OFF", (Desactivada). El contador pone la cuenta en cero cuando se cambia de "OFF" (Desactivada) a "ON" (Activada).</li> </ul>
1. C0	Seleccionado "ON" (Activada) y no se puede desactivar. <ul style="list-style-type: none"> <li>• Para seleccionar "ON" (Activada) y que no se pueda anular la selección, seleccione primero "ON" (Activada) y luego en menos de dos segundos, presione 2 veces el botón STOP/PAUSE (Detener/Pausar), el botón WHITES AND COLORS (Ropa blanca y de color) 1 vez y salga del modo de programación.</li> <li>• Presione el botón DELICATES (Ropa delicada) una vez para avanzar al siguiente código.</li> </ul>
2. 00	<b>OPCIONES DE PRECIO ESPECIAL</b> Esta opción NO ESTÁ SELECCIONADA "OFF" (Desactivada) o ESTÁ SELECCIONADA "ON" (Activada).
2. 00	No seleccionada "OFF" (Desactivada).
2. SP	Seleccionada "ON" (Activada). <ul style="list-style-type: none"> <li>• Presione el botón STOP/PAUSE (Detener/Pausar) una vez para cambiar esta selección.</li> </ul>

**Si la OPCIÓN DE PRECIO ESPECIAL está seleccionada, se puede acceder a los códigos desde "3.XX" hasta "9.XX".**

- Presione el botón DELICATES (Ropa delicada) una vez para avanzar al siguiente código.

**Si el contador de dinero (1.0C o 1.C0) está seleccionado, ocurre lo siguiente:**

3 00	Cantidad de monedas de a CIENTOS	3 <u>01</u> = 100,00
4 00	Cantidad de monedas de a UNO	4 <u>68</u> = 68,00
5 00	Cantidad de monedas en CENTAVOS	5 <u>75</u> = 00,75
		<b>TOTAL = 168,75</b>

# INSTRUCCIONES DE PROGRAMACIÓN DEL CONTROL ELECTRÓNICO

## OPCIONES 3.XX A 9.XX QUE DEBE UTILIZAR SI SE HA SELECCIONADO PRECIO ESPECIAL

Código	Explicación
3. 06	<b>PRECIO DE CICLO ESPECIAL</b>
3. 06	Representa la cantidad de monedas (moneda 1) necesarias para encender la secadora; se puede ajustar de 0 a 39. (Vea la programación b.xx para VALOR DE MONEDA 1). <ul style="list-style-type: none"> <li>• Avance de 0 a 39 presionando el botón WHITES AND COLORS (Ropa blanca y de color). Ajuste de fábrica de 6 x moneda 1.</li> </ul>
3. 00	<b>MODELOS PN/PR ÚNICAMENTE:</b> Ajuste de fábrica de 0 monedas. <ul style="list-style-type: none"> <li>• Presione el botón DELICATES (Ropa delicada) una vez para avanzar al siguiente código.</li> </ul>
4. 05	<b>TIEMPO DE SECADO ESPECIAL</b>
4. 05	<b>MODELOS PD:</b> Representa el número de minutos por cada moneda (moneda 1). <ul style="list-style-type: none"> <li>• Predeterminado de fábrica de 5 minutos por moneda. Ejemplo: 6 monedas x 5 minutos = 30 minutos.</li> <li>• Al presionar el botón WHITES AND COLORS (Ropa blanca y de color), el valor se puede ajustar de 1 a 75 minutos.</li> </ul>
4. 45	<b>MODELOS PN/PR:</b> Representa la duración del ciclo para los ciclos gratuitos. Ejemplo: "4 45" = 45 minutos. <ul style="list-style-type: none"> <li>• Presione el botón DELICATES (Ropa delicada) una vez para avanzar al siguiente código.</li> </ul>
5. 00	<b>RELOJ CON LA HORA DEL DÍA, MINUTOS</b>
5. 00	Este es el ajuste de minutos del RELOJ CON HORA DEL DÍA; seleccione de 0 a 59 minutos presionando el botón WHITES AND COLORS (Ropa blanca y de color). <ul style="list-style-type: none"> <li>• Presione el botón DELICATES (Ropa delicada) una vez para avanzar al siguiente código.</li> </ul>
6. 00	<b>RELOJ CON LA HORA DEL DÍA, HORAS</b> <b>NOTA:</b> Usa la hora militar o un reloj de 24 horas.
6. 00	Este es el ajuste de horas del RELOJ CON HORA DEL DÍA; seleccione de 0 a 23 horas presionando el botón WHITES AND COLORS (Ropa blanca y de color). <ul style="list-style-type: none"> <li>• Presione el botón DELICATES (Ropa delicada) una vez para avanzar al siguiente código.</li> </ul>

## OPCIONES 3.XX A 9.XX QUE DEBE UTILIZAR SI SE HA SELECCIONADO PRECIO ESPECIAL (CONT.)

Código	Explicación
7. 00	<b>HORA DE INICIO DEL PRECIO ESPECIAL</b> <b>NOTA:</b> Usa la hora militar o un reloj de 24 horas.
7. 00	Esta es la hora de inicio, 0 a 23 horas. <ul style="list-style-type: none"> <li>• Seleccione la HORA DE INICIO presionando el botón WHITES AND COLORS (Ropa blanca y de color).</li> <li>• Presione el botón DELICATES (Ropa delicada) una vez para avanzar al siguiente código.</li> </ul>
8. 00	<b>HORA DE FINALIZACIÓN DEL PRECIO ESPECIAL</b> <b>NOTA:</b> Usa la hora militar o un reloj de 24 horas.
8. 00	Esta es la hora de finalización, 0 a 23 horas. <ul style="list-style-type: none"> <li>• Seleccione la HORA DE FINALIZACIÓN presionando el botón WHITES AND COLORS (Ropa blanca y de color).</li> <li>• Presione el botón DELICATES (Ropa delicada) una vez para avanzar al siguiente código.</li> </ul>
9. 10	<b>DÍA DE PRECIO ESPECIAL</b>
9. 10	Esto representa el día de la semana y si el precio especial está seleccionado para ese día. Un número seguido por un "0" indica que no se hizo una selección para ese día en particular (9. 10). Un número seguido por la letra "S" indica que se hizo una selección para ese día (9. 1S). Los días de la semana (de 1 a 7) se seleccionan presionando el botón WHITES AND COLORS (Ropa blanca y de color). Presione una vez el botón STOP/PAUSE (Detener/Pausar) para seleccionar el precio especial para cada día elegido.

Cuando salga del código de programación "9". la pantalla debe mostrar el día de la semana actual:

PANTALLA	DÍA DE LA SEMANA	CÓDIGO (seleccionado)
10	Día 1 = domingo	1S
20	Día 2 = lunes	2S
30	Día 3 = martes	3S
40	Día 4 = miércoles	4S
50	Día 5 = jueves	5S
60	Día 6 = viernes	6S
70	Día 7 = sábado	7S

• Presione el botón DELICATES (Ropa delicada) una vez para avanzar al siguiente código.

A. 00	<b>OPCIÓN DE VISUALIZACIÓN DEL RECEPTÁCULO</b> Esta opción NO ESTÁ SELECCIONADA "OFF" (Desactivada) o ESTÁ SELECCIONADA "ON" (Activada).
A 00	No seleccionado "OFF" (Desactivada).
A. SC	Seleccionada "ON" (Activada). <ul style="list-style-type: none"> <li>• Presione el botón STOP/PAUSE (Detener/Pausar) una vez para cambiar esta selección. Cuando esté seleccionada, se podrá ver el recuento del dinero o el ciclo (si las opciones de contador están seleccionadas) al retirar la caja de las monedas.</li> <li>• Presione el botón DELICATES (Ropa delicada) una vez para avanzar al siguiente código.</li> </ul>

# INSTRUCCIONES DE PROGRAMACIÓN DEL CONTROL ELECTRÓNICO

Código	Explicación	Código	Explicación
b. 05	<b>VALOR DE MONEDA 1</b>	E. 00	No seleccionado "OFF" (Desactivada).
b. 05	Esto representa el valor de la moneda 1 en la cantidad de incrementos de 5% del mayor valor de moneda. $5 \times 5\% = 25\%$ . <ul style="list-style-type: none"> <li>Al presionar el botón WHITES AND COLORS (Ropa blanca y de color), hay una opción de 1 a 199 por la cantidad de incrementos de 5%. Con la activación del tragamonedas, esto representa el precio de venta total.</li> <li>Presione el botón DELICATES (Ropa delicada) una vez para avanzar al siguiente código.</li> </ul>	E. AC	Seleccionada "ON" (Activada). <ul style="list-style-type: none"> <li>Presione el botón STOP/PAUSE (Detener/Pausar) 3 veces consecutivas para cambiar esta selección.</li> </ul> <b>MODELOS PN/PR:</b> No se puede seleccionar esta opción. <ul style="list-style-type: none"> <li>Presione el botón DELICATES (Ropa delicada) una vez para avanzar al siguiente código.</li> </ul>
C. 20	<b>VALOR DE MONEDA 2</b>	J. Cd	<b>MEDIO DE PAGO (OPCIÓN DE MONEDA/DÉBITO)</b>
C. 20	Esto representa el valor de la moneda 2 en la cantidad de incrementos de 5% del mayor valor de moneda. $20 \times 5\% = 100\%$ . <p>Al presionar el botón WHITES AND COLORS (Ropa blanca y de color), hay una opción de 1 a 199 por la cantidad de incrementos de 5%.</p>	J. Cd	Se encuentran seleccionadas la opción de moneda y débito. (NO DISPONIBLE)
C. 05	<b>MODELOS PN/PR:</b> Esto representa el valor de la moneda 2 en la cantidad de incrementos de 5% del mayor valor de moneda. Ajuste de fábrica = $5 \times 5\%$ del mayor valor de moneda. <p><b>MODELOS PN/PR QUE USAN EL MODO MEJORADO PARA TARJETA DE DÉBITO:</b> Esto representa el valor de tiempo adicional en la cantidad de incrementos de 5% del mayor valor de moneda. Ajuste de fábrica = <math>5 \times 5\%</math> del mayor valor de moneda.</p> <ul style="list-style-type: none"> <li>Presione el botón DELICATES (Ropa delicada) una vez para avanzar al siguiente código.</li> </ul>	J. C_	Monedas seleccionadas, débito desactivado. Presione el botón STOP/PAUSE (Detener/Pausar) 3 veces consecutivas para cambiar esta selección.
d. 00	<b>OPCIÓN DE TRAGAMONEDAS</b> Esta opción NO ESTÁ SELECCIONADA "OFF" (Desactivada) o está SELECCIONADA "ON" (Activada). Será necesario volver a colocar la caja del contador para el montaje del tragamonedas.	J._d	<b>Modelos PN/PR:</b> El ajuste de fábrica es J._d. Tarjeta de débito seleccionada, pago con moneda desactivado. Presione el botón STOP/PAUSE (Detener/Pausar) 3 veces consecutivas para cambiar esta selección.
d. 00	No seleccionada "OFF" (Desactivada).	J. Ed	Cuando hay un lector de tarjeta de Generación 2 instalado en la secadora se selecciona automáticamente el débito mejorado. La opción Enhanced Debit (ED) (débito mejorado) no se puede seleccionar ni cancelar manualmente. (NO DISPONIBLE) <ul style="list-style-type: none"> <li>Presione el botón DELICATES (Ropa delicada) una vez para avanzar al siguiente código.</li> </ul>
d. CS	Seleccionada "ON" (Activada). <p><b>NOTA:</b> Deberá fijarse esta opción en "00", a menos que se haya cambiado la caja del contador para aceptar un dispositivo tragamonedas.</p> <ul style="list-style-type: none"> <li>Presione el botón STOP/PAUSE (Detener/Pausar) 3 veces consecutivas para hacer esta selección. Cuando se selecciona el modo de tragamonedas, fije la "b." en un valor igual al del tragamonedas en monedas. Fije "6 xx" (PRECIO NORMAL DE CICLO) y "3.xx" (PRECIO ESPECIAL DE CICLO) para las operaciones relacionadas con el número de tragamonedas. <math>6 \text{ 01} + 3 \text{ 01} = 1</math> empuje del tragamonedas.</li> </ul> <p><b>NOTA:</b> Si el instalador configura "CS" en un modelo con orificio para monedas, este no registrará las monedas.</p> <ul style="list-style-type: none"> <li>Presione el botón DELICATES (Ropa delicada) una vez para avanzar al siguiente código.</li> </ul>	L. 00	<b>OPCIÓN DE ANULACIÓN DE PRECIO</b> Esta opción NO ESTÁ SELECCIONADA "OFF" (Desactivada) o ESTÁ SELECCIONADA "ON" (Activada). Con esta opción, la pantalla muestra "ADD" (Agregar) o "AVAILABLE" (Disponible) en lugar del monto para agregar. (Se utiliza principalmente en las instalaciones con débito).
E. 00	<b>OPCIÓN DE AGREGAR MONEDAS</b> Esta opción NO ESTÁ SELECCIONADA "OFF" (Desactivada) o ESTÁ SELECCIONADA "ON" (Activada). Esta opción hace que la pantalla muestre el número de monedas (moneda 1) que se deben poner, en lugar de la cantidad.	L. 00	No seleccionado "OFF" (Desactivada).
		L. PS	Seleccionada "ON" (Activada). <ul style="list-style-type: none"> <li>Presione el botón STOP/PAUSE (Detener/Pausar) una vez para cambiar esta selección.</li> <li>Presione el botón DELICATES (Ropa delicada) una vez para avanzar al siguiente código.</li> </ul>
		n. CE	<b>OPCIÓN DE ELIMINAR DEPÓSITO</b> Esta opción NO ESTÁ SELECCIONADA "OFF" (Desactivada) o ESTÁ SELECCIONADA "ON" (Activada). Cuando la seleccione, el dinero que esté depositado durante 30 minutos sin más depósitos o actividad de ciclos se eliminará.
		n. 00	No seleccionado "OFF" (Desactivada).
		n. CE	Seleccionada "ON" (Activada). <ul style="list-style-type: none"> <li>Presione el botón STOP/PAUSE (Detener/Pausar) una vez para cambiar esta selección.</li> <li>Presione el botón DELICATES (Ropa delicada) una vez para avanzar al siguiente código.</li> </ul>

# INSTRUCCIONES DE PROGRAMACIÓN DEL CONTROL ELECTRÓNICO

Código	Explicación
U. 00	<b>COMPENSACIÓN DE INCREMENTO DE MONEDAS</b>
U. 00	Esto representa la compensación del precio en incrementos de centavos que se usa en los modelos PN/PR de generación 2 (débito mejorado). Elija de 0 a 4 centavos presionando el botón WHITES AND COLORS (Ropa blanca y de color). (NO DISPONIBLE) <ul style="list-style-type: none"><li>• Presione el botón DELICATES (Ropa delicada) una vez para avanzar al siguiente código.</li></ul>

## FINALIZACIÓN de los PROCEDIMIENTOS DE PROGRAMACIÓN

## FINALIZACIÓN de los PROCEDIMIENTOS DE PROGRAMACIÓN

### SALIDA DEL MODO DE PROGRAMACIÓN

- MODELOS PD: Vuelva a instalar la puerta de acceso.
- Modelos PN/PR en los cuales se quitó el enchufe AA1:
  1. Desenchufe la secadora o desconecte el suministro eléctrico.
  2. Abra la consola, vuelva a conectar el alambre de cierre en AA1 y cierre la consola.
  3. Enchufe la secadora o reconecte el suministro de energía.
- PN/PR CON INTERRUPTOR DE PROGRAMACIÓN: Gire la llave hacia la derecha y quítela.
- Si se ha usado el código de acceso de servicio para ingresar al código de programación:

Desde el código 8 de programación, presione el botón N° 1 durante 4 segundos, espere 2 minutos sin tocar ningún botón (sin que estén funcionando los modos de diagnóstico) o apague la secadora y vuelva a encenderla.

# NOTES

# NOTES

# NOTES

# NOTES

