

MPWD424

24" DUAL ZONE WINE REFRIGERATOR

MARVEL PROFESSIONAL COLLECTION



MAIN FEATURES

- 4.9 cu ft. capacity stores up to 40 bottles of wine
- Upper zone includes three 8-bottle glide-out wine racks
- Lower zone includes one 8-bottle glide-out wine rack and two 4-bottle glide out wine racks
- Vibration neutralization system protects wine from agitation
- Two independently controlled temperature zones
- Dynamic cooling technology delivers rapid cool down, frost-free operation, and temperature stability
- Argon-filled, UV-resistant tinted dual pane glass door options protect contents
- Digital controls allow you to select a temperature for each zone - Upper zone: 38°F to 65°F, Lower zone: 38°F to 65°F (The lower temperature must be equal to or greater than the upper temperature, maximum 20° higher)
- Door ajar and high/low temperature alerts
- Adjustable LED theater-style lighting in arctic white or sapphire blue
- Elegant midnight black interior
- Professional styling: Robust full-length handle and stainless steel accents
- Concealed soft close articulating door hinge
- Reversible door allows for right or left swing
- Door lock provides added security
- Built-in or freestanding
- Panel ready model requires 3/4" or 5/8" custom panel and handle (not supplied by Marvel)

FINISH OPTIONS



DOOR STYLE	MODEL NUMBER
Stainless Steel Frame Glass	MPWD424-SG31A
Panel Ready Frame Glass	MPWD424-IG31A
Solid Stainless Steel	MPWD424-SS31A
Solid Panel Ready	MPWD424-IS31A

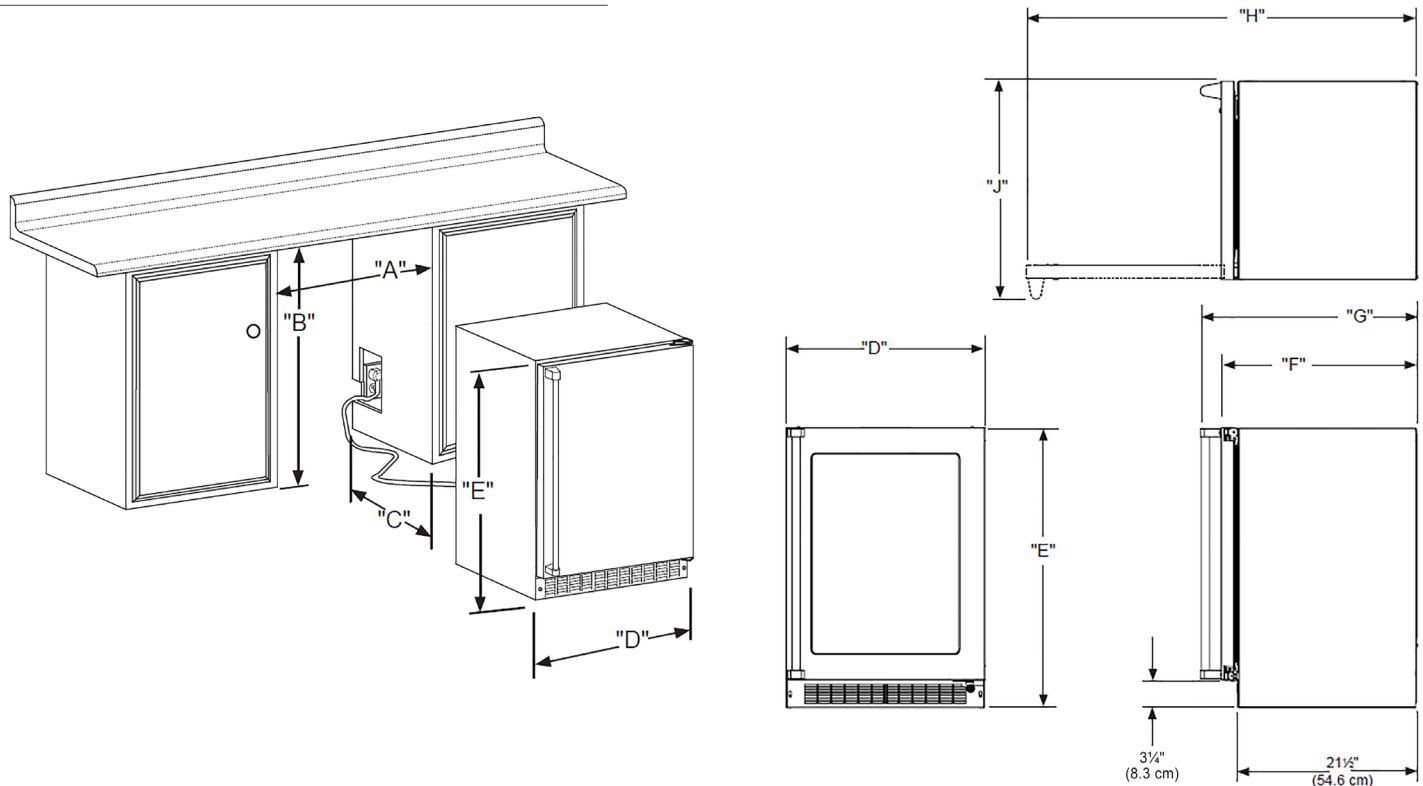
WARRANTY

- 3-year parts and labor warranty with product registration and 5-year sealed system parts warranty (see complete warranty for details)





DIMENSIONAL DRAWINGS



ROUGH IN DIMENSIONS*

"A"	"B"	"C"
24"	34" to 35"	24"
(61 cm)	(86.4 cm to 88.9 cm)	(61 cm)

CABINET DIMENSIONS*

"D"	"E"	"F"	"G"	"H"	"J"
23-7/8"	33-3/4" to 34-3/4"	23-5/8"*	26-1/8"*	47-3/4"*	26-3/8"*
(60.7 cm)	(85.7 cm to 88.3 cm)	(60 cm)	(66.4 cm)	(121.3 cm)	(67 cm)

*Stainless steel model dimensions only. For panel-ready models, see the owner's guide online at marvelrefrigeration.com.

PRODUCT SPECIFICATIONS

Capacity	4.9 cu. ft.
Cord Length	6 ft.
Electrical Requirements	115V / 60 Hz / 15A
ENERGY STAR	No
Panel Height	30-7/16" (77.3 cm)
Panel Thickness	5/8" (1.6 cm) or 3/4" (1.9 cm)
Panel Type	2-3/4" (7 cm) Frame Panel or Solid Panel
Panel Width	23-5/8" (60 cm)
Refrigerant Type	R600a

Sabbath Mode	Yes
Shipping Dimensions	28" W x 31" D x 37" H
Shipping Weight	160 lbs
Temperature Range	Upper Zone: 38°F to 65°F Lower Zone: 38°F to 65°F

For comprehensive installation instructions, including panel overlay details, please visit marvelrefrigeration.com to access the owner's guide. All specifications are subject to change without notice.

