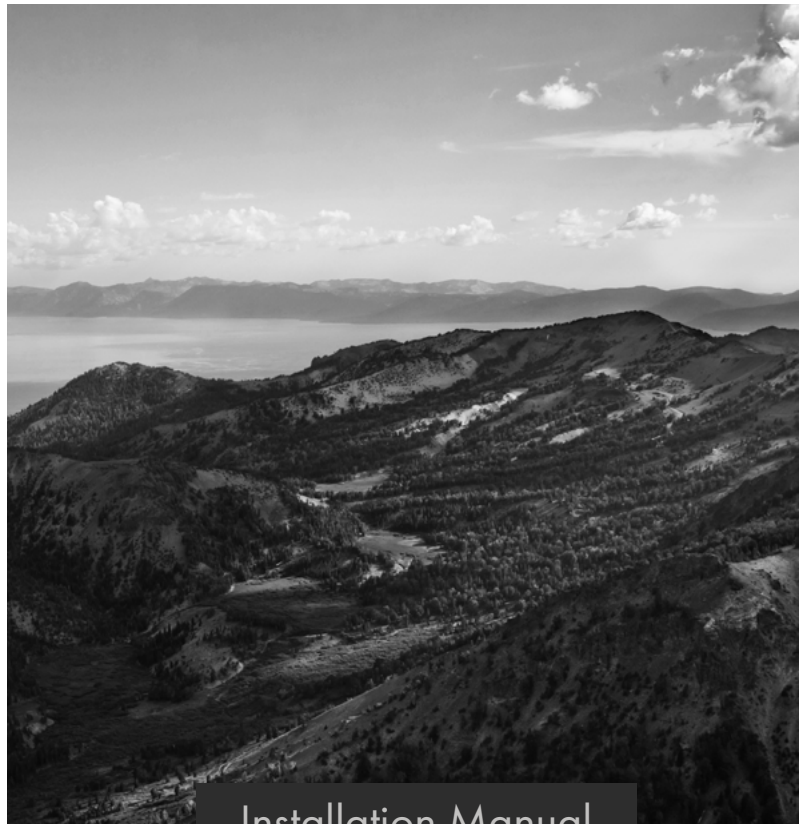


# ZLINE

ATTAINABLE LUXURY<sup>®</sup>



Installation Manual

## **OVER THE RANGE MICROWAVE OVEN MWO-OTR-30 SERIES**

[www.zlinekitchen.com](http://www.zlinekitchen.com)



ZLINE Kitchen and Bath provides Attainable Luxury, where the kitchen and bath of your dreams is never out of reach. Through our unique designs and unparalleled quality, we're dedicated to providing you an elevated experience in the heart of your home. With an endless selection of features and finishes, our inspiration is your reality.

**ZLINE**  
ATTAINABLE LUXURY®



ZLINE is fueled by a passion for innovation; A relentless pursuit of bringing the highest end luxury designs and professional features into everyone's homes.

Because we continually strive to improve our products, we may change specifications and designs without prior notice.

Scan the QR code to view the most up-to-date version of the Installation Manual and User Manual.

**⚠ WARNING:** This product can expose you to chemicals including nickel, which is known to the State of California to cause cancer. For more information, go to [www.P65Warnings.ca.gov](http://www.P65Warnings.ca.gov).

# TABLE OF CONTENTS

IMPORTANT SAFETY INSTRUCTIONS . . . . .	1
BEFORE INSTALLATION . . . . .	7
Electrical Requirements . . . . .	8
Tools Needed . . . . .	9
Product Dimensions . . . . .	10
INSTALLATION . . . . .	11
Placement Of The Mounting Plate . . . . .	12
Ducting . . . . .	18
Outside Top Exhaust . . . . .	21
Outside Back Exhaust . . . . .	28
Recirculating . . . . .	36
WARRANTY . . . . .	44

# IMPORTANT SAFETY INSTRUCTIONS



Before operation, please read and follow these important instructions for the safety of your home and the people living in it.

When using electrical appliances, basic safety precautions should be followed, including the following, to reduce the risk of burns, electric shock, fire, injury to persons or exposure to excessive microwave energy:

## INSTALLATION SAFETY

- Install or locate this appliance only in accordance with the provided installation instructions.
- Do not store this appliance outdoors. Do not use near water — for example, near a kitchen sink, in a wet basement, near a swimming pool, or similar location.
- This appliance is suitable for use above both gas and electric cooking equipment.
- Do not operate any heating or cooking appliance beneath, over, or near the appliance. It is OK to use the microwave above another heating appliance.
- Do not mount over any sinks.
- The appliance is intended to be used built-in.
- The appliance must not be installed behind a decorative door in order to avoid overheating.
- Do not place any object between the oven front face and the door or allow soil or cleaning residue to accumulate on sealing surfaces.

# IMPORTANT SAFETY INSTRUCTIONS

## OPERATIONAL SAFETY

- Use this appliance only for its intended use as described in the installation and user manual. Do not use corrosive chemicals or vapors in this appliance. This type of oven is specifically designed to heat or cook food. It is not designed for industrial or laboratory use.
- Do not attempt to operate this oven with the door open. This can result in harmful exposure to microwave energy.
- Do not break or tamper with the safety interlocks.
- Do not cover racks or any other part of the oven with metal foil. This will cause overheating of the oven.
- Do not cover or block any openings on the appliance.
- Do not store any materials, other than manufacturer's recommended accessories, in this oven when not in use.
- Do not store anything directly on top of the appliance surface when the appliance is in operation.
- Do not operate the microwave without food inside. Doing so may lead to power overloading. Never switch on the appliance unless there is food in the cooking compartment.
- The microwave oven is intended for heating food and beverages. Drying of food or clothing and heating of warming pads, slippers, sponges, damp cloths, and similar items may lead to risk of injury, ignition, or fire.
- Never pour water inside the oven. This will cause steam. The temperature change can cause damage.
- Do not trap anything in the appliance door. Even if the door is only slightly ajar, the fronts of adjacent units may be damaged over time.
- Children shall not play with the appliance. Keep the appliance and its cord out of reach of children.

# IMPORTANT SAFETY INSTRUCTIONS



The appliance and accessible parts become hot during use. Care should be taken to avoid touching heating elements. Metallic containers for food and beverages are not allowed during microwave cooking.

## PRECAUTIONS TO AVOID POSSIBLE EXPOSURE TO EXCESSIVE MICROWAVE ENERGY

- a. Do not attempt to operate this oven with the door open since open door operation can result in harmful exposure to microwave energy. It is important not to break or tamper with the safety interlocks.
  - b. Do not place any object between the oven front face and the door or allow soil or cleaner residue to accumulate on sealing surfaces.
  - c. Do not operate the oven if it is damaged. It is particularly important that the oven door close properly and that there is no damage to the:
    1. DOOR (bent)
    2. HINGES AND LATCHES (broken or loosened)
    3. DOOR SEALS AND SEALING SURFACES
  - d. The oven should not be adjusted or repaired by anyone except properly qualified service personnel.
- This appliance should be serviced only by qualified service personnel. Contact nearest authorized service facility for examination, repair, or adjustment.

# IMPORTANT SAFETY INSTRUCTIONS

## COOKING AND FOOD SAFETY

- When cooking foods under the hood, turn the fan on.
- Do not cover racks or any part of the oven with metal foil.
- When heating food in plastic or paper containers, keep an eye on the oven due to the possibility of ignition.
- Only use utensils suitable for use in microwave ovens.
- Care should be taken not to displace the turntable when removing containers from the appliance.
- The contents of feeding bottles and baby food jars must be stirred or shaken and the temperature checked before consumption in order to avoid burns.
- Do not store moist food in the oven for long periods.
- Do not use the appliance to store food. This can lead to corrosion.
- Oversized food or oversized metal utensils should not be inserted in the oven as they may create a fire or risk of electric shock.
- Using metal, aluminum, or other non-microwave-safe objects in the microwave function can cause sparks. Sparks can irreparably damage the glass on the inside the of the door.
- Do not use paper products when appliance is operated in the convection bake/roast modes.
- When using the convection bake/roast or convection + micro features, the plastic coupler and turntable ring inside the unit do NOT need to be removed; neither will be impacted by these forms of cooking.
- Some products, such as whole eggs and sealed containers — for example, closed glass jars — can explode and should not be heated in this oven.

# IMPORTANT SAFETY INSTRUCTIONS

- HOT CONTENTS CAN CAUSE SEVERE BURNS. DO NOT ALLOW CHILDREN TO USE THE MICROWAVE. Use caution when removing hot items.



**Liquids and other foods must not be heated in sealed containers since they are liable to explode.**

- Liquids such as water, coffee, or tea may be heated beyond the boiling point without appearing to be boiling. Visible bubbling or boiling when the container is removed from the microwave oven is not always present. THIS COULD RESULT IN VERY HOT LIQUID SUDDENLY BOILING OVER WHEN THE CONTAINER IS DISTURBED OR A UTENSIL IS INSERTED INTO THE LIQUID. To reduce the risk of injury to persons:
  1. Do not overheat the liquid.
  2. Stir the liquid both before and halfway through heating it.
  3. Do not use straight-sided containers with narrow necks.
  4. After heating, allow the container to stand in the microwave oven for a short time before removing the container.
  5. Use extreme care when inserting a spoon or other utensil into the container.

# IMPORTANT SAFETY INSTRUCTIONS

- To reduce the risk of fire in the oven cavity:
  1. Do not overcook food. Carefully tend to the oven when paper, plastic, or other combustible materials are placed inside the oven to facilitate cooking.
  2. Remove wire twist-ties from paper or plastic bags before placing bags in the oven.
  3. If materials inside the oven ignite, keep oven door closed, turn oven off, and disconnect the power cord, or shut off power at the fuse or circuit breaker panel.
  4. Do not use the oven cavity for storage purposes.
  5. Do not leave paper products, cooking utensils, or food in the cavity when not in use.
  6. If smoke is emitted, switch off and unplug the appliance and keep the door closed in order to stifle any flames.

## ELECTRICAL SAFETY

- This appliance must be properly grounded. Connect only to properly grounded outlet. See "GROUNDING INSTRUCTIONS" on page 8.
- Do not immerse the power cord or plug in water or any other liquid.
- Keep cord away from heated surfaces.
- Do not operate this appliance if it has a damaged cord or plug, if it is not working properly, or if it has been damaged or dropped.
- Do not let the cord hang over edge of table or counter.
- If the electrical cord is damaged, it must be replaced by the manufacturer or a similarly qualified professional in order to avoid a hazard.

# IMPORTANT SAFETY INSTRUCTIONS

## CLEANING SAFETY

- Clean the ventilation hood of the microwave oven frequently. Grease should not be allowed to accumulate on the hood or filters.
- Use care when cleaning the ventilation hood filter. Corrosive cleaning agents, such as lye-based oven cleaners, may damage the filter.
- Do not clean with metal scouring pads. Pieces can burn off the pad and touch electrical parts, increasing the risk of electric shock.
- The oven should be cleaned regularly and any food deposits or debris removed since they may spark or explode even after microwave heating has ended.
- The appliance shall not be cleaned with a steam cleaner.
- If the oven is not maintained in a good state of cleanliness, its surface could be degraded and affect the lifespan of the oven and lead to a dangerous situation.
- Do not use harsh abrasive cleaners or sharp metal scrapers to clean the oven door glass since they can scratch the surface, which may result in shattering.
- Heavily soiled seal: If the seal is very dirty or eroded, the appliance door will no longer close properly during operation. The fronts of adjacent units could also be damaged. Always keep the seal clean.

**NOTE:** This device complies with part 18 of the FCC Rules.

# BEFORE INSTALLATION

## GROUNDING INSTRUCTIONS

HOUSEHOLD USE ONLY (NOT FOR COMMERCIAL USE)

SAVE THESE INSTRUCTIONS



### WARNING: ELECTRIC SHOCK HAZARD

- Touching some of the internal components can cause serious personal injury or death. Do not disassemble this appliance.
- The plug must be plugged into an outlet that is properly installed and grounded.
- This appliance must be grounded. In the event of an electrical short circuit, grounding reduces the risk of electric shock by providing an escape wire for the electric current.
- This appliance is equipped with a cord having a grounding wire with a grounding plug. Improper use of the grounding can result in electric shock. Do not plug into an outlet until appliance is properly installed and grounded.
- Do not cut or remove the ground prong. It must be plugged into a matching grounding type receptacle to avoid electrical shock.



**Improper use of the grounding can result in a risk of electric shock.**

- Installation, electrical connections, and grounding must comply with all applicable codes. In the event of a short circuit, grounding reduces the risk of electric shock by providing an escape wire for the electric current.
- Consult a qualified electrician or serviceman if the grounding instructions are not completely understood, or if doubt exists as to whether the appliance is properly grounded.
- If it is necessary to use an extension cord, use only a 3-wire extension cord that has a 3-prong grounded plug, and 3-slot receptacle that will accept the plug on the appliance. The marked rating of the extension cord shall be equal to or greater than the electrical rating of the appliance.

# BEFORE INSTALLATION



We do not recommend using an extension cord and if used on this appliance, it will void warranty. If you use an extension cord, make sure the wire gauge and length are correct for use with a microwave. The use of an extension cord can cause voltage drop, fire hazard, and can cause permanent damage to the microwave if used.

- A short power-supply cord is provided to reduce the risks resulting from becoming entangled in or tripping over a longer cord.
- Longer cord sets or extension cords are available and may be used if care is exercised in their use.
- If a long cord or extension cord is used:
  - The marked electrical rating of the cord set or extension cord should be at least as great as the electrical rating of the appliance.
  - The extension cord must be a grounding-type 3-wire cord.
  - The longer cord should be arranged so that it will not drape over the counter top or tabletop where it can be pulled on by children or tripped over unintentionally.
- Before you plug in an electrical cord or turn on power supply, make sure all controls are in the OFF position. Before installing, turn power OFF at the service panel.
- Only a qualified electrician who takes the appropriate regulations into account may install the socket or replace the connecting cable.

# BEFORE INSTALLATION

## ELECTRICAL REQUIREMENTS

- A 3-prong grounded outlet
- 120VAC, 60Hz, NEMA 5-15 plug
- 15-amp electrical supply with a fuse or a circuit breaker

## OTHER INSTALLATION NOTES

- For personal safety, remove house fuse or open circuit breaker before beginning installation to avoid severe or fatal shock injury. *Figure 1*
- The mounting surface must be capable of supporting the cabinet load, in addition to the added weight of this product (63–85 lb, 29–39 kg), plus additional oven loads of up to 50 lb (23 kg) for a total weight of 113–135 lb (51–61 kg).
- Do not install this product in cabinet arrangements such as an island or a peninsula. It must be mounted to BOTH a top cabinet AND a wall.
- The power cord of this appliance is equipped with a 3-prong grounding plug that mates with a standard 3-prong wall receptacle to minimize the possibility of electric shock hazard from this appliance. *Figure 2*
- If a 2-prong wall receptacle is encountered, it must be replaced with a properly grounded 3-prong receptacle by a qualified electrician.



Do not under any circumstances cut, deform, or remove any of the prongs from the power cord.

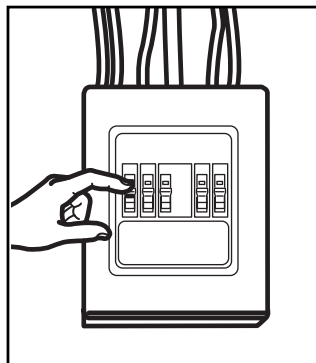


Figure 1

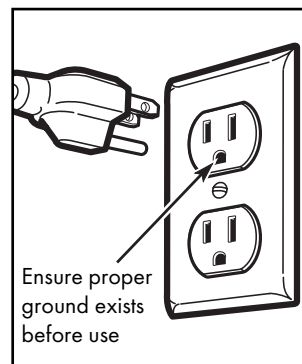


Figure 2

# BEFORE INSTALLATION

## TOOLS NEEDED

- #1 Phillips Screwdriver
- Pencil
- Ruler or Tape Measure and Straight Edge
- Level
- Tin Snips (for cutting damper, if required)
- Scissors (to cut template, if necessary)
- Electrical Drill with 3/16", 1/2", and 5/8" Drill Bits
- Stud Finder or Hammer (optional)
- Gloves
- Saw (saber, hole, or keyhole)
- Safety Goggles
- Duct and Masking Tape
- Filler Blocks or Scrap Wood Pieces, if needed for top cabinet spacing (used on recessed bottom cabinet installations only)
- Carpenter Square (optional)

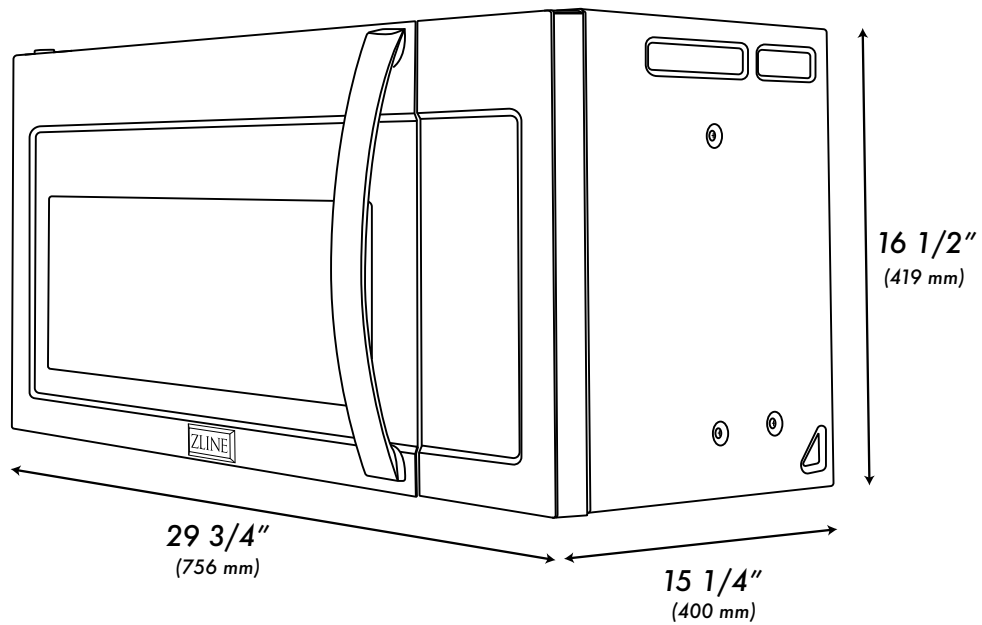
## PARTS PROVIDED

- (2) Wood Screws (1/4" and 2")
- (2) Toggle Bolts (& Wing Nuts) (3/16" x 3")
- (3) Self-Aligning Machine Screws (1/4"-28 x 3 1/4")
- Nylon Grommet (for Metal Cabinets)
- Top Cabinet Template
- Rear Wall Template
- (2) Separately Packed Grease Filters
- Exhaust Adapter
- Glass Turntable
- Turntable Ring
- Convection Wire Rack
- Removable Metal Rack

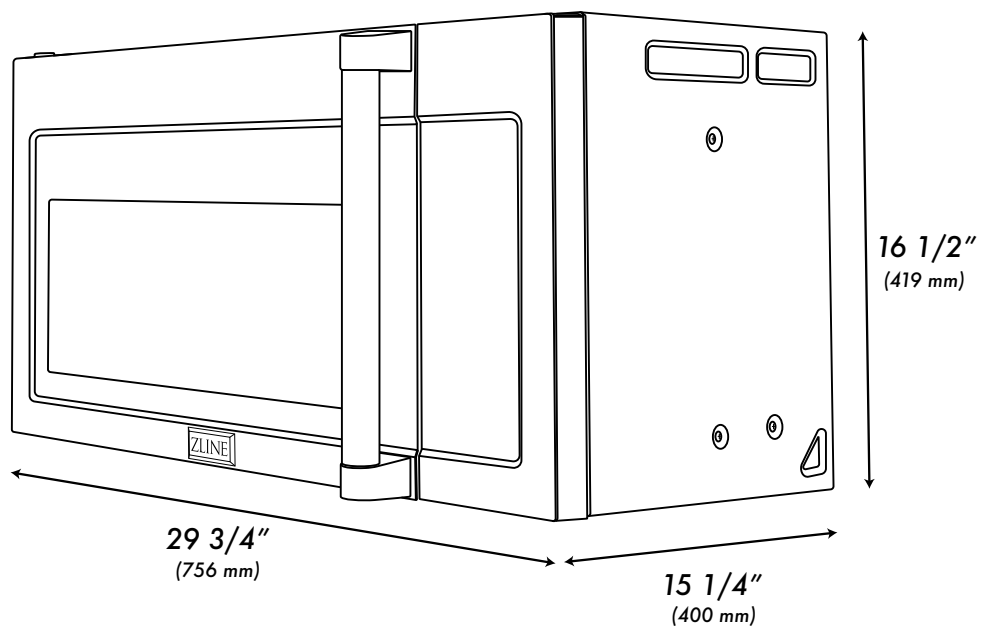
# BEFORE INSTALLATION

## PRODUCT DIMENSIONS

MWO-OTR-30

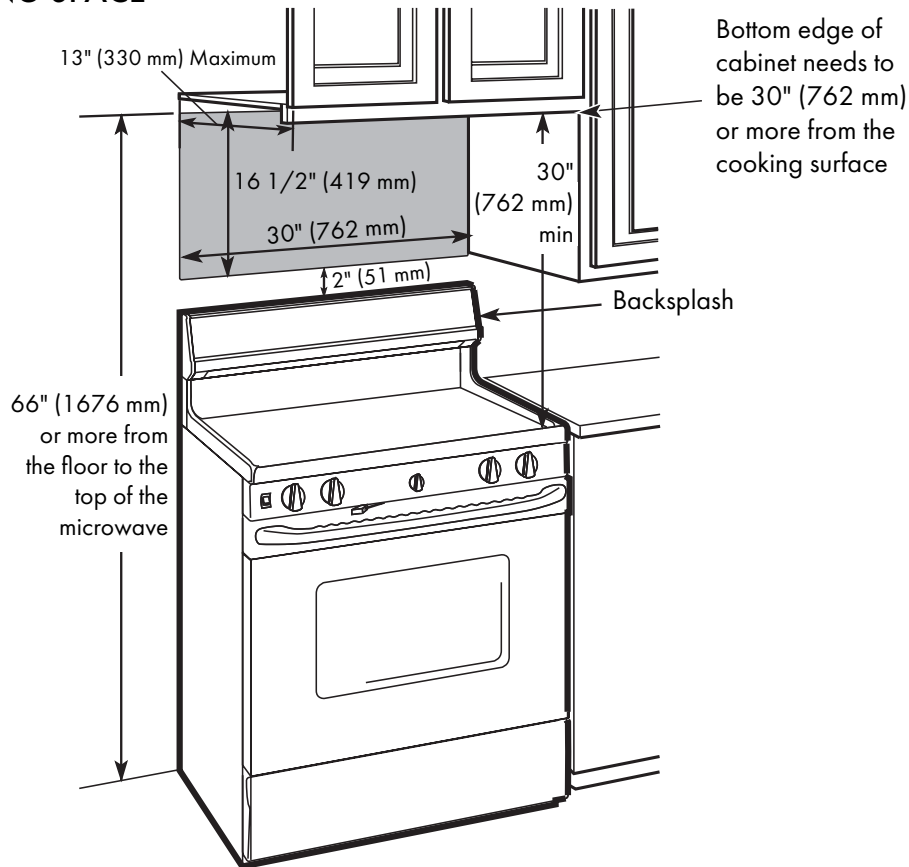


MWO-OTR-H-30

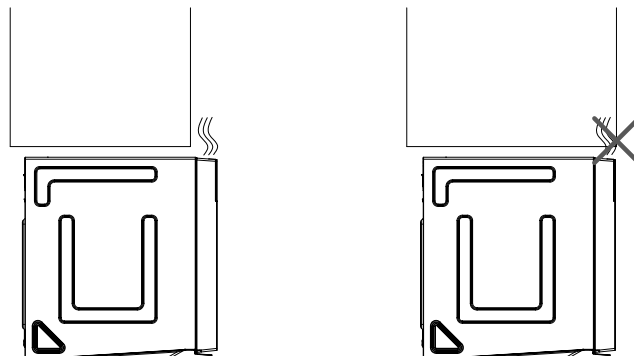


# INSTALLATION

## MOUNTING SPACE



- The space between cabinets must be 30" (762 mm) wide and free of obstructions.
- If you are going to vent your microwave oven outside your home, see the External Exhaust section starting on page 23 for exhaust duct preparation.
- When installing the microwave oven beneath smooth, flat cabinets, be careful to follow the instructions on the top cabinet template for power cord clearance.
- If the cabinet depth including the cabinet doors is more than 13" (330 mm), the unit must be placed out from the wall using adequate materials supporting 150 lb (68 kg) to allow for proper top ventilation air exhaust/intake as outlined below.

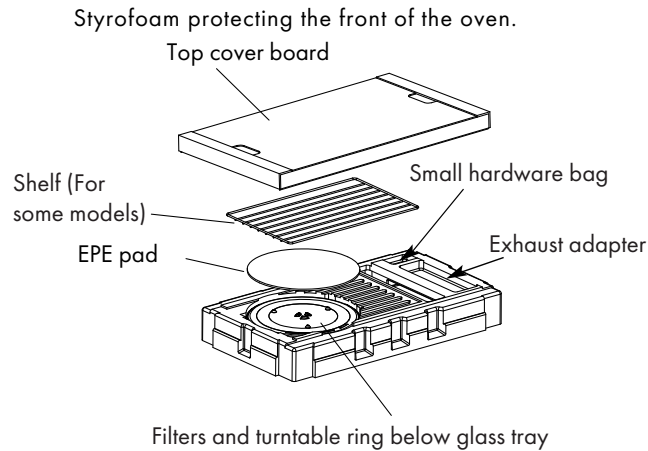


# INSTALLATION

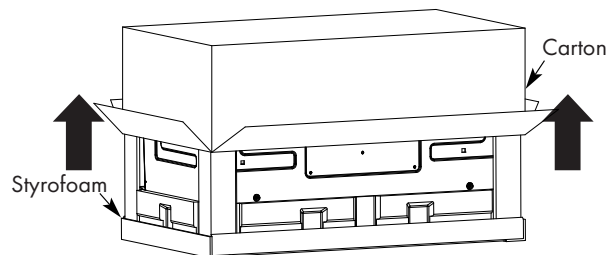
## PLACEMENT OF THE MOUNTING PLATE

### A. Removing the Microwave Oven from the Box/Removing the Mounting Plate

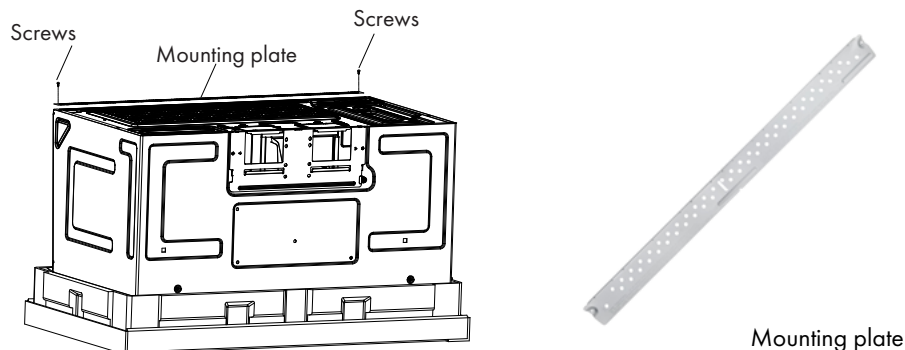
1. When unpacking the appliance, remove the top cover board, manuals, exhaust adapter, turntable ring, shelf, filters, glass tray, and the small hardware bag.



2. Fold back all four box flaps fully against the box sides. Then carefully rotate the oven and box over onto the top side. The oven should be resting on the Styrofoam.



3. Pull up box up and off the oven.
4. Cut the middle of the outer protective plastic bag to remove the mounting plate.

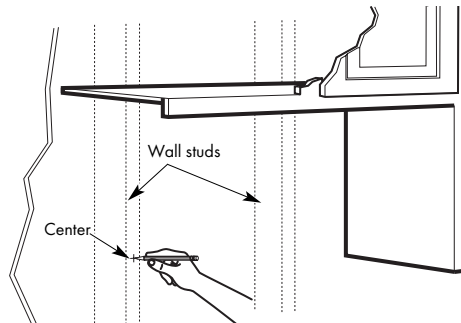


5. Remove the screws from each end of the mounting plate. This plate will be used as the rear wall template. Reinstall the screws into the holes where they were removed.

# INSTALLATION

## PLACEMENT OF THE MOUNTING PLATE

### B. Finding the Wall Studs



1. Use a stud finder to locate wooden studs in the rear wall of the cabinet cutout where you plan to install the unit. If you don't have a stud finder, use a hammer to tap lightly across the mounting surface horizontally until you hear a solid sound. This will indicate a stud location.
2. After locating the stud(s), find the center by probing the wall with a small nail to find the edges of the stud. Use a pencil to mark the halfway point between the edges. The center of any adjacent studs should be 16" (406 mm) or 24" (607 mm) from this mark, depending on your home's design.
3. Draw a line down the center of the studs.



The microwave must be connected to at least one wall stud, as the mounting surface must be capable of supporting the cabinet load, in addition to the added weight of this product (63–85 lb, 29–39 kg), plus additional oven loads of up to 50 lb (23 kg) for a total weight of 113–135 lb (51–61 kg). Mounting the unit to drywall will not meet this requirement, and you run the risk of serious injury or death if the appliance falls from its supports.

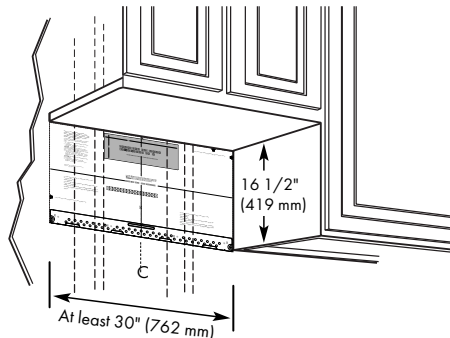
# INSTALLATION

## PLACEMENT OF THE MOUNTING PLATE

### C. Determining Wall Plate Location Under your Cabinet

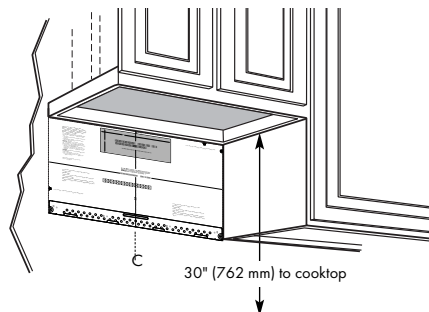
#### Plate position: Beneath Flat Bottom Cabinet

Draw a vertical line on the wall at the center of the 30" (762 mm) wide space. Tape the Rear Wall Template onto the wall matching the centerline and touching the bottom of the cabinet.



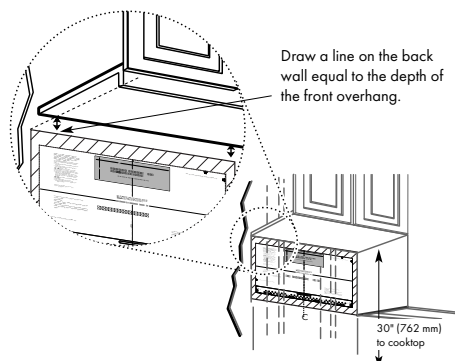
#### Plate position: Beneath Framed Recessed Cabinet Bottom

Draw a vertical line on the wall at the center of the 30" (762 mm) space. Tape the Rear Wall Template onto the wall matching the centerline and touching the bottom cabinet frame.



#### Plate position: Beneath Recessed Bottom Cabinet with Front Overhang

Draw a line on the back wall equal to the depth of the front overhang.



# INSTALLATION

## PLACEMENT OF THE MOUNTING PLATE

**NOTE:** Depending on the design of your kitchen, cabinets may have decorative trim that interferes with the microwave installation. Remove the decorative trim to install the microwave properly and make it level.



**CAUTION**

**THE MICROWAVE MUST BE LEVEL.**

Use a level to make sure the cabinet bottom is level. If the cabinets have a front overhang only, with no back or side frame, install the mounting plate down the same distance as the front overhang depth. This will keep the microwave level.

1. Measure the inside depth of the front overhang.
2. Draw a horizontal line on the back wall, an equal distance below the cabinet bottom as the inside depth of the front overhang.
3. For this type of installation with front overhang only, align the mounting tabs with this horizontal line, not touching the cabinet bottom as described on the next page.

# INSTALLATION

## PLACEMENT OF THE MOUNTING PLATE

### D. Aligning the Wall Plate



CAUTION

Wear gloves to avoid cutting fingers on sharp edges.

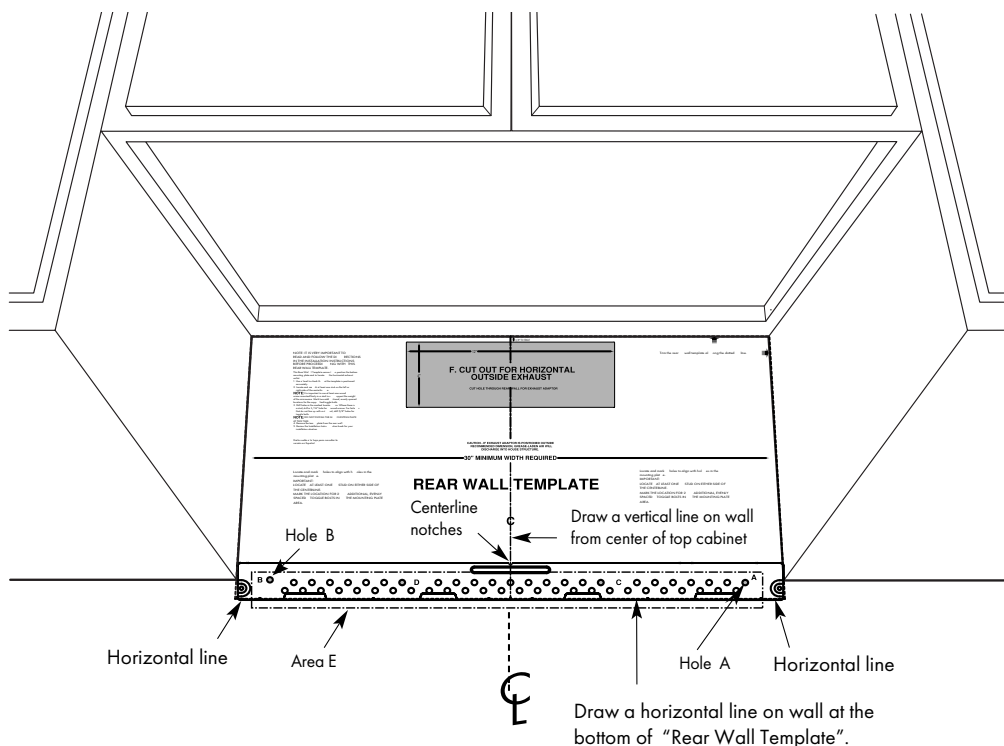
1. Draw a vertical line on the wall at the center of the 30" (762 mm) wide space.
2. Draw a horizontal line on the wall at the bottom of the "Rear Wall Template."
3. Find a wall stud in area "E" of the mounting plate. Mark the location the stud lines up with the area "E" of the mounting plate.
4. For attaching the mounting plate into stud, drill a 3/16" hole into a wood stud. Drill a 5/8" hole for toggle bolt in 1 other location (Hole A or Hole B).



WARNING

Do not mount the plate at this time.

**NOTE:** Holes A and B are inside area E. If neither of Holes A and B are not in a stud, find a stud somewhere in area E and draw a circle to line up with the stud. It is important to have at least one wood screw mounted firmly in a stud to support the weight of the microwave. Set the mounting plate aside.



# INSTALLATION

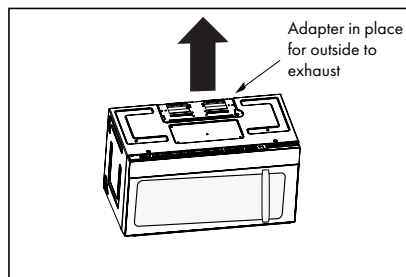
## INSTALLATION TYPES (Choose A, B, or C)

The microwave oven is designed for adaption to the following types of ventilation:

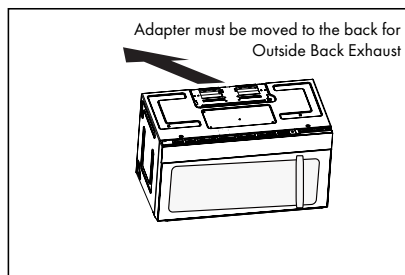
- A. Outside Top Exhaust (Vertical Duct)
- B. Outside Back Exhaust (Horizontal Duct)
- C. Recirculating (Non-Vented Ductless)

**NOTE:** This microwave is shipped assembled for Recirculating. Select the type of ventilation required for your installation and proceed to that section.

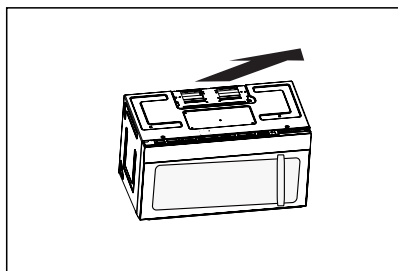
### A: Outside Top Exhaust (Vertical Duct) - see page 23



### B: Outside Back Exhaust (Horizontal Duct) - see page 30



**C: Recirculating (Non-Vented Ductless) - see page 38:** Models are shipped configured for recirculating exhaust. A disposable charcoal filter should be used to help remove smoke and odors when recirculating exhaust.



**NOTE:** Carefully read the following pages only if you plan to vent your exhaust to the outside. If you plan to recirculate the air back into the room, proceed to page 38.

# INSTALLATION

## DUCTING

### INSTRUCTIONS FOR EXTERNAL EXHAUST DUCTING

**NOTE:** If you need to install ducts, note that the total length of 3 1/4" x 10" (83 mm x 254 mm) rectangular ducting — or 5" or 6" (127 mm or 152 mm) diameter round ducting — should not exceed 120 equivalent feet (shown how to calculate on the next page). Outside ventilation requires an EXTERNAL EXHAUST DUCT. Read the following carefully.

**NOTE:** It is important that venting be installed using the most direct route and with as few elbows as possible. This ensures clear venting of exhaust and helps prevent blockages. Also, make sure dampers swing freely and nothing is blocking the ducts.


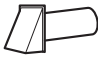


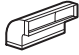
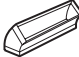


### EXHAUST CONNECTION

- The exhaust adapter for this appliance has been designated to mate with a standard 3 1/4" x 10" (83 mm x 254 mm) rectangular duct.
- If a round duct is required, a rectangular-to-round transition adapter must be used. These can be purchased at most local hardware stores. A 5" or 6" (127 mm or 152 mm) diameter round duct is acceptable to use.

### MAXIMUM DUCT LENGTH

- For satisfactory air movement, the total length of 3 1/4" x 10" (83 mm x 254 mm) rectangular or 5" or 6" (127 mm or 152 mm) diameter round ducting should not exceed 120 equivalent feet.
- Elbows, transitions, wall and roof caps, etc., present additional resistance to airflow and are equivalent to a section of straight duct that is longer than its actual physical size.
- When calculating total duct length, add the equivalent lengths of all transitions and adapters plus the length of all straight duct sections.
- The chart on the following page shows you how to calculate total equivalent ductwork length using the approximate length of typical ducting options.





# INSTALLATION





DUCT PIECES	IMAGE	EQUIVALENT LENGTH x NUMBER USED =	EQUIVALENT LENGTH
Rectangular-to-Round Transition Adapter*		5' x ( ) = 1524 mm x ( ) =	( )
Wall Cap		40' x ( ) = 12192 mm x ( ) =	( )
90° Elbow		10' x ( ) = 3048 mm x ( ) =	( )
45° Elbow		5' x ( ) = 1524 mm x ( ) =	( )
90° Elbow		25' x ( ) = 7620 mm x ( ) =	( )
45° Elbow		5' x ( ) = 1524 mm x ( ) =	( )
Roof Cap		24' x ( ) = 7315 mm x ( ) =	( )
Straight Duct 6" Round or 3 1/4" x 10" Rectangular (83 mm x 254 mm Rectangular)		1' x ( ) = 305 mm x ( ) =	( )
Total ductwork			( )

Equivalent lengths of duct pieces are based on actual ventilation tests and reflect requirements for good venting performance with any vent hood.

**IMPORTANT:** If a rectangular-to-round transition adapter is used, the bottom corners of the damper will have to be cut to fit using tin snips in order to allow free movement of the damper.

# INSTALLATION

EXAMPLE: OUTSIDE TOP EXHAUST				
	DUCT PIECES	IMAGE	EQUIVALENT LENGTH x NUMBER USED =	EQUIVALENT LENGTH
	Roof Cap		24' x (1) = 7315 mm x (1) =	24' 7315 mm
	12' (3658 mm) Straight Duct (6"/152 mm Round)		12' x (1) = 3658 mm x (1) =	12' 3658 mm
	Rectangular-to-Round Transition Adapter		5' x (1) = 1524 mm x (1)	5' 1524 mm
	Total ductwork			41' (12497 mm)

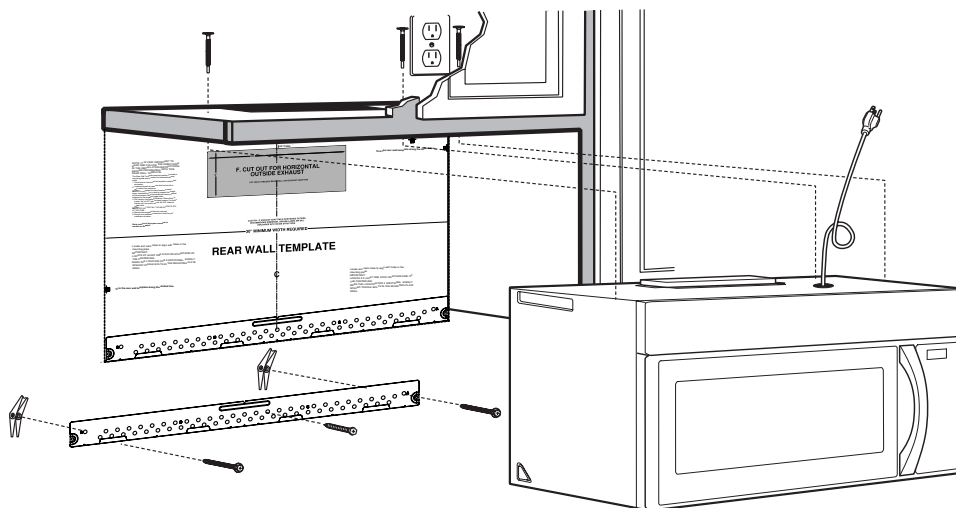
EXAMPLE: OUTSIDE BACK EXHAUST				
	DUCT PIECES	IMAGE	EQUIVALENT LENGTH x NUMBER USED =	EQUIVALENT LENGTH
	Wall Cap		40' x (1) = 12192 mm x (1) =	40' 12192 mm
	3' (914 mm) Straight Duct (3 1/4" x 10" Rectangular) (83 mm x 254 mm Rectangular)		3' x (1) = 914 mm x (1)	3' 914 mm
	90° Elbow		10' x (2) = 3048 mm x (2)	20' 6096 mm
	Total ductwork			63' (19202 mm)

In both of these examples, the total equivalent ducting length is less than the maximum 120' (36576 mm), meaning the microwave ventilations system is satisfactory.

**NOTE:** For back exhaust, care should be taken to align exhaust with space between studs, or wall should be prepared at the time it is constructed by leaving enough space between the wall studs to accommodate exhaust.

# INSTALLATION OUTSIDE TOP EXHAUST

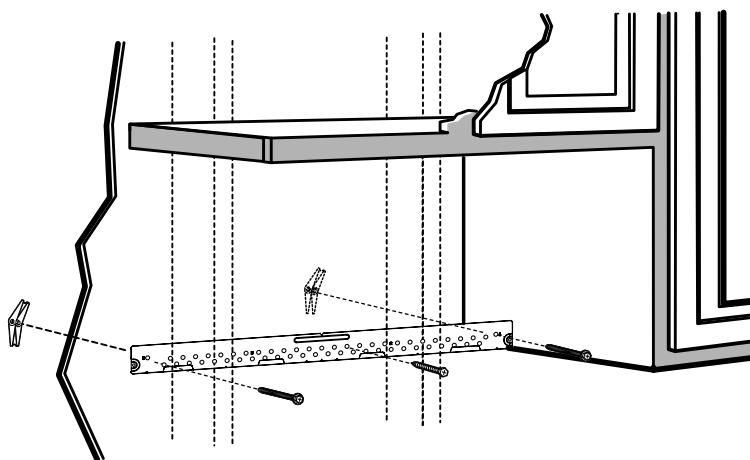
## A. OUTSIDE TOP EXHAUST (VERTICAL DUCT)



### NOTES:

- Make sure the screws for the blower motor and blower plate are securely tightened when they are reinstalled. This will help to prevent excessive vibration.
- Make sure the motor wiring has been properly routed and secured, and that the wires are not pinched.

### A1. ATTACH THE MOUNTING PLATE TO THE WALL

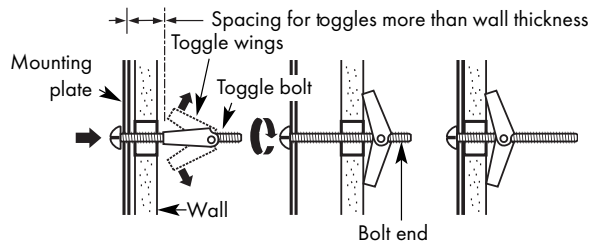


Attach the plate to the wall using toggle bolts. At least one wood screw must be used to attach the plate to a wall stud, as shown with the middle screw in the image above.

1. Remove the toggle wings from the bolts.
2. Insert the bolts into the mounting plate through the holes designated to go into drywall and reattach the toggle wings to 3/4" (19 mm) onto each bolt.

# INSTALLATION OUTSIDE TOP EXHAUST

To use toggle bolts:



3. Place the mounting plate against the wall and insert the toggle wings into the holes in the wall to mount the plate.

**NOTE:** Before tightening toggle bolts and wood screws, make sure the bottom of the mounting plate touches the bottom of the cabinet when pushed flush against the wall and that the plate is properly centered under the cabinet.



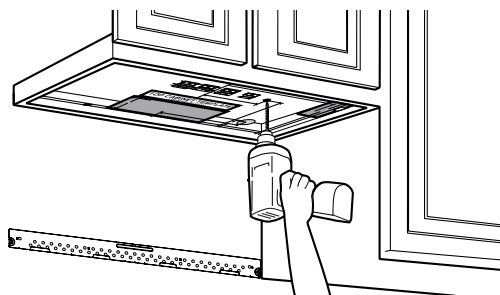
**CAUTION**

Be careful to avoid pinching your fingers between the back of the mounting plate and the wall.

4. Tighten all bolts. Pull the plate away from the wall to help tighten the bolts. If the toggle bolt spins, pull the mounting plate slightly outward while tightening the bolt until secure.

## A2. USE TOP CABINET TEMPLATE FOR PREPARATION OF TOP CABINET

You need to drill holes for the top support screws, a hole large enough for the power cord to fit through, and a cutout large enough for the exhaust adapter.



- Read the instructions on the Top Cabinet Template.
- Tape the template underneath the top cabinet.
- Drill the holes, following the instructions on the Top Cabinet Template.
- The gray rectangle in the center of the template represents where to cut the opening for the top ducting/exhaust.



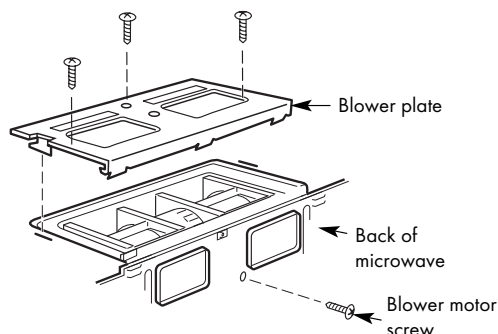
**CAUTION**

Wear safety goggles when drilling holes in the cabinet bottom.

# INSTALLATION OUTSIDE TOP EXHAUST

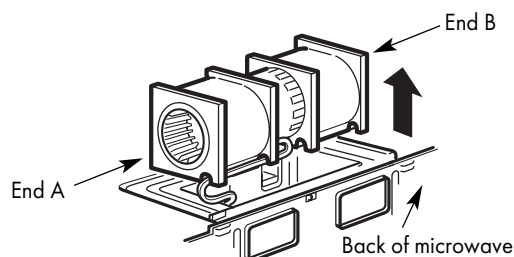
## A3. ADAPTING MICROWAVE BLOWER FOR OUTSIDE TOP EXHAUST

1. Place the microwave in its upright position, with the top of the unit facing up.

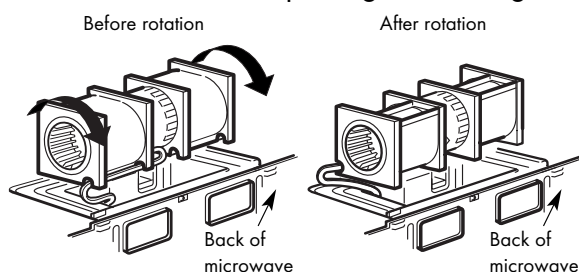


Remove the screws that hold the blower plate to the microwave. Remove and save the screws holding the blower motor to the microwave.

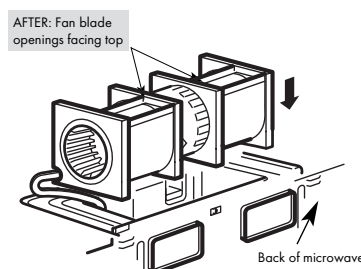
2. Carefully pull out the blower unit. The wires will extend far enough to allow you to adjust the blower unit.



3. Roll the blower unit 90° so that fan blade openings are facing out the top of the microwave.



4. Place the blower back into the opening.

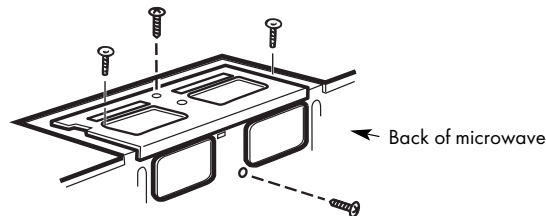


CAUTION

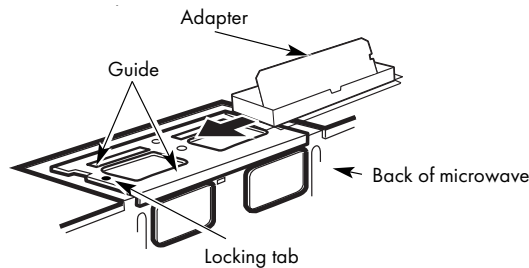
Do not pull or stretch the blower unit wiring. Make sure the wires are not pinched and that they are properly secured.

# INSTALLATION OUTSIDE TOP EXHAUST

5. Secure the blower unit to microwave with the screw removed in Step 1. Make sure the screws are tight.
6. Replace the blower plate with the screws removed in Step 1. Make sure the screws are tight.



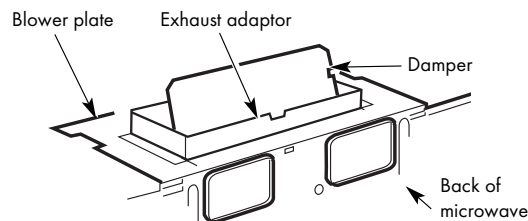
7. Attach the exhaust adapter to the top of the blower plate by sliding it into the guides of the blower plate.



Push in securely until it is in the locking tabs. Take care to assure that the damper hinge is installed so that the damper swings freely.

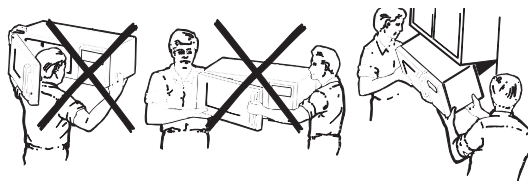
## A4. CHECK FOR PROPER DAMPER OPERATION

- Make sure tape securing the damper is removed and the damper pivots easily before mounting microwave.
- You will need to make adjustments to assure proper alignment with your house exhaust duct after the microwave is installed.



# INSTALLATION OUTSIDE TOP EXHAUST

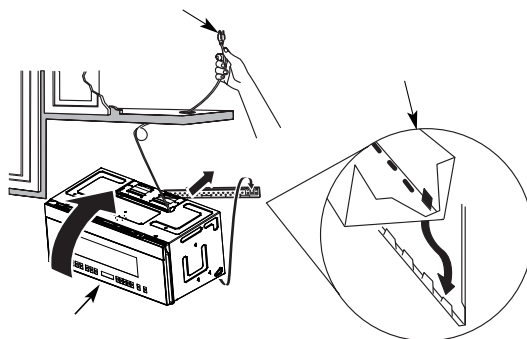
## A5. MOUNT THE MICROWAVE OVEN



WARNING

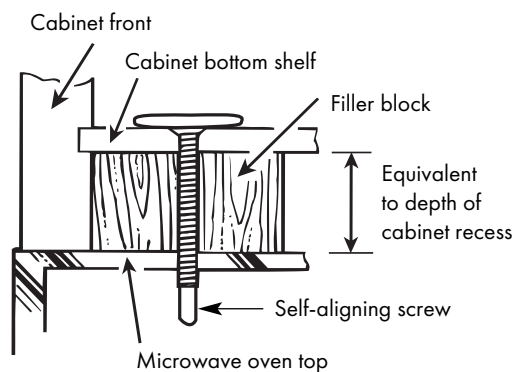
For easier installation and to avoid serious injury or death, it's recommended two or more people install this appliance.

- **IMPORTANT:** Do not grip or use the handle or heat shield during installation. Do not remove the cardboard spacers between the heat shield and door.
  - **NOTE:** If your cabinet is metal, use the nylon grommet around the power cord hole to prevent cutting of the cord.
  - **NOTE:** It's recommended you use filler blocks if the cabinet front hangs below the cabinet bottom shelf.
  - **IMPORTANT:** If filler blocks are not used, damage to the appliance casing may occur from over-tightening screws.
  - **NOTE:** When mounting the microwave oven, thread the power cord through hole in bottom of top cabinet. Keep it tight through Steps 1-3. Do not pinch cord or lift oven by pulling cord.
1. Lift the microwave, tilt it forward, and hook the slots at the back bottom edge onto four lower tabs of mounting plate.
  2. Rotate the front of oven up against the cabinet bottom.

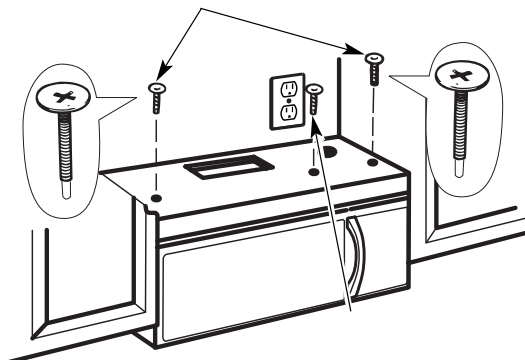


# INSTALLATION OUTSIDE TOP EXHAUST

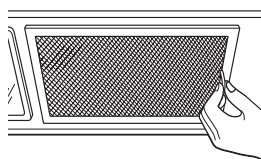
3. Insert one self-aligning screw through the top center cabinet hole. Temporarily secure the oven by turning the screw at least two full turns after the threads have engaged (do not tighten yet; it will be fully tightened later). Be sure to keep the power cord tight. Be careful not to pinch the cord, especially when mounting flush to bottom of cabinet.



4. Lift the microwave to the top of the cabinet and insert two additional self-aligning screws through the outer top cabinet holes. Give each screw two full turns, and then fully tighten the center screw inserted in step 3.



5. With the center screw secured, next, fully tighten the outer two screws to the top of the microwave oven. While tightening all screws, be sure to hold the microwave oven in place against the wall and the top cabinet.

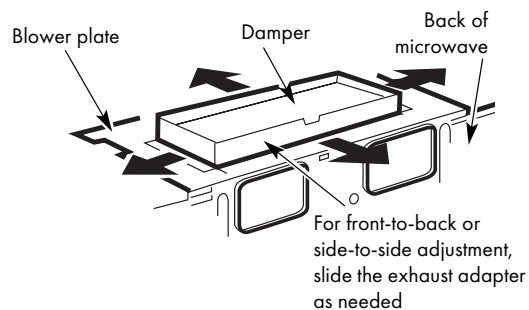


6. Install both grease filters to the bottom of the unit. Refer to the User Manual for care and maintenance directions.

# INSTALLATION OUTSIDE TOP EXHAUST

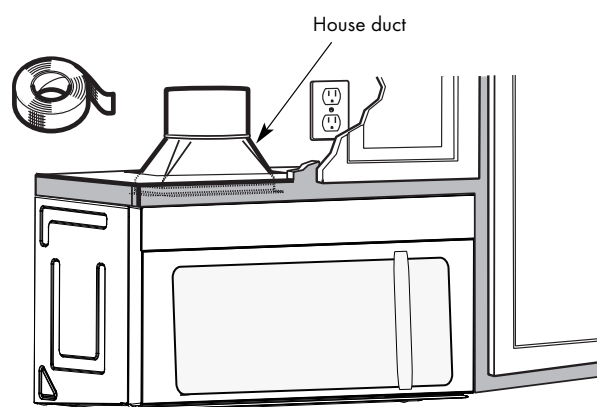
## A6. ADJUST THE EXHAUST ADAPTER

Open the top cabinet and adjust the exhaust adapter to connect to the house duct.



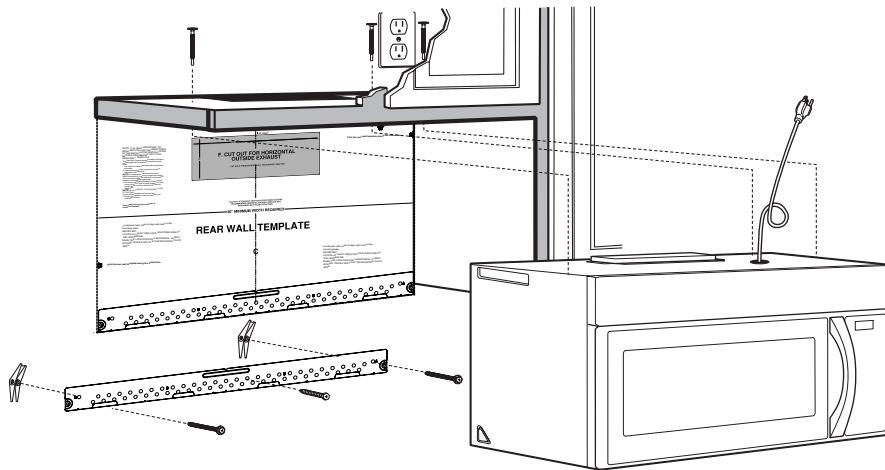
## A7. CONNECTING DUCTWORK

1. Extend the house duct down to connect to the exhaust adapter.
2. Seal exhaust duct joints using furnace duct tape for high temperature applications.



# INSTALLATION OUTSIDE BACK EXHAUST

## B. OUTSIDE BACK EXHAUST (Horizontal Duct)

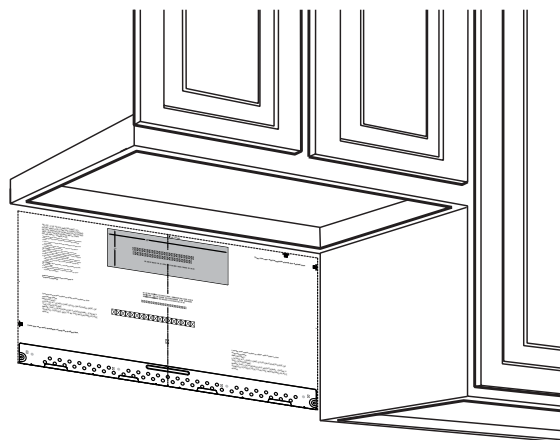


### NOTES:

- Make sure the screws for the blower motor and blower plate are securely tightened when they are reinstalled. This will help to prevent excessive vibration.
- Make sure the motor wiring has been properly routed and secured and that the wires are not pinched.

### B1. PREPARING THE REAR WALL FOR OUTSIDE BACK EXHAUST

You need to cut an opening in the rear wall for outside exhaust.

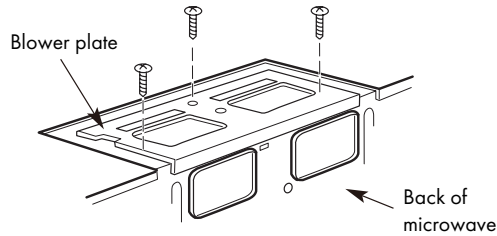


- Read the instructions on the Rear Wall Template.
- Tape the template to the rear wall.
- Cut the opening, following the instructions of the Rear Wall Template.

# INSTALLATION OUTSIDE BACK EXHAUST

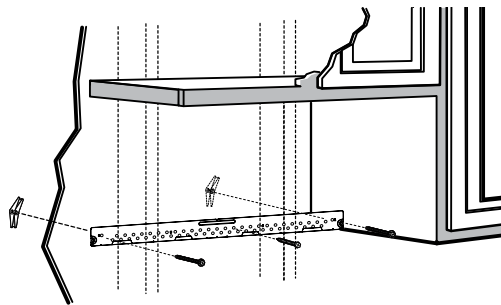
## B2. REMOVE BLOWER PLATE

Remove and save the screws that hold the blower plate to the microwave. Lift off the blower plate.



## B3. ATTACH THE MOUNTING PLATE TO THE WALL

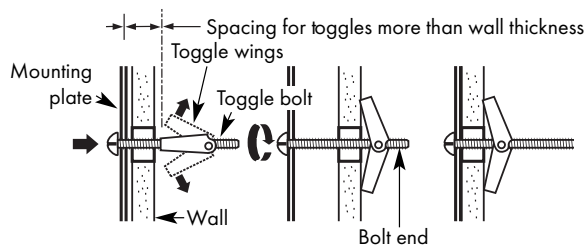
Attach the plate to the wall using toggle bolts. At least one wood screw must be used to attach the plate to a wall stud, as shown with the middle screw in the image below.



1. Remove the toggle wings from the bolts.
2. Insert the bolts into the mounting plate through the holes designated to go into drywall and reattach the toggle wings to 3/4" (19 mm) onto each bolt.

# INSTALLATION OUTSIDE BACK EXHAUST

To use toggle bolts:



3. Place the mounting plate against the wall and insert the toggle wings into the holes in the wall to mount the plate.

**NOTE:** Before tightening toggle bolts and wood screws, make sure the bottom of the mounting plate touches the bottom of the cabinet when pushed flush against the wall and that the plate is properly centered under the cabinet.



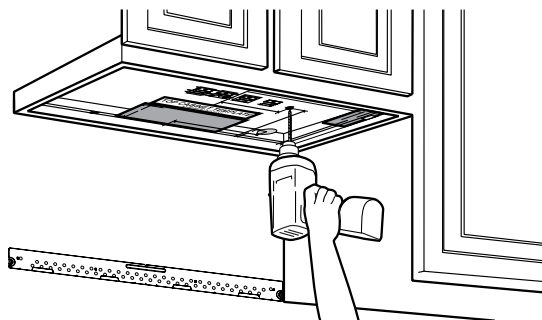
**CAUTION**

Be careful to avoid pinching fingers between the back of the mounting plate and the wall.

4. Tighten all bolts. Pull the plate away from the wall to help tighten the bolts. If the toggle bolt spins, pull the mounting plate slightly outward while tightening the bolt until secure.

## B4. USE TOP CABINET TEMPLATE FOR PREPARATION OF TOP CABINET

You need to drill holes for the top support screws and a hole large enough for the power cord to fit through.



- Read the instructions on the Top Cabinet Template.
- Tape the template underneath the top cabinet.
- Drill the holes, following the instructions on the Top Cabinet Template.



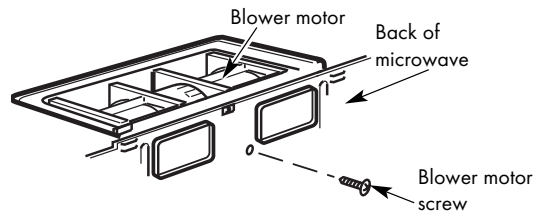
**CAUTION**

Wear safety goggles when drilling holes in the cabinet bottom.

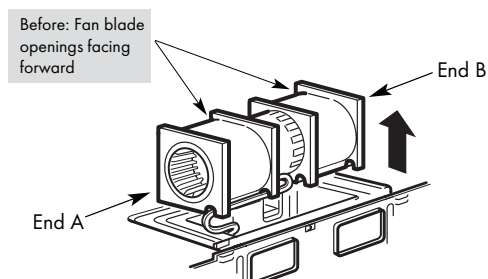
# INSTALLATION OUTSIDE BACK EXHAUST

## B5. ADAPTING THE MICROWAVE BLOWER FOR OUTSIDE BACK EXHAUST

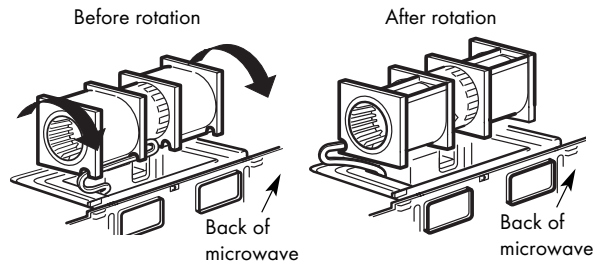
1. Remove and save the screw that holds the blower motor to the microwave.



2. Carefully pull out the blower unit. The wires will extend far enough to allow you to adjust the blower unit.

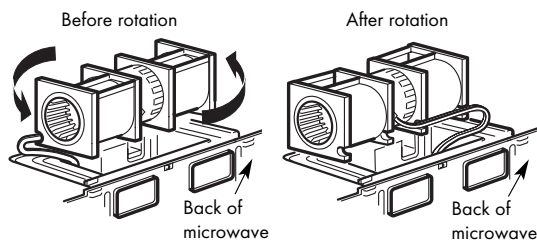


3. Rotate the blower unit over 90°.

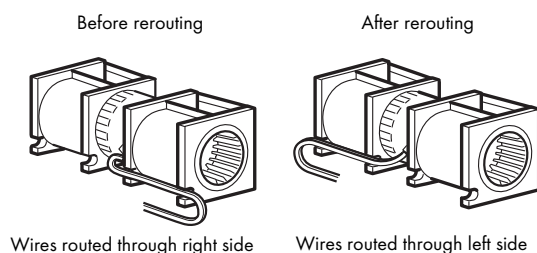


# INSTALLATION OUTSIDE BACK EXHAUST

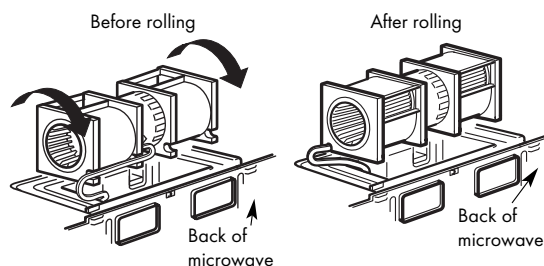
- Then, rotate the blower unit counterclockwise sideways 180°.



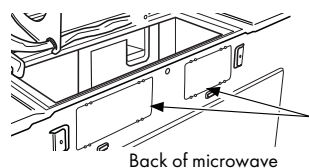
- Gently remove the wires from the grooves. Reroute the wires through grooves on other side of the blower unit.



- Rotate the blower unit over 90° so that fan blade openings are facing out the back of the microwave.

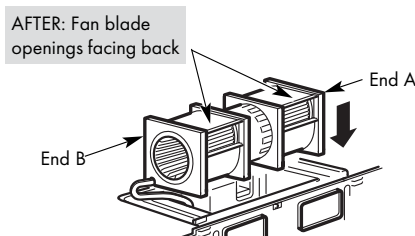


- Remove the knockout plates in the back of the unit with tin snips. **NOTE:** This step is only needed for some models. Snip all 4 webs on each knockout panel and remove the metal knockouts for rear airflow. Please take care to eliminate any sharp edges created from removing the knockout plates.



# INSTALLATION OUTSIDE BACK EXHAUST

- Place the blower unit back into the opening.

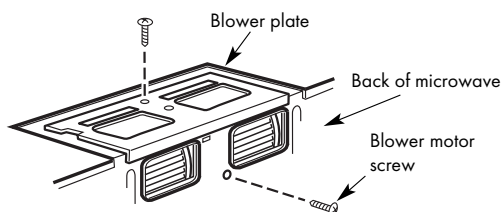


CAUTION

Do not pull or stretch the blower unit wiring. Make sure the wires are not pinched and that they are properly secured.

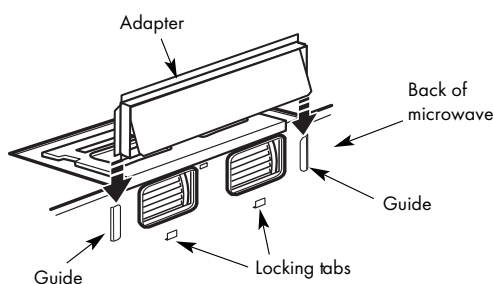
- NOTE:** The blower unit exhaust openings should match exhaust openings on the rear of the microwave oven.

- Secure the blower unit to the microwave with the original screws.



- Replace the blower plate in the same position as before with the screw. Make sure the screw is tight.

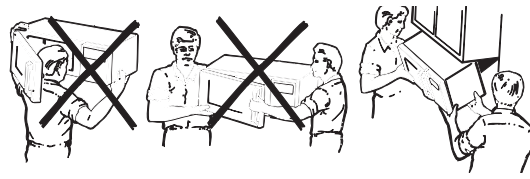
- Attach the exhaust adapter to the rear of the oven by sliding it into the guides at the top center of the back of the oven.



Push in securely until it is in the lower locking tabs. Take care to assure that the damper hinge is installed so that it is at the top and that the damper swings freely.

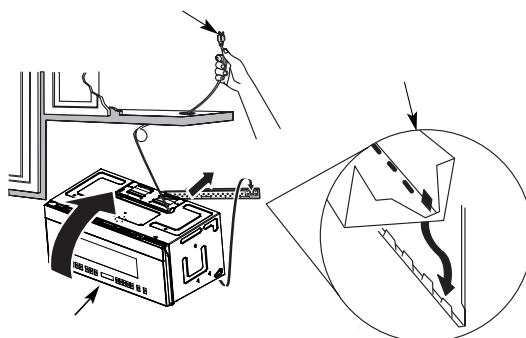
# INSTALLATION OUTSIDE BACK EXHAUST

## B6. MOUNT THE MICROWAVE OVEN



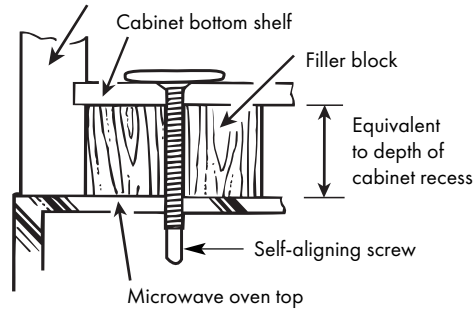
For easier installation and to avoid serious injury or death, it's recommended two or more people install this appliance.

- **IMPORTANT:** Do not grip or use the handle or heat shield during installation. Do not remove the cardboard spacers between the heat shield and door.
  - **NOTE:** If your cabinet is metal, use the nylon grommet around the power cord hole to prevent cutting of the cord.
  - **NOTE:** It's recommended you use filler blocks if the cabinet front hangs below the cabinet bottom shelf.
  - **IMPORTANT:** If filler blocks are not used, damage to the appliance casing may occur from over-tightening screws.
  - **NOTE:** When mounting the microwave oven, thread the power cord through hole in bottom of top cabinet. Keep it tight through Steps 1-3. Do not pinch cord or lift oven by pulling cord.
1. Lift the microwave, tilt it forward, and hook the slots at the back bottom edge onto four lower tabs of mounting plate.
  2. Rotate the front of oven up against the cabinet bottom.

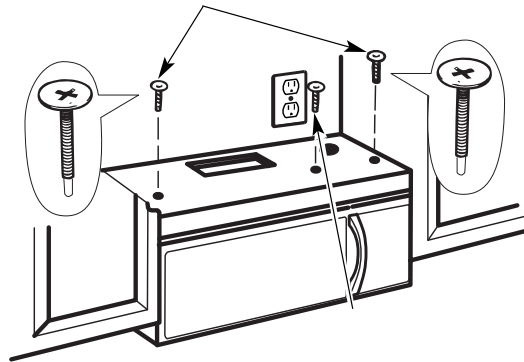


# INSTALLATION OUTSIDE BACK EXHAUST

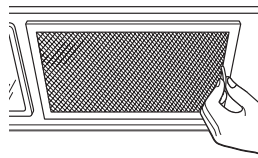
3. Insert one self-aligning screw through the top center cabinet hole. Temporarily secure the oven by turning the screw at least two full turns after the threads have engaged (do not tighten yet; it will be fully tightened later). Be sure to keep the power cord tight. Be careful not to pinch the cord, especially when mounting flush to bottom of cabinet.



4. Lift the microwave to the top of the cabinet and insert two additional self-aligning screws through the outer top cabinet holes. Give each screw two full turns, and then fully tighten the center screw inserted in step 3.



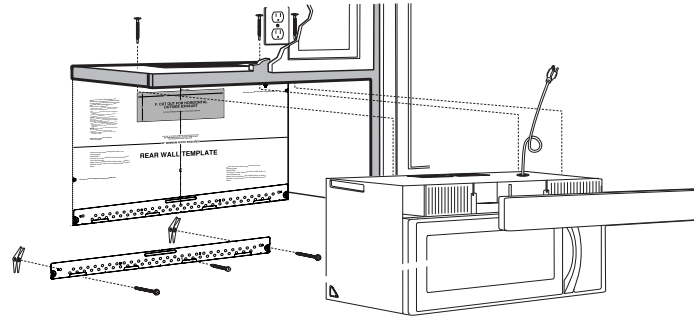
5. With the center screw secured, next, fully tighten the outer two screws to the top of the microwave oven. While tightening all screws, be sure to hold the microwave oven in place against the wall and the top cabinet.



6. Install both grease filters to the bottom of the unit. Refer to pages 24–26 of the User Manual for care and maintenance directions.

# INSTALLATION RECIRCULATING

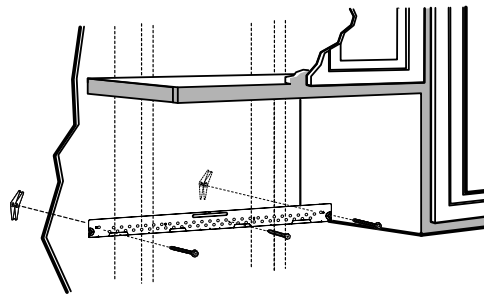
## C. RECIRCULATING (NON-VENTED DUCTLESS)



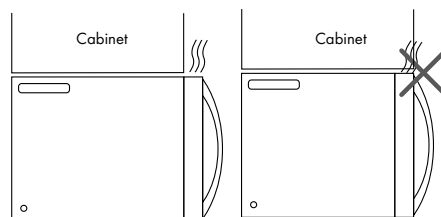
### NOTES:

- Make sure the screws for the blower motor and blower plate are securely tightened when they are reinstalled. This will help to prevent excessive vibration.
- Make sure the motor wiring has been properly routed and secured, and that the wires are not pinched.

### C1. ATTACH THE MOUNTING PLATE TO THE WALL



- Attach the plate to the wall using toggle bolts. At least one wood screw must be used to attach the plate to a wall stud, as shown with the middle screw in the image above.
- **NOTE:** If the cabinet depth including the cabinet doors is more than 13" (330 mm), then the unit must be spaced out from the wall using adequate materials supporting 150 lb (68 kg) to allow proper top vent air exhaust/intake as outlined below.

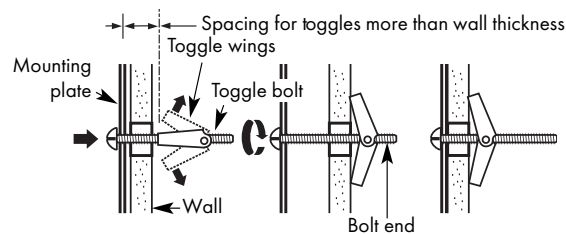


# INSTALLATION RECIRCULATING

1. Remove the toggle wings from the bolts.
2. Insert the bolts into the mounting plate through the holes designated to go into drywall and reattach the toggle wings to 3/4" (19 mm) onto each bolt.

To use toggle bolts:

To use toggle bolts:



3. Place the mounting plate against the wall and insert the toggle wings into the holes in the wall to mount the plate.

**NOTE:** Before tightening toggle bolts and wood screws, make sure the bottom of the mounting plate touches the bottom of the cabinet when pushed flush against the wall and that the plate is properly centered under the cabinet.



CAUTION

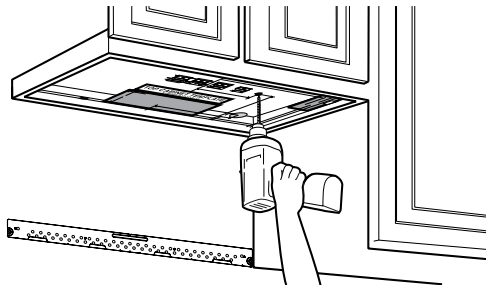
Be careful to avoid pinching fingers between the back of the mounting plate and the wall.

4. Tighten all bolts. Pull the plate away from the wall to help tighten the bolts.

# INSTALLATION RECIRCULATING

## C2. USE TOP CABINET TEMPLATE FOR PREPARATION OF TOP CABINET

You need to drill holes for the top support screws and a hole large enough for the power cord to fit through.



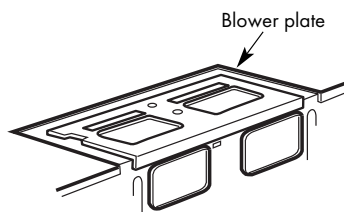
- Read the instructions on the Top Cabinet Template.
- Tape the template underneath the top cabinet.
- **NOTE:** Adjust the template accordingly if the microwave is being spaced out from the wall due to cabinet depth (including cabinet doors) of more than 13" (330 mm).
- Drill the holes, following the instructions on the Top Cabinet Template.



CAUTION

Wear safety goggles when drilling holes in the cabinet bottom.

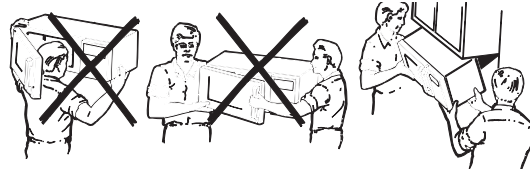
## C3. CHECK BLOWER PLATE



- Place the microwave in its upright position, with the top of the unit facing up.
- Check to see that the blower plate is correctly installed on the unit.

# INSTALLATION RECIRCULATING

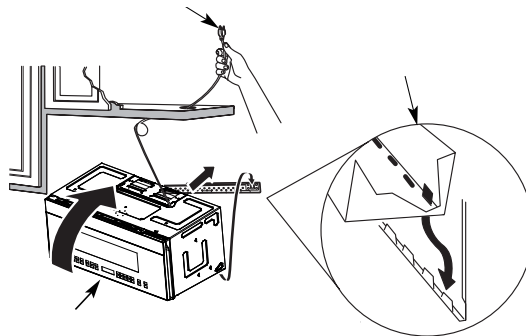
## C4. MOUNT THE MICROWAVE OVEN



WARNING

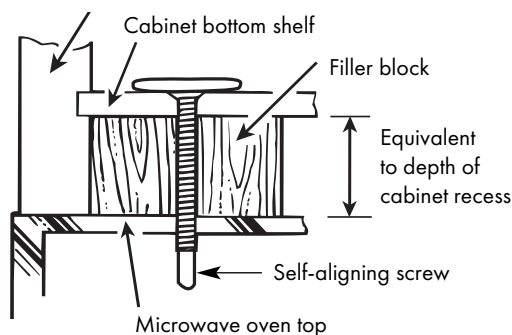
For easier installation and to avoid serious injury or death, it's recommended two or more people install this appliance.

- **IMPORTANT:** Do not grip or use the handle or heat shield during installation. Do not remove the cardboard spacers between the heat shield and door.
  - **NOTE:** If your cabinet is metal, use the nylon grommet around the power cord hole to prevent cutting of the cord.
  - **NOTE:** It's recommended you use filler blocks if the cabinet front hangs below the cabinet bottom shelf.
  - **IMPORTANT:** If filler blocks are not used, damage to the appliance casing may occur from over-tightening screws.
  - **NOTE:** When mounting the microwave oven, thread the power cord through hole in bottom of top cabinet. Keep it tight through Steps 1-3. Do not pinch cord or lift oven by pulling cord.
1. Lift the microwave, tilt it forward, and hook the slots at the back bottom edge onto four lower tabs of mounting plate.
  2. Rotate the front of oven up against the cabinet bottom.

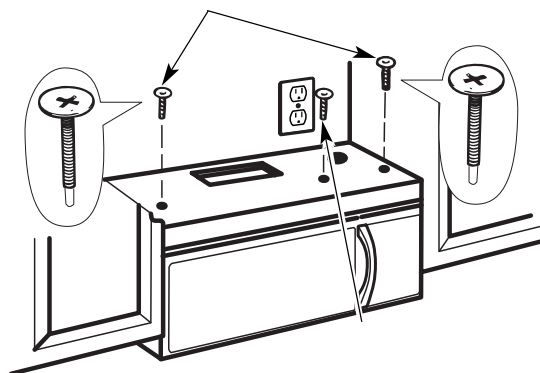


# INSTALLATION RECIRCULATING

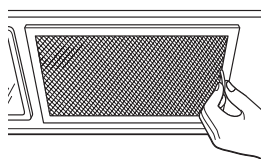
3. Insert one self-aligning screw through top center cabinet hole. Temporarily secure the oven by turning the screw at least two full turns after the threads have engaged (do not tighten yet; it will be completely tightened later). Be sure to keep the power cord tight. Be careful not to pinch the cord, especially when mounting flush to bottom of cabinet.



4. Lift the microwave to the top of the cabinet and insert two additional self-aligning screws through the outer top cabinet holes. Give each screw two full turns, and then fully tighten the center screw inserted in step 3.



5. With the center screw secured, next, fully tighten the outer two screws to the top of the microwave oven. While tightening all screws, be sure to hold the microwave oven in place against the wall and the top cabinet.



6. Install grease filters to the bottom of the unit. Refer to the User Manual for care and maintenance directions.

# INSTALLATION RECIRCULATING

## C5. REPLACING THE CHARCOAL FILTER

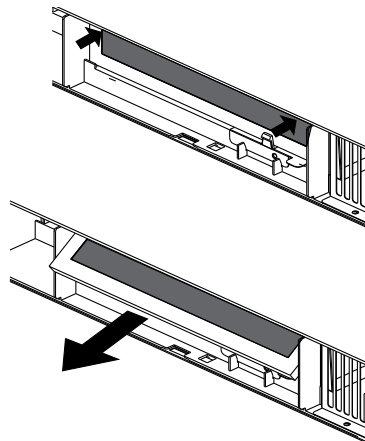
A charcoal filter is factory installed in most ZLINE MWO-OTR models; it's made of activated carbon that is specifically designed to remove contaminants and impurities from the air before recirculating back in your home.

Follow these steps to replace or install a charcoal filter:

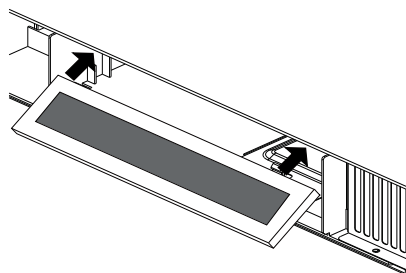
1. Unplug the microwave oven or disconnect power.
2. Open the microwave door and remove the two vent mounting screws located on top of the microwave using a #1 Phillips screwdriver.



3. Remove the charcoal filter by pushing the top of the filter inward, then pull it up, forward, and out from the unit.

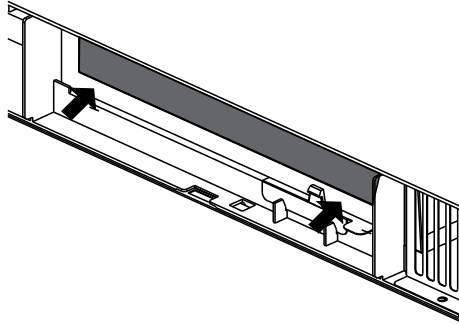


4. Slide the top of the new charcoal filter into the top of the filter cavity.

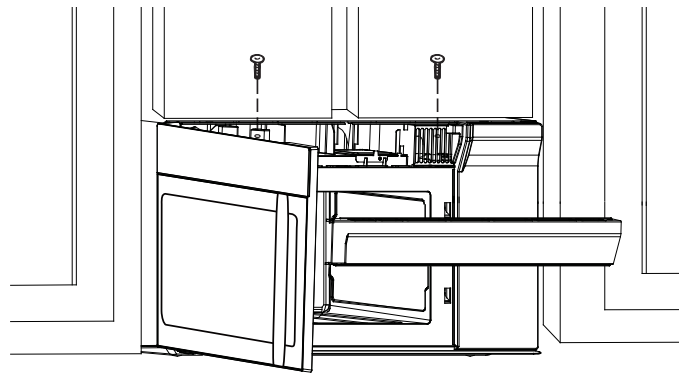


# INSTALLATION RECIRCULATING

5. Following the reverse process of step 3, press the bottom of the charcoal filter to place it into the correct position.



6. Reinstall the vent by sliding the bottom of the vent into place. Push the vent top into position and slide right into place. Replace the two vent mounting screws located on top of the microwave using a #1 Phillips screwdriver.



7. Close the microwave door. Plug in microwave oven or reconnect power.

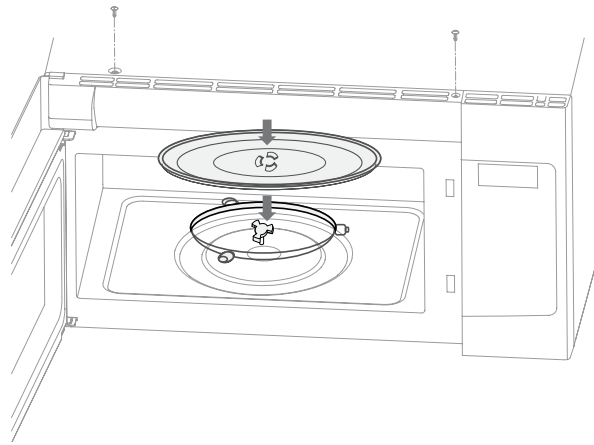
**NOTE:** ZLINE recommends replacing the charcoal filter every 6-9 months if your microwave is installed for recirculation. Depending on your cooking habits and household, charcoal filters may be replaced more frequently.

You can purchase replacement filters at [www.zlineparts.com](http://www.zlineparts.com) by searching for "MWO-CF".

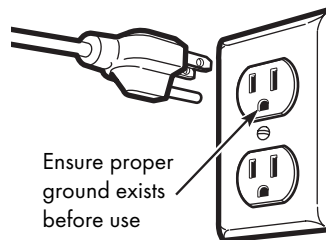
# INSTALLATION

## FINAL INSTALLATION STEPS

1. Make sure the microwave oven has been installed by a professional according to instructions provided in this manual.
2. Remove all packing material from the microwave oven.
3. Install the removable turntable support, glass turntable, and wire cooking rack inside the microwave oven.



4. Plug the 3-prong power cord into a separate and dedicated 15-amp electrical outlet by following the safety instructions outlined in this manual.



5. Replace house fuse and/or turn the circuit breaker back on.

# WARRANTY

## COVERAGE

ZLINE Kitchen and Bath ("ZLINE") microwave parts will be warrantied for two years from the original date of product delivery for the original purchaser of the product.

ZLINE warranty periods begin from the original date of product delivery and solely cover the original purchaser of the product, delivered new and in its original carton. ZLINE will provide free-of-charge, non-consumable replacement parts for the components that failed due to manufacturing defects.

It is the responsibility of the customer to install all replacement parts, as ZLINE does not perform service repairs on its microwave products.

ZLINE's liability is limited to the original purchase price of the product. Additional injuries, losses, damages, or other inconveniences caused by product malfunction or defects in materials are not covered under the terms of this warranty.

## TERMS

ZLINE warranties apply only to the original purchaser of a ZLINE product installed for normal residential use. This is defined as a single-family, residential dwelling in a non-commercial setting. Any warranty claim stemming from installation, operation, or any other use within a commercial setting is not covered under this limited warranty.

Commercial settings include, but are not limited to: schools, churches, hotels, restaurants, vacation rentals such as Airbnb, daycare centers, private clubs, fire stations, common areas in multi-family dwellings, nursing homes, food service locations, and institutional food service locations such as hospitals or correctional facilities.

This warranty is non-transferable and will not under any circumstance be extended based on the date of installation — the warranty period takes effect from the date of delivery and only covers the original purchaser. The warranty applies only to products installed in the contiguous United States and the District of Columbia.

# WARRANTY

Out-of-pocket payments will not be reimbursed for replacement parts unless prior approval is received from ZLINE. Unapproved out-of-pocket payments for parts will not be reimbursed. Out-of-pockets for any type of service will not be reimbursed, as ZLINE does not perform service repairs on its microwave products. All warranty procedures must be followed to maintain warranty coverage.

If ZLINE is unable to replace the defective part after a reasonable number of attempts, ZLINE reserves the right to offer to replace the product or provide the original purchaser a full refund of the purchase price of the product (not including installation, removal, or other charges that were not included in the original purchase price).

The original purchaser of the product must provide the original proof of purchase, including the purchase date, when filing a claim to obtain replacement parts or refunds. Additionally, the original purchaser of the product must provide the serial number of the product when filing a claim to obtain replacement parts or refunds.

This warranty shall not apply to any ZLINE product in which the original factory serial number has been removed, altered, or cannot be readily determined for any reason. Further, ZLINE is not responsible for damage resulting from, but not limited to: shipment, delivery, or improper installation; negligence or improper maintenance, misuse, or abuse of the product; unauthorized alteration, modification, or tampering with the product; accident, fire, floods, pest infestations, pandemics, natural disasters, or any other unpreventable or unexplained acts of nature, commonly referred to as "acts of God"; flare-up fires or damages caused by improper electric supply, electrical line current, voltage, or power surges; and service to correct installation not in accordance with the instructions contained in ZLINE's product manuals and/or with local government codes.

Additionally, this microwave warranty does not apply to aesthetic damage, scratches, or natural wear caused by normal use; second-hand, open box products, or products purchased from an unauthorized retailer; consumable parts including, but not limited to, metal and charcoal filters; and damages, problems, or any type of performance-related issues stemming from alteration or tampering with the microwave, including, but not limited to, painting stainless steel, black stainless, or DuraSnow® finishes or any portion of the product's interior or exterior, and cutting the 3-prong plug to manually hardwire the product.

# WARRANTY

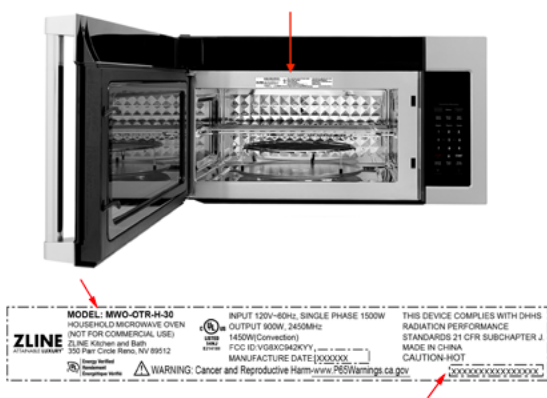
Information contained within ZLINE's installation and user manuals, in addition to product information included on ZLINE's website and all related digital listings, do not cover every possible condition and situation that may occur during the installation or operation of ZLINE products.

ZLINE reserves the right to make changes at any time to its products when considered safe, necessary, and useful. Always check the ZLINE website for the most up-to-date version of its product manuals: [www.zlinekitchen.com/pages/manuals](http://www.zlinekitchen.com/pages/manuals).

Do not install or operate any ZLINE product if it has missing or broken parts or if it arrives damaged due to shipping. If ZLINE products arrive damaged, contact ZLINE Customer Experience at 1-614-777-5004 for help. Failure to report a damaged appliance prior to installation or operation may void the warranty. ZLINE does not perform service repairs on its microwave products.

ZLINE disclaims responsibility for damage or injury caused by improper installation or use of any of its products. ZLINE is under no obligation, by law or otherwise, to provide concessions, including repairs, prorates, rebates, discounts, or replacements, once the warranty has expired.

## SERIAL NUMBER LOCATION



The rating tag shows the model and serial number of your appliance. Please write down the model number and serial number of your appliance. The serial number is located on the front of the microwave. The tag is visible when the microwave door is open. Both are needed to obtain warranty assistance. Do not remove permanently affixed labels, warnings, or plates from the product. This will void the warranty. You may also consider attaching your receipt or proof of purchase to this manual.

# WARRANTY

## CUSTOMER SERVICE AND PARTS INFORMATION



Please contact ZLINE Customer Service for questions and troubleshooting help at 1-614-777-5004 or visit [www.zlinekitchen.com/contact](http://www.zlinekitchen.com/contact) to utilize our online Customer Experience Portal.



Scan the QR code to view the most up-to-date version of our Installation Manual and User Manual.



Need to purchase a part or accessory for your ZLINE product? Visit [www.zlineparts.com](http://www.zlineparts.com), ZLINE's official parts distribution partner.

2.3.2

1-614-777-5004

[www.zlinekitchen.com](http://www.zlinekitchen.com)

[contact@zlinekitchen.com](mailto:contact@zlinekitchen.com)

**ZLINE**  
ATTAINABLE LUXURY®