

Electric Range

Installation manual

Anti-tip device

WARNING

To reduce the risk of tipping the appliance, the appliance must be secured by properly installed anti-tip devices packed with the appliance.



- A. A child or adult can tip the range and be killed.
- B. Install the anti-tip device to the structure and/or the range at rear right (or rear left) of the range bottom.
- C. Engage the range to the anti-tip device by leveling leg at rear right (or rear left) of the range bottom.
- D. Re-engage the anti-tip device if the range is moved.
- E. See installation instructions for details.
- F. Failure to do so can result in death or serious burns to children or adults.

About this manual

READ THESE INSTRUCTIONS COMPLETELY AND CAREFULLY.

Important note to the installer

- Read all instructions contained in these installation instructions before installing the range.
- Remove all packing materials from the oven compartments before connecting the electrical supply to the range.
- Observe all governing codes and ordinances.
- Save for the local electrical inspector's use.
- Be sure to leave these instructions with the consumer.

Important note to the consumer

Keep these instructions for the local electrical inspector's use.

- As when using any appliance generating heat, there are certain safety precautions you should follow.
- Be sure your range is installed and grounded properly by a qualified installer or service technician.
- For the range to ventilate properly, make sure the range's vents are not blocked or covered, and that there is enough clearance at the top, back, sides, and underneath the range. The vents allow the necessary exhaust for the range to operate properly with correct combustion and get the good cooking result.
- Make sure the wall coverings around the range can withstand the heat generated by the range.
- To eliminate the need to reach over the surface elements, avoid having cabinet storage space above the cooktop.
- The range should not be placed on a base.

For your safety

WARNING

- If the information in this manual is not followed exactly, a fire or electrical shock may result causing property damage, personal injury, or death.
- Before beginning the installation, switch the power off at the service panel and lock the service disconnecting switch to prevent power from being switched on accidentally. When the service disconnecting switch cannot be locked, securely fasten a prominent warning device, such as a tag, to the service panel.
- This appliance must be properly grounded.

SAMSUNG

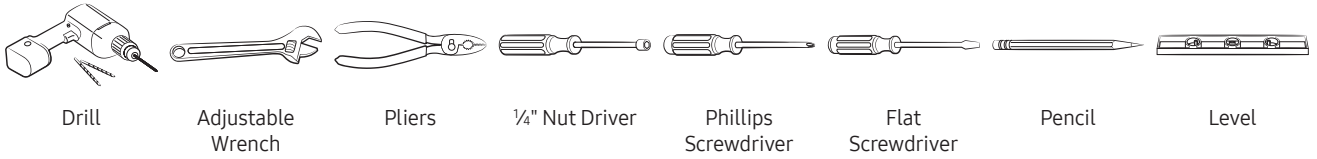


DG68-01624B-01

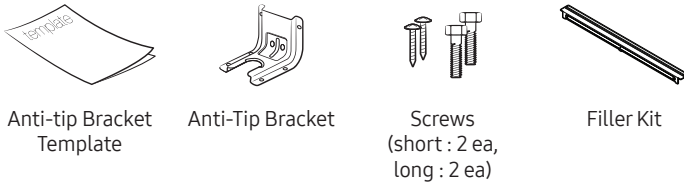
Preparing to install the range

Prepare tools & Parts

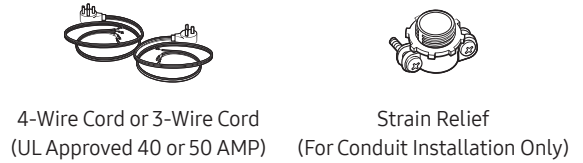
The tools you will need



What's included with your range



Additional materials you may need



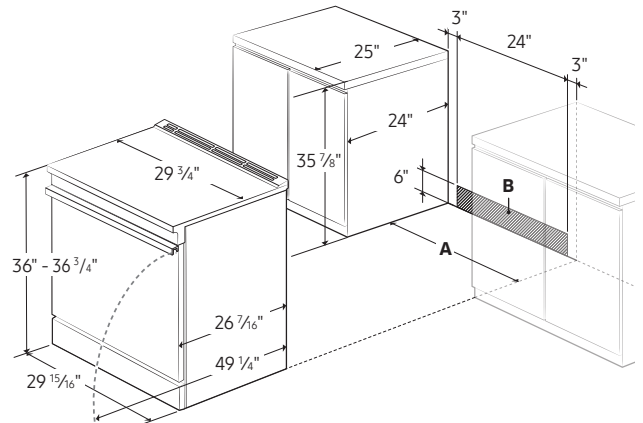
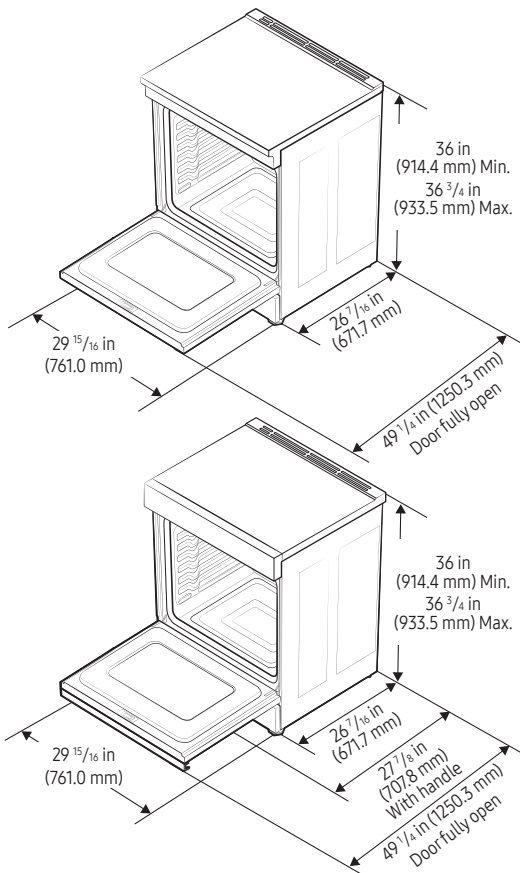
Checking the installation site

Clearances and dimensions

To install the range, refer to the following figure.

⚠ CAUTION

This range has been designed to comply with the maximum allowable wood cabinet temperatures of 194 °F. Make sure the wall covering, countertops, and cabinets around the range can withstand the heat (up to 194 °F) generated by the range. If not, discoloration, delamination, or melting may occur.



A. Cabinet opening min 30" (76.2 cm)

B. Acceptable electrical outlet area

IMPORTANT: If your cabinets are over 36 ¾" high, you must install this range on a hard, heat resistant support that raises the surface of the range so that it is about even with the countertop.

⚠ CAUTION

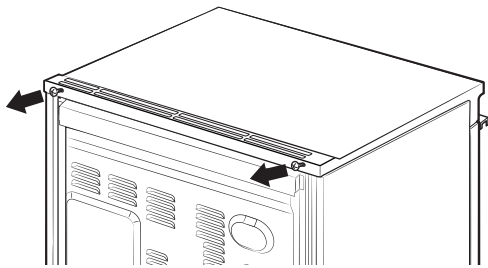
You must use the rear filler kit to install the range in a freestanding cutout cabinet. For more information, see "Optional rear filler kit" as shown below.

📌 NOTE

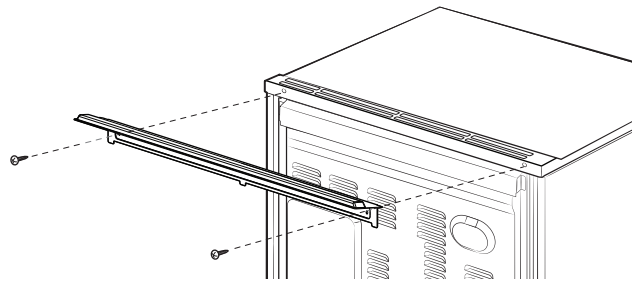
If you install the product in a kitchen island, you must maintain minimum 2 ½" from cutout to back edge of the countertop and minimum 3" from cutout to side edges of the countertop.

Optional rear filler kit

Used to fill gap between the range back and wall. Adds a filler strip to the rear of the range. This kit can only be used when the opening in the countertop is 25" deep.



1. Unscrew the screws affixing the vent cover.

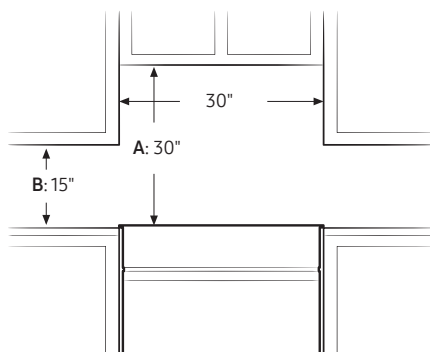


2. Assemble the filler strip to the back of the range using the removed screws.

NOTE

If the countertop depth is greater than 25", there will be a gap between the filler kit and the back wall.

Minimum dimensions



IMPORTANT: To eliminate the risk of burns or fire caused by reaching over heated surface units, avoid having cabinet storage space located above the surface units. If you have cabinet storage space over the heating elements, you can reduce the risk by installing a range hood that projects horizontally a minimum of 5 inches beyond the bottom of the cabinets.

- A. A minimum of 30" is required between the top of the cooking surface and the bottom of an unprotected wood or metal cabinet; a minimum of 24" is required if the bottom of the wood or metal cabinet is protected by not less than ¼" of flame retardant millboard covered with not less than no.28 MSG of sheet steel, 0.015" of stainless steel, 0.024" of aluminum, or 0.020" of copper.
- B. A minimum of 15" is required between the countertop and the adjacent cabinet bottom.

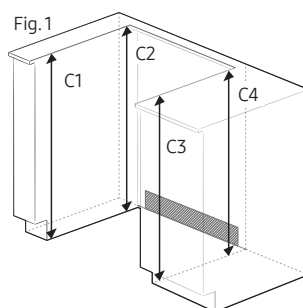
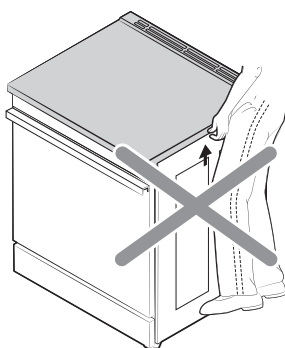
CAUTION

Vapors may come out from the vent. It is normal, but be careful as it may be hot. Depending on the material of your wall, hot vapors may leave stains on it.

To avoid breakage

CAUTION

Do NOT lift or handle the unit by the cooktop glass or door handle.



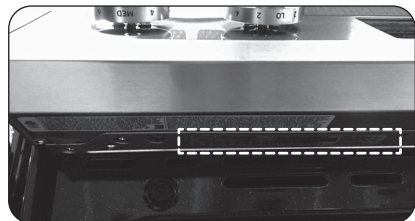
1. The counter top around the cut-out should be flat and leveled.
2. Before installing the unit, measure the heights of the two cabinet sides (C1-C4), front and back (See Fig. 1) from the floor to the top of the counter.
3. Level the range using the four leveling legs so that the height from the floor to the underside of the cooktop glass frame is greater than the tallest cabinet measurement by at least ¼".
4. Slide the unit into the cabinet (**DO NOT PUSH THE UNIT HARD**). Make sure the center of the unit aligns with the center of the cabinet cut-out.

Connecting the power

Step 1. Meeting electrical connection requirements

CAUTION

For personal safety, do not use an extension cord with this appliance. Remove the house fuse or open the circuit breaker before beginning installation.



This appliance must be supplied with the proper voltage and frequency, and be connected to an individual, properly grounded branch circuit, protected by a circuit breaker or fuse having amperage as specified on the rating plate. The rating plate is located on the bottom side of the control panel.

We recommend you have the electrical wiring and hookup of your range connected by a qualified electrician. After installation, have the electrician show you where your main range disconnect is located.

Check with your local utilities for electrical codes which apply in your area. Failure to wire your oven according to governing codes could result in a hazardous condition. If there are no local codes, your range must be wired and fused to meet the requirements of the National Electrical Code, ANSI/NFPA No. 70–Latest Edition. You can get a copy by writing:

National Fire Protection Association
Batterymarch Park
Quincy, MA 02269

Effective January 1, 1996, the National Electrical Code requires that new construction (not existing) utilize a 4-conductor connection to an electric range.

When installing an electric range in new construction, follow Steps 2 and 3 for a 4-wire connection.

You must use a 3-wire or 4-wire, single-phase A.C. 208Y/120 Volt or 240/120 Volt, 60 hertz electrical system.

If the electrical service provided does not meet the above specifications, have a licensed electrician install an approved outlet.

Use only a 3-conductor or a 4-conductor UL-listed range cord. These cords may be provided with ring terminals on the wire and a strain relief device.

A range cord rated at 40 amps with 125/250 minimum volt range is required. A 50 amp range cord is not recommended but if used, it should be marked for use with nominal $1\frac{3}{8}$ " diameter connection openings. Care should be taken to center the cable and strain relief within the knockout hole to keep the edge from damaging the cable.

- Because range terminals are not accessible after the range is in position, a flexible service conduit or cord must be used.

NOTE

If the power connection is plugged in improperly, the following message appears on the display.

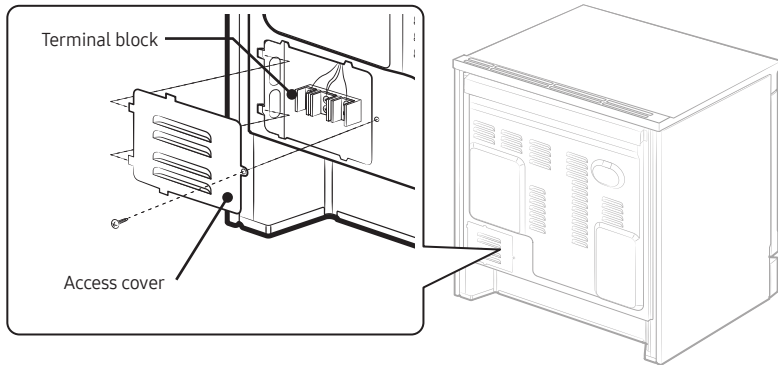
- LCD, PMOLED : Wire installation fail
- LED : bAd LinE

Reconnect the power connection properly, and the message disappears.



ALL NEW BRANCH-CIRCUIT CONSTRUCTIONS, MOBILE HOMES, RECREATIONAL VEHICLES, AND INSTALLATIONS WHERE LOCAL CODES DO NOT ALLOW GROUNDING THROUGH NEUTRAL, REQUIRE A 4-CONDUCTOR UL-LISTED RANGE CORD.

Step 2. Accessing the power cord connection



Loosen and then remove the rear access cover screw with a screwdriver. Remove the rear access cover by pull right and then out. The terminal block will then be accessible.

Specified rating of power-supply-cord kit and circuit protection

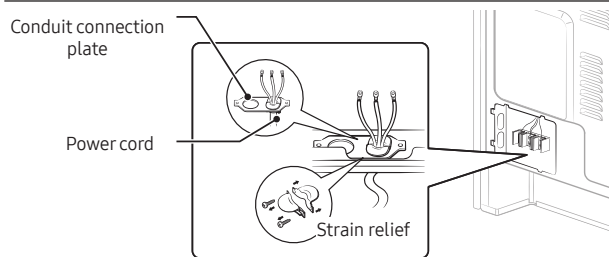
Range rating, watts		Specified rating of power-supply-cord kit and circuit protection, Amps	Diameter (inches) of range connection opening	
120/240 volts 3-wire	120/208 volts 3-wire		Power cord	Conduit
8750-16500	7801-12500	40 or 50 A	1 3/8"	1 1/8"

This appliance must be supplied with the proper voltage at the proper frequency and must be connected to a dedicated, properly grounded branch circuit protected by a 40 amp or larger circuit breaker.

NOTE

- For power cord installations, go to **Step 3** on page 4.
- For conduit installations, go to **Step 4** on page 5.

Step 3. Installing the power cord



For power cord installations, hook the strain relief over the power cord hole (1 3/8") located below the rear of the drawer body. Insert the power cord through the strain relief and tighten the device.

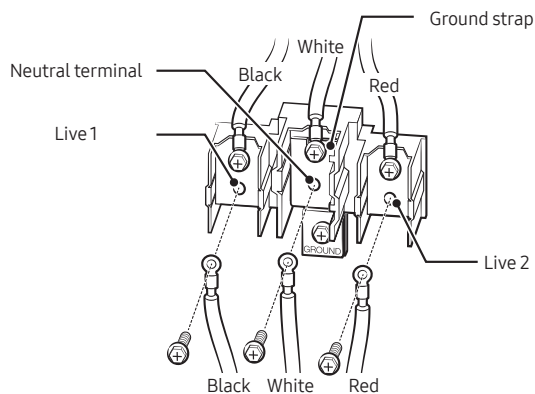
- You must install the power cord with a strain relief.**
- Attach the strain relief to the 1 3/8" opening in the conduit connection plate.

CAUTION

You must check voltage after connecting power cord.

Live 1 - Neutral	120 V
Live 2 - Neutral	120 V
Live 1 - Live 2	208 V / 240 V

Installing a 3-wire power cord

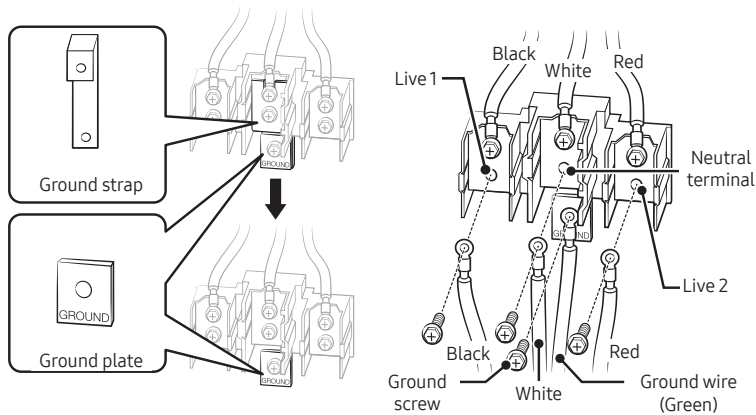


WARNING

The neutral or ground wire of the power cord must be connected to the neutral terminal located in the center of the terminal block. The power leads must be connected to the lower left and the lower right terminals of the terminal block.

- Remove the 3 lower terminal screws from the terminal block.
- Insert the 3 terminal screws through each power cord terminal ring and into the lower terminals of the terminal block. Be certain that the center wire (white/neutral) is connected to the center lower position of the terminal block.
- Tighten screws securely to the terminal block. **DO NOT remove the ground strap connection.**
- Go to **Step 5** on page 6 to continue with the installation.

Installing a 4-wire power cord

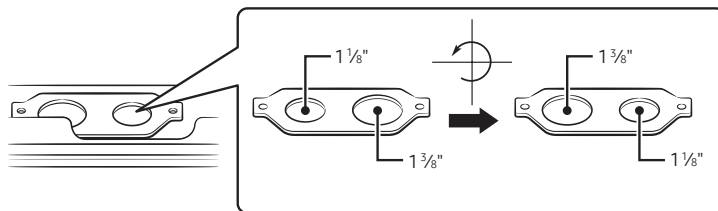


⚠ WARNING

The neutral wire of the supply circuit must be connected to the neutral terminal located in the lower center of the terminal block. The power leads must be connected to the lower left and the lower right terminals of the terminal block. The 4th grounding lead must be connected to the frame of the range with the ground plate and the ground screw.

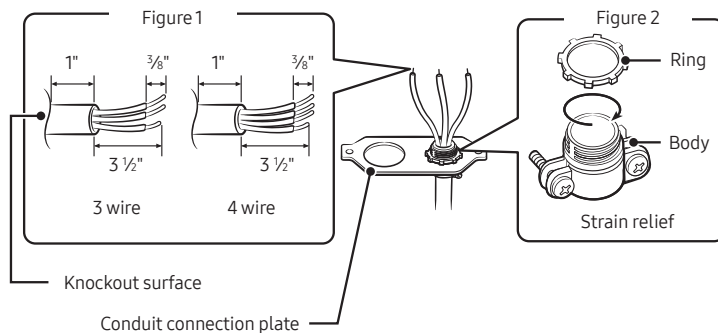
1. Remove the 3 lower terminal screws from the terminal block. Remove the ground screw and ground plate and retain them.
2. **Cut and discard the ground strap. Do not discard any screws.**
3. Insert the ground screw into the power cord ground wire terminal ring, through the ground plate, and into the frame of the range.
4. Insert the 3 terminal screws (removed earlier) through each power cord terminal ring and into the lower terminals of the terminal block. Be certain that the center wire (white/neutral) is connected to the center lower position of the terminal block. Tighten screws securely to the terminal block.
5. Go to **Step 5** on page 6 to continue with the installation.

Step 4. Installing the conduit



Remove the conduit connection plate and rotate it as shown below.

The conduit hole (1 1/8") must be used.



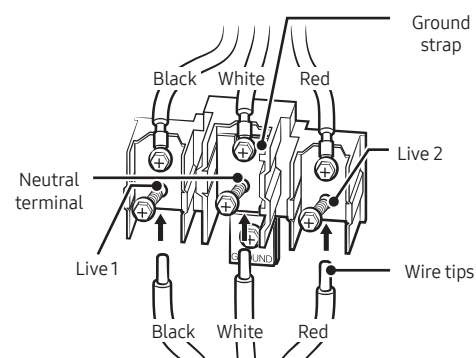
1. Prepare the conduit cord as shown in Figure 1.
2. Install the conduit cord as shown in Figure 2.
For conduit installations, insert the strain relief (not included) into the conduit hole (1 1/8"). Then thread the conduit cord through the body of the strain relief and fasten the ring. Reinstall the bracket.

⚠ CAUTION

You must check voltage after connecting power cord.

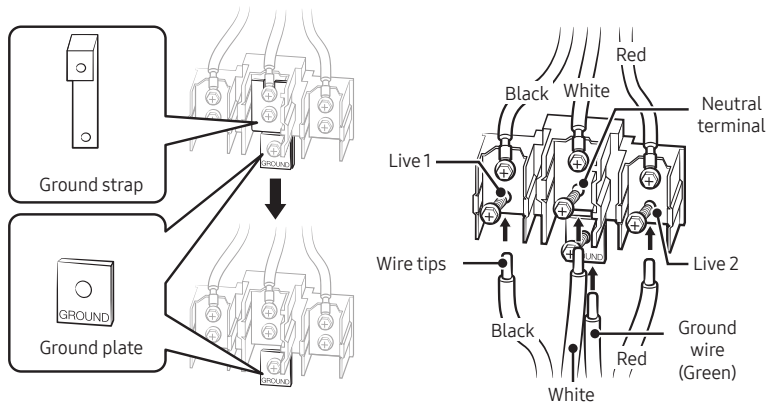
Live 1 - Neutral	120 V
Live 2 - Neutral	120 V
Live 1 - Live 2	208 V / 240 V

Installing a 3-wire conduit



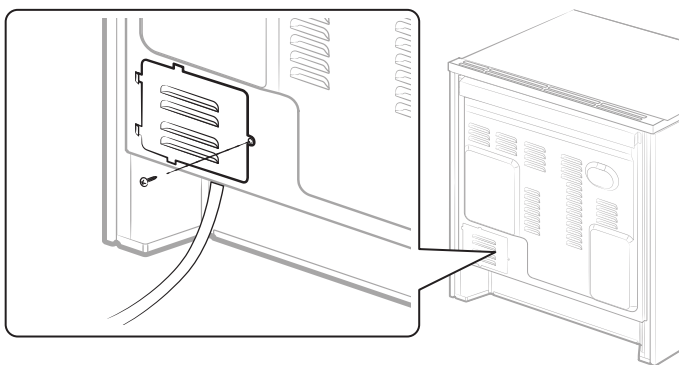
- Aluminum building wire may be used but it must be rated for the correct amperage and voltage. Connect the wires as described below.
 - The wire you use, the location and enclosure of splices, etc., must conform to good wiring practices and local codes.
1. Loosen the 3 lower terminal screws from the terminal block.
 2. Insert the center bare wire (white/neutral) tip through the bottom center terminal block opening. On certain models, the wire will need to be inserted through the ground strap opening and then into the bottom center block opening.
 3. Insert the two side bare wire tips into the lower left and the lower right terminal block openings.
 4. Tighten the screws until the wire is firmly secured (35 to 50 inch-lbs.). Do not over-tighten the screws since it could damage the wires.
 5. Go to **Step 5** on page 6 to continue with the installation.

Installing a 4-wire conduit



- Aluminum building wire may be used but it must be rated for the correct amperage and voltage to make the connection. Connect the wires as described below.
 - The wire you use, the location and enclosure of splices, etc., must conform to good wiring practices and local codes.
1. Loosen the 3 lower terminal screws from the terminal block. Remove the ground screw and ground plate and retain them.
 2. **Cut and discard the ground strap. Do not discard any screws.**
 3. Insert the ground bare wire tip between the range frame and the ground plate (removed earlier) and secure it in place with the ground screw (removed earlier).
 4. Insert the bare wire (white/neutral) tip through the bottom center of the terminal block opening.
 5. Insert the two side bare wire tips into the lower left and the lower right terminal block openings.
 6. Tighten the screws until the wire is firmly secured (35 to 50 inch-lbs.). Do not over-tighten the screws since it could damage the wires.
 7. Go to **Step 5** on page 6 to continue with the installation.

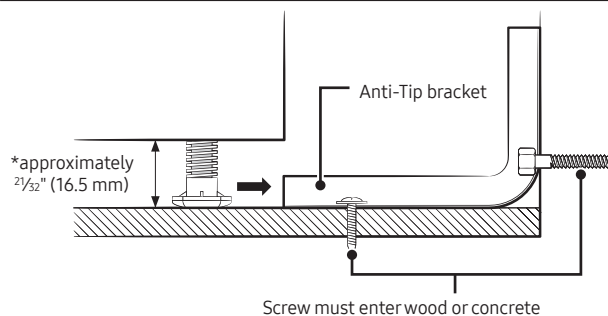
Step 5. Replacing the access cover



To replace the rear access cover on the range back. Insert the double projections on the bottom of the cover into the pockets located below the opening, and then insert and tighten the rear access cover screw.

Installing the range

Installing the anti-tip device



⚠ WARNING

To reduce the risk of tipping, you must secure the appliance by properly installing the Anti-Tip device packed with the appliance.

- Refer to the installation instructions supplied with the bracket.
- If the anti-tip device is not installed properly, an adult or child stepping on or sitting on the range door could tip the range and suffer serious injuries caused by spilled hot liquids or by the range itself.

📖 NOTE

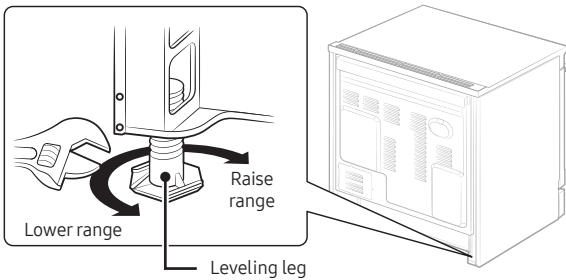
To install the Anti-Tip bracket, release the leveling leg. A minimum clearance of $2\frac{1}{2}$ " (16.5 mm) is required between the range bottom and the kitchen floor.

1. Install the bracket using the template

The Anti-Tip bracket is packaged with a template. The instructions include information necessary to complete the installation. Read and follow the instructions on the sheet (template) for range installation.

2. Level the range

Level the range by adjusting the leveling legs with a wrench.

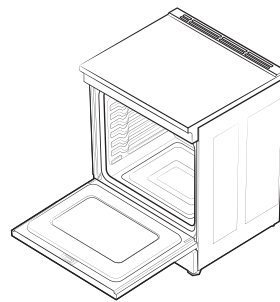
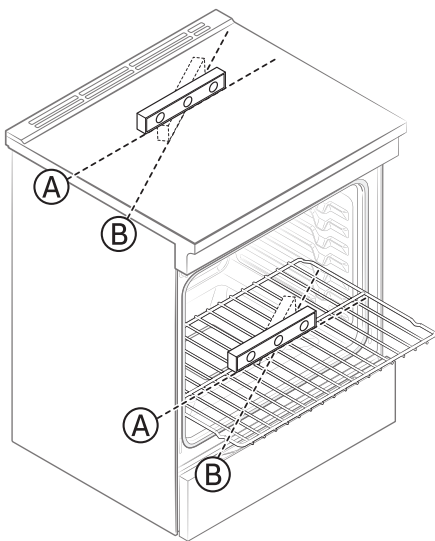


3. Check your adjustments

Use a spirit level to check your adjustments. Place the level diagonally on the oven rack or surface cooktop, and confirm the range is level in the two directions shown below.

- A. Check direction A.
- B. Check direction B.

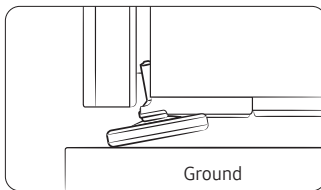
If the spirit level indicates that the range is not level, adjust the leveling legs with a wrench.



NOTE

1. Make sure the unit is leveled properly and check if the door opens without any issues.
2. If the door does not open completely, level the range by adjusting Back leveling legs.

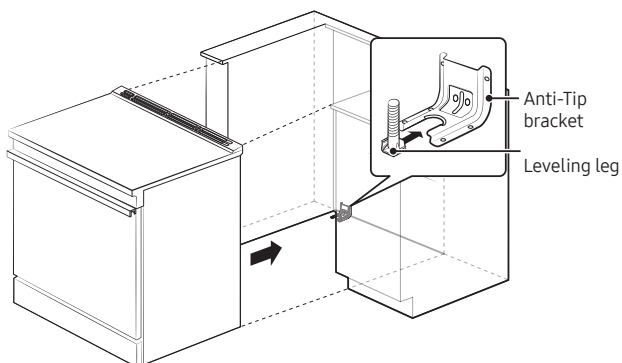
- ※ Applied model : NSI6DG99* , NSI6DB99*
- ※ Raise the height of the back of the range.



CAUTION

For your safety, do not attempt to modify or straighten front legs. Front leveling legs on the range are designed to be slanted to prevent accidental tipping.

Finalizing the installation



- Move range close enough to the opening to plug into the receptacle.
- Slide the range into position ensuring that the rear left (or rear right) leg slides under the Anti-Tip bracket.
- Carefully tip the range forward to insure that the Anti-Tip bracket engages the back brace and prevents tip-over.
- Turn on the electrical power. Check the range for proper operation as described in the user manual.

Cuisinière électrique

Manuel d'installation

Dispositif anti-basculement

⚠ AVERTISSEMENT

Pour réduire le risque de basculement de l'appareil, celui-ci doit être sécurisé grâce à l'installation des dispositifs anti-basculement fournis avec l'appareil.



- Un enfant ou un adulte peut faire basculer la cuisinière et être tué.
- Installez le dispositif anti-basculement sur la structure et/ou la cuisinière à l'arrière droit (ou à l'arrière gauche) du bas de la cuisinière.
- Engagez la cuisinière dans le dispositif anti-basculement en réglant le pied de nivellement à l'arrière droit (ou à l'arrière gauche) du bas de la cuisinière.
- Réengagez le dispositif anti-basculement si la cuisinière est déplacée.
- Voir les instructions d'installation pour plus de détails.
- Le non-respect de cette consigne peut entraîner la mort ou des brûlures graves chez les enfants et les adultes.

À propos de ce manuel

LISEZ ENTIÈREMENT ET ATTENTIVEMENT CES INSTRUCTIONS.

Remarque importante destinée à l'installateur

- Lisez toutes les instructions contenues dans ce manuel d'installation avant d'installer la cuisinière.
- Retirez tous les matériaux d'emballage des compartiments du four avant de raccorder l'alimentation électrique à la cuisinière.
- Respectez tous les codes et ordonnances en vigueur.
- Conservez-les afin que la personne chargée de contrôler l'installation électrique locale puisse s'y reporter.
- Veillez à laisser ces instructions à l'utilisateur.

Remarque importante à l'attention de l'utilisateur

Conservez ces instructions d'installation afin que la personne chargée de contrôler l'installation électrique locale puisse s'y reporter.

- Comme pour l'utilisation de tout appareil générant de la chaleur, vous devez respecter certaines précautions de sécurité.
- Assurez-vous que votre cuisinière est installée et mise à la terre correctement par un installateur ou un technicien qualifié.
- Pour une bonne ventilation de la cuisinière, assurez-vous que les orifices de ventilation ne sont pas bloqués ou recouverts et qu'il y a suffisamment d'espace libre en haut, à l'arrière, sur les côtés et sous la cuisinière. Les orifices de ventilation permettent l'échappement nécessaire au bon fonctionnement de l'appareil, à une combustion correcte et à l'obtention des résultats de cuisson escomptés.
- Assurez-vous que les revêtements muraux autour de la cuisinière peuvent résister à la chaleur générée par l'appareil.
- Pour éviter d'avoir à passer la main au-dessus des éléments de surface, n'installez pas un meuble de rangement au-dessus de la table de cuisson.
- La cuisinière ne doit pas être placée sur un socle.

Pour votre sécurité

⚠ AVERTISSEMENT

- Le non-respect des informations contenues dans ce manuel peut provoquer un incendie ou un choc électrique et entraîner des dommages matériels, des blessures ou la mort.
- Avant de procéder à l'installation, coupez l'alimentation au niveau du panneau de service et verrouillez l'interrupteur de déconnexion de service pour éviter toute remise sous tension accidentelle. Lorsque l'interrupteur de déconnexion de service ne peut pas être verrouillé, fixez solidement un dispositif d'avertissement bien visible, tel qu'une étiquette, sur le panneau de service.
- Cet appareil doit être correctement mis à la terre.

SAMSUNG

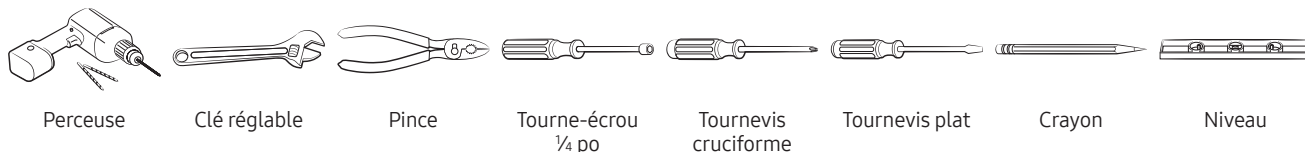


DG68-01624B-01

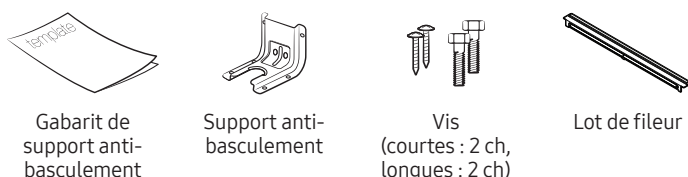
Préparation de l'installation de la cuisinière

Préparer les outils et les pièces requis

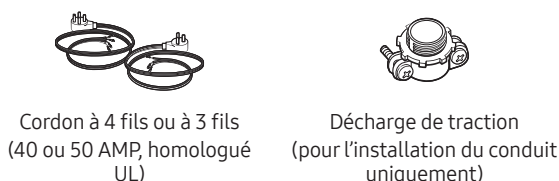
Outils dont vous aurez besoin



Contenu de votre cuisinière



Matériel supplémentaire dont vous pourriez avoir besoin



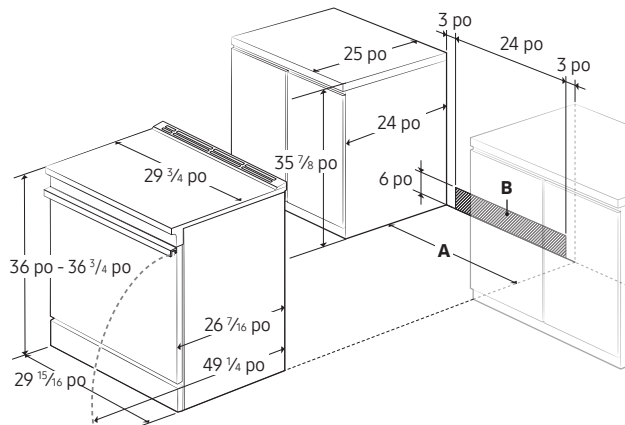
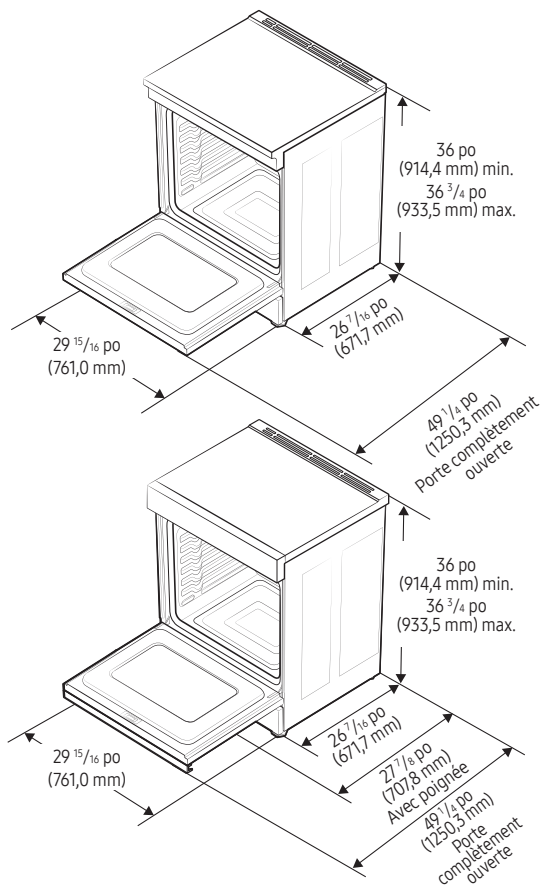
Vérification du site d'installation

Dégagements et dimensions

Pour installer la cuisinière, reportez-vous à la figure suivante.

⚠ MISE EN GARDE

Cette cuisinière a été conçue pour être conforme à la température maximale autorisée pour les éléments de rangement en bois, soit 90 °C (194 °F). Assurez-vous que le revêtement mural, les comptoirs et les armoires autour de la cuisinière peuvent résister à la température maximale générée par la cuisinière qui est de 90 °C (194 °F). Si ce n'est pas le cas, une décoloration, une délamination ou une fonte peuvent survenir.



A. Ouverture minimum de l'armoire 30 po (76,2 cm)

B. Zone acceptable pour le branchement de la prise d'alimentation
IMPORTANT : Si vos armoires mesurent plus de 36 3/4 po en hauteur, vous devez installer cette cuisinière sur un support rigide et résistant à la chaleur qui surélève la surface de la cuisinière de manière à ce qu'elle soit à peu près à la même hauteur que le comptoir.

⚠ MISE EN GARDE

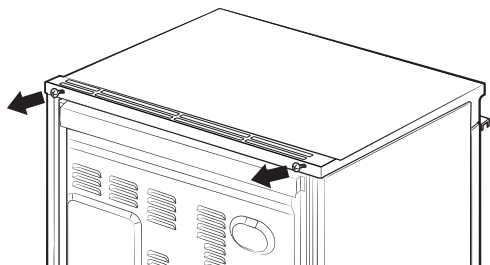
Vous devez utiliser le lot de fileur arrière pour installer la cuisinière dans une armoire autoportante à découpe. Pour plus d'informations, voir « lot de fileur arrière en option » comme indiqué ci-dessous.

📖 REMARQUE

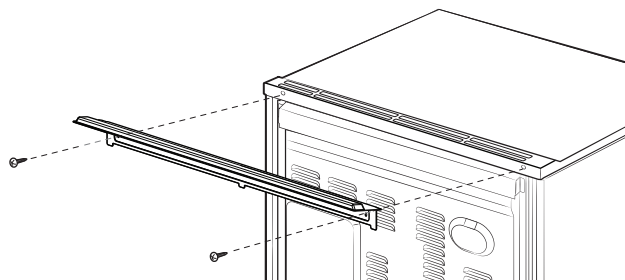
Si vous installez le produit dans un îlot de cuisine, vous devez respecter une distance minimale de 2 1/2 po de la découpe au bord arrière du comptoir, et une distance minimale de 3 po de la découpe aux bords droit et gauche du comptoir.

Lot de fileur arrière en option

Utilisé pour combler l'espace entre l'arrière de la cuisinière et le mur. Ajoute une bande de fileur à l'arrière de la cuisinière. Ce lot ne peut être utilisé que lorsque l'ouverture dans le comptoir dispose d'une profondeur de 25 po.



1. Dévissez les vis de montage de la protection du ventilateur.

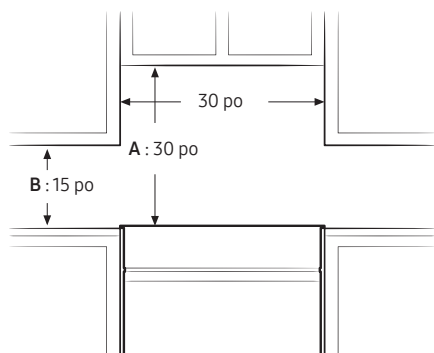


2. Assemblez la bande de fileur à l'arrière de la cuisinière à l'aide des vis retirées.

REMARQUE

Si la profondeur du comptoir est supérieure à 25 po, il existera un espace entre le lot fileur et le mur arrière.

Dimensions minimales



IMPORTANT : Pour éliminer les risques de brûlures ou d'incendie causés par le passage de la main sur les éléments chauffés, évitez de disposer d'un espace de rangement au-dessus des éléments. Si vous disposez d'un espace de rangement au-dessus des éléments chauffés, vous pouvez réduire le risque en installant une hotte qui dépasse horizontalement d'au moins 5 pouces le bas des armoires.

- A. Un dégagement minimum de 30 po est requis entre le haut de la surface de cuisson et le bas d'une armoire en bois ou en métal non protégée; un dégagement minimum de 24 po est requis si le bas de l'armoire en bois ou en métal est protégé par un panneau de particules ignifugé d'au moins 1/4 po recouvert d'une tôle d'acier d'au moins 0,28 MSG, d'une plaque en feuille d'acier d'au moins 0,015 po, d'aluminium d'au moins 0,024 po ou de cuivre d'au moins 0,020 po.
- B. Un dégagement minimum de 15 po est requis entre le comptoir et le fond de l'armoire adjacente.

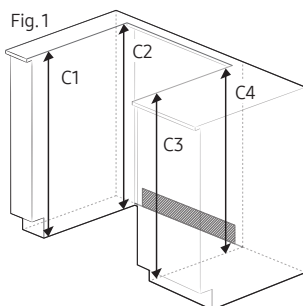
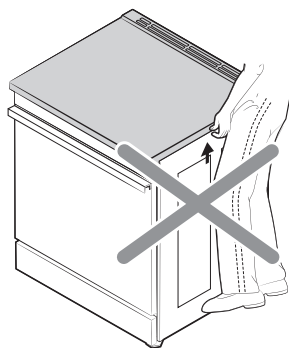
MISE EN GARDE

Des vapeurs peuvent s'échapper de la bouche d'aération. Ce phénomène est normal, toutefois il convient de faire preuve de prudence car la vapeur peut être chaude. Selon le matériau du mur, les vapeurs chaudes peuvent y laisser des taches.

Pour éviter tout bris

MISE EN GARDE

Ne PAS soulever ou manipuler l'appareil en le saisissant par la vitre de la table de cuisson ou par la poignée de la porte.



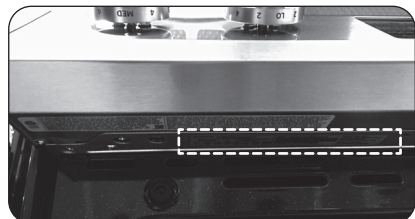
- 1. Le comptoir autour de la découpe doit être plat et de niveau.
- 2. Avant d'installer l'unité, mesurez les hauteurs des deux côtés de l'armoire (C1-C4), à l'avant et à l'arrière (voir figure 1), du sol au haut du comptoir.
- 3. Mettez la cuisinière à niveau à l'aide des quatre pieds de mise à niveau, de sorte que la hauteur entre le sol et le dessous du cadre en verre de la table de cuisson soit supérieure d'au moins 1/16 po à la mesure la plus haute de l'armoire.
- 4. Faites glisser l'unité dans l'armoire (**NE PAS EXERCER UNE FORTE PRESSION SUR L'UNITÉ**). Assurez-vous que le centre de l'unité est aligné avec le centre de la découpe de l'armoire.

Raccordement de l'alimentation

Étape 1. Satisfaire aux exigences de branchement électrique

MISE EN GARDE

Pour votre sécurité, n'utilisez pas de rallonge pour cet appareil. Retirez le fusible domestique ou ouvrez le disjoncteur avant de commencer l'installation.



Cet appareil doit être alimenté avec la tension et la fréquence appropriées, et raccordé à un circuit de dérivation individuel correctement mis à la terre, protégé par un disjoncteur ou un fusible dont l'intensité de courant est indiquée sur la plaque signalétique. La plaque signalétique est située au bas du tableau de commande.

Nous vous recommandons de faire raccorder le câblage électrique et le branchement de votre cuisinière par un électricien qualifié. Après l'installation, demandez à l'électricien de vous montrer où se trouve le sectionneur principal de la cuisinière.

Vérifiez auprès des services publics locaux les codes électriques en vigueur dans votre région. Si vous ne câblez pas votre four conformément aux codes en vigueur, vous risquez de créer une situation dangereuse. S'il n'existe aucun code local, votre cuisinière doit être câblée et munie de fusibles conformément aux exigences du Code national de l'électricité, ANSI/NFPA n° 70 – dernière édition. Vous pouvez en obtenir une copie en écrivant à :

National Fire Protection Association
Batterymarch Park
Quincy, MA 02269

Depuis le 1^{er} janvier 1996, le Code national de l'électricité exige que les nouvelles constructions (non existantes) utilisent un branchement à 4 conducteurs pour une cuisinière électrique.

Lorsque vous installez une cuisinière électrique dans une nouvelle construction, suivez les étapes 2 et 3 pour un branchement à 4 fils.

Vous devez utiliser un courant alternatif monophasé à 3 ou 4 fils. Système électrique de 208Y/120 V ou 240/120 V, 60 Hz.

Si le service électrique fourni ne répond pas aux spécifications ci-dessus, demandez à un électricien agréé d'installer une prise homologuée.

Utilisez uniquement un cordon de cuisinière à 3 ou 4 conducteurs homologué UL. Ces cordons peuvent être équipés de bornes à anneau sur le fil et d'un dispositif de décharge de traction.

Un cordon de cuisinière de 40 A avec une plage de tension minimale de 125/250 V est nécessaire. Un cordon de cuisinière de 50 A n'est pas recommandé, mais s'il est utilisé, il doit être marqué pour être utilisé avec des ouvertures de branchement d'un diamètre nominal de 1 3/8 po. Il faut veiller à centrer le câble et la décharge de traction dans le trou défonçable pour éviter que le bord n'endommage le câble.

- Étant donné que les bornes de la cuisinière ne sont pas accessibles une fois la cuisinière en place, il faut utiliser un conduit ou un cordon d'alimentation flexible.

REMARQUE

Si le branchement d'alimentation est mal fixé, le message suivant s'affiche à l'écran.

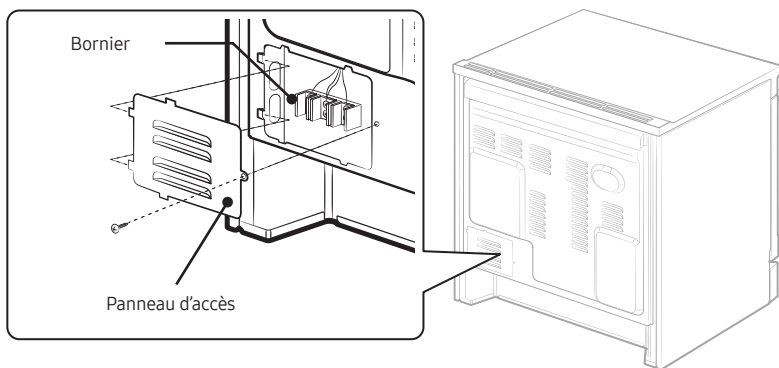
- LCD, PMOLED : Échec d'installation de fils
- DEL : mauvaise conduite

Rebranchez correctement l'alimentation et le message disparaît.



TOUTES LES NOUVELLES CONSTRUCTIONS DE CIRCUITS DE DÉRIVATION, LES MAISONS MOBILES, LES VÉHICULES DE LOISIRS ET LES INSTALLATIONS pour LESQUELLES LES CODES LOCAUX N'AUTORISENT PAS LA MISE À LA TERRE PAR LE NEUTRE, NÉCESSITENT UN CORDON DE CUISINIÈRE À 4 CONDUCTEURS HOMOLOGUÉ UL.

Étape 2. Accès au raccord du cordon d'alimentation



À l'aide d'un tournevis, desserrez puis retirez la vis du panneau d'accès situé à l'arrière de l'appareil. Retirez le panneau d'accès situé à l'arrière en le tirant bien droit pour le faire sortir. Le bornier sera alors accessible.

Puissance nominale indiquée du kit de cordon d'alimentation et de la protection des circuits

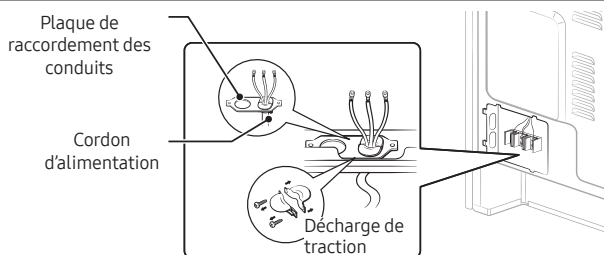
Puissance nominale de la cuisinière, en watts		Puissance nominale indiquée du kit de cordon d'alimentation et de protection des circuits, Ampères	Diamètre (pouces) de l'ouverture de branchement de la cuisinière	
120/240 volts 3 fils	120/208 volts 3 fils		Cordon d'alimentation	Conduit
8750-16500	7801-12500	40 ou 50 A	1 3/8 po	1 1/8 po

Cet appareil doit être alimenté à la tension et à la fréquence appropriées et doit être connecté à un circuit de dérivation dédié, correctement mis à la terre et protégé par un disjoncteur de 40 ampères ou plus.

REMARQUE

- Pour l'installation du cordon d'alimentation, passez à l'étape 3 de la page 4.
- Pour ce qui est des installations de conduits, passez à l'étape 4 de la page 5.

Étape 3. Installation du cordon d'alimentation



Pour l'installation du cordon d'alimentation, accrochez la décharge de traction sur le trou du cordon d'alimentation (1 3/8 po) situé sous l'arrière du corps du tiroir. Insérez le cordon d'alimentation à travers la décharge de traction et serrez le dispositif.

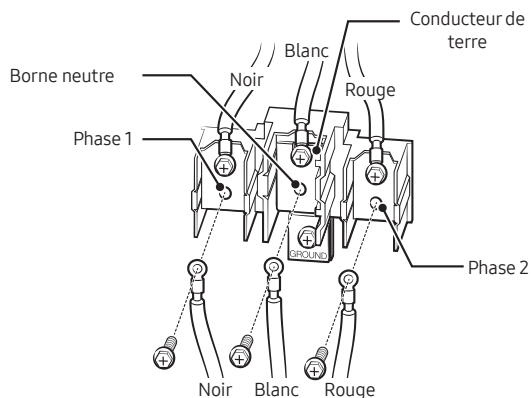
- **Vous devez installer le cordon d'alimentation avec une décharge de traction.**
- Fixez la décharge de traction à l'ouverture de 1 3/8 po dans la plaque de raccordement de conduit.

⚠ MISE EN GARDE

Vous devez vérifier la tension après avoir branché le cordon d'alimentation.

Phase 1 - Neutre	120 V
Phase 2 - Neutre	120 V
Phase 1 - Phase 2	208 V / 240 V

Installation d'un cordon d'alimentation à 3 fils

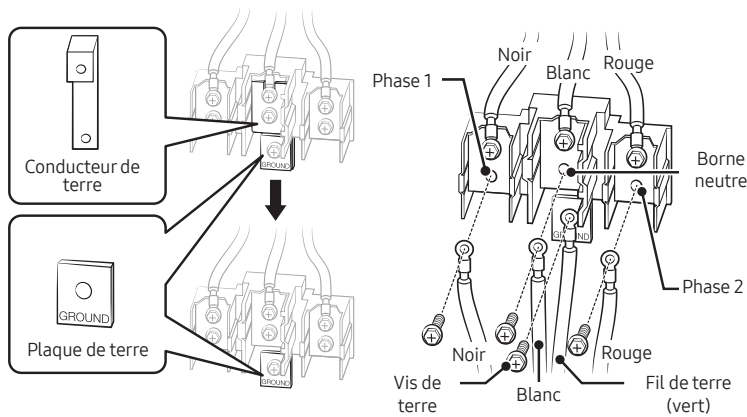


⚠ AVERTISSEMENT

Le fil neutre ou de terre du cordon d'alimentation doit être branché à la borne neutre située au centre du bornier. Les fils d'alimentation doivent être branchés aux bornes inférieure gauche et inférieure droite du bornier.

1. Retirez les 3 vis de la borne inférieure du bornier.
2. Insérez les trois vis de borne à travers chaque anneau de borne du cordon d'alimentation et dans les bornes inférieures du bornier. Assurez-vous que le fil central (blanc/neutre) est connecté à la position centrale inférieure du bornier.
3. Serrez fermement les vis sur le bornier. **NE retirez PAS le raccord du conducteur de terre.**
4. Passez à l'étape 5 de la page 6 pour poursuivre l'installation.

Installation d'un cordon d'alimentation à 4 fils

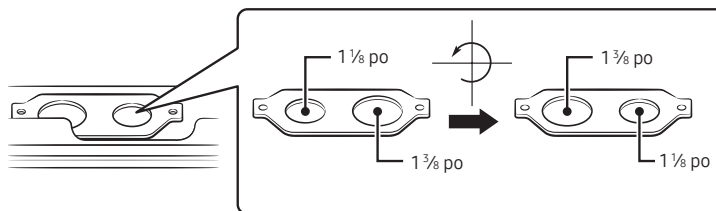


⚠ AVERTISSEMENT

Le fil neutre du circuit d'alimentation doit être branché à la borne neutre située dans le centre inférieur du bornier. Les fils d'alimentation doivent être branchés aux bornes inférieure gauche et inférieure droite du bornier. Le quatrième fil de mise à la terre doit être branché au cadre de la cuisinière à l'aide de la plaque de terre et de la vis de terre.

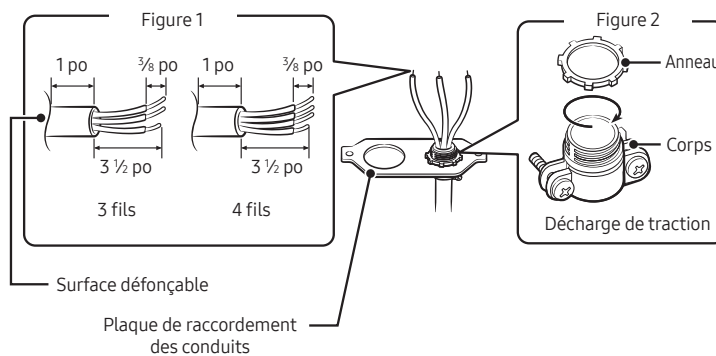
1. Retirez les 3 vis de la borne inférieure du bornier. Retirez la vis de terre et la plaque de mise à la terre et conservez-les.
2. **Coupez et jetez le conducteur de terre. Ne jetez aucune vis.**
3. Insérez la vis de terre dans l'anneau de la borne du fil de terre du cordon d'alimentation, à travers la plaque de terre et dans le cadre de la cuisinière.
4. Insérez les 3 vis de borne (retirées précédemment) dans chaque anneau de borne du cordon d'alimentation et dans les bornes inférieures du bornier. Assurez-vous que le fil central (blanc/neutre) est connecté à la position centrale inférieure du bornier. Serrez fermement les vis sur le bornier.
5. Passez à l'étape 5 de la page 6 pour poursuivre l'installation.

Étape 4. Installation du conduit



Retirez la plaque de raccordement des conduits et faites-la tourner comme illustré ci-dessous.

Il convient d'utiliser le trou de conduit (1 1/8 po).



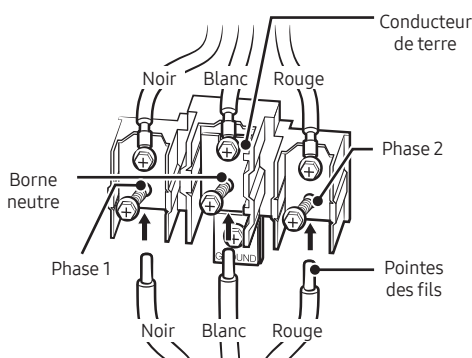
1. Préparez le cordon de conduit comme illustré à la figure 1.
2. Installez le cordon de conduit comme illustré à la figure 2. Pour ce qui est des installations de conduit, insérez la décharge de traction (non fournie) dans le trou de conduit (1 1/8 po). Enfilez ensuite le cordon de conduit dans le corps de la décharge de traction et fixez l'anneau. Réinstallez le support.

⚠ MISE EN GARDE

Vous devez vérifier la tension après avoir branché le cordon d'alimentation.

Phase 1 - Neutre	120 V
Phase 2 - Neutre	120 V
Phase 1 - Phase 2	208 V / 240 V

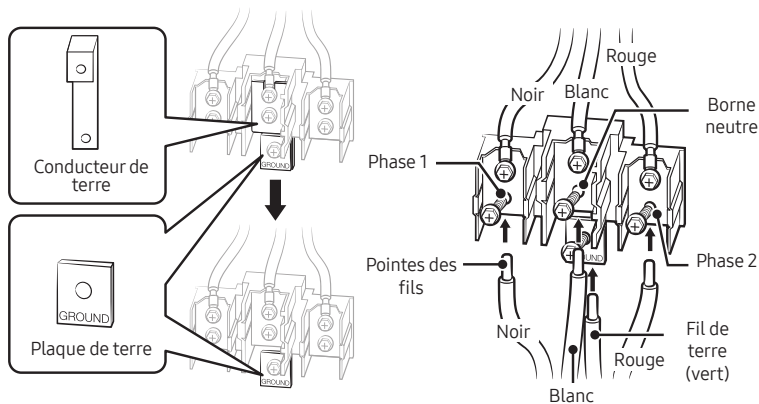
Installation d'un conduit à 3 fils



- Un fil de construction en aluminium peut être utilisé, toutefois celui-ci doit être calibré selon l'ampérage et la tension appropriés. Connectez les fils comme décrit ci-dessous.
- Le fil que vous utilisez, l'emplacement et le boîtier des épissures, etc., doivent être conformes aux bonnes pratiques de câblage et aux codes locaux.

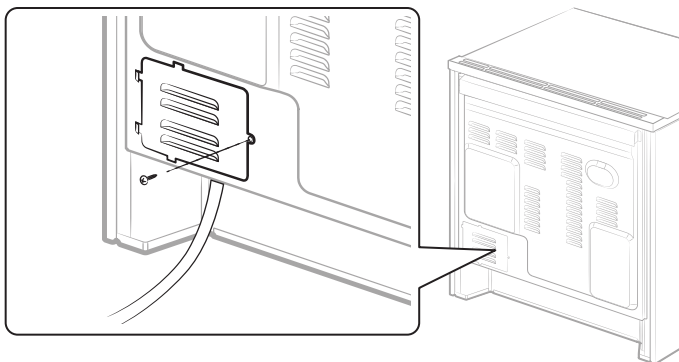
1. Desserrez les 3 vis de la borne inférieure du bornier.
2. Insérez la pointe du fil nu central (blanc/neutre) dans l'ouverture du bornier central inférieur. Sur certains modèles, le fil devra être inséré dans l'ouverture du conducteur de terre, puis dans l'ouverture du bornier central inférieur.
3. Insérez les deux pointes latérales du fil nu dans les ouvertures du bornier inférieur gauche et du bornier inférieur droit.
4. Serrez les vis jusqu'à ce que le fil soit fermement fixé (35 à 50 pouces-livres). Ne serrez pas trop les vis, car cela pourrait endommager les fils.
5. Passez à l'étape 5 de la page 6 pour poursuivre l'installation.

Installation d'un conduit à 4 fils



- Un fil de construction en aluminium peut être utilisé, toutefois celui-ci doit être calibré selon l'ampérage et la tension appropriés pour effectuer le branchement. Connectez les fils comme décrit ci-dessous.
 - Le fil que vous utilisez, l'emplacement et le boîtier des épissures, etc., doivent être conformes aux bonnes pratiques de câblage et aux codes locaux.
1. Desserrez les 3 vis de la borne inférieure du bornier. Retirez la vis de terre et la plaque de mise à la terre et conservez-les.
 2. **Coupez et jetez le conducteur de terre. Ne jetez aucune vis.**
 3. Insérez la pointe du fil nu de terre entre le cadre de la cuisinière et la plaque de terre (retirée précédemment) et fixez-la en place avec la vis de terre (retirée précédemment).
 4. Insérez la pointe du fil nu (blanc/neutre) dans l'ouverture du bornier central inférieur.
 5. Insérez les deux pointes latérales du fil nu dans les ouvertures du bornier inférieur gauche et du bornier inférieur droit.
 6. Serrez les vis jusqu'à ce que le fil soit fermement fixé (35 à 50 pouces-livres). Ne serrez pas trop les vis, car cela pourrait endommager les fils.
 7. Passez à l'étape 5 de la page 6 pour poursuivre l'installation.

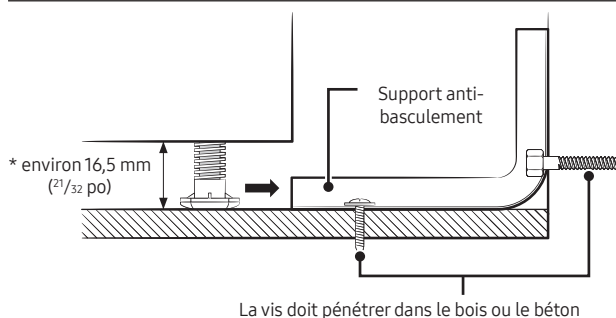
Étape 5. Remplacement du panneau d'accès



Pour remettre en place le panneau d'accès arrière derrière la cuisinière. Insérez les deux parties en saillie situées en bas du panneau dans les orifices situés sous l'ouverture, puis insérez et serrez la vis du panneau d'accès situé à l'arrière.

Installation de la cuisinière

Installation du dispositif anti-basculement



La vis doit pénétrer dans le bois ou le béton

⚠ AVERTISSEMENT

Pour réduire le risque de basculement, vous devez sécuriser l'appareil en installant correctement le dispositif anti-basculement fourni avec l'appareil.

- Reportez-vous aux instructions d'installation fournies avec le support.
- Si le dispositif anti-basculement n'est pas installé correctement, un adulte ou un enfant qui marche ou s'assoit sur la porte de la cuisinière risque de faire basculer l'appareil et d'être gravement blessé par le renversement de liquides chauds ou le basculement de la cuisinière elle-même.

📖 REMARQUE

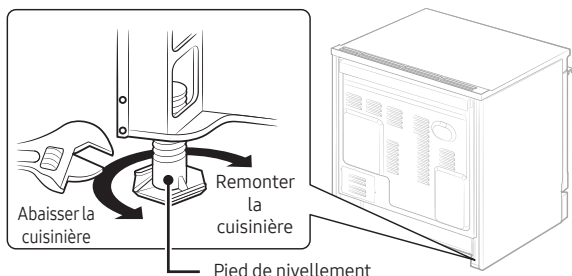
Desserrez le pied de mise à niveau pour installer le support anti-basculement. Un dégagement minimum de 16,5 mm ($2^{1/32}$ po) est nécessaire entre le fond de la cuisinière et le sol de la cuisine.

1. Installez le support à l'aide du gabarit

Le support anti-basculent s'accompagne d'un gabarit. Les instructions comprennent les informations nécessaires pour terminer l'installation. Lisez et suivez les instructions de la feuille (gabarit) pour l'installation de la cuisinière.

2. Mettre à niveau la cuisinière

Mettez la cuisinière à niveau en réglant les pieds à l'aide d'une clé.



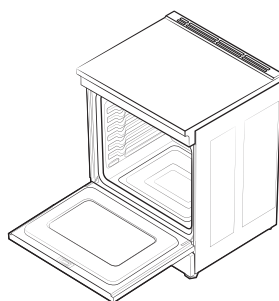
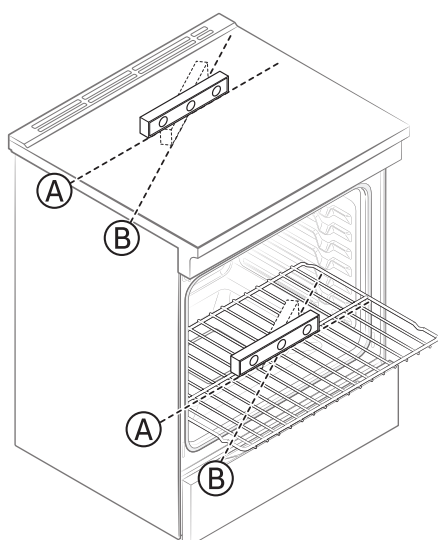
3. Vérifiez vos réglages

Utilisez un niveau à bulle pour vérifier vos réglages. Placez le niveau en diagonale sur la grille du four ou sur la plaque de cuisson et vérifiez que la cuisinière est de niveau dans les deux directions indiquées ci-dessous.

A. Vérifiez le sens A.

B. Vérifiez le sens B.

Si le niveau à bulle indique que la cuisinière n'est pas de niveau, ajustez les pieds de mise à niveau à l'aide d'une clé.

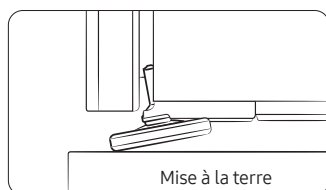


REMARQUE

1. Vérifiez que l'appareil est installé de niveau et que la porte s'ouvre sans problème.
2. Si la porte ne s'ouvre pas complètement, réglez le niveau de la cuisinière en ajustant les pieds de mise à niveau arrière.

※ Modèle appliqué : NSI6DG99*, NSI6DB99*

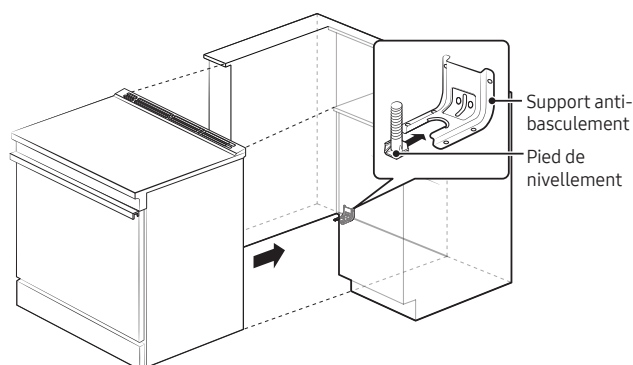
※ Relevez la hauteur de l'arrière de cuisinière.



MISE EN GARDE

Pour votre sécurité, n'essayez pas de modifier ou de redresser les pieds avant. Les pieds de nivellement avant de la cuisinière sont conçus pour être inclinés afin d'éviter le basculement accidentel de l'appareil.

Finalisation de l'installation



- Approchez la cuisinière suffisamment près de l'ouverture pour la brancher dans la prise.
- Faites glisser la cuisinière pour la positionner en veillant à faire glisser le pied arrière gauche (ou arrière droit) sous le support anti-basculent.
- Inclinez avec précaution la cuisinière vers l'avant afin de vous assurer que le support anti-basculent s'emboîte dans la fixation arrière et que la cuisinière ne bascule pas.
- Allumez l'alimentation électrique. Vérifiez le bon fonctionnement de la cuisinière comme décrit dans le manuel d'utilisation.