

Induction Range, 36", 5 Zones with SmartZone, Self-cleaning

Series 9 | Contemporary

Stainless Steel



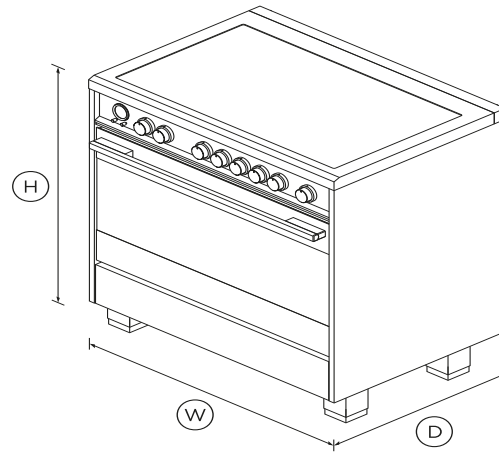
With large oven and cooktops that can be paired to create an expansive cook zone, this is a range made for those who love to cook.

- Five induction cooking zones, which can be joined to form SmartZones
- Convection oven with 4.9 cu.ft total capacity, nine oven functions including Roast, Aero Pastry™ with pizza mode and rapid proof for baking bread
- Non-tip full-extension shelves for safe removal of hot dishes

- High-temperature self-cleaning function breaks down food residue for an easy clean

DIMENSIONS

Height	35 3/4 - 37 1/4"
Width	35 7/8"
Depth	25 1/4"



FEATURES & BENEFITS

MULTI-SHELF COOKING

Our AeroTech™ system circulates air evenly throughout the entire oven so dishes on the top shelf turn out just as perfect as food cooking on the bottom shelf.

QUALITY AND DURABILITY

Every detail has been carefully crafted. The solid, perfectly

balanced soft-close door, durable cooktop and glowing halo dials all add up to an exceptional, premium range.

POWER & CONTROL

Instant and immediate control from the highest to the gentlest heat. The finely tuned cooktop controls let you sear, stir fry or simmer a delicate sauce to perfection.

EASY TO CLEAN

Cleaning up spills is effortless. Your cooktop simply needs a quick wipe to keep it looking good as new. The self-clean function breaks down food residue at a very high temperature, leaving a light ash that's easily removed with a damp cloth.

EVEN HEAT

Accurate, electronically-controlled oven heat ensures a great result every time.

LARGE CAPACITY OVEN

The generous 4.9 cu.ft total capacity oven gives you plenty of space to cook multiple dishes at once, with enough room to fit a 32 lb turkey.

SPECIFICATIONS

Accessories

2-pc grill system (Broil pan and	•
Broil pan	•
Broil rack	•
Full extension telescopic	2 sets (part 578744)

Accessories (sold separately)

Kick strip, stainless steel	KICKOR36X1
-----------------------------	------------

Capacity

Shelf positions	7
Total capacity	4.9cu ft

<p>Usable capacity 4.3cu ft</p> <hr/> <p>Cleaning</p> <ul style="list-style-type: none"> Acid resistant graphite enamel • Drop down broil element • Drop down grill element • Flat easy clean glass surface • Pyrolytic proof shelf runners • Pyrolytic self-clean • Removable oven door • Removable shelf runners • <hr/> <p>Controls</p> <ul style="list-style-type: none"> Audio feedback • Automatic cooking/minute • Automatic pre-set • Celsius/Fahrenheit • Electronic capacitive touch • Electronic clock • High resolution display • Laser etched graphics • Precise electronic temperature • Sabbath mode • Toughened fused glass • Turned stainless steel clock • Turned stainless steel clock • Turned stainless steel dials • <hr/> <p>Oven features</p>	<ul style="list-style-type: none"> AeroTech™ technology • Automatic rapid pre-heat • Concealed element • Electronic oven control • Full extension telescopic • Internal light 4 x 25W halogen (2 side & 2 Soft open/close door • True convection • Turned stainless steel clock • Twin cavity fans • Warming drawer • <hr/> <p>Oven functions</p> <ul style="list-style-type: none"> Aero Bake • Aero Broil • Aero™ Pastry with Pizza mode • Bake • Broil • Number of functions 9 Rapid proof • Roast • Self-clean function • True Aero • True convection • <hr/> <p>Oven performance</p> <ul style="list-style-type: none"> Broil power 4300W CoolTouch door Quadruple glazed Warming drawer power 220W 	<p>Power requirements</p> <ul style="list-style-type: none"> Amperage 65A Supply frequency 60Hz <hr/> <p>Product dimensions</p> <ul style="list-style-type: none"> Depth 25 1/4" Height 35 3/4 - 37 1/4" Width 35 7/8" <hr/> <p>Rangetop features</p> <ul style="list-style-type: none"> Auto heat reduce • Dual zones • Gentle heat • Heat settings 9 Induction cooking technology • SmartZone • Zone bridging • <hr/> <p>Rangetop Performance</p> <ul style="list-style-type: none"> Centre 5500W Left front 3700W Left rear 3700W Number of cooking zones 5 PowerBoost • <hr/> <p>Safety</p> <ul style="list-style-type: none"> ADA compliant • Advanced cooling system • Anti-tilt bracket • Balanced oven door •
---	--	---

- Catalytic venting system •
- Child lock •
- Full extension telescopic **2 sets (part 578744)**
- Full extension telescopic •
- Non-tip shelves •
- Pan detection system •
- Safety time out •
- Spill containment **3/8 gallon**
- Spillage auto off •
- Surface hot indicators •

SKU 81710

Other product downloads available at fisherpaykel.com

- [!\[\]\(511a36c244659513b679df9c639945de_img.jpg\) User Guide Freestanding Range](#)
- [!\[\]\(2c0783baf87a2728b2fe49eb1c34c456_img.jpg\) Service & Warranty](#)
- [!\[\]\(7cfb20e3a97beaa6243bf39ce8dc849f_img.jpg\) Installation Guide / Guide d'installation](#)



A PEACE OF MIND SALE

24 Hours 7 Days a Week Customer Support

T 1.888.936.7872 W www.fisherpaykel.com

The product dimensions and specifications in this page apply to the specific product and model. Under our policy of continuous improvement, these dimensions and specifications may change at any time. You should therefore check with Fisher & Paykel's Customer Care Centre to ensure this page correctly describes the model currently available. ? Fisher & Paykel Appliances Ltd 2020