

PD968DP

GE Profile™ Series 30" Drop-In Electric Range

Dimensions and Installation Information (in inches)

KW Rating	
240V	11.6
208V	8.7
Breaker Size	
240V	40 Amps
208V	40 Amps

Note: Cabinets installed adjacent to slide-in ranges must have an adhesion spec of at least 194° temperature rating.

Note: To reduce possibility of scorching the side walls above the countertop when no load is present on burners, it is recommended that a minimum of 6" spacing from adjacent side wall be allowed for possible extended, high-heat, element operation.

IMPORTANT: 30" DROP-IN RANGES ARE DESIGNED TO HANG FROM THE COUNTERTOP. IT DOES NOT REST ON THE FLOOR. FOR INSTALLATION ALTERNATIVES, REFER TO INSTALLATION INSTRUCTIONS PACKED WITH PRODUCT.

Optional Kits For Drop-In Electric Ranges (Available At Additional Cost)

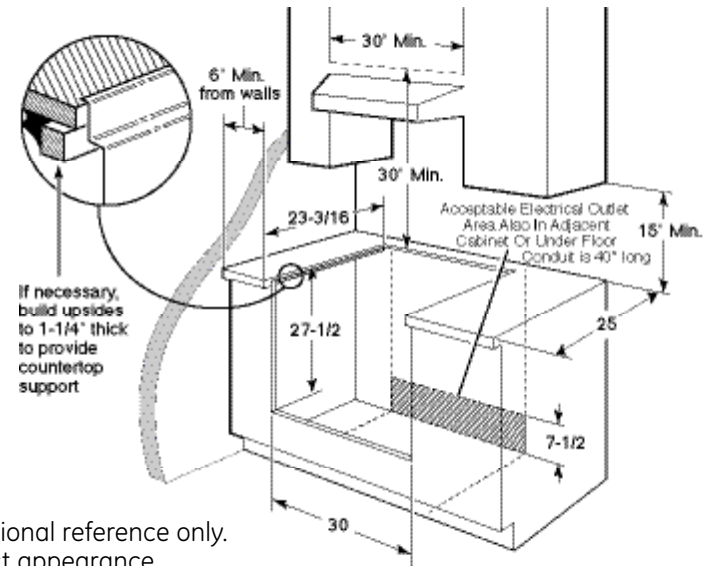
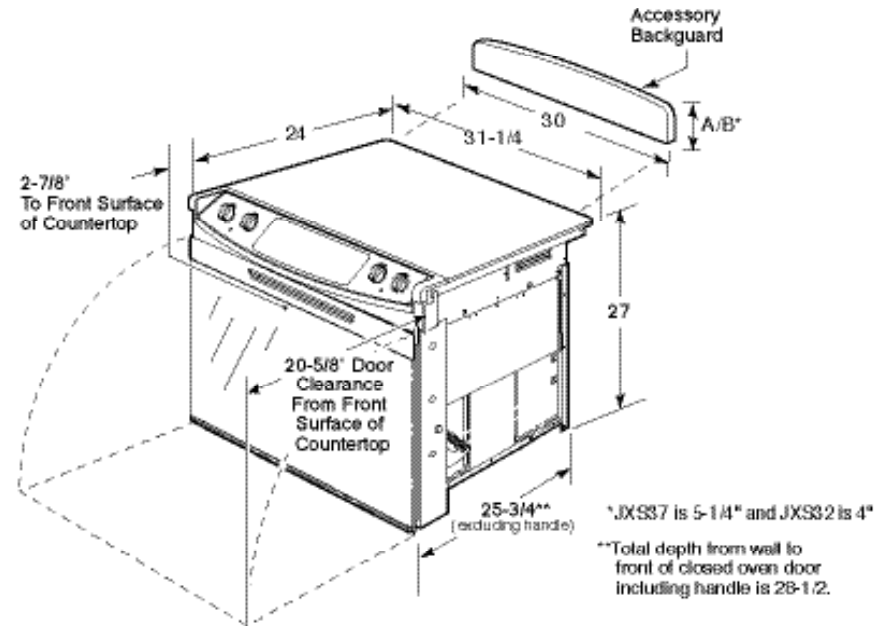
Accessory Backguards

(Attaches to the back of range as a backguard when unit is installed in 30" free-standing cutout)
 JXS32SS (Stainless) - 4" High
 JXS32BB (Black) - 4" High

Rear Filler Strip

WB07T10680 - Black Filler Strip Assembly

Installation information: Before installing, consult installation instructions packed with product for current dimensional data.



Above illustration intended for dimensional reference only. Refer to photograph for actual product appearance.



imagination at work

For answers to your Monogram® or GE® appliance questions, visit our website at geappliances.com or call GE Answer Center® service, 800.626.2000.



All GE ranges are equipped with an Anti-Tip device. The installation of this device is an important, required step in the installation of the range.



Listed by Underwriters Laboratories



Specification Revised 4/13

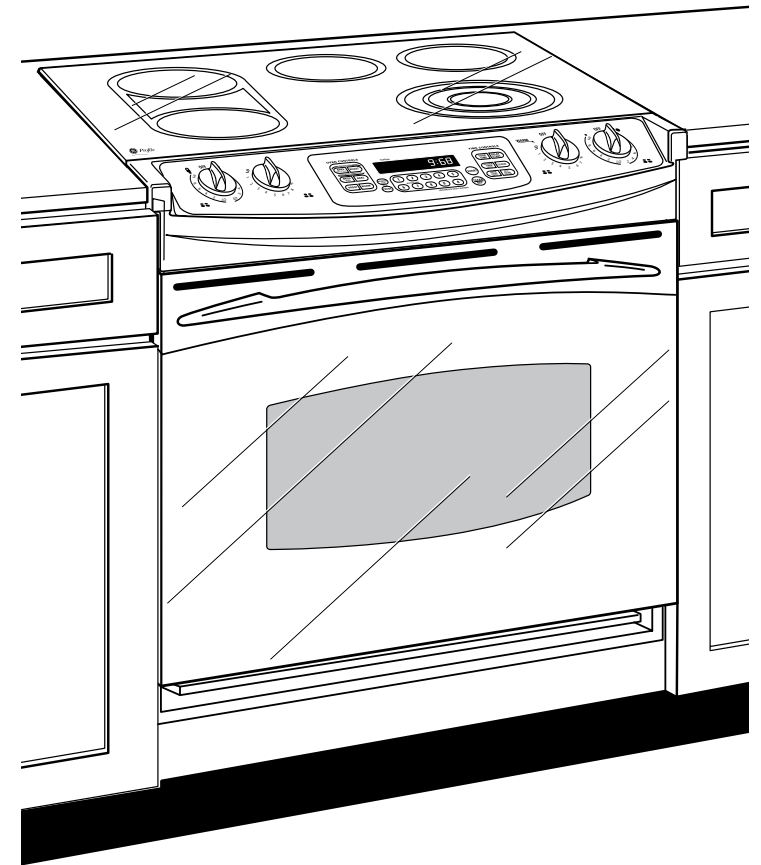
220805

PD968DP

GE Profile™ Series 30" Drop-In Electric Range

Features and Benefits

- True European Convection with Precise Air - A reversing fan circulates heat and air for evenly browned and baked foods
- Convection Bake (Multi-Mode) - Offers three specialized modes for different cooking needs: single-rack convection baking, multi-rack convection baking and convection roasting
- Convection Roast - Optimal for larger cuts of meat, this setting rotates the heat around all sides, producing rotisserie results at 25% faster than a conventional oven
- Self-clean Oven - Self-clean allows you to spare yourself from the trouble and effort it takes to scrub the oven interior. The oven does all the work!
- 6"/9"/12" Tri-ring Element - Choose a 6"/9"/12" heating element to accommodate the size of your pan
- Bridge Element - Combines three cooktop elements into one large cooking area, ideal for griddles and gourmet pans
- Glass Touch Controls - Smooth controls are easy to use and add a sophisticated style to the kitchen
- Warming Zone (Fifth element warming zone) - Simplify meals by keeping foods fresh from the oven warm and ready to serve
- True Temp Oven System - This feature helps ensure the temperature you set is the temperature you get to give you the baking and broiling performance you desire
- 4.1 cu. ft. Oven Capacity - Enough room to cook an entire meal at once
- Model PD968DPBB - Black on black (black door and black patterned cooktop)



imagination at work