

PGS908SEP

GE Profile™ Series 30" Slide-In Gas Range

Dimensions and Installation Information (in inches)

Rear filler strip or backguard are available for these ranges

Note: Door handle protrudes 3" from door face. Cabinets and drawers on adjacent 45° and 90° walls should be placed to avoid interference with the handle.

Note: Cabinets installed adjacent to slide-in ranges must have an adhesion spec of at least 194° temperature rating.

Optional Kits for Slide-In Gas Ranges:

(Available at additional cost)

Lower/Side Trim Kits

JXS56BB - Lower Trim Kit (Black)

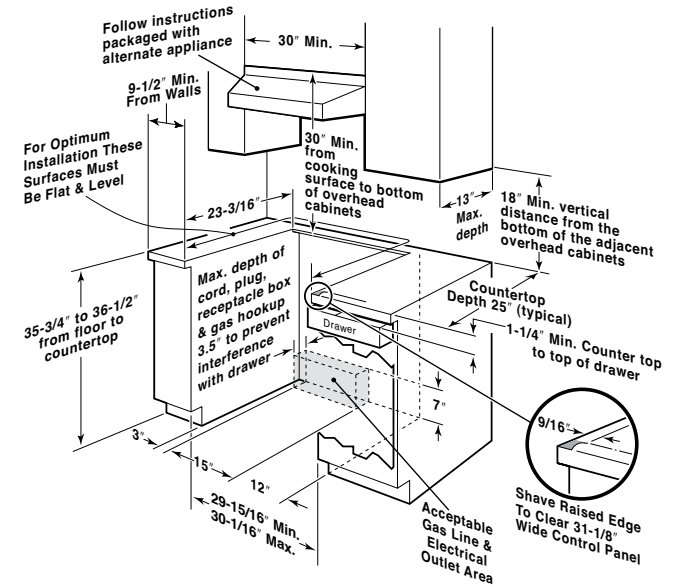
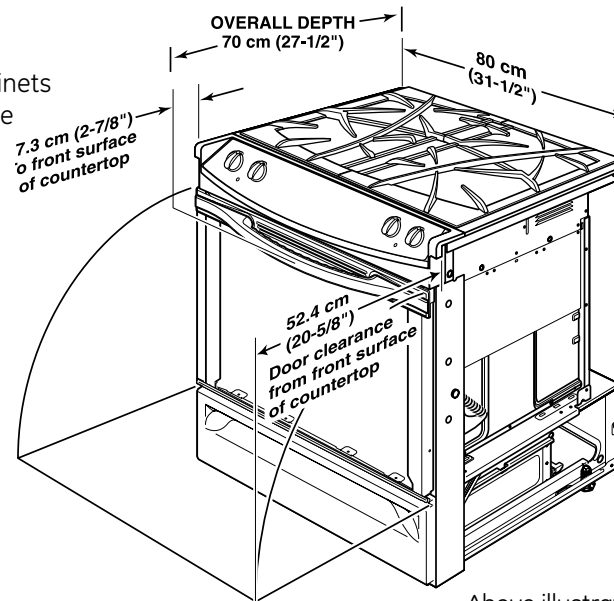
Accessory Backguards

JXS32SS - Brushed-Chrome Accessory Backguard

Rear Filler Strip

WB07T10680 - Black Filler Strip Assembly

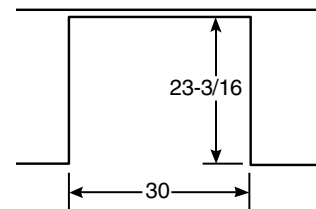
Installation Information: Before installing, consult installation instructions packed with product for current dimensional data.



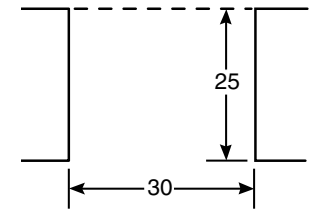
Above illustration intended for dimensional reference only. Refer to photograph for actual product appearance.

Counter Cutout Dimensions (in inches)

If you are NOT using the Filler strip or Backguard:



If you are using the Filler strip or Backguard:



For answers to your Monogram® or GE® appliance questions, visit our website at geappliances.com or call GE Answer Center® service, 800.626.2000.



All GE ranges are equipped with an Anti-Tip device. The installation of this device is an important, required step in the installation of the range.



PGS908SEP

GE Profile™ Series 30" Slide-In Gas Range

Features and Benefits

- Deep-recessed Cooktop - Deep recessed cooktop keeps spills, and everything else, contained in one area that's easy to wipe clean
- Self-clean Oven - Self-clean allows you to spare yourself from the trouble and effort it takes to scrub the oven interior. The oven does all the work!
- Heavy-duty Knobs - Heavy-duty knobs offer durability and elegance
- Power Boil Burner - Delivers 15,000 BTUs of forceful heat for rapid boiling
- Precise Simmer Burner - Simmer burners allows for low, even heat distribution that is ideal delicate foods and sauces
- 4.1 cu. ft. Oven Capacity - Enough room to cook an entire meal at once
- Continuous Grates - Connected cooktop grates provide a sturdy, uninterrupted surface that allows pots and pans to move easily
- Dishwasher-safe Grates - Grates are safe for the dishwasher so cleaning is as easy as ever
- True Temp Oven System - This feature helps ensure the temperature you set is the temperature you get to give you the baking and broiling performance you desire
- Model PGS908SEPSS - Stainless steel



imagination at work