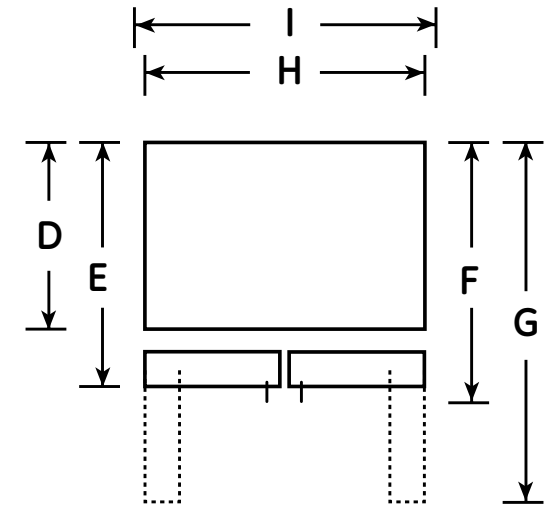
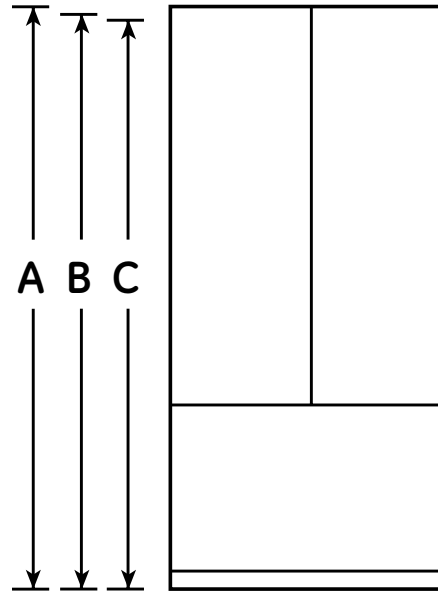


PNS20KSE

GE Profile™ Series 19.5 Cu. Ft. French-Door Refrigerator

Dimensions and Installation Information (in inches)

Overall Dimensions	Height to top of door (in.) A	66-7/8
	Height to top of hinge (in.) B	66-5/8
	Height to top of case (in.) C	66-1/8
	Case depth without door (in.) D	28-3/4
	Case depth less door handle (in.) E	32-1/2
	Case depth with door handle (in.) F	35-1/4
	Depth with fresh food door open 90° (in.) G	44-3/4
	Width (in.) H	29-3/4
Air Clearances	Width with door open 90° inc. door handle (in.) I	36-3/4
	Each side (in.)	1/8
	Top (in.)	1
	Back (in.)	2



Note: All Right-Hand Refrigerator Doors: As you face the front of the refrigerator, the handle is on your left and the hinges are on your right.

Note: All Left-Hand Refrigerator Doors: As you face the front of the refrigerator, the handle is on your right and the hinges are on your left.



For answers to your Monogram®, Profile™ Series or GE® appliance questions, visit our website at geappliances.com or call GE Answer Center® service, 800.626.2000.

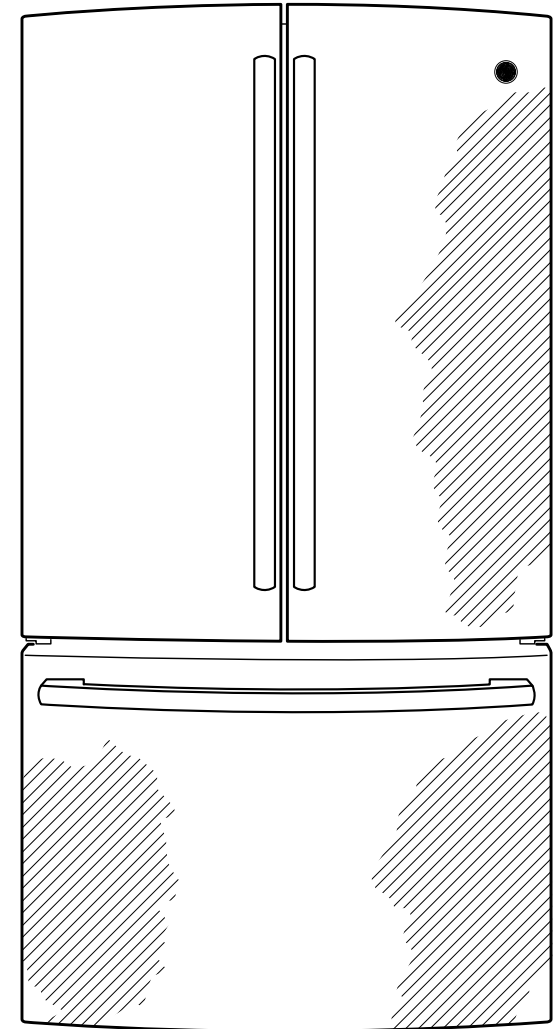


PNS20KSE

GE Profile™ Series 19.5 Cu. Ft. French-Door Refrigerator

Features and Benefits

- 30" wide
- Factory-installed icemaker with water filtration system - Refrigerator comes ready to automatically create filtered ice
- Upfront temperature controls with actual temperature display - Easy-to-reach controls display accurate temperatures
- Multi-level freezer baskets - Keep frozen foods organized and easy to find
- Adjustable humidity drawers - Keep fruits and vegetables fresh
- GE water filtration uses MWF replacement filter
- Model PNS20KSESS - Stainless steel



imagination at work