



TRATTORIA — PIZZA OVEN —



PS96PZRSS
GE Profile™ 30" Electric Pizza Oven



Specification Revised 2/22

Pizza Oven Features

Pizza Oven

Use your oven not only for traditional baking, but also for making restaurant-quality pizza, thanks to expertly engineered features that combine to give you the right amount of heat in all the right places.

Precision Surface Sensor

Mounted directly beneath the cooking surface, this sensor detects the oven temperature and notifies you when it's the right time to start cooking your first pizza or put in another.

Features and Benefits

No Preheat Air Fry

Cook healthier, crispier versions of your favorite foods in less time, thanks to an air fryer right in your oven that doesn't require preheating, a basket or a special tray

Built-In WiFi, Powered by SmartHQ App

Manage all aspects of your kitchen with the help of the SmartHQ™ App or your voice assistant

Better When Connected

Ensure your oven always has the latest features, like new Air Fry modes, with downloadable software upgrades.

Broil Amplifier

Located between the heater and the top of the oven, the reflective aluminum shield redirects heat downward to perfectly brown your pizza crust and toppings.

Built-In Rapid Crisping Plate

The cooking surface is a quarter-inch thick plate made of durable aluminum alloy that delivers rapid heat conduction and precise temperature control, so you can cook various styles and sizes of pizza to your ideal doneness.

Edge-to-Edge Cooktop

Continuous, edge-to-edge cooktop give you a large cooking space and can handle any cookware.

12"/9"/6" Power Boil Element

A power boiler produces concentrated heat for rapid boiling in a flexible 12-inch/9-inch/6-inch burner size, so you spend less time waiting and more time cooking.

True Convection with Precise Air

This oven features True Convection, an advanced convection system that uses a third heating element and reversing fan for the highest level of heat and air circulation.

Sabbath Mode

Visit geappliances.com/profile-innovation/trattoria for more info



Finishes

PS96PZRSS

GE Profile™ 30" Electric Pizza Oven

Receptacle Locations

Locally approved flexible service cord or conduit must be used because terminals are not accessible after range installation. See shaded area in drawing for location of electrical outlet box. Recommended outlet locations allow range to be installed directly against rear wall.

Installation Information

Before installing, consult installation instructions for current dimensional data and additional requirements

Note

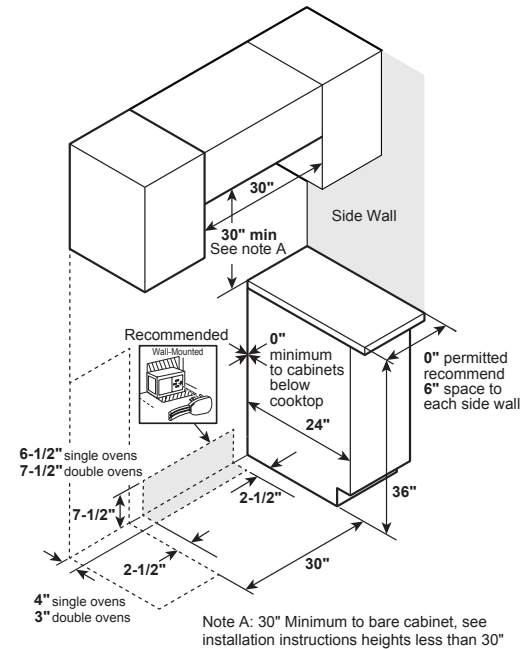
This appliance has been approved for 0" spacing to adjacent surfaces above the cooktop. However, a 6" minimum spacing to surfaces less than 15" above the cooktop and adjacent cabinet is recommended to reduce exposure to steam, grease splatter and heat.

For answers to your Monogram, GE Café™, GE Profile™ or GE Appliances product questions, visit our website at geappliances.com or call GE Answer Center® Service, 800.626.2000.

Specification Revised 2/22

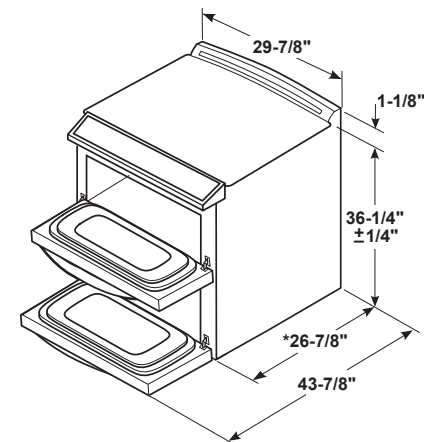
Dimensions and Installation Information (in inches)

Electrical Outlet Locations



KW Rating	
240V	13.6
Breaker Size	
240V	40 Amps*

*Check local codes for required breaker size



*Depth including door handle is approximately 29-1/2".



All GE Appliances ranges are equipped with an Anti-Tip device. The installation of this device is an important, required step in the installation of the range.

