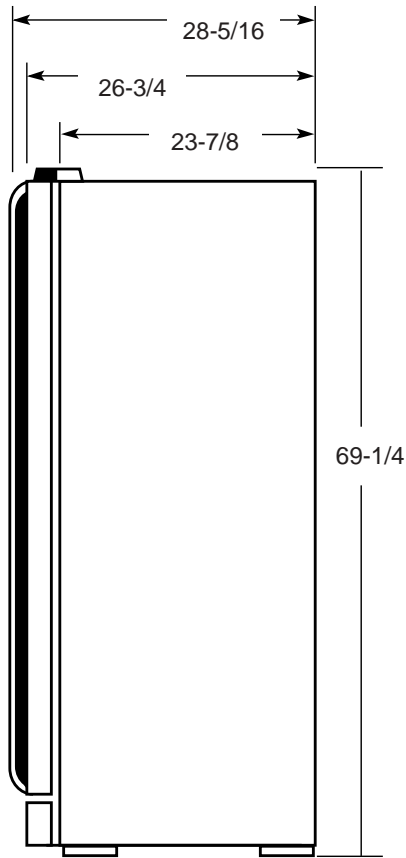




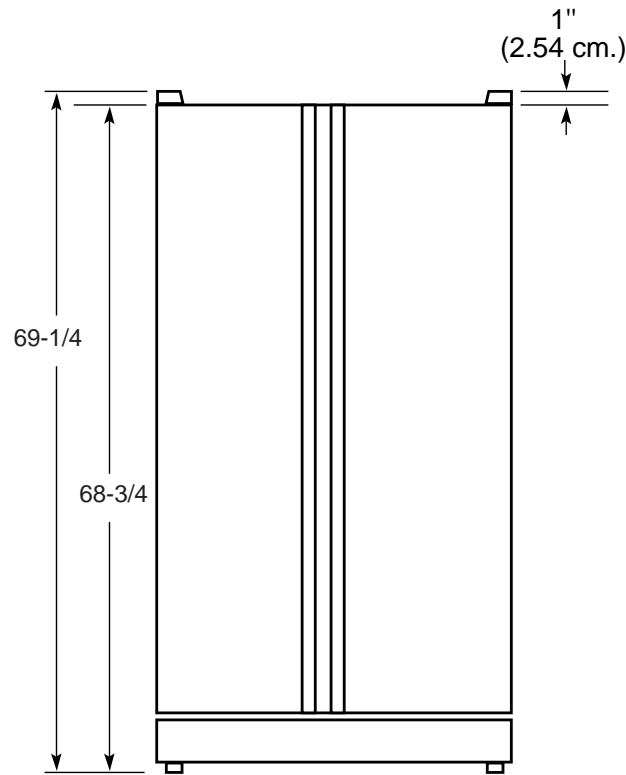
Profile™

PSC23NGP – GE Profile Arctica™ 22.6 Cu. Ft. CustomStyle™ Side-by-Side Refrigerator with Dispenser

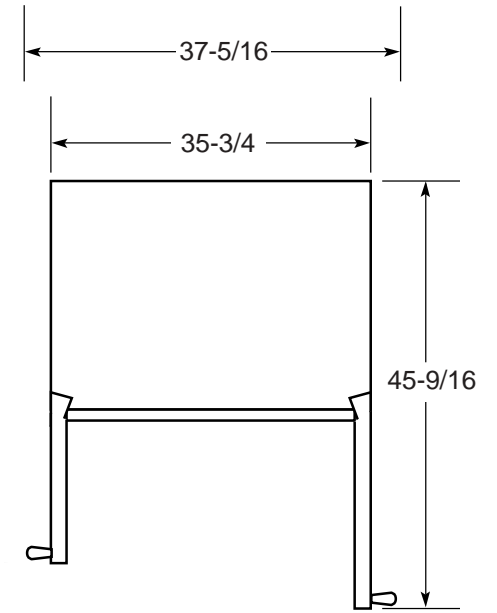
Case Dimensions (in inches/cm.)



Side View



Front View



Top View

Specification Created 2/03



Total volume and shelf area are calculated by the Association of Home Appliance Manufacturers' standards.



Listed by Underwriters Laboratories



For answers to your Monogram®, GE Profile™ or GE appliance questions, visit our website at GEAppliances.com or call GE Answer Center® service, 800.626.2000.



Profile™

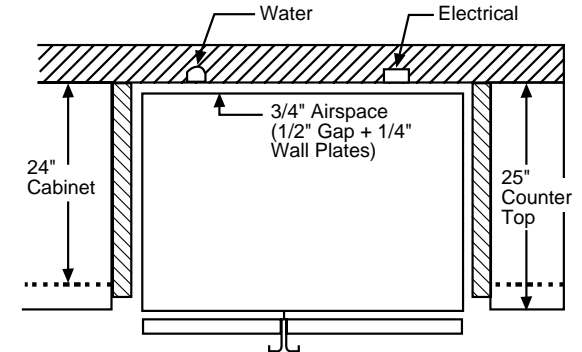
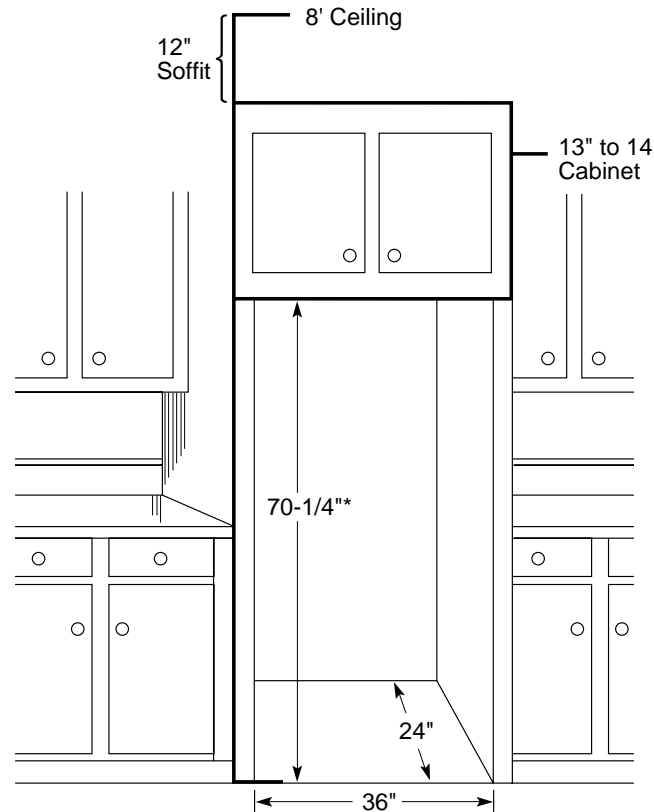
PSC23NGP – GE Profile Arctica™ 22.6 Cu. Ft. CustomStyle™ Side-by-Side Refrigerator with Dispenser

Rough-In Dimensions

Standard, New Construction and Replacement Installation

Installation Tips to Maximize the Built-In Look

- All wall/floor molding should be removed prior to installation.
- Water recess on rear wall recommended to prevent water line damage. 48" minimum length, 1/4" diameter water line tubing recommended.
- When possible, recess both copper water line and electrical outlet. (See local codes)
- Front and rear leveling legs are adjustable for the built-in look. (See owner's manual)
- If optional collar trim kit is to be used or anticipated, see collar trim installation on next page for different rough-in dimensions.



*The rough-in dimension of 70-1/4" is minimum and is measured from the finished floor to top of opening (or the underside of the overhead cabinets). For Models with Trim Kit: If frameless style cabinets are planned for above the refrigerator, you may need to consider adding a maximum of 1/4" (70-1/2") to height of opening to allow additional clearance between cabinet doors and top of refrigerator trim when cabinet doors are in open position.

Specification Created 2/03



Total volume and shelf area are calculated by the Association of Home Appliance Manufacturers' standards.



Listed by Underwriters Laboratories

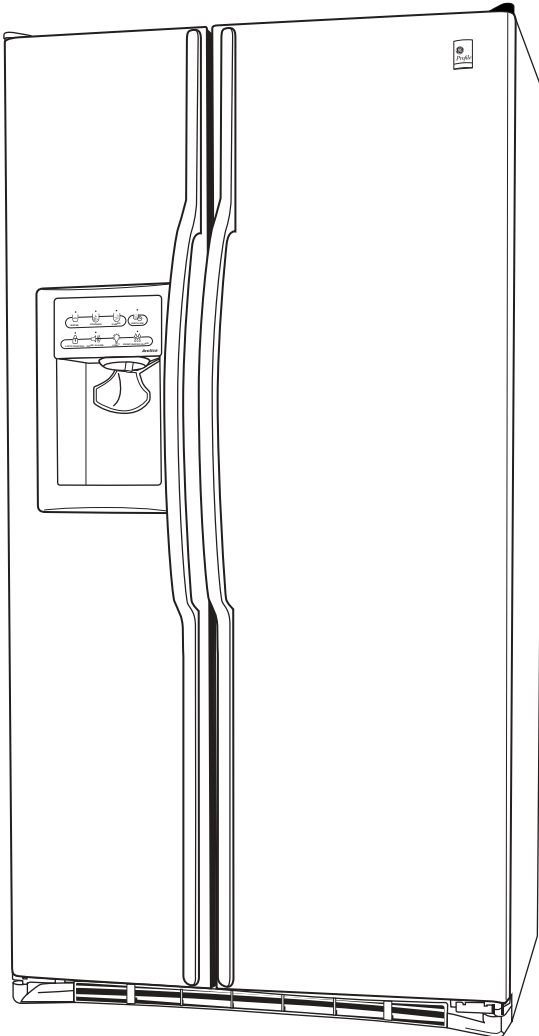


For answers to your Monogram®, GE Profile™ or GE appliance questions, visit our website at GEAppliances.com or call GE Answer Center® service, 800.626.2000.



Profile™

PSC23NGP – GE Profile Arctica™ 22.6 Cu. Ft. CustomStyle™ Side-by-Side Refrigerator with Dispenser



Features and Benefits

- CustomStyle™ Configuration – CustomStyle™ design – offers a built-in look without the built-in expense.
- CustomCool™ Technology with Full Extension Slides – Chills in minutes, thaws in hours and keeps foods fresher, longer.
- ClimateKeeper™ Temperature Management System – Best temperature management system you can buy!
- Integrated Ice™ System – Frees up valuable freezer space. It tilts down, providing easy access to bulk ice.
- In-the-Door Beverage Rack – Conveniently located to increase flexibility and free up valuable shelf space.
- Tall LightTouch! Dispenser – Provides chilled water, cubed ice or crushed ice at the slightest touch.
- Model PSC23NGPWW – White on white
- Model PSC23NGPCC – Bisque on bisque
- Model PSC23NGPBB – Black on black