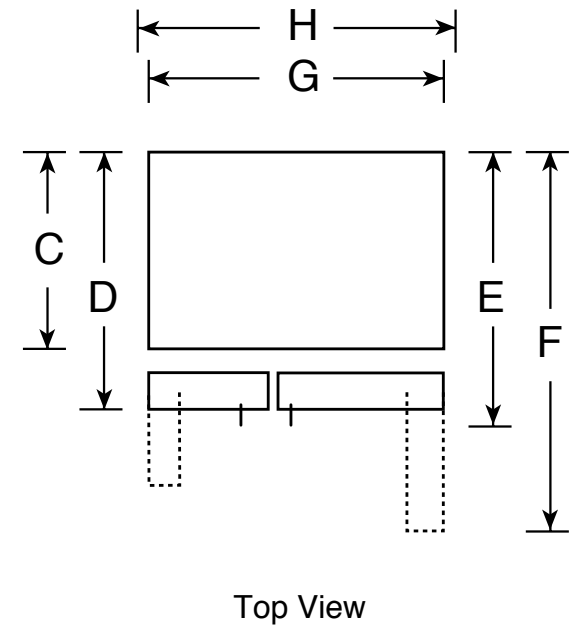
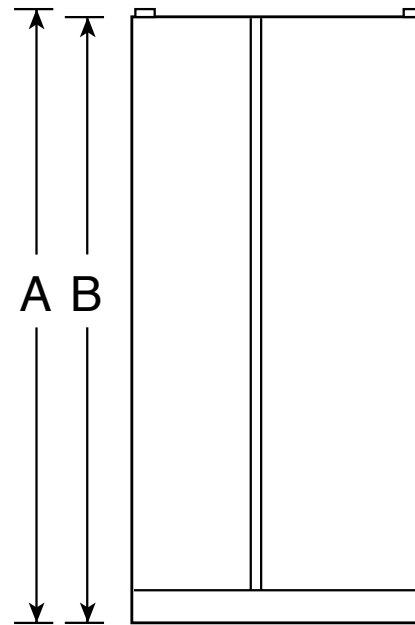


# PSH23PSS

## GE Profile CustomStyle™ ENERGY STAR® 22.6 Cu. Ft. Stainless Side-By-Side Refrigerator

### Dimensions and Installation Information (in inches)

Overall Dimensions	Height to top of hinge (in.) <b>A</b>	<b>69-1/4</b>
	Height to top of case (in.) <b>B</b>	<b>68-3/4</b>
	Case depth without door (in.) <b>C†</b>	<b>23-7/8</b>
	Case depth less door handle (in.) <b>D†</b>	<b>26-3/4</b>
	Case depth with door handle (in.) <b>E†</b>	<b>29-3/16</b>
	Depth with fresh food door open 90° (in.) <b>F†</b>	<b>45-9/16</b>
	Width (in.) <b>G</b>	<b>35-3/4</b>
Air Clearances	Width with door open 90° inc. door handle (in.) <b>H</b>	<b>41-5/16</b>
	Each side (in.)	<b>1/8</b>
	Top (in.)	<b>1</b>
	Back (in.)	<b>1/2</b>



†Water hook-up fits in back air clearance when calculating installation depth.

If installed against a wall, allow clearance of 14-3/16" on freezer side to remove bin. To remove fresh food pans, remove door bins.

Clearance required to remove fresh food full-size pan without disassembling is 18-15/16".

Allow additional space for any necessary leveling adjustments.

For answers to your Monogram®, GE Profile™ or GE® appliance questions, visit our website at [ge.com](http://ge.com) or call GE Answer Center® service, 800.626.2000.



imagination at work



Listed by  
Underwriters  
Laboratories



As an ENERGY STAR® partner, GE has determined that this product meets the ENERGY STAR guidelines for energy efficiency.

# PSH23PSS

## GE Profile CustomStyle™ ENERGY STAR® 22.6 Cu. Ft. Stainless Side-By-Side Refrigerator

### Rough-In Dimensions and Installation Information (in inches)

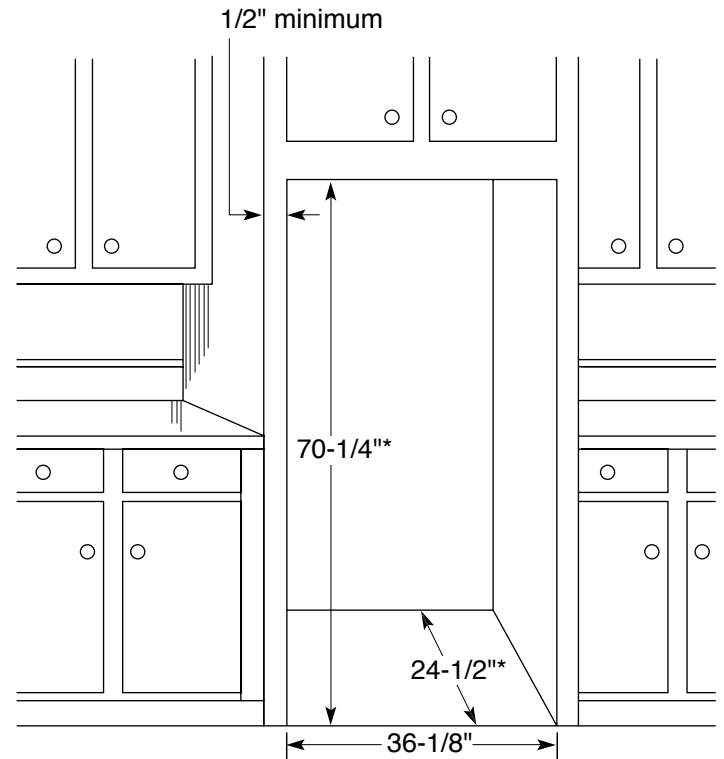
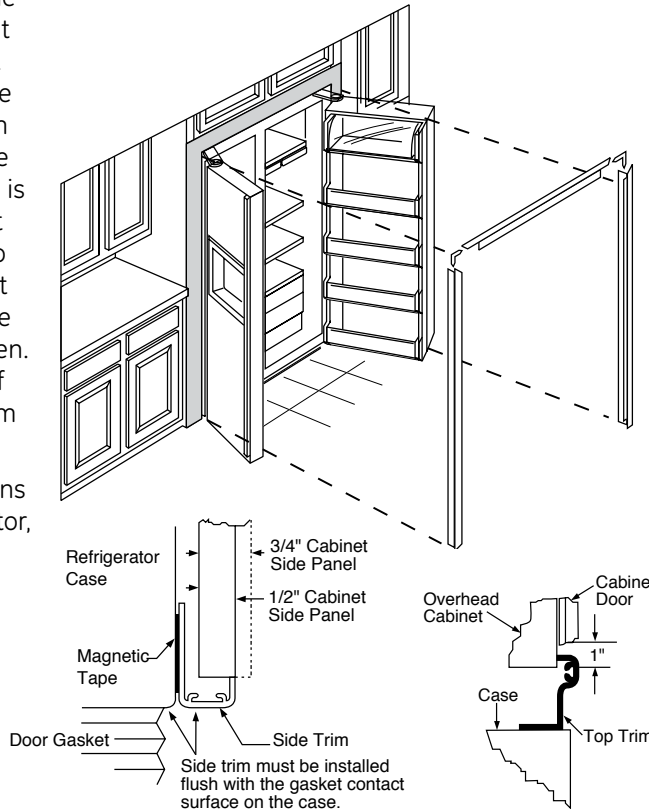
#### Collar Trim Installation

An enclosure is required to match up to the trim, see Typical Installation. To obtain the most integrated look, the cabinet or soffit above the refrigerator should extend out to the same depth as the side panels. The refrigerator opening must have minimum dimensions of 70-1/4" high x 36-1/8" wide x 24-1/2" deep as shown at right. If there is an overhead cabinet, allow 1" for cabinet door clearance with the top trim piece so the cabinet doors can be opened without hitting the top trim. If 1/2" side panels are used, then side trim and panel will be even. If 3/4" side panels are used, then some of the side panel will extend beyond the trim and must be finished.

**IMPORTANT:** Before finalizing specifications for your GE Profile CustomStyle Refrigerator, please NOTE:

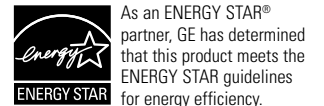
- A minimum of 36-1/8" is required for refrigerator installation with collar
- Be sure to allow for 1/2" or 3/4" side panels in addition to the 36-1/8" minimum.

**Typical Installation**  
Shaded areas represent front surfaces of side panels and overhead cabinet or soffit that contacts trim.



\*The rough-in dimension of 70-1/4" is minimum and is measured from the finished floor to top of opening (or the underside of the overhead cabinets). For Models with Trim Kit: If frameless style cabinets are planned for above the refrigerator, you may need to consider adding a maximum of 1/4" (70-1/2") to height of opening to allow additional clearance between cabinet doors and top of refrigerator trim when cabinet doors are in open position.

For answers to your Monogram®, GE Profile™ or GE® appliance questions, visit our website at [ge.com](http://ge.com) or call GE Answer Center® service, 800.626.2000.

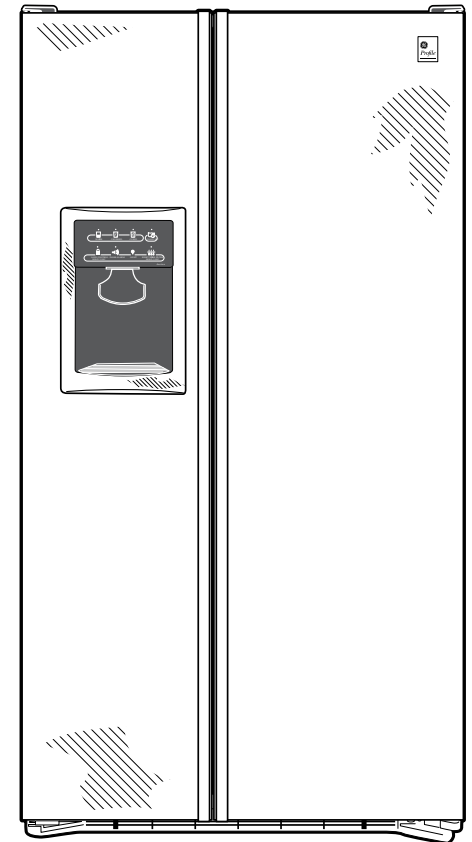


# PSH23PSS

## GE Profile CustomStyle™ ENERGY STAR® 22.6 Cu. Ft. Stainless Side-By-Side Refrigerator

### Features and Benefits

- CustomStyle™ configuration - Offers a built-in look without the built-in expense
- Stainless Steel - Convey a look of utmost polish and sophistication
- ClimateKeeper2™ System - Keeps food garden fresh longer, while protecting ice from odor transfer, with its unique dual-evaporator system
- CustomCool™ Technology With Full Extension Slides - Chills in minutes thaws in hours and keeps foods fresher, longer
- Beverage Center - Keeps beverages and treats icy cold and easily accessible.
- Upfront Electronic Touch Temperature Controls with Digital Temperature Display - Clearly displays exact temperatures for the fresh food and freezer compartments
- Integrated Ice™ System - Frees up valuable freezer space. It tilts down, providing easy access to bulk ice
- LightTouch! tall dispenser with LED lighting- Dispenses water and ice at the slightest touch. LED lighting provides long-lasting illumination without generating heat.
- Slide 'n Store™ full-Extension Freezer Baskets - Extends 12" to 16" beyond the cabinet, providing easy access to contents
- FrostGuard™ Technology - Reduces freezer burn, so foods retain their texture and flavor
- Model PSH23PSSSV - Stainless steel



imagination at work



As an ENERGY STAR® partner, GE has determined that this product meets the ENERGY STAR guidelines for energy efficiency.