

PSI23MGR

GE Profile CustomStyle™ 22.6 Cu. Ft. Side-By-Side Refrigerator

Dimensions and Installation Information (in inches)

Overall Dimensions	Height to top of hinge (in.) A	69-1/4*
	Height to top of case (in.) B	68-3/4
	Case depth without door (in.) C†	23-7/8
	Case depth less door handle (in.) D†	26-3/4
	Case depth with door handle (in.) E†	29-1/5
	Depth with fresh food door open 90° (in.) F†	45-4/7
	Width (in.) G	35-3/4
Air Clearances	Width with door open 90° inc. door handle (in.) H	40
	Each side (in.)	1/8
	Top (in.)	1
	Back (in.)	1/2

*Height to top of door trim (in.): 70-1/4

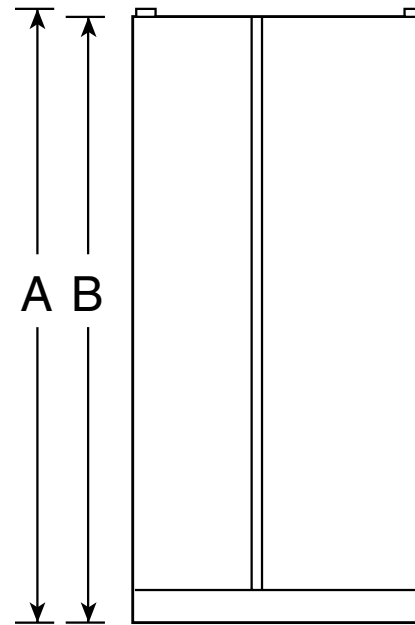
†Water hook-up fits in back air clearance when calculating installation depth.

If installed against a wall, allow clearance of 13-15/16" on freezer side to remove bin.

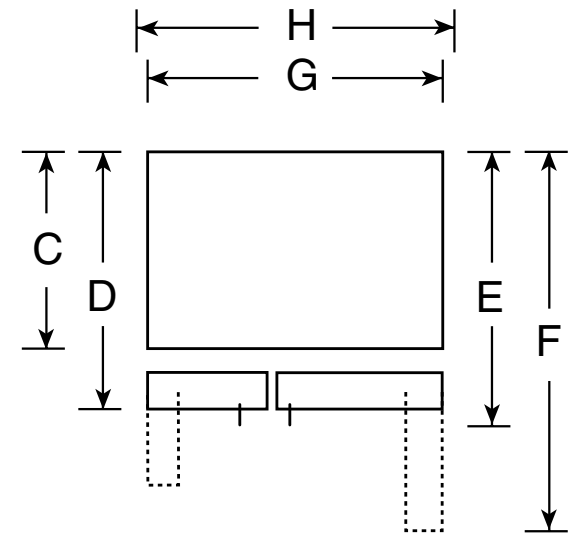
Clearance required to remove fresh food full-size pan without disassembling is 18-5/8".

Allow additional space for any necessary leveling adjustments.

For answers to your Monogram®, GE Profile™ or GE® appliance questions, visit our website at ge.com or call GE Answer Center® service, 800.626.2000.



Front View



Top View



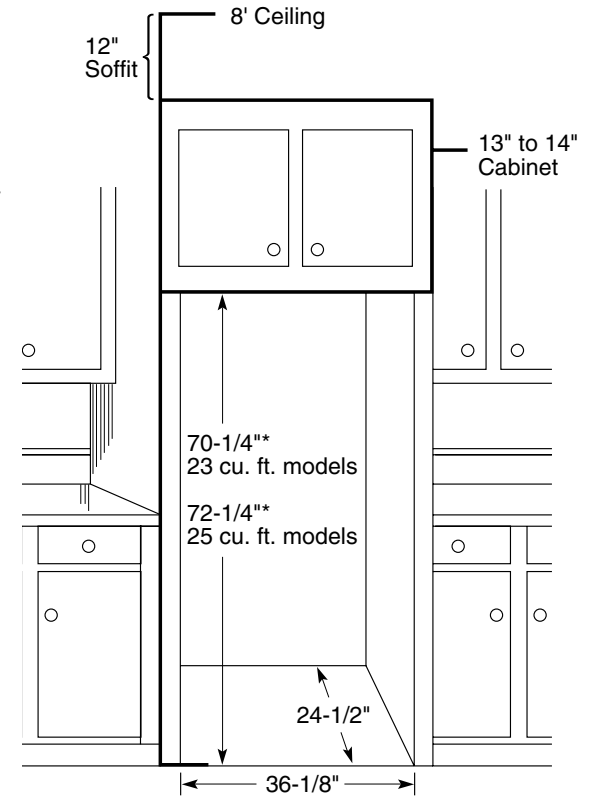
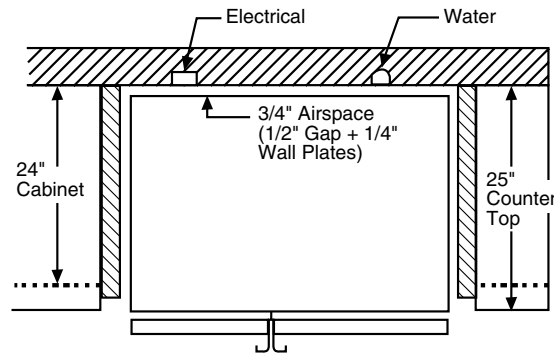
PSI23MGR

GE Profile CustomStyle™ 22.6 Cu. Ft. Side-By-Side Refrigerator

Rough-In Dimensions and Installation Information (in inches)

Installation Tips to Maximize the Built-In Look

- All wall/floor molding should be removed prior to installation.
 - Water recess on rear wall recommended to prevent water line damage. 48" minimum length, 1/4" diameter water line tubing recommended.
 - When possible, recess both copper water line and electrical outlet. (See local codes)
 - Front and rear leveling legs are adjustable for the built-in look. (See owner's manual)
 - If optional collar trim kit is to be used or anticipated, see collar trim installation for different rough-in dimensions
- **The rough-in dimensions of 70-1/4"/72-1/4" are minimum and measured from the finished floor to top of opening (or the underside of the overhead cabinets). For Models with Trim Kit: If frameless style cabinets are planned for above the refrigerator, you may need to consider adding a maximum of 1/4" (70-1/2") to height of opening for 23 cu. ft. models and 1/8" (72-3/8") for 25 cu. ft. models to allow for additional clearance between the cabinet doors and the top of refrigerator trim when the cabinet doors are in open position.



For answers to your Monogram®, GE Profile™ or GE® appliance questions, visit our website at ge.com or call GE Answer Center® service, 800.626.2000.



PSI23MGR

GE Profile CustomStyle™ 22.6 Cu. Ft. Side-By-Side Refrigerator

Rough-In Dimensions and Installation Information (in inches)

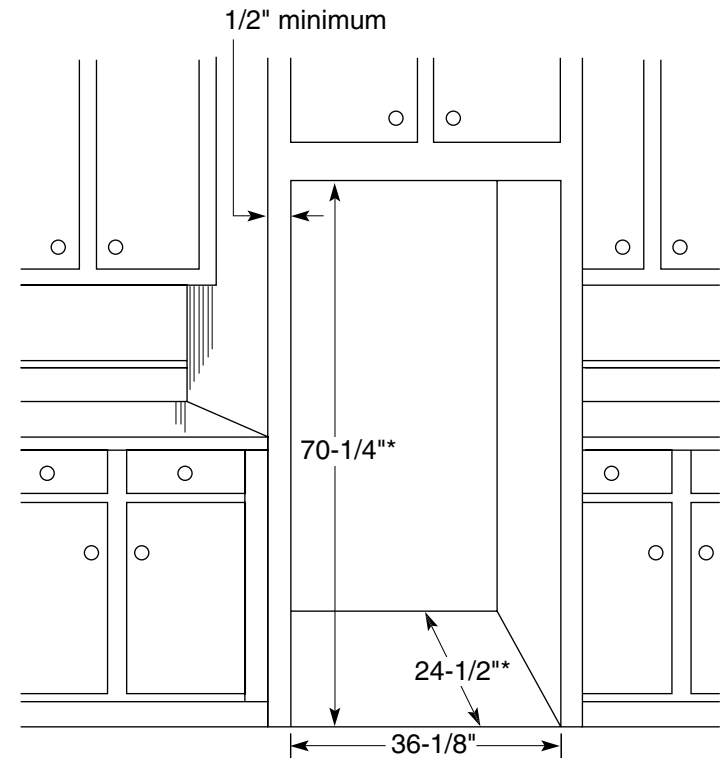
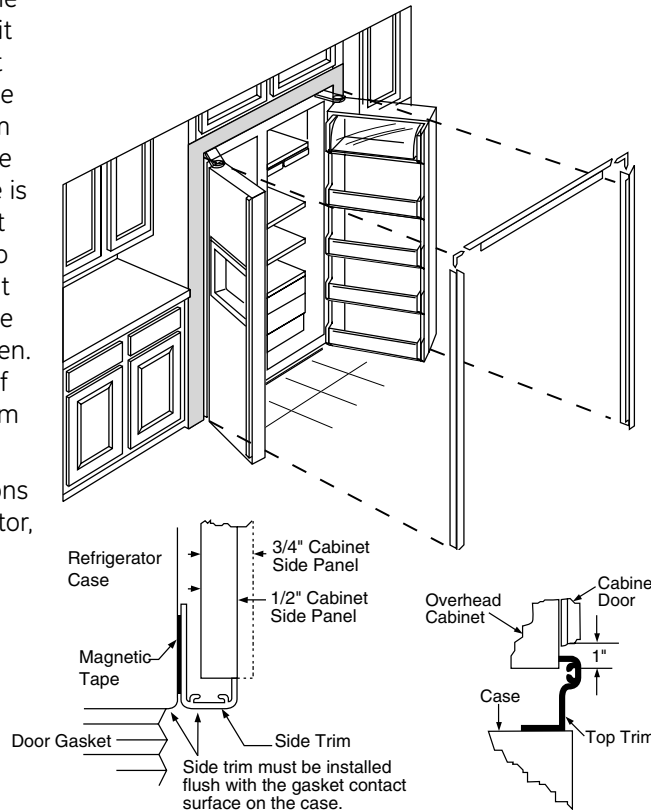
Collar Trim Installation

An enclosure is required to match up to the trim, see Typical Installation. To obtain the most integrated look, the cabinet or soffit above the refrigerator should extend out to the same depth as the side panels. The refrigerator opening must have minimum dimensions of 70-1/4" high x 36-1/8" wide x 24-1/2" deep as shown at right. If there is an overhead cabinet, allow 1" for cabinet door clearance with the top trim piece so the cabinet doors can be opened without hitting the top trim. If 1/2" side panels are used, then side trim and panel will be even. If 3/4" side panels are used, then some of the side panel will extend beyond the trim and must be finished.

IMPORTANT: Before finalizing specifications for your GE Profile CustomStyle Refrigerator, please NOTE:

- A minimum of 36-1/8" is required for refrigerator installation with collar
- Be sure to allow for 1/2" or 3/4" side panels in addition to the 36-1/8" minimum.

Typical Installation
Shaded areas represent front surfaces of side panels and overhead cabinet or soffit that contacts trim.



*The rough-in dimension of 70-1/4" is minimum and is measured from the finished floor to top of opening (or the underside of the overhead cabinets). For Models with Trim Kit: If frameless style cabinets are planned for above the refrigerator, you may need to consider adding a maximum of 1/4" (70-1/2") to height of opening to allow additional clearance between cabinet doors and top of refrigerator trim when cabinet doors are in open position.

For answers to your Monogram®, GE Profile™ or GE® appliance questions, visit our website at ge.com or call GE Answer Center® service, 800.626.2000.



imagination at work



Specification Revised 7/05

210288

PSI23MGR

GE Profile CustomStyle™ 22.6 Cu. Ft. Side-By-Side Refrigerator

Door Panel Dimensions and Installation Information (in inches)

Order your own custom wood panels to match cabinetry or other decor.

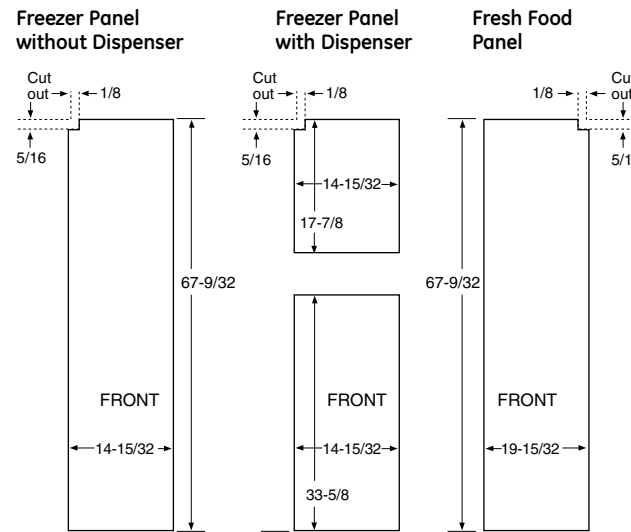
Panels up to 1/4" thick will fit door frame with no special preparation. Add filler behind material thinner than 1/4" for proper fit.

Weight Limits: Total weight of panels (i.e., both freezer panels)—Fresh Food = 38 lbs., Freezer = 28 lbs.

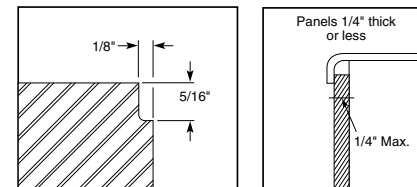
NOTE: Panels up to 3/4" will require special routing area around handles. Dimensions may vary depending on depth of panel.

IMPORTANT: Before finalizing specifications for your GE Profile CustomStyle Refrigerator, please NOTE:

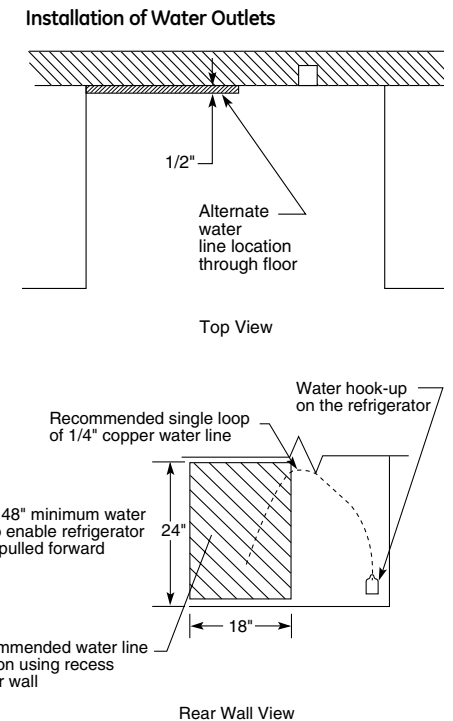
- A minimum of 36-1/8" is required for refrigerator installation with collar
- Be sure to allow for 1/2" or 3/4" side panels in addition to the 36-1/8" minimum.



Detail C



(Fresh Food panel shown)
Notch required at top corner as noted.



For answers to your Monogram®, GE Profile™ or GE® appliance questions, visit our website at ge.com or call GE Answer Center® service, 800.626.2000.

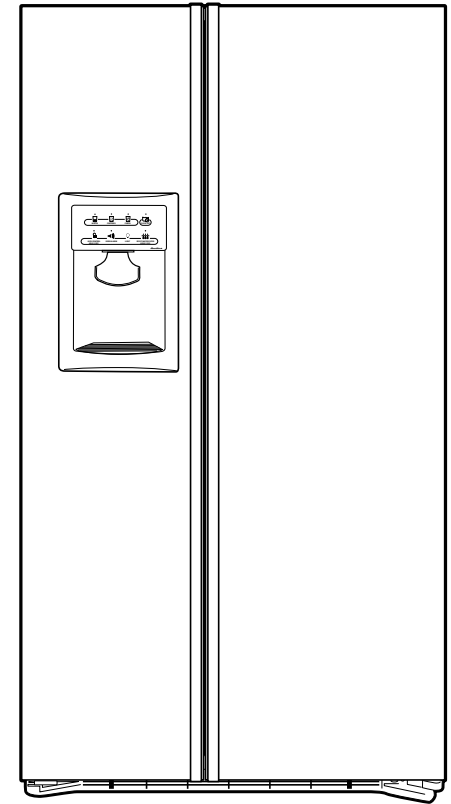


PSI23MGR

GE Profile CustomStyle™ 22.6 Cu. Ft. Side-By-Side Refrigerator

Features and Benefits

- CustomStyle™ Configuration - Offers a built-in look without the built-in expense
- ClimateKeeper™ System - Best Temperature Management System You Can Buy!
- Upfront, Electronic Touch Temperature Controls with Digital Temperature Display - Precise and easy to use, taking the guesswork out of setting accurate temperatures
- Integrated Ice™ System - Frees up valuable freezer space. It tilts down, providing easy access to bulk ice
- Tall LightTouch! Dispenser - Delivers chilled water cubed ice or crushed ice at the slightest touch
- Integrated Shelf Support System - Provides strong, yet flexible support
- FrostGuard™ Technology - Protects frozen items from freezer burn by monitoring door openings and defrosting only when needed
- Adjustable Slide-Out, Spillproof Glass Shelves - Shelves slide out, spills stay put
- QuickIce™ Option - Makes ice up to 50% faster than normal settings-ideal for entertaining
- TurboCool™ Setting - “Revs up” the refrigerator, cooling it quickly after frequent door openings
- GE SmartWater™ Plus Filtration System - Delivers clean, great-tasting water and ice through the LightTouch! Dispenser with indicator light
- In-the-Door Beverage Rack - Conveniently located inside the refrigerator door to increase flexibility and to free up valuable shelf space
- ClearLook™ Gallon Door Bins - Holds gallon-size containers with style and ease
- Model PSI23MGRWV - White on white
- Model PSI23MGRCV - Bisque on bisque
- Model PSI23MGRBV - Black on black



imagination at work