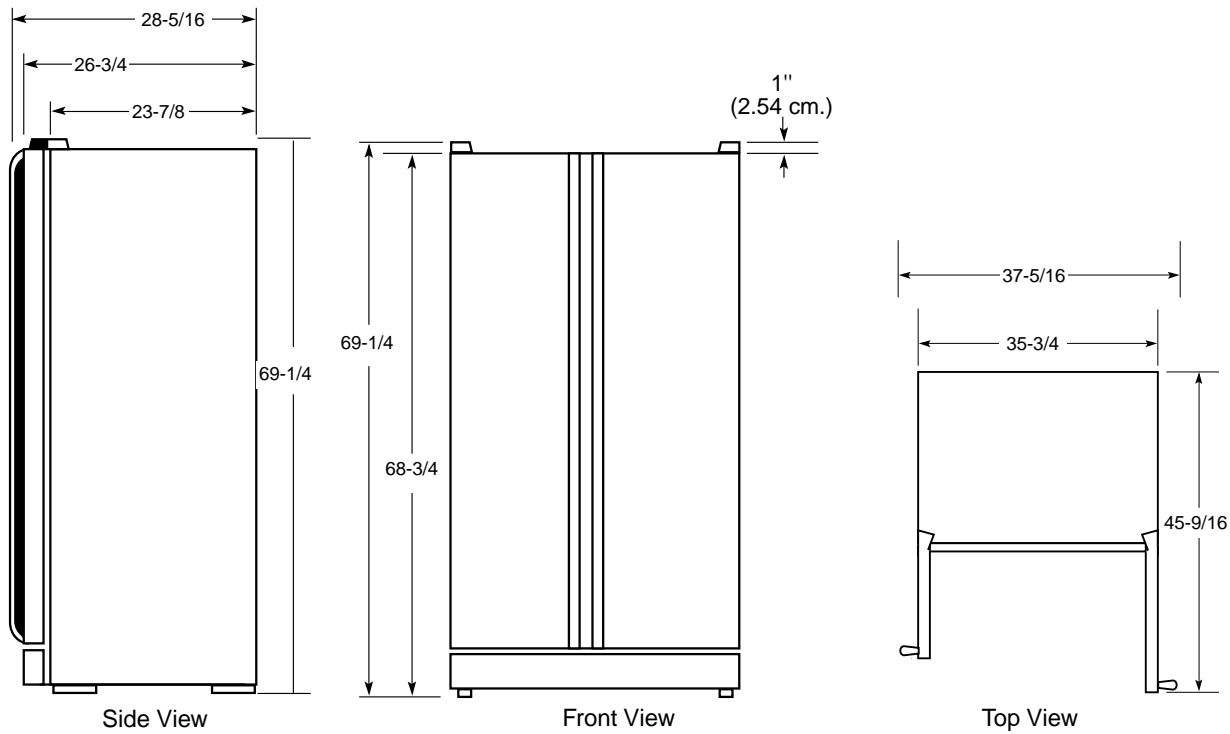




Profile™

PSI23SCM—GE Profile Arctica™ 22.6 Cu. Ft. CustomStyle™ Side-by-Side Refrigerator

Case Dimensions (in inches/cm.)



For answers to your Monogram®, GE Profile™ or GE appliance questions, visit our website at GEAppliances.com or call GE Answer Center® service, 800.626.2000.

Specification Created 11/01



Total volume and shelf area are calculated by the Association of Home Appliance Manufacturers' standards.



Listed by Underwriters Laboratories



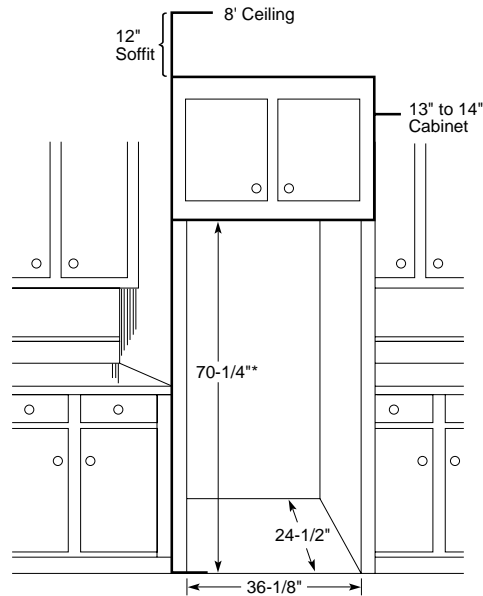
Profile™

PSI23SCM—GE Profile Arctica™ 22.6 Cu. Ft. CustomStyle™ Side-by-Side Refrigerator

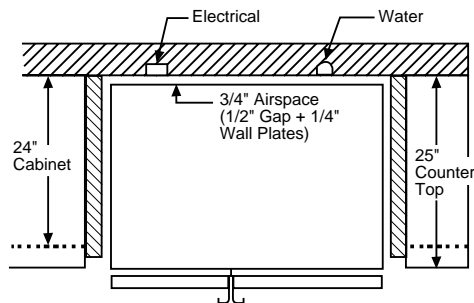
Rough-In Dimensions

Standard, New Construction and Replacement Installation

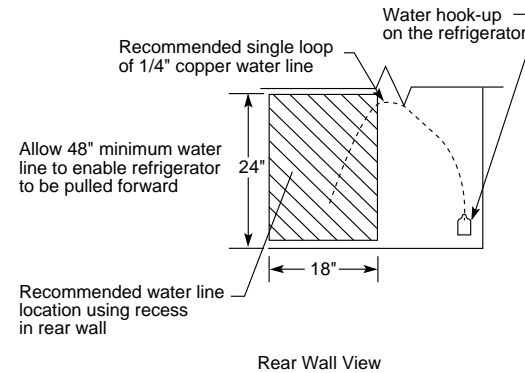
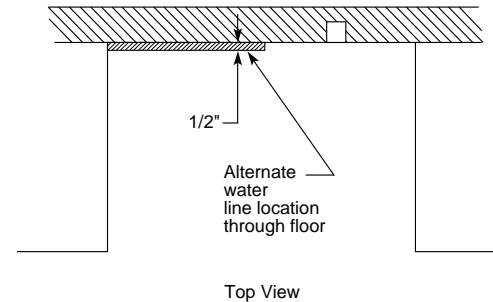
- All wall/floor molding should be removed prior to installation.
- Water recess on rear wall recommended to prevent water line damage. 48" minimum length 1/4" diameter water line tubing recommended.
- When possible, recess both copper water line and electrical outlet.
- Front and rear leveling legs are adjustable for the built-in look. (See owner's manual)
- If optional collar trim kit is to be used or anticipated, see collar trim installation on next page for different rough-in dimensions.



*The rough-in dimension of 70-1/4" is minimum and is measured from the finished floor to top of opening (or the underside of the overhead cabinets). For Models with Trim Kit: If frameless style cabinets are planned for above the refrigerator, you may need to consider adding a maximum of 1/4" (70-1/2") to height of opening to allow additional clearance between cabinet doors and top of refrigerator trim when cabinet doors are in open position.



Installation of Water and Electrical Outlets



For answers to your Monogram®, GE Profile™ or GE appliance questions, visit our website at GEAppliances.com or call GE Answer Center® service, 800.626.2000.

Specification Created 11/01



Total volume and shelf area are calculated by the Association of Home Appliance Manufacturers' standards.



Listed by Underwriters Laboratories

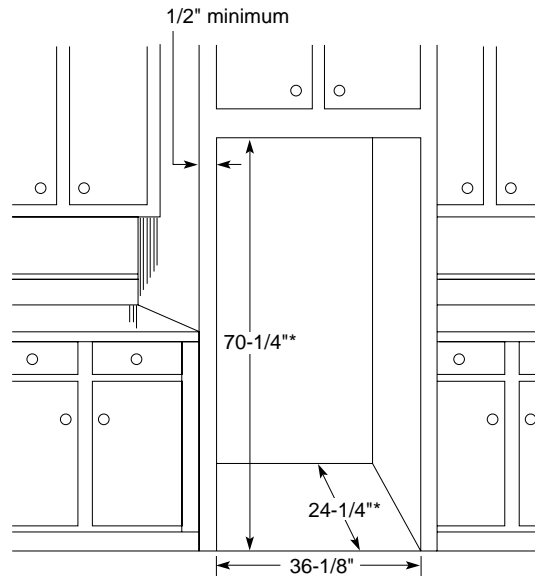


Profile™

PSI23SCM—GE Profile Arctica™ 22.6 Cu. Ft. CustomStyle™ Side-by-Side Refrigerator

Collar Trim Installation

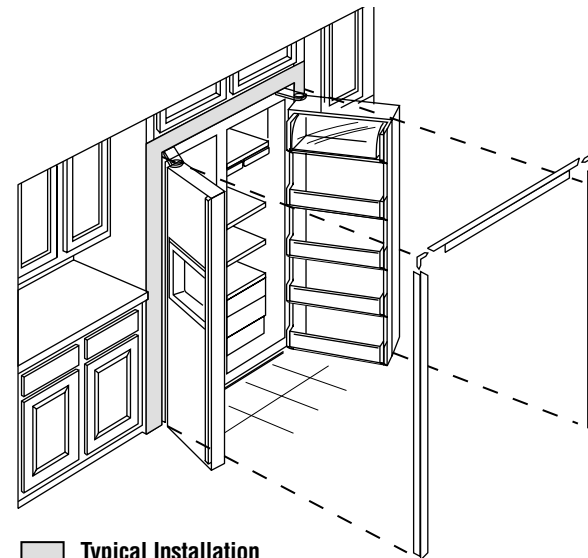
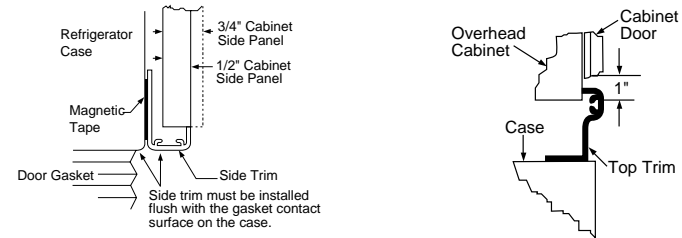
An enclosure is **required** to match up to the trim, see Typical Installation. To obtain the most integrated look, the cabinet or soffit above the refrigerator should extend out to the same depth as the side panels. The refrigerator opening must have minimum dimensions of 70-1/4" high x 36-1/8" wide x 24-1/2" deep as shown at right. If there is an overhead cabinet, allow 1" for cabinet door clearance with the top trim piece so the cabinet doors can be opened without hitting the top trim. If 1/2" side panels are used, then side trim and panel will be even. If 3/4" side panels are used, then some of the side panel will extend beyond the trim and must be finished.



*The rough-in dimension of 70-1/4" is minimum and is measured from the finished floor to top of opening (or the underside of the overhead cabinets). For Models with Trim Kit: If frameless style cabinets are planned for above the refrigerator, you may need to consider adding a maximum of 1/4" (70-1/2") to height of opening to allow additional clearance between cabinet doors and top of refrigerator trim when cabinet doors are in open position.

IMPORTANT: Before finalizing specifications for your GE Profile CustomStyle Refrigerator, please NOTE:

- A minimum of 36-1/8" is required for refrigerator installation with collar
- Be sure to allow for 1/2" or 3/4" side panels in addition to the 36-1/8" minimum



Typical Installation

Shaded areas represent front surfaces of side panels and overhead cabinet or soffit that contacts trim.

For answers to your Monogram®, GE Profile™ or GE appliance questions, visit our website at GEAppliances.com or call GE Answer Center® service, 800.626.2000.



Total volume and shelf area are calculated by the Association of Home Appliance Manufacturers' standards.

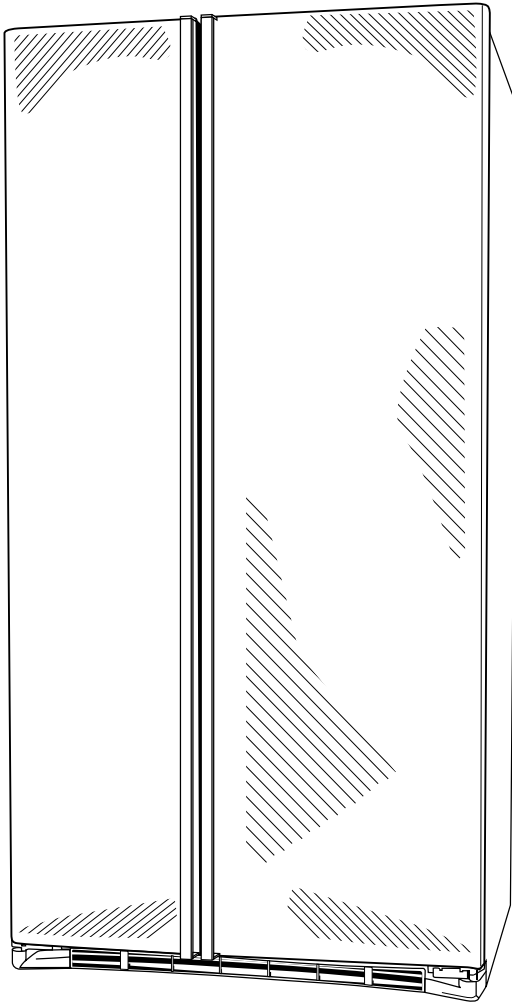


Listed by Underwriters Laboratories



Profile™

PSI23SCM—GE Profile Arctica™ 22.6 Cu. Ft. CustomStyle™ Side-by-Side Refrigerator



Features and Benefits

- 22.6 cu. ft. Capacity (Fresh Food 14.4 cu ft / Freezer 8.19 cu ft)
- CustomCool™ Technology
- ClimateKeeper™ System
- Digital Temperature Display
- Electronic Touch Temperature Control
- TurboCool™ Setting
- Integrated Shelf Support System
- FrostGuard™ Technology
- 4 Wire Tilt-Out Storage Bins (3 Adjustable)
- 5 ClearLook™ Modular Fresh Food Door Shelves (4 Adjustable)
- QuickSpace™ Shelf
- 3 Adjustable Glass Fresh Food Cabinet Shelves (2 Slide-Out, Spill-Proof)
- Electronic Icemaker
- Premium Quiet Design
- Model PSI23SCNBS—Stainless steel