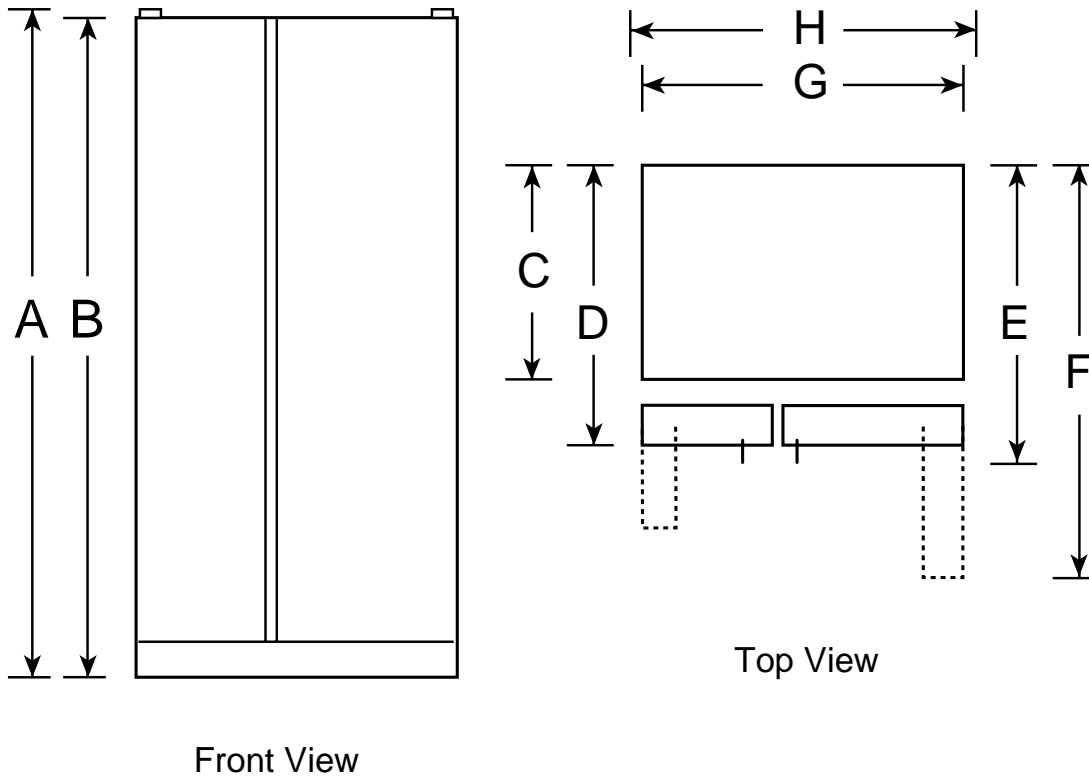




PSW26SSNSS – GE Profile Arctica™ 25.5 Cu. Ft. Side-By-Side Refrigerator with Dispenser

Dimensions (in inches)



Overall Dimensions	Height to top of hinge (in.) A	69-1/4
	Height to top of case (in.) B	70-1/2
	Case depth without doors (in.) C	28-1/2
	Case depth less door handle (in.) D	32-3/4
	Case depth with door handle (in.) E	35-3/16
	Depth with fresh food door open 90° (in.) F	50-9/16
	Width (in.) G	35-7/8*
	Width with doors open 90° less door handle (in.) H	36-3/16
Air Clearances	Each side (in.)	1/8
	Top (in.)	1
	Back (in.)	1

*Width including top caps is 36-3/16.

Note: Add 9/16" for water hook-up. Hook-up fits in 5/8" back air clearance when calculating installation depth.

If installed against a wall, allow clearance of 14-3/16".

To remove fresh food pans, remove door bins.

Clearance required to remove fresh food full-size pan without disassembling is 18-15/16".

Allow additional space for any necessary leveling adjustments.

Note: If the doors cannot be fully opened because of an obstruction or a wall on either side, a door stop should be provided to prevent door or wall damage. If the doors cannot be opened at least 90 degrees, access to the drawers is limited.

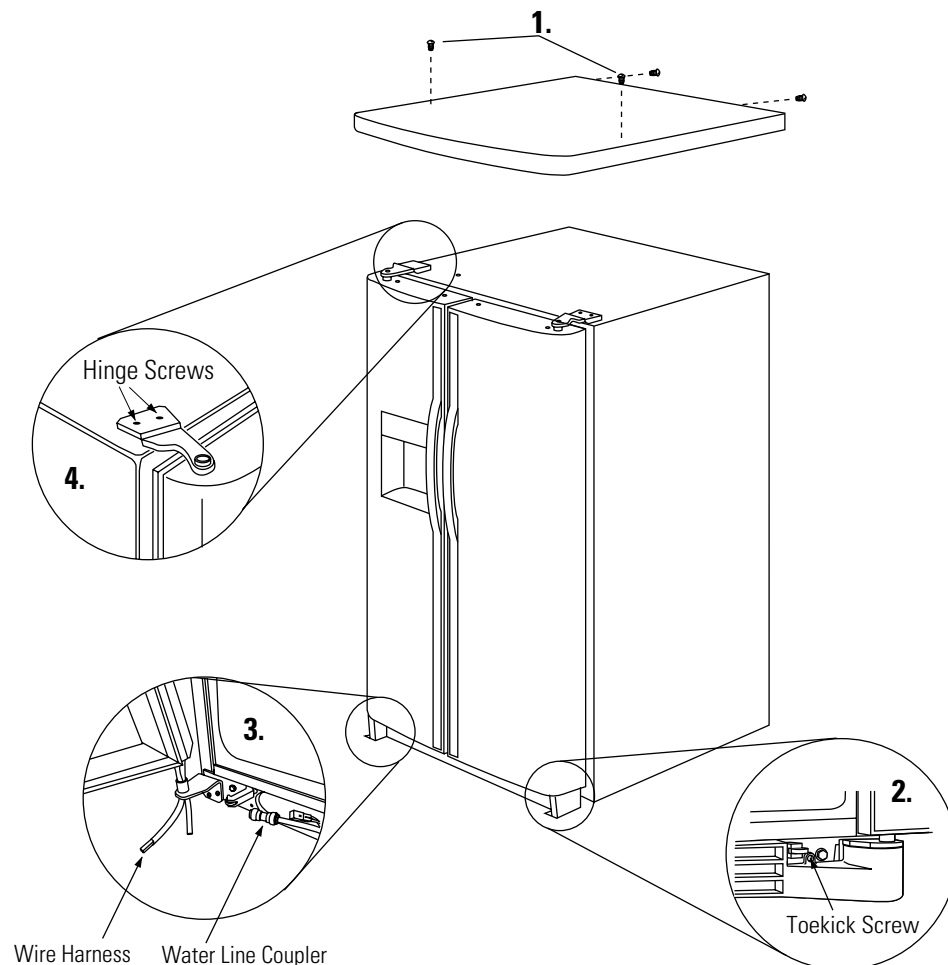
Specification Created 8/02

For answers to your Monogram® GE Profile™ or GE appliance questions, visit our website at GEAppliances.com or call GE Answer Center® service, 800.626.2000.



Profile™

PSW26SSNSS – GE Profile Arctica™ 25.5 Cu. Ft. Side-By-Side Refrigerator with Dispenser



To Remove Top Cap and Doors on PSW26SSNSS

- Step 1: Locate and remove two Phillips head screws on the top of the refrigerator. Remove two screws, one on each side at the rear of the top cap. Lift off and remove top cap.
- Step 2: Open both doors. Remove one screw on each side of the toekick. Pull forward to remove toekick.
- Step 3: On the freezer door, disconnect water line coupler by pushing against the collar on the left side. Disconnect wire harness.
- Step 4: Use a Torx T-20 screwdriver to remove 2 screws holding the top hinge. Carefully remove hinge while supporting door. Lift door up and off bottom hinge. Remove fresh food door in the same manner. Note: Do not remove bottom hinges! Door alignment will be difficult if bottom hinges are removed.
- Step 5: Place refrigerator onto a hand truck, upright and against one side. Move refrigerator to the installation location.

Reinstall Doors, Top Cap

- Step 6: Carefully lower doors onto bottom hinges. Be sure to route the tubing and electrical connector through the bottom hinge. Reinstall top hinges.
- Step 7: Place cap over the top of the refrigerator. Reinstall the original screws in the top and back of the cap.
- Step 8: Reconnect the wiring harness and waterline.

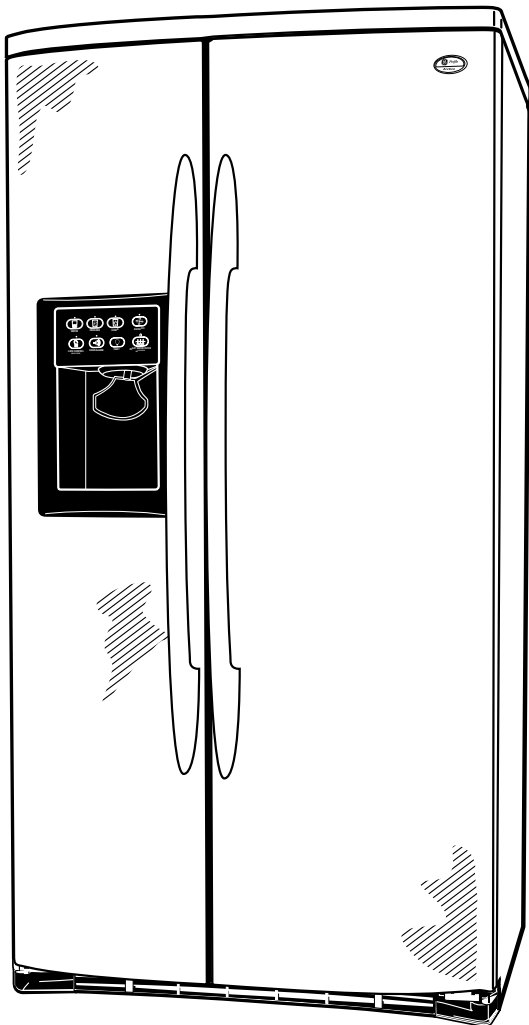
Specification Created 8/02

For answers to your Monogram® GE Profile™ or GE appliance questions, visit our website at GEAppliances.com or call GE Answer Center® service, 800.626.2000.



Profile™

PSW26SSNSS – GE Profile Arctica™ 25.5 Cu. Ft. Side-By-Side Refrigerator with Dispenser



Specification Created 8/02

Features and Benefits

- 25.3 cu. ft. Capacity (Fresh Food 15.9 cu. ft./Freezer 9.37 cu. ft.)
- ENERGY STAR Qualified
- CustomCool™ Technology Chills Food and Beverages in Minutes and Thaws Food Safely and Quickly
- ClimateKeeper™ Temperature Management System – an Electronic System That Helps Keep Food Fresh
- Digital Temperature Display Shows Actual Temperature Inside Refrigerator
- Upfront Electronic Touch Temperature Controls are Precise and Easy to Set
- Contoured Exterior with Gently Rounded Doors and Edges
- SmartWater™ Plus Provides Cleaner, Better Tasting Water, Cubed and Crushed Ice Through the LightTouch!™ Dispenser (with Door Alarm and Child Lock)
- Integrated Shelf Support System with QuickSpace™ Shelf Allows for Maximum Flexibility and Easily Accommodates Taller Items
- Full-Extension Slide 'N Store Freezer Baskets Fully Extend Making Freezer Contents More Accessible
- Quick Ice™ Setting Provides up to 50% More Ice Than Normal Settings
- 3 Tilt-out Freezer Storage Bins (2 Adjustable)
- 5 Fresh Food ClearLook™ Modular Door Shelves (4 Adjustable)
- Tri-Level Lighting
- FrostGuard™ Technology Reduces Freezer Burn
- Electronic Icemaker
- Premium Quiet Design
- Sculptured Handle Provides Sleek, Elegant Appearance
- Model PSS26SSNSS – Stainless steel