



# PT920DR

## GE Profile™ 30" Built-In Single Convection Wall Oven

### Optional Undercounter Dimensions and Installation Information

**Note:** 36" radiant and induction cooktops are approved for use over GE 30" single wall ovens only. 30" radiant and induction cooktops are approved for use over GE 30" and GE 27" single wall ovens. Refer to cooktop and wall oven installation information packed with products for current dimensional data.

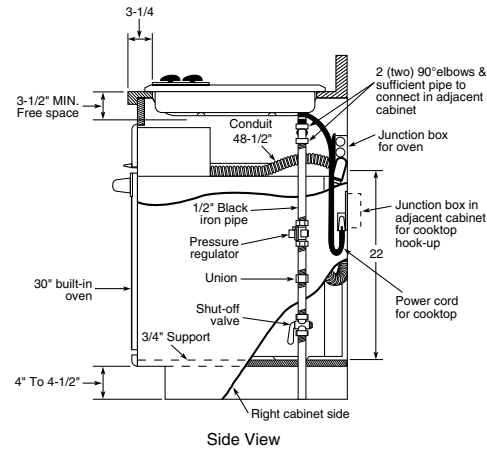
#### Note: CleanDesign or Sealed Burner Gas

This installation is to achieve minimum gap between bottom of countertop and control panel. For this installation, the bottom trim will not be flush with a typical 4" toe kick

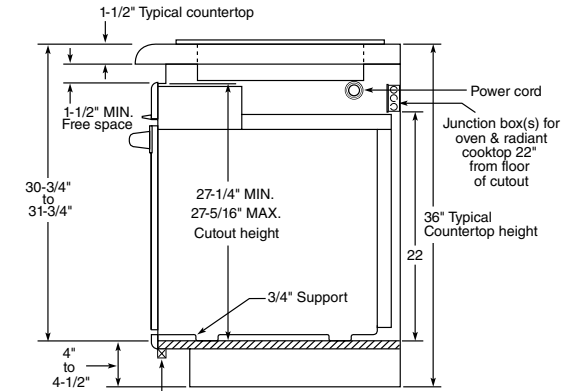
**Note:** Cabinets installed adjacent to wall ovens must have an adhesion spec of at least a 194°F temperature rating.

**Installation Information:** Before installing, consult installation instructions packed with product for current dimensional data.

#### With Gas Cooktop



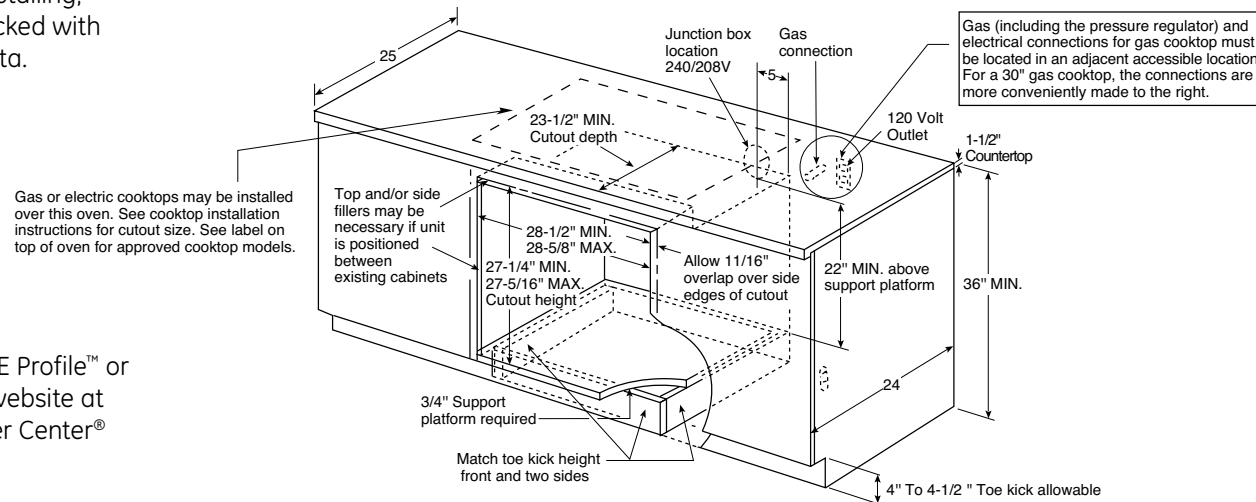
#### With Electric Cooktop



Add suitable filler to match adjacent cabinets when needed to maintain toe kick alignment **Side View**

**Note:** For this installation, the bottom trim **will not** be flush with a typical 4" toe kick.

**Note:** Cabinets installed adjacent to wall ovens must have an adhesion spec of at least a 194°F temperature rating.



Gas or electric cooktops may be installed over this oven. See cooktop installation instructions for cutout size. See label on top of oven for approved cooktop models.

For answers to your Monogram®, GE Profile™ or GE® appliance questions, visit our website at [geappliances.com](http://geappliances.com) or call GE Answer Center® service, 800.626.2000.

Dimension and installation information are shown in inches.



Specification Revised 5/11

220249

# PT920DR

## GE Profile™ 30" Built-In Single Convection Wall Oven

### Features and Benefits

- Glass Touch LCD Controls—Combine a smooth, easy-to-clean glass design with large, easy-to-read graphics to facilitate easier usage
- Black gloss oven interior—Black oven interior adds a stylish touch to any kitchen
- PreciseAir™ convection system—A reversing fan circulates heat and air for evenly browned and baked foods
- Heavy-duty roller rack—Racks provide easy access to items inside the oven by simplifying loading and unloading
- Convection Bake—This setting is optimal for baking casseroles or lasagnas, yeast breads, pies and pizzas with no need to turn the pan
- Convection roast—Optimal for larger cuts of meat, this setting rotates the heat around all sides, sealing in the juices, producing rotisserie results at up to 25% faster than a conventional oven
- Flat back convection—Convection fan system is only 1" deep to provide additional room for cookware
- Hidden bake oven interior—Conceals the lower oven bake element to eliminate hard-to-reach areas that collect food and spills for easy cleaning
- Self-clean oven—Self-clean allows you to spare yourself from the trouble and effort it takes to scrub the oven interior
- Dual interior lighting—Bright interior lights help you check on the progress of your cooking
- Model PT920DRBB – Black on black

