

Gas Range, 30", 5 Burners

Series 7 | Professional

Stainless Steel | LPG

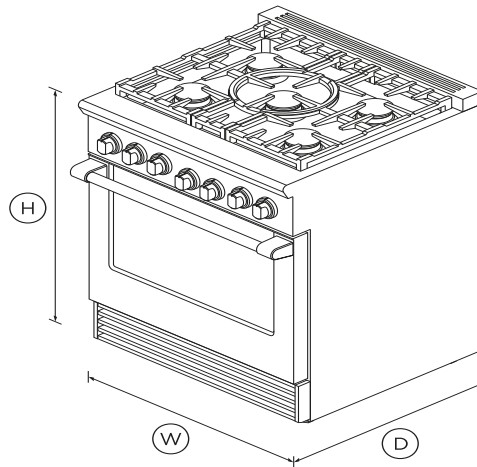


Professional style and performance, with high power burners delivering high heat or the most gentle simmer.

- Top burner heat of 23,500 BTU, for seriously fast boiling
- Gas oven with 4.6 cu ft total capacity
- Non-tip full-extension shelves for safe removal of hot dishes

DIMENSIONS

Height	35 3/4 - 36 3/4"
Width	29 7/8"
Depth	29 1/8"



FEATURES & BENEFITS

Cooktop power

Sealed Dual Flow Burners™ deliver cooktop power up to 23,500 BTU (NG models) for seriously fast boiling right down to a precise 140°F full surface simmer with the gentlest of flames.

Total control

Precise control across high and low settings is delivered through the halo-illuminated cooktop dials. The ovens have true convection and electronic oven control for precise and consistent temperatures.

Easy to clean

A sealed cooktop surface coupled with a commercial-style stainless steel finish means your cooktop simply needs a quick wipe to keep it looking good as new.

Instant visibility

Control dials have halo-illumination glowing white – heating up; orange – temperature reached; red – self-cleaning mode. The oven is illuminated by two powerful incandescent lights.

Cooking flexibility

The cooktop is designed for easy access to any burner, with grates you can smoothly slide pots across, while the oven cavity is large enough to allow you to cook multiple dishes at once

<<Missing Feature Title>>

This range has been carefully crafted in every detail from performance to durability using quality materials.

SPECIFICATIONS

Accessories

Square handle option	AH-R30
----------------------	---------------

Cleaning

Dishwasher proof trivets	•
--------------------------	---

Controls

Electric circuit	3 wire
Metal illuminated dials	•

Gas Requirements

Fitting and pipe	½ NPT, min. ¾" flex line
------------------	---------------------------------

Oven features

Full extension telescopic •

Power requirements

Rated current **15A**
Supply frequency **60Hz**

Product dimensions

Depth **29 1/8"**
Height **35 3/4 - 36 3/4"**
Width **29 7/8"**

Rangetop features

Sealed Dual Flow Burners™ **5**
Sealed range top •
Vent trim included •

Rangetop Performance

Power back left **18500 BTU**
Power back right **18500 BTU**
Power centre **23500 BTU**
Power front right **18500 BTU**

Safety

Full extension telescopic •

SKU **71358**

and specifications may change at any time. You should therefore check with Fisher & Paykel's Customer Care Centre to ensure this page correctly describes the model currently available. © Fisher & Paykel Appliances Ltd 2020



A PEACE OF MIND SALE

24 Hours 7 Days a Week Customer Support

T 1.888.936.7872 W www.fisherpaykel.com

TEST The product dimensions and specifications in this page apply to the specific product and model. Under our policy of continuous improvement, these dimensions