



Product: 30 INCH PROFESSIONAL GAS RANGE IN BLACK
Model Number: RSG30PB

TECHNICAL DETAILS

Fuel Type	Gas
Installation Type	Freestanding
Volts (V)	120V
Frequency (Hz)	50-60Hz
Control Type	Knob Control

COOKTOP PERFORMANCE

Total Number Of Cooktop Burners	5
(1) Front Left Burner	18,000 BTU
(2) Front Center Burner	9,000 BTU
(3) Front Right Burner	8,000 BTU
(4) Rear Left Burner	4,000 BTU
(5) Rear Right Burner	6,000 BTU

FEATURES & BENEFITS

- + **High-Powered BTU Burners:** The high-powered 18,000 BTU burner provides fast, intense heat for creating large family meals and restaurant-quality dishes.
- + **4.55 cu. ft. Oven Capacity:** Spacious oven easily fits large baking sheets, roasting pans, and multiple dishes at once.
- + **Professional Knobs:** Offer precise control, finishes that match the appliance trim for a premium look, and ensure easy operation of cooktop and oven.
- + **Panoramic Viewing Window:** Take a look inside the oven through a panoramic viewing window for a full, clear view of your dishes as they cook, allowing you to monitor progress without opening door.
- + **Continuous Cast-Iron Grates:** Heavy-duty grates provide a seamless surface for easy pan movement and pro-style durability.
- + **Convection Fan:** Commercial convection fan provides controlled heat distribution for fast and efficient cooking.
- + **Telescopic Rack:** Telescopic rack use ball bearing rack guides for an effortless glide in and out of the oven. This luxury feature allows the rack to extend fully without tipping over for smooth, easy handling of even the heaviest dishes, and adjusts to fit different rack support levels.
- + **Even Heat Broiler:** Reflective gas tube broiler distributes heat evenly to sear your food and seal in the juices.
- + **White Projector Light on Panel:** The panel is illuminated by a white projector light, ensuring easy visibility and a modern look.



Specifications subject to change without notice.





STAINLESS STEEL
RSG30PB-SS



BLUE
RSG30PB-BLU



BRONZE
RSG30PB-BRZ



ROSE GOLD
RSG30PB-RSG



ACCESSORIES (INCLUDED)

- 1 Standard Rack
- 1 Telescopic Rack
- 1 Broiler Pan Set

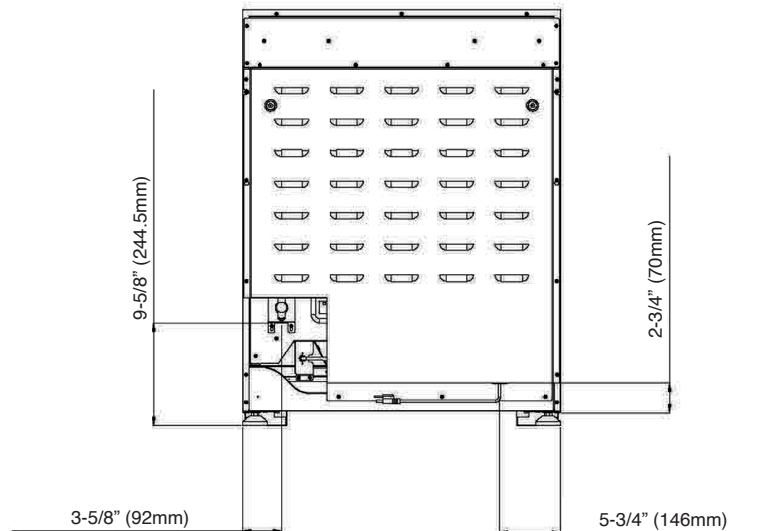
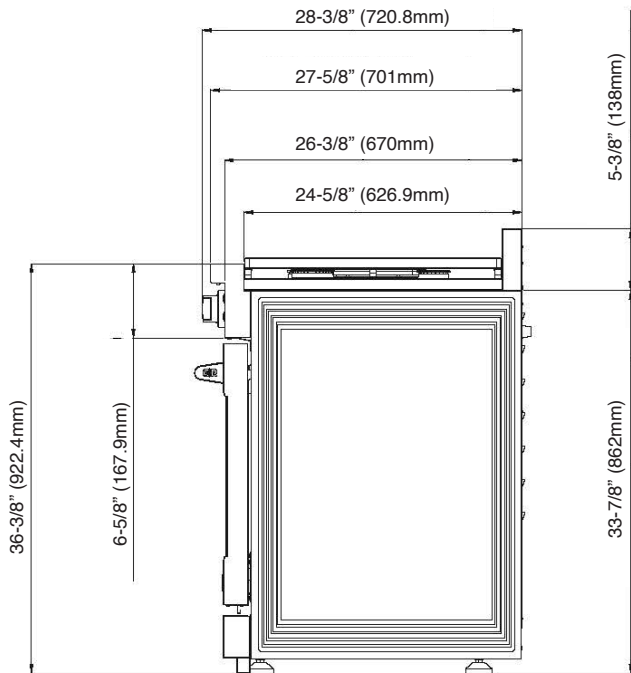
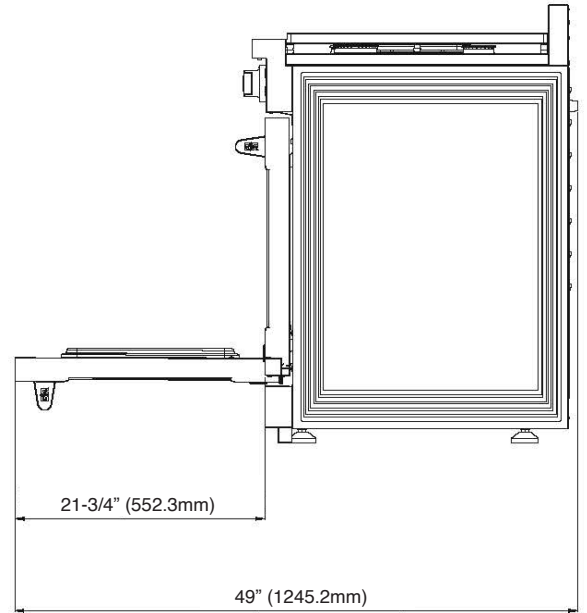
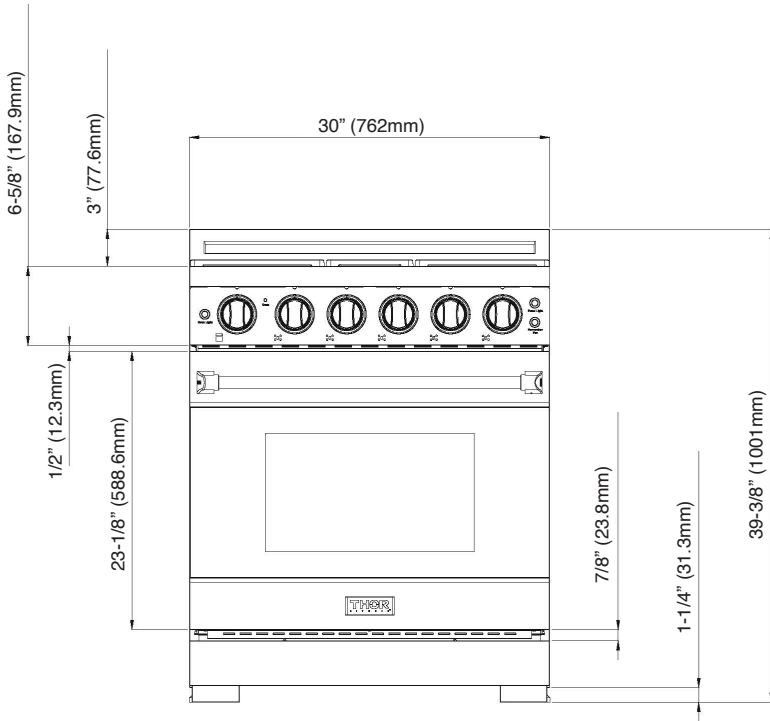
OVEN PERFORMANCE

Oven Capacity	4.55 cu. ft.
Bake Burner Power	18,500W
Broil Burner Power	10,000W
Convection	Commercial Convection
Oven Lights	1
Oven Racks	Telescopic Rack x1, Standard Rack x1
Oven Rack Material	Chrome Plated
Baking Sheet Size	Fits 23" x 16" Baking Sheet
Self Clean (Y/N)	No
Air Fry	No
Oven Internal Width	23-3/4"
Oven Internal Depth	19-1/2"
Oven Internal Height	18-9/16"

PRODUCT DIMENSIONS & WEIGHTS

Product Dimensions (WxDxH)	30" x 28-3/8" x 39-1/4"
Product Height (From Bottom To Top Of Back Splash)	36-3/8"
Product Height (From Bottom To Top Of Side Panel)	39-1/4"
Product Depth (From Back Panel To Bullnose)	27-5/8"
Product Depth (From Back Panel To Control Panel)	26-3/8"
Product Depth (From Back Panel To Side Panel Front)	24-5/8"
Cutout Dimensions (WxDxH)	30" x 24-5/8" x 36"
Package Dimensions (WxDxH)	33-1/16" x 30-1/8" x 46-5/8"
Net Weight (lbs.)	200
Gross Weight (lbs.)	238

Specifications subject to change without notice.



Specifications subject to change without notice.

REV.04/2026