

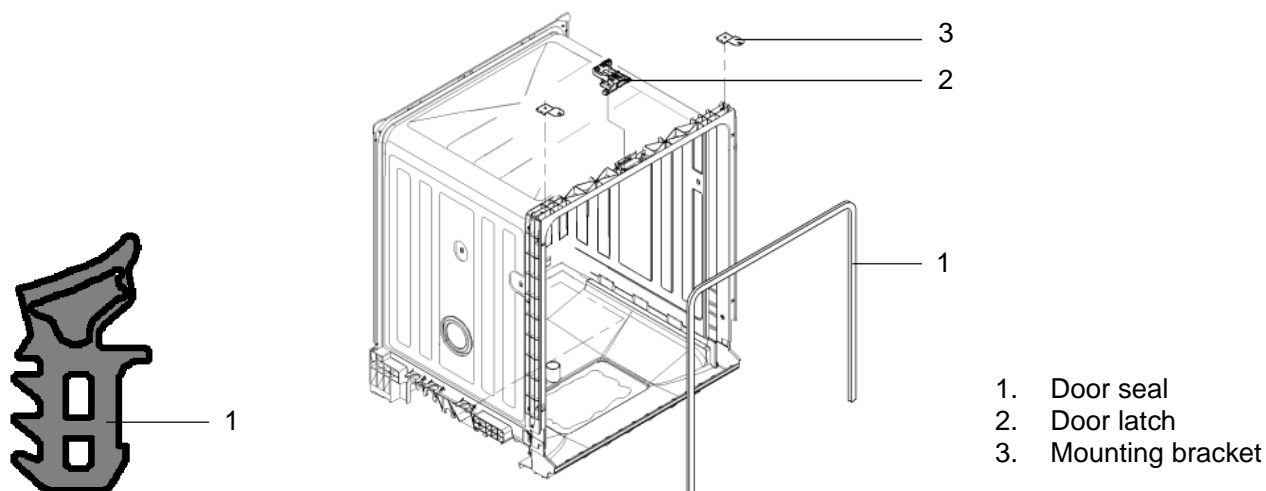
645141

## EN Replacing stiff 645141 door seals

For Ascenta dishwashers built during FD 9010 - 9111, door seal **645141** was stiffer than usual, causing some door latches to not sense doors were closed. If this happens, the *Active* light will flash instead of staying lit and dishwashers won't start. It's more likely to happen in cooler rooms as the cooler temperature makes seals stiffer.

Improper installations can also cause this. Dishwashers should be checked that they're level and doors are level and square. Where needed, re-level dishwashers (front to back and side to side) and adjust mounting brackets to not pull doors out of square.

To confirm door latches aren't sensing when doors are securely closed, hold the door closed and run the dishwasher. If the *Active* light stays lit and the dishwasher starts, the door seal is not seated properly and should be reseated or is too stiff and should be replaced. Make sure the seal is seated properly, then hold the door closed and run the dishwasher again. If the *Active* light flashes and the dishwasher won't run, replace the door seal.



If the door seal was replaced and the dishwasher won't start when the door has been securely closed, check the door latch with a magnet. Hold the magnet over the Hall Effect sensor (located just left of the left screw) – if the *Active* light stays lit and the dishwasher starts, the sensor didn't sense the door latch magnet. If the dishwasher is level and the dishwasher door is square, replace the door latch and / or Hall Effect sensor.

