

## Dishwasher, 24", Stainless steel SHX7ER55UC



- **PrecisionWash®**: uses Intelligent sensors to monitor the wash water and automatically adjust the cycle for a smarter clean.
- **10 years warranty**: our promise against rust-through.
- **24h Delay Start Timer lets you run your dishwasher at off-peak times.**

---

Number of Options: .....	3
Number of options: .....	5
3rd rack: .....	Standard 3rd rack
Tub Material: .....	Stainless Steel
Concealed heating element: .....	Yes
Leak protection system: .....	24/7 Aqua Stop Plus
Five-level wash: .....	Yes
Water Softener: .....	Yes
ChildLock: .....	No
Total Annual Energy Consumption: .....	259 kWh
ENERGY STAR®: .....	No
Number of Place Settings: .....	14

---



- 
- SGZ1010UC Drain hose extension kit
  - SGZ9091UC finish salt for dishwashers
  - SMZ5000 Dishwashing aid set
  - SMZ5002 Silver polishing cassette
  - SMZPC002UC Powercord with cold plug

## Dishwasher, 24", Stainless steel SHX7ER5UC

---

### Key Features

- 42 dBA- Quietest Dishwasher Brand.
- 3rd Rack for Additional Loading Capacity
- ActiveTab™ Tray Optimizes Detergent Dissolving
- Water Softener Ensures Perfect Cleaning Results
- AquaStop® Plus 4-Part Leak Protection Works 24/7
- Saves up to 599 gallons of water each year

### Design

- Stainless Steel TallTub
- Real Stainless Steel Fascia Panel
- Red Remaining Time Display

### Performance

- InfoLight® Beams on Floor to Indicate Dishwasher is Running
- 4 Wash Cycles and 2 Options
- Sanitize Option eliminates bacteria and enhances drying results
- Variable Spray Pressure

### Efficiency

- EcoSense™ Reduces Energy Usage by up to 20%
- Half Load Option for Small Loads

### Convenience

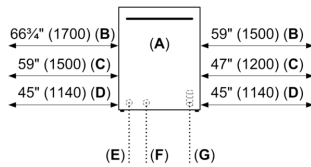
- Multi-Function LED with Remaining Time
- 24 h Delay Start Timer
- Delicate Wash for Fine China

### Capacity

- 15 Place Setting Capacity
- Vario™ Racks for Flexible Loading
- RackMatic® Plus - Upper Rack adjusts to 3 Different Loading Levels
- Flexible Silverware Basket
- Extra Tall Item Sprinkler Cleans Items 22" Tall

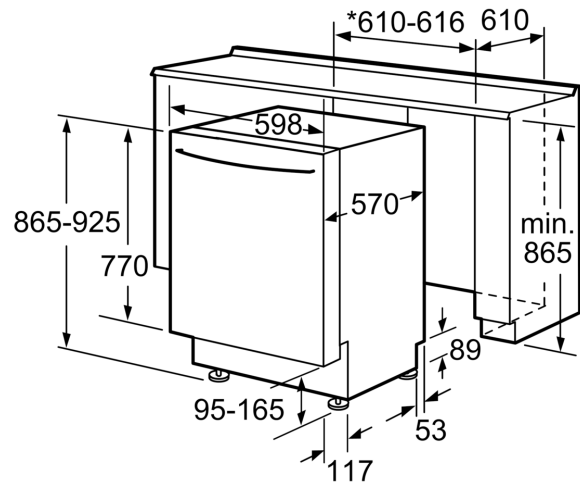
## Dishwasher, 24", Stainless steel SHX7ER5UC

Measurements in inches (mm)

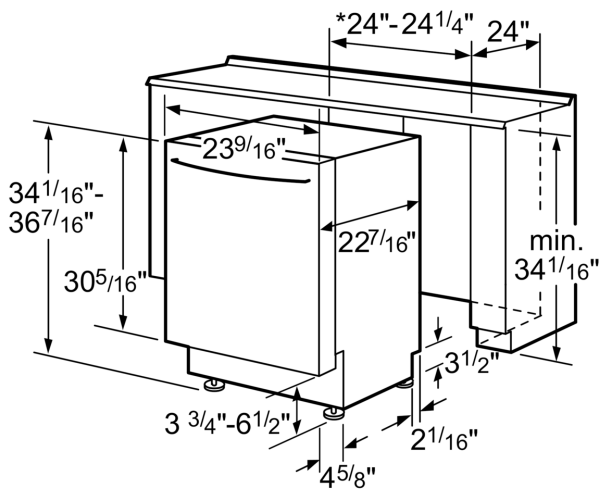


All connections are located on the rear of the appliance.  
Extension for drain hose available as accessory.  
Junction Box for hard wired connection available as accessory.

A: Front view  
B: Drain hose  
C: Water inlet hose  
D: Electrical Power Cord: length shown according to Installation Instructions  
E: Inlet  
F: Drain  
G: Power



\* 600 without decor strips  
measurements in mm



\* 23 5/8" without decor strips  
measurements in inches