

Dishwasher, 24", Stainless steel SHX7PT55UC



Expandable wings on our flexible 3rd rack provide extra height to fit ramekins, measuring cups and extra-large utensils.

- **42 dBA- Quietest Dishwasher Brand.**
- **Flexible 3rd Rack with Adjustable Separators Provides Additional Loading Capacity**
- **Touch Control Technology**
- **TimeLight™ Beams Remaining Time of the Cycle on Floor**
- **Water Softener Ensures Perfect Shine**

Number of Options:	5
Number of options:	6
3rd rack:	Flexible 3rd rack
Tub Material:	Stainless Steel
Concealed heating element:	Yes
Five-level wash:	Yes
Water Softener:	Yes
ChildLock:	No
Total Annual Energy Consumption:	259 kWh
Energy Efficiency Class:	Tier 1
ENERGY STAR®:	Yes
Total Annual Water Consumption:	624 gal
Number of Place Settings:	15



SGZ1010UC Drain hose extension kit
 SGZ9091UC finish salt for dishwashers
 SMZ5000 Dishwashing aid set
 SMZPC002UC Powercord with cold plug

Dishwasher, 24", Stainless steel SHX7PT55UC

Expandable wings on our flexible 3rd rack provide extra height to fit ramekins, measuring cups and extra-large utensils.

Key Features

- 42 dBA- Quietest Dishwasher Brand.
- Flexible 3rd Rack with Adjustable Separators Provides Additional Loading Capacity
- Touch Control Technology
- TimeLight™ Beams Remaining Time of the Cycle on Floor
- Water Softener Ensures Perfect Shine

Design

- Full Size Stainless Steel Tall Tub Installs Perfectly Flush
- 16 Place Setting Capacity
- LED Remaining Time Display
- RackMatic® on Upper Rack - 3 Height Adjustments and Up to 9 Possible Rack Positions
- Flexible Silverware Basket Can be Split into Two Pieces and Placed Anywhere for Added Flexibility
- Extra Tall Item Sprinkler Cleans Items 22" Tall

Performance

- 6 Programs and 5 Options
- Detergent Tray Optimizes Detergent Dissolving
- Load Size Sensor Automates Wash Temperature
- Sanitize Option Eliminates Bacteria and Enhances Drying Results

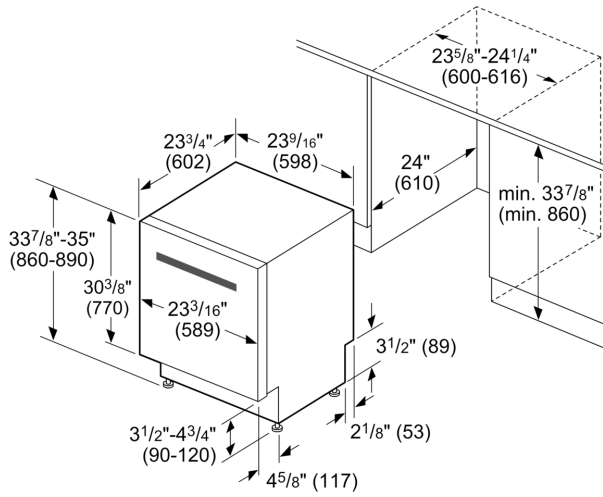
Efficiency

- 259 kWh/yr - Energy Star®
- Half Load Option for Small Loads

Convenience

- 24 h Delay Start Timer
- AquaStop® Leak Protection Works 24/7
- Self-Latching Door
- Express Wash - In 30 Minutes or Less
- SpeedPerfect™ Option Reduces Cycle Time while Maintaining Cleaning Performance

Dishwasher, 24", Stainless steel SHX7PT55UC



measurements in inches (mm)