

**100 Series, Dishwasher, 24",
Stainless Steel Anti-fingerprint
SHX84AAF5N**



- **Quiet Operation at 48 dBA:** creating a dishwasher so quiet, you can't always tell it is running -- this is what makes Bosch the quietest dishwasher brand in the U.S.*
- **PrecisionWash®:** uses Intelligent sensors to monitor the wash water and automatically adjust the cycle for a smarter clean.
- **10 years warranty:** our promise against rust-through.
- **Anti-fingerprint Stainless Steel:** provides protection against fingerprints, dirt & smudges.
- **24h Delay Start Timer lets you run your dishwasher at off-peak times.**

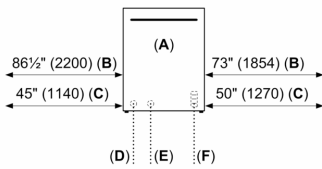
Number of Options:	4
Number of options:	5
3rd rack:	None
Tub Material:	Stainless steel with Polinox base
Concealed heating element:	Yes
Five-level wash:	Yes
Water Softener:	No
ChildLock:	No
Total Annual Energy Consumption:	269 kWh
Energy Efficiency Class:	Tier 1
ENERGY STAR®:	No
Total Annual Water Consumption:	688 gal
Number of Place Settings:	14



-
- SGZ1010UC Drain hose extension kit
 - SMZ5000 Dishwashing aid set
 - SMZEPCC1UC Cabinet protector with power cord clips
 - SMZPCJB1UC Powercord with Junction Box
 - SMZSH1ABUC Supply Hose with Elbow

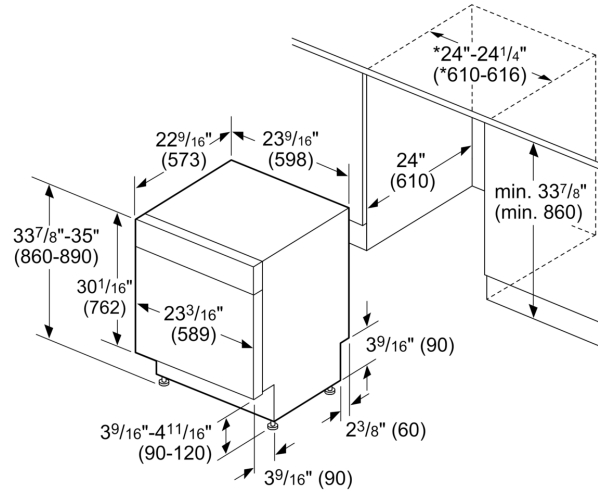
100 Series, Dishwasher, 24", Stainless Steel Anti-fingerprint SHX84AAF5N

measurements in inches (mm)



The electrical power cord and drain connections are in the rear of the appliance. The inlet is in the front. Extension for drain hose available as an accessory. Junction box for hard-wired connection available as an accessory.

A: Front view
B: Drain hose
C: Electrical power cord:
Length shown corresponds to installation instructions
D: Inlet
E: Drain
F: Electrical



*23⁵/₈" (600) without decor strips

measurements in inches (mm)