

Use and care

GUIDE

Freezer refrigerator

T48BT110NS T48BT120NS
T48IT100NP



Further information and explanations are available online:



Table of contents

1 Safety	4	8 Basic Operation	13
1.1 Safety definitions.....	4	8.1 Switching on the appliance.....	13
1.2 General information.....	4	8.2 Operating tips.....	14
1.3 Intended use.....	4	8.3 Switching off the appliance.....	14
1.4 Restrictive Use.....	4	8.4 Setting the temperature.....	14
1.5 Safe transport.....	4	8.5 Cool-fresh compartment storage setting.....	14
1.6 Safe installation.....	4	8.6 Keylock.....	14
1.7 Safe use.....	5	8.7 Storage setting in the variable-temperature compartment.....	14
1.8 Damaged appliance.....	6	9 Basic settings	15
1.9 State of California Proposition 65 Warnings.....	6	9.1 Changing the basic settings.....	15
2 Preventing material damage	7	9.2 Overview of the basic settings.....	15
3 Environmental protection and energy-saving	7	10 Additional functions	16
3.1 Disposal of packaging.....	7	10.1 Super cooling.....	16
3.2 Saving energy.....	7	10.2 Automatic Super freezing.....	16
4 Installation and connection	7	10.3 Manual Super freezing.....	16
4.1 Included in delivery.....	7	10.4 Shopping mode.....	17
4.2 Criteria for the installation location.....	8	10.5 Vacation mode.....	17
4.3 Installing the appliance.....	8	10.6 Energy-saving mode.....	17
4.4 Preparing the appliance for first use.....	8	10.7 Interior lighting.....	17
4.5 Connecting the appliance to the drinking water connection.....	8	10.8 Sabbath mode.....	17
4.6 Connecting the appliance to the electricity supply.....	8	11 Alarm	17
5 Familiarizing yourself with your appliance	9	11.1 Door alarm.....	17
5.1 Appliance.....	9	11.2 Temperature alarm.....	17
5.2 Control panel.....	10	12 Home Connect®	18
5.3 Control panel (variable-temperature compartment).....	11	12.1 Setting up the Home Connect® app.....	18
6 Features	12	12.2 Setting up Home Connect®.....	18
6.1 Shelf.....	12	12.3 Remote Diagnostics.....	18
6.2 Snack container.....	12	12.4 Data Protection.....	18
6.3 Cool-fresh container.....	12	12.5 Status of the Home Connect® connection.....	19
6.4 Variable-temperature container.....	12	13 Service settings	19
6.5 Container divider.....	12	13.1 Changing service settings.....	19
6.6 Frozen food pull-out container.....	12	13.2 Overview of the service settings.....	19
6.7 Suspended frozen food container.....	12	14 Refrigerator compartment	20
6.8 Door tray.....	12	14.1 Tips for storing food in the refrigerator compartment.....	20
6.9 Ice storage container.....	12	14.2 Chill zones in the refrigerator compartment.....	20
6.10 Camera.....	12	15 Cool-fresh compartment	21
6.11 Odor filter.....	13	15.1 Storage recommendations for the cool-fresh compartment.....	21
6.12 Accessories.....	13	16 Freezer compartment	21
7 Before using the appliance for the first time	13	16.1 Tips for storing food in the freezer compartment ...	21
7.1 Performing initial start-up.....	13		

16.2 Tips for freezing fresh food.....	21
16.3 Defrosting methods for frozen food	21
17 Variable-temperature compartment.....	21
17.1 Storage recommendations in the variable- temperature compartment.....	22
18 Water system	22
18.1 Water filter	22
18.2 Water dispenser.....	23
18.3 Ice maker	23
19 Defrosting	24
19.1 Defrosting in the refrigerator compartment	24
19.2 Defrosting in the cool-fresh compartment.....	24
19.3 Defrosting in the freezer compartment	24
19.4 Defrosting in the variable-temperature compartment.....	24
20 Cleaning and maintenance.....	24
20.1 Care instructions for stainless steel surfaces	24
20.2 Preparing the appliance for cleaning	24
20.3 Cleaning the appliance.....	25
20.4 Cleaning the camera.....	25
20.5 Removing the fittings.....	25
20.6 Replacing the odor filter	26
21 Troubleshooting.....	27
21.1 Power failure	30
22 Storage and disposal.....	30
22.1 Taking the appliance out of operation	30
22.2 Disposal of your old appliance	30
23 Customer Service	30
23.1 Model number (E-Nr.), production number (FD) and consecutive numbering (Z-Nr.)	31
24 Technical specifications.....	31
24.1 Information regarding Free and Open Source Software.....	31



IMPORTANT SAFETY INSTRUCTIONS

READ AND SAVE THESE INSTRUCTIONS

Observe the following safety instructions.

1.1 Safety definitions

Here you can find explanations of the safety signal words used in this manual.

WARNING

This indicates that death or serious injuries may occur as a result of non-observance of this warning.

CAUTION

This indicates that minor or moderate injuries may occur as a result of non-observance of this warning.

NOTICE:

This indicates that damage to the appliance or property may occur as a result of non-compliance with this advisory.

Note: This alerts you to important information and/or tips.

1.2 General information

- Read this manual carefully.
- Keep the manual and the product information in a safe place for future reference or for the next owner.
- Do not connect the appliance if it has been damaged in transit.

1.3 Intended use

Only use this appliance:

- for chilling and freezing food, making ice and dispensing water.
- for normal household use and in enclosed spaces in a residential environment.
- Up to an altitude of 2000 m above sea level.

1.4 Restrictive Use

This appliance is not intended for use by persons (including children) with reduced physical, sensory or mental capabilities, or lack of experience and knowledge, unless they have been given supervision or instruction concerning use of the appliance by a person responsible for their safety.

Do not let children play with the appliance.

Cleaning and user maintenance must not be performed by children unless they are being supervised.

1.5 Safe transport

WARNING

The appliance is very top-heavy and may tip over.

- ▶ The appliance must be transported by two or more people.
- ▶ Do not remove the appliance from the pallet until it is ready for installation.
- ▶ Keep the doors and drawers closed until the appliance is fully installed.

WARNING

The heavy weight of the appliance may result in injury when lifted.

- ▶ Do not lift the appliance on your own.

1.6 Safe installation

WARNING

To avoid risk of injury from incorrect repairs, observe the following.

- ▶ Connect and operate the appliance only in accordance with the specifications on the rating plate.
- ▶ Connect the appliance to a power supply with alternating current only via a correctly installed socket outlet with grounding.
- ▶ The protective conductor system of the domestic electrical installation must be properly installed.
- ▶ Never equip the appliance with an external switching device, e.g. a timer or remote control.
- ▶ When the appliance is installed, the mains plug of the power cord must be freely accessible. If free access is not possible, an isolating switch must be integrated into the permanent electrical installation according to the installation regulations.
- ▶ When installing the appliance, check that the power cord is not trapped or damaged.

To avoid risk of injury from damaged insulation of the power cord, observe the following.

- ▶ Never let the power cord come into contact with heat sources.

WARNING

If the appliance's ventilation openings are closed off, a leak in the refrigeration circuit may result in a flammable mixture of gas and air.

- ▶ Keep ventilation openings in the appliance casing or in the integrated casing clear of obstruction.



IMPORTANT SAFETY INSTRUCTIONS

READ AND SAVE THESE INSTRUCTIONS

WARNING

To avoid risk of injury from an extended power cord and non-approved adapters, observe the following.

- ▶ Do not use extension cords or multiple socket strips.
- ▶ Only use adapters and power cords approved by the manufacturer.
- ▶ If the power cord is too short and a longer one is not available, please contact an electrician to have the domestic installation adapted.

Portable multiple socket strips or portable power supply units may overheat and cause a fire.

- ▶ Do not place portable multiple socket strips or power supply units on the back of the appliance.

WARNING

The appliance is very top-heavy and may tip over.

- ▶ The appliance must be installed by two or more people as soon as it is no longer secured and is removed from the pallet.
- ▶ Secure the unit using the supplied anti-tip bracket.
- ▶ Do not leave the appliance unattended during installation.

CAUTION

Touching sharp edges on the appliance may lead to cuts.

- ▶ Wear protective gloves.

1.7 Safe use

WARNING

Moisture intrusion may cause an electric shock.

- ▶ Use the appliance in enclosed spaces only.
- ▶ Never expose the appliance to intense heat or humidity.
- ▶ Do not use any steam cleaners or high-pressure cleaners to clean the appliance.

WARNING

Children may pull packaging material over their heads, or wrap themselves up in it and suffocate.

- ▶ Keep packaging material away from children.
 - ▶ Do not allow children to play with packaging material.
- Children may breathe in or swallow small parts, causing them to suffocate.
- ▶ Keep small parts away from children.
 - ▶ Do not allow children to play with small parts.

WARNING

If the cooling circuit is damaged, flammable refrigerant may escape and explode.

- ▶ To accelerate the defrosting process, do not use any other mechanical devices or means other than those recommended by the manufacturer.
- ▶ If food is stuck to the freezer compartment, loosen it with a blunt implement such as the handle of a wooden spoon.

Products which contain flammable propellants and explosive substances may explode, e.g. spray cans.

- ▶ Do not store products which contain flammable propellants (e.g. spray cans) or explosive substances in the appliance.

WARNING

Electrical devices placed inside the appliance may cause a fire, e.g. heaters or electric ice makers.

- ▶ Do not operate electrical devices within the appliance.

WARNING

Containers which contain carbonated drinks may burst.

- ▶ Do not store containers that contain carbonated drinks in the cool-fresh compartment or in the variable-temperature compartment below 34 °F (1 °C).
- ▶ Do not store containers which contain carbonated drinks in the freezer compartment.

Injury to the eyes caused by escaping flammable refrigerant and hazardous gases.

- ▶ Do not damage the tubes of the refrigerant circuit or the insulation.

WARNING

Contact with frozen food and cold surfaces may cause burns by refrigeration.

- ▶ Never put frozen food straight from the freezer compartment into your mouth.
- ▶ Avoid prolonged skin contact with frozen food, ice and surfaces in the freezer compartment.

CAUTION

To prevent food from being contaminated, you must observe the following instructions.

- ▶ Leaving the door open for an extended period of time may lead to a considerable temperature increase in the compartments of the appliance.
- ▶ Regularly clean the surfaces that may come into contact with food and accessible drain systems.



IMPORTANT SAFETY INSTRUCTIONS

READ AND SAVE THESE INSTRUCTIONS

- ▶ If water has not been dispensed for 5 days, flush the water system.
- ▶ Store raw meat and fish in suitable containers in the refrigerator so that they do not touch or drip on other food.
- ▶ If the fridge/freezer is empty for an extended period of time, switch off the appliance, defrost it, clean it and leave the door open to prevent the formation of mold. Metal or metal-style parts in the appliance may contain aluminum. If acidic food comes into contact with aluminum in the appliance, aluminum ions may pass into the food.
- ▶ Do not consume soiled food.

1.8 Damaged appliance

WARNING

To avoid risk of injury from a damaged appliance or power cord, observe the following.

- ▶ Never operate a damaged appliance.
- ▶ Never pull on the power cord to unplug the appliance. Always unplug the appliance at the power outlet.
- ▶ If the appliance or the power cord is damaged, immediately unplug the power cord or switch off the breaker in the circuit breaker box and turn off the water tap.
- ▶ Call Customer Service. → *Page 30*

To avoid risk of injury from improper repairs, observe the following.

- ▶ Only qualified technicians or authorized service providers should perform repairs.
- ▶ Only genuine spare parts may be used to repair the appliance.
- ▶ If the power cord or the appliance power cable of this appliance becomes damaged, it must be replaced with a special power cord or special appliance power cable, which is available from the manufacturer or the manufacturer's Customer Service.

WARNING



If the tubes are damaged, flammable refrigerant and harmful gases may escape and ignite.

- ▶ Keep open flames and ignition sources away from the appliance.
- ▶ Ventilate the room.
- ▶ Switch off the appliance.

- ▶ Unplug the appliance from the power source or switch off the circuit breaker in the fuse box.
- ▶ Call Customer Service. → *Page 30*

1.9 State of California Proposition 65 Warnings

This product may contain a chemical known to the State of California, which can cause cancer or reproductive harm. Therefore, the packaging of your product may bear the following label as required by California:

STATE OF CALIFORNIA PROPOSITION 65 WARNING: /
AVERTISSEMENT ISSUE DE LA PROPOSITION 65
DE L'ÉTAT DE LA CALIFORNIE:

 **WARNING /
AVERTISSEMENT**

Cancer and Reproductive Harm / Cancer et dommages à la reproduction - www.P65Warnings.ca.gov.

2 Preventing material damage

NOTICE:

The high weight of the appliance or, if not rolled in a straight line, the appliance's castors may damage the floor when the appliance is moved.

- ▶ Transport the appliance using a hand-cart.
- ▶ Use floor protection when moving the appliance, and do not move it in a zigzag fashion.

When the appliance door is closed, the mullion rail should be closed (flush with the door edge) or damage may occur.

- ▶ Never open the mullion rail manually.
- ▶ If the mullion rail has been opened, rotate it closed (flush with the door edge) before closing the appliance door.

Using the base, runners or appliance doors as a seat or climbing surface may damage the appliance.

- ▶ Do not stand or lean on the base, runners or doors.

If the water pressure is too high or too low, this may impair functioning of the appliance.

- ▶ Make sure that the water pressure in the water supply system is at least 29 psi (200 kPa) and max. 116 psi (800 kPa).
- ▶ If the water pressure exceeds the maximum value specified, a pressure-reducing valve must be installed between the drinking water connection and the hose set of the appliance.

Modified or damaged water hoses may result in material damage and damage to the appliance.

- ▶ Never kink, crush, modify or cut through water hoses.
- ▶ Never re-use water hoses that have been used before.
- ▶ Never pull on the water hose on the rear panel of the appliance.

Contamination with oil or fat may cause plastic parts and door seals to become porous.

- ▶ Keep plastic parts and door seals free of oil and grease.

Metal or metal-style parts in the appliance may contain aluminum. When aluminum comes into contact with acidic foods, it corrodes and discolors.

- ▶ Only store packaged food in the appliance.

If you clean fittings and accessories in the dishwasher, this may cause them to become deformed or discolor.

- ▶ Never clean fittings and accessories in the dishwasher.

3 Environmental protection and energy-saving

3.1 Disposal of packaging

The packaging materials are environmentally compatible and can be recycled.

- ▶ Sort the individual components by type and dispose of them separately.

¹ Depending on the appliance specifications

² Not in all countries

3.2 Saving energy

If you follow these instructions, your appliance will use less power.

Selecting the installation location

- Keep the appliance out of direct sunlight.
- Install the appliance as far away as possible from heating elements, stoves and other heat sources:
 - Maintain a 1¹/₄" (30 mm) clearance to electric or gas stoves.
 - Maintain an 11¹³/₁₆" (300 mm) clearance to oil or solid-fuel stoves.
- Never cover or block the external ventilation openings.

Saving energy during use

Note: The arrangement of the fittings does not affect the energy consumption of the appliance.

- Open the appliance only briefly and then close it carefully.
- Never cover or block the interior ventilation openings or the exterior ventilation openings.
- Transport purchased food in a cooler and place quickly in the appliance.
- Allow warm food and drinks to cool down before storing them.
- Thaw frozen food in the refrigerator compartment to utilize the low temperature of the food.
- Always leave some space between the food and to the back panel.
- Vacuum the external ventilation grilles when they are dusty.

4 Installation and connection

4.1 Included in delivery

After unpacking all the parts, check for any damage in transit and for completeness of delivery.

If you have any concerns, contact your dealer or our Customer Service → *Page 30*.

The delivery consists of the following:

- Equipment and accessories¹
- Installation material
- Installation instructions
- User manual
- Explanation of the limited product warranty
- Warranty enclosure²
- Energy label
- Information on energy consumption and noises
- Information about Home Connect®

4.2 Criteria for the installation location

⚠ WARNING

If the appliance is in a space that is too small, a leak in the refrigeration circuit may result in a flammable mixture of gas and air.

- ▶ Only install the appliance in a space with a volume of at least 35 ft³ (1 m³) per 0.3 oz (8 g) refrigerant. The amount of refrigerant is indicated on the rating label.
→ "Appliance", Fig. **1/16**, Page 10

The weight of the appliance from factory may be up to 740 lbs (335 kg) depending on the model.
The subfloor must be sufficiently stable to bear the weight of the appliance.

4.3 Installing the appliance

- ▶ Install the appliance in accordance with the enclosed installation instructions.

4.4 Preparing the appliance for first use

1. Remove the information material.
2. Remove the protective film and transit bolts, e.g. remove the adhesive strips and cardboard.
3. Clean the appliance for the first time. → Page 25

4.5 Connecting the appliance to the drinking water connection

Requirements

- A shut-off valve must be installed on the water connection and be freely accessible following installation of the appliance.
- Ensure that the water coming from the water connection is potable.
- The water hose has a sealing ring.

1. Draw mains water from the domestic drinking water connection until the water is no longer cloudy and containers no deposits.

If the mains water is still cloudy or contains deposits, install an external water filter system.

2. Install the water hose according to the enclosed installation instructions on the appliance.

4.6 Connecting the appliance to the electricity supply

1. Insert the appliance plug of the power cord into the appliance.
2. Insert the power plug of the appliance's power cord in a socket outlet with grounding nearby.

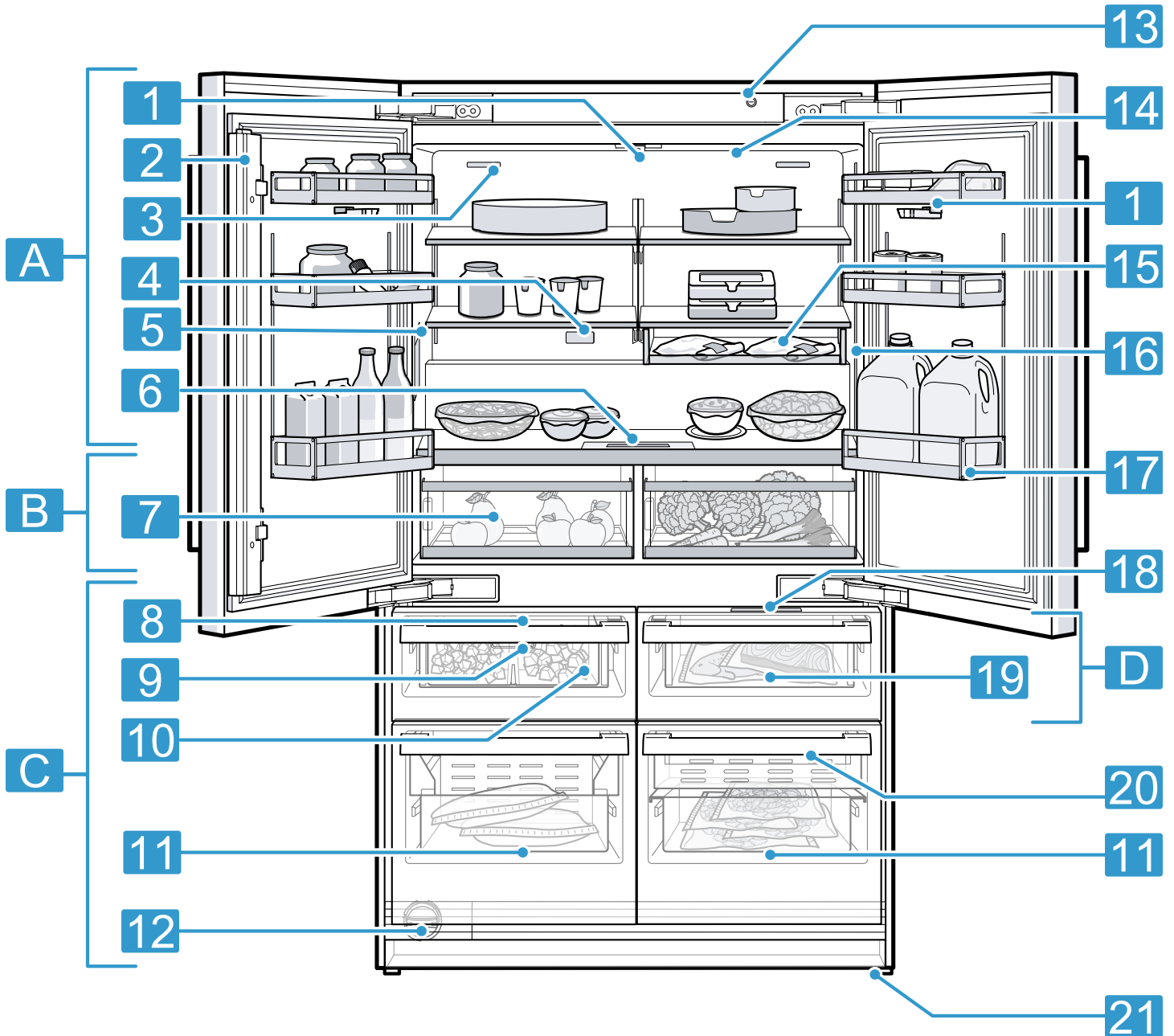
The connection data of the appliance can be found on the rating plate. → "Appliance", Fig. **1/16**, Page 10

3. Check the power plug is inserted properly.
- ✓ The appliance is now ready to use.

5 Familiarizing yourself with your appliance

5.1 Appliance

Here you can find an overview of the parts of your appliance.



1

Your appliance may differ from the diagrams with regard to cosmetic features and dimensions.

A Refrigerator compartment → *Page 20*

B Cool-fresh compartment → *Page 21*

C Freezer compartment → *Page 21*

D Variable-temperature compartment → *Page 21*

1 Camera

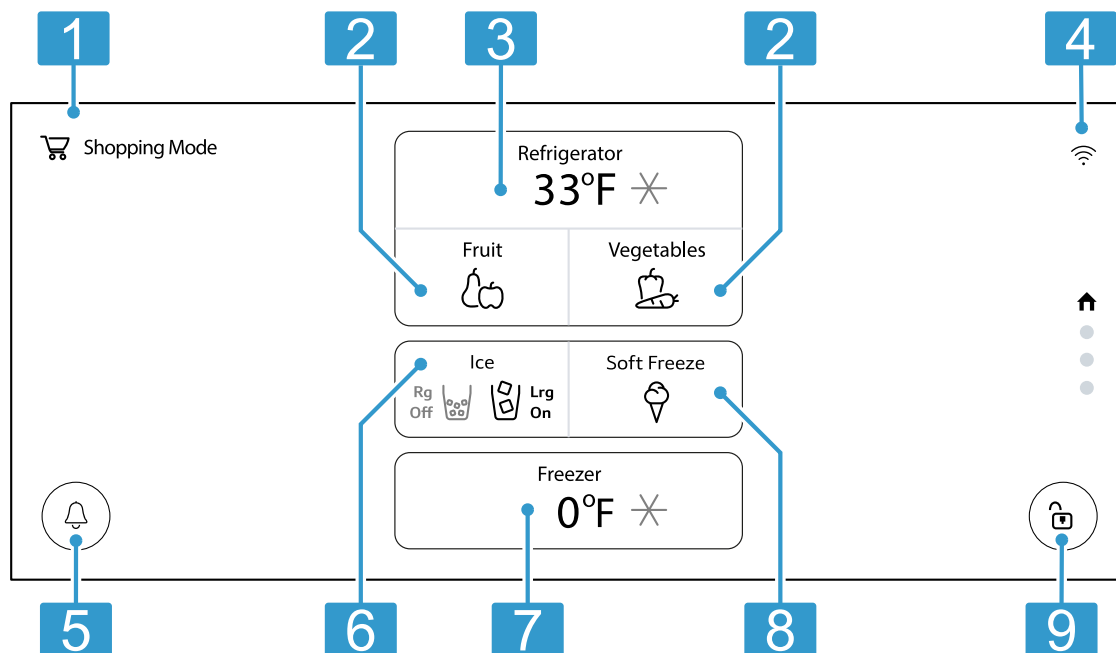
2 Mullion rail with condensation protection → *Page 7*

3	Inner ventilation openings (refrigerator compartment)
4	Odor filter → Page 13
5	Water dispenser → Page 23
6	Control panel → Page 10
7	Cool-fresh container → Page 12
8	Ice cube maker → Page 23
9	Container divider → Page 12
10	Ice storage container → Page 12
11	Suspended frozen food container → Page 12
12	Water filter → Page 22

13	Main switch
14	Interior lighting
15	Snack container → Page 12
16	Rating label → Page 31
17	Door tray for large bottles → Page 12
18	Control panel (variable-temperature compartment) → Page 11
19	Variable-temperature container
20	Frozen food pull-out container → Page 12
21	Screw foot

5.2 Control panel

You can use the control panel to configure all functions of your appliance and to obtain information about the operating status.



2	
1	Displays the set mode.
2	Allows the cool-fresh compartment to be set.
3	Allows the refrigerator compartment to be set.
4	Shows the status of Home Connect®, for example, whether Home Connect® is switched on or off.
5	🔔 opens the notification center.
6	Allows ice cube production to be set.
7	Allows the freezer compartment to be set.
8	Allows the variable-temperature compartment to be set.

9	Switches the display's button lock on or off.
---	---

Operating logic

Some areas of the display respond to touch. You can activate settings by touching the buttons. The activated settings are highlighted on the display. You can change or deactivate the activated settings by repeatedly pressing the relevant buttons on the display.

NOTICE:

Pressing on the display with force may cause damage.

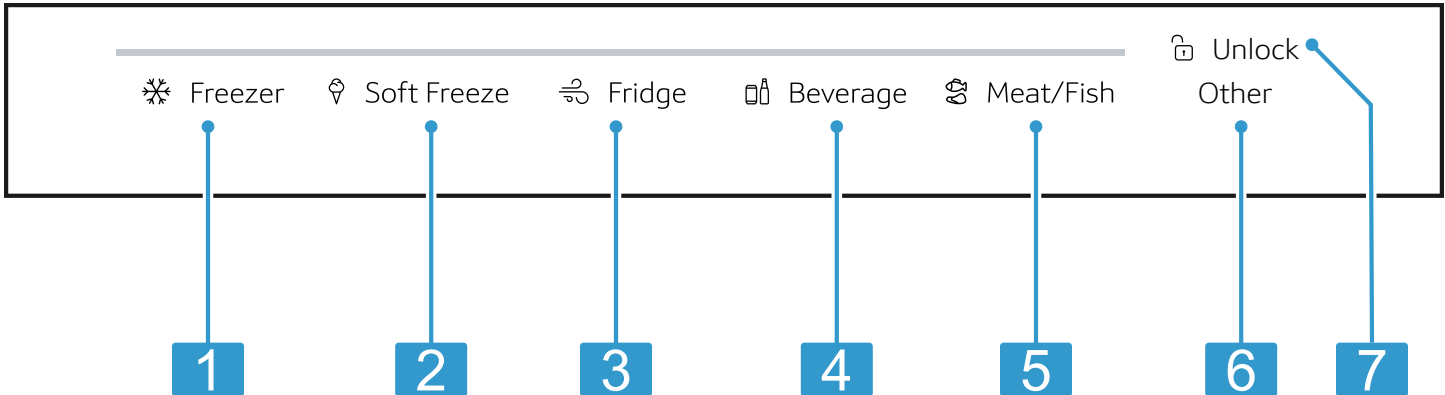
- ▶ Do not apply heavy pressure on the display.
- ▶ Do not press on the display using pointed or sharp objects.

Symbol	Description
🏠	Go to the start screen
ℹ️	Display additional information

Symbol	Description
🔘	Switch on the function
🔘	Switch off the function

5.3 Control panel (variable-temperature compartment)

Use the variable-temperature compartment's control panel to set the storage setting.



3

- 1 ❄️ **Freezer** sets the storage setting in the variable-temperature compartment to a freezer compartment.
- 2 🧊 **Soft Freeze** sets the storage setting in the variable-temperature compartment to soft freezing.
- 3 🧊 **Fridge** sets the storage setting in the variable-temperature compartment to a refrigerator compartment.
- 4 🥤 **Beverage** sets the storage setting in the variable-temperature compartment for drinks.
- 5 🥩 **Meat/Fish** sets the storage setting in the variable-temperature compartment to meat and fish.
- 6 "Other" lights up if user-defined settings have been set via the Home Connect® app or the control panel.
- 7 🔓 **Unlock** switches off the button lock for the control panel (variable-temperature compartment).

6 Features

The features of your appliance depend on the model.

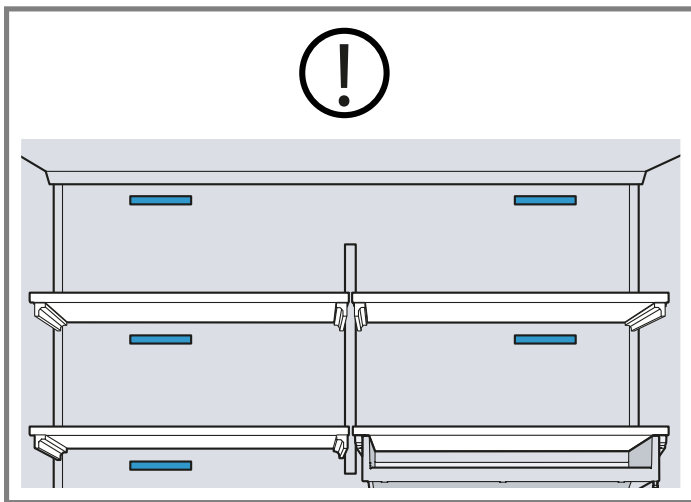
6.1 Shelf

To vary the shelf as desired, you can remove the shelf and re-insert it elsewhere.

→ "Removing the shelf", Page 25

Note

To avoid impeding the circulation of air, do not cover the inner ventilation openings.



6.2 Snack container

Store packaged food or small snacks in the snack container.

6.3 Cool-fresh container

To automatically set the cool-fresh container to the right humidity and temperature for your food, use the different cool-fresh container storage settings.

Store fresh fruit and vegetables loose in the cool-fresh container.

Cover any chopped fruit and vegetables, or store in air-tight packaging.

For hygiene reasons, do not store fruit and vegetables in a cool-fresh container with meat and fish.

Condensation may form in the cool-fresh container depending on the type and quantity of food stored. Remove the condensation with a dry cloth.

To ensure that the quality and aroma are retained, store fruit and vegetables that are sensitive to cold outside of the appliance at temperatures of approximately 46 °F (8 °C) to 54 °F (12 °C), e.g. pineapple, bananas, citrus fruits, cucumbers, zucchinis, bell peppers, tomatoes and potatoes.

6.4 Variable-temperature container

Use different storage settings to set the correct temperature for your food in the variable-temperature compartment.

6.5 Container divider

To create more storage space in the ice storage container, you can remove the container divider. Removing the container divider → Page 25

6.6 Frozen food pull-out container

In order to achieve an improved overview and to remove frozen food more quickly, remove the frozen food pull-out container.

6.7 Suspended frozen food container

Store large frozen items in the suspended frozen food container.

6.8 Door tray

To adjust the door tray as desired, you can remove the door tray, and re-insert it elsewhere.

→ "Removing the door tray", Page 25

6.9 Ice storage container

If ice cube production is switched on, the ice cubes are automatically stored in the ice storage container.

NOTICE:

The ice maker may become blocked or damaged by food or objects stored in the ice storage container.

- ▶ Never store food or objects in the ice storage container.

Note: To prevent the ice storage container from being overfilled, do not manually distribute the ice cubes throughout the ice storage container.

Tip: To ensure that no ice cubes fall into the freezer compartment from the ice storage container, do not slam the freezer compartment drawer shut.

6.10 Camera

Each time the door is closed, the cameras take a photo of the refrigerator compartment, the cool-fresh compartment and the inside of the refrigerator compartment doors. You can call up the photos using the Home Connect app and a mobile device. Activating the cameras → Page 15

Note: Close the appliance door slowly so that the cameras are able to take high-quality photos. If you close the appliance door too quickly, the photos may be blurred. The photos may also be unclear if the camera is dirty.

→ "Cleaning the camera", Page 25

6.11 Odor filter

The odor filter filters odors in the refrigerator compartment and can be replaced if required.

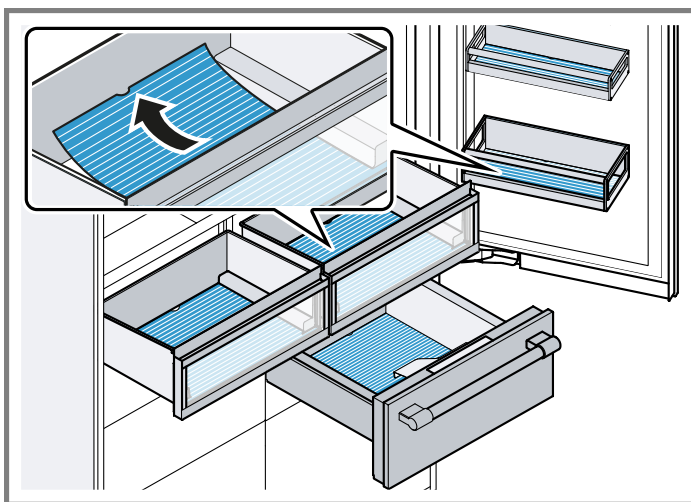
→ "Replacing the odor filter", Page 26

6.12 Accessories

Only use genuine accessories. These are designed especially for your appliance.
The accessories for your appliance depend on the model.

Anti-slip mat

The anti-slip mat prevents bottles and food from slipping. Condensation may form on the anti-slip mat depending on the type and quantity of food stored. Where necessary, remove the anti-slip mat and wipe away the condensation with a dry cloth.



Ethylene absorber

For important safety instructions and information about installation and use, see the enclosed installation instructions for the ethylene absorber.

The ethylene absorber slows down the ripening of ethylene-sensitive fruit and vegetables to keep them fresher for longer.

Installing the ethylene absorber

- ▶ Install the ethylene absorber in accordance with the installation instructions for the ethylene absorber.

Using the refill set

1. Install the components of the refill set in accordance with the installation instructions for the ethylene absorber.
2. Replace the bags at least every 6 months after resetting.

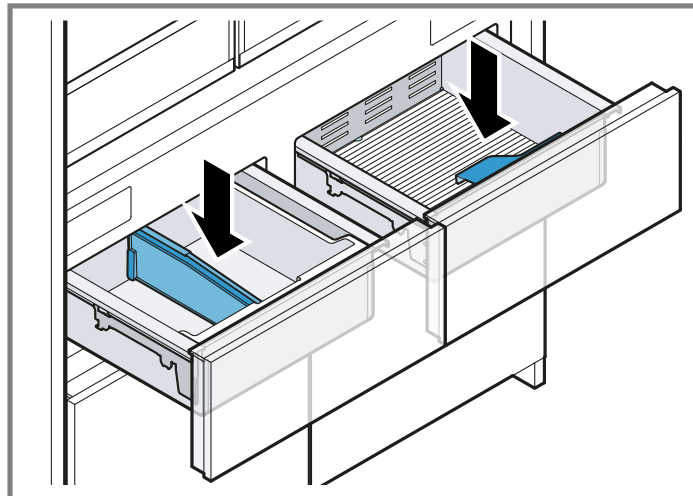
Note: Refill sets can be purchased from customer service or our website.

Ice scoop

You can use the ice scoop to remove a portion of ice cubes.

Tip

Place the ice scoop in the variable-temperature container or on the container divider.



7 Before using the appliance for the first time

7.1 Performing initial start-up

Requirements

- The appliance is installed in accordance with the enclosed installation instructions.
 - The appliance is connected to the electricity supply. → Page 8
1. Switch on the appliance at the main switch. → "Appliance", Fig. 1/13, Page 10
 2. Close the appliance doors, wait 3 minutes and reopen them.
 3. Select a language.
 4. Check the water connection and the water output.
 5. Select one of the options:
 - To set up Home Connect®, touch "Connect Now" and follow the instructions on the display.
 - To manually set the time, date and temperature unit, touch "Manual Set-Up" and follow the instructions on the display.
 - Press "Install Now" to start the ethylene absorber installation and follow the instructions on the display.
 - To directly access the start screen, touch "Skip".
- ✓ The initial start-up is complete.

8 Basic Operation

8.1 Switching on the appliance

1. Switch on the appliance at the main switch. → "Appliance", Fig. 1/13, Page 10
- ✓ The appliance begins to cool.
2. Set the desired temperature. → Page 14

8.2 Operating tips



- Once you have switched on the appliance, the set temperature is only reached after several hours. Do not put any food in the appliance until the set temperature has been reached.
- The front and side panels of the housing heat up occasionally. This prevents condensation from forming.
- When closing the door, make sure that the door is not blocked by stored items.
- When you close the door, a vacuum may be created. The door is then difficult to open again. Wait a moment until the vacuum is offset.
- The temperature in the appliance varies due to the following conditions:
 - How often the appliance is opened
 - Load capacity
 - Temperature of newly stored food
 - Ambient temperature
 - Direct sunlight



8.3 Switching off the appliance

- ▶ Switch off the appliance at the main switch.
→ "Appliance", Fig. 1/13, Page 10

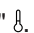
8.4 Setting the temperature

Setting the refrigerator compartment temperature



1. Touch the temperature display (refrigerator compartment).
2. Touch / repeatedly until the temperature display (refrigerator compartment) shows the desired temperature setting.



Tip: When you press and hold /, the temperature changes by 1° per second until you release it. The recommended temperature in the refrigerator compartment is 37 °F (3 °C).

Setting the recommended refrigerator compartment temperature

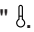
1. Touch the temperature display (refrigerator compartment).
 2. Touch "Set to Default" .
- ✓ The refrigerator compartment temperature is set to 37 °F (3 °C).

Setting the freezer compartment temperature

1. Touch the temperature display (freezer compartment).
2. Touch / repeatedly until the temperature display (freezer compartment) shows the desired temperature setting.

Tip: When you press and hold /, the temperature changes by 1° per second until you release it. The recommended temperature in the freezer compartment is 0 °F (–18 °C).

Setting the recommended freezer compartment temperature



1. Touch the temperature display (freezer compartment).
 2. Touch "Set to Default" .
- ✓ The freezer compartment temperature is set to 0 °F (–18 °C).

8.5 Cool-fresh compartment storage setting

You can set the temperature and humidity of the cool-fresh container using predefined storage settings.

Tip: Further settings are available in the Home Connect® app.

Setting the cool-fresh compartment storage setting



1. Touch the required cool-fresh compartment storage setting.
2. Touch "More Options" .
3. Touch the required storage setting and confirm using .

8.6 Keylock

The button lock prevents the appliance from being operated accidentally or incorrectly while running.

Note: You can permanently activate or deactivate the automatic button lock. → Page 15

Switching on the keylock

- ▶ Press and hold  for 2 seconds.
- ✓  lights up.

Switching off the keylock



- ▶ Press and hold  for 2 seconds.

8.7 Storage setting in the variable-temperature compartment


You can set the temperature of the variable-temperature compartment using predefined storage settings on the control panel on the appliance or on the control panel of the variable-temperature compartment.

Tip: Further settings are available in the Home Connect® app.

Setting the variable-temperature compartment

1. Touch the storage setting for the variable-temperature compartment.
2. Touch "More Options" .
3. Touch the required storage setting and confirm using .

Setting the control panel (variable-temperature compartment)

1. In the control panel (variable-temperature compartment), touch and hold  **Unlock** until the light bar lights up fully.

2. Touch the storage setting that you desire.

9 Basic settings

9.1 Changing the basic settings

1. Swipe to "Settings".
- ✓ "General" lights up.
2. Touch and change the desired basic setting.

9.2 Overview of the basic settings

Here you can find an overview of the basic settings and factory settings. The basic settings depend on the features of your appliance.

"General"

Setting	Selection	Description
Connectivity/WiFi	See the information on the display. More Options Connect Now	Displays the Wi-Fi status. → <i>Page 19</i> Displays the Home Connect® settings. Set up Home Connect®. → <i>Page 18</i>
Cameras		Switch the cameras on or off. → <i>"Camera", Page 12</i>
Language	English Español Français	Select the menu language.
Units	Fahrenheit Celcius	Set the temperature unit.

"Special Modes"

Setting	Selection	Description
Normal Mode	Normal Mode	Switch standard mode on or off.
Shopping	Shopping	Switch shopping mode on or off. → <i>"Shopping mode", Page 17</i>
Sabbath	Sabbath	Switch Sabbath mode on or off. Select a preset time and follow the instructions on the display. → <i>"Sabbath mode", Page 17</i> Tip: You can adjust the preset times.
Eco	Eco	Switch energy-saving mode on or off. → <i>"Energy-saving mode", Page 17</i>
Vacation	Vacation	Switch vacation mode on or off. → <i>"Vacation mode", Page 17</i>

"Display"

Setting	Selection	Description
Display Brightness	Auto Manual	Switch the automatically set display lighting on or off. Set the display lighting from 20% to 100% .
Automatic Display Lock		Activate or deactivate the automatic keylock.

"Audio"

Setting	Selection	Description
Display Volume	▼/▲	Set the display volume from 0 to 8.
Notification Volume	▼/▲	Set the volume of the notification sounds from 0 to 8.

"Lighting"

Setting	Selection	Description
Interior Lights	Auto Manual ▼/▲	Switch the automatically set brightness of the interior lighting on or off. → "Interior lighting", Page 17 Set the brightness of the interior lighting from 20% to 100%.
Light Guidance	○/●	Switch the lighting assistant on or off.
Theatre Lighting	○/●	Switch the theater lighting on or off.

10 Additional functions

Find out which additional functions can be used for your appliance. Additional functions can be set via the Home Connect® app.

10.1 Super cooling

With Super cooling, the refrigerator compartment cools as cold as possible.

Switch on Super cooling before placing large quantities of food in the refrigerator compartment.

Note: When Super cooling is switched on, increased noise may occur.

Switching on Super cooling

1. Touch the temperature display (refrigerator compartment).
 2. Touch "Super Cool" ✕ "Off".
- ✓ ✕ "On" lights up on the temperature display (refrigerator compartment).

Note: After approximately 6 hours, the appliance switches to normal operation.

Switching off Super cooling

1. Touch the temperature display (refrigerator compartment).
 2. Touch "Super Cool" ✕ "Off".
- ✓ ✕ "On" goes out on the temperature display (refrigerator compartment).
- ✓ The previously set temperature is displayed.

10.2 Automatic Super freezing

With automatic Super freezing, the freezer compartment cools down to a much lower temperature than in normal mode. This freezes food more quickly.

The automatic Super freezing switches on if you place fresh food in the suspended frozen food container, starting from the right-hand side.

If the automatic Super freezing is switched on, ✱ lights up and increased noise may occur.

After operation, the appliance switches from automatic Super freezing to normal operation.

Note: You can find out how to activate and deactivate automatic Super freezing in the service settings.

→ Page 20

Canceling automatic Super freezing

1. Touch the temperature display (freezer compartment).
 2. Touch ✱ "On".
- ✓ ✱ "On" goes out on the temperature display (freezer compartment).
- ✓ The previously set temperature is displayed.

10.3 Manual Super freezing

With Super freezing, the freezer compartment cools as cold as possible.

Switch on Super freezing 4 to 6 hours before placing food weighing 4.4 lbs (2 kg) or more into the freezer compartment.

Use Super freezing to accelerate ice cube production.

Note: When Super freezing is switched on, increased noise may occur.

Switching on manual Super freezing

1. Touch the temperature display (freezer compartment).
 2. Touch "Super Freeze" ✱ "Off".
- ✓ ✱ "On" lights up on the temperature display (freezer compartment).

Note: After approximately 8 hours, the appliance switches to normal operation.

Switching off manual Super freezing

1. Touch the temperature display (freezer compartment).
 2. Touch "Super Freeze" ❄ "Off".
- ✓ ❄ "On" goes out on the temperature display (freezer compartment).
 - ✓ The previously set temperature is displayed.

10.4 Shopping mode

Switch on the "Shopping Mode" before you go shopping for food.

The "Shopping Mode" switches Super cooling and Super freezing on at the same time.

Note: You can find out how to switch on shopping mode in the basic settings. → *Page 15*

10.5 Vacation mode

If you are going to be away for a long time, you can switch on energy-saving vacation mode on the appliance.

CAUTION

The refrigerator compartment heats up while the vacation mode is switched on. The increased temperature may cause bacteria to increase and spoil the food.

- ▶ When the vacation mode is switched on, do not store any food in the refrigerator compartment.

The appliance automatically sets the temperatures.

Refrigerator compartment	58 °F (14 °C)
Cool-fresh compartment	Temperature remains unchanged
Freezer compartment	Temperature remains unchanged
Variable-temperature compartment	Temperature remains unchanged

Notes

- While the vacation mode is activated, the ice cube production and the water dispenser are switched off.
- You can find out how to switch on vacation mode in the basic settings. → *Page 15*

10.6 Energy-saving mode

You can set the appliance to save energy with the energy-saving mode.

The appliance automatically sets the temperatures.

Refrigerator compartment	43 °F (6 °C)
Cool-fresh compartment	32 °F (0 °C)
Freezer compartment	6 °F (-14 °C)
Variable-temperature compartment	Temperature remains unchanged

Temperatures above 0 °F (-18 °C) reduce the shelf life of food. Use energy-saving mode for short-term storage of food.

Note: You can find out how to switch on energy-saving mode in the basic settings. → *Page 15*

10.7 Interior lighting

You can switch the interior lighting off or set the brightness.

Note: You can find out how to set the brightness of the interior lighting in the basic settings. → *Page 16*

10.8 Sabbath mode

To ensure that you can also use the appliance on the Sabbath, the Sabbath mode switches off all non-essential functions.

During Sabbath mode, the following functions are switched off:

- Super cooling
- Automatic Super freezing and manual Super freezing
- Alarm
- Water dispensing
- Ice cube production
- Interior lighting
- Audible signals
- Messages on the control panel

Notes

- The brightness of the control panel lighting is reduced during the Sabbath mode.
- You can find out how to switch on Sabbath mode in the basic settings. → *Page 15*

11 Alarm

11.1 Door alarm

If the appliance door is open for a while, the door alarm switches on.

A warning tone sounds and a 🔔 "Door Alarm" appears.

Switching off the door alarm

- ▶ Close the appliance door or touch "Mute Alarm".
- ✓ The warning tone is switched off.

11.2 Temperature alarm

If the freezer compartment becomes too warm, the temperature alarm will switch on.

A warning tone sounds and 🔔 "Freezer High Temp. Alarm" lights up.

CAUTION

During the thawing process, bacteria may multiply and spoil the frozen food.

- ▶ Do not refreeze partly or completely thawed food.
- ▶ Refreeze food only after cooking.

- ▶ The frozen items should no longer be stored for the maximum storage period.

The temperature alarm can be switched on in the following cases:

- The appliance is switched on.
Do not store any food until the appliance has reached the set temperature.
- Large quantities of fresh food are being placed inside.
Switch on Super freezing before placing large quantities of food in the appliance.
- The freezer compartment door is open for too long.
Check whether the frozen food has defrosted or thawed.

Switching off the temperature alarm

- ▶ Touch "Yes, see highest temp." and use "OK" to confirm.
- ✓ The warning tone is switched off.
- ✓ The display indicates the warmest temperature reached in the freezer compartment. The display will then indicate the set temperature again.
- ✓ From this time on, the warmest temperature is recalculated and saved.

12 Home Connect®

This appliance is network-capable. Connecting your appliance to a mobile device lets you control its functions via the Home Connect® app.

The Home Connect® services are not available in every country. The availability of the Home Connect® function depends on the availability of Home Connect® services in your country. You can find information on this at: www.home-connect.com.

To be able to use Home Connect®, you must first set up the connection to the WLAN home network (Wi-Fi ¹) and to the Home Connect® app.

After switching on the appliance, wait at least 2 minutes until internal device initialization is complete. Only then should you set up Home Connect®.

The Home Connect® app guides you through the entire registration process. Follow the instructions in the Home Connect® app to implement the settings.

Tip: Follow the instructions in the Home Connect® app as well.

Notes

- Also note the safety information in this instruction manual and ensure that it is also observed when operating the appliance using the Home Connect® app.
→ "Safety", Page 4
- Operating the appliance on the appliance itself always takes priority. It is not possible to operate the appliance using the Home Connect® app during this time.

12.1 Setting up the Home Connect® app

1. Install the Home Connect® app on your mobile device.
2. Start the Home Connect® app and set up access for Home Connect®.

The Home Connect® app guides you through the entire registration process.

12.2 Setting up Home Connect®

Requirement: The appliance receives signals from the WLAN home network (Wi-Fi) at its installation location.

1. Scan the following QR code.



You can install the Home Connect® app and connect your appliance via the QR code.

2. Follow the instructions in the Home Connect® app.

12.3 Remote Diagnostics

Customer Service can access your appliance via Remote Diagnostics if you ask them to do so, provided your appliance is connected to the Home Connect® server and Remote Diagnostics is available for your appliance and country. For more information on Remote Diagnostics' availability in your country, visit the Service/Support section of your local website: www.home-connect.com. Please be aware that while Remote Diagnostics can assist in troubleshooting select issues, there may be instances where an on-site service visit is required if the problem cannot be resolved remotely.

12.4 Data Protection

Please read this information on data protection.

The first time your appliance is registered on a home network connected to the Internet, your appliance transmits the following types of data to the Home Connect® server (initial registration):

- Unique appliance identification (consisting of appliance codes as well as the MAC address of the installed Wi-Fi communication module).
- Security certificate of the Wi-Fi communication module (to ensure a secure data connection).
- The current software and hardware version of your home appliance.

¹ Wi-Fi is a registered trade mark of the Wi-Fi Alliance.

- Status of any previous reset to factory settings.


This initial registration prepares the Home Connect® functions for use and is only required when you want to use the Home Connect® functions for the first time.

Notes

- Please note that the Home Connect® functions can only be used in conjunction with the Home Connect® app. Information on data protection can be retrieved in the Home Connect® app.
- It is possible that users, persons or spaces outside of the appliance may be captured by the cameras and therefore displayed in the Home Connect® app. Such photos are processed in the Home Connect® system for the purpose of provision in the Home Connect® app. Information on data processing can be retrieved in the Home Connect® app.

12.5 Status of the Home Connect® connection

This is where you will find an overview of the status of the Home Connect® connection.

Symbol	Description
	The appliance is connected to the Home Connect® app.

13.2 Overview of the service settings




This is where you can find an overview of the service settings.

"Application Info"

Setting	Selection	Description
See the information on the display.	E-Number: Production Date: // Z-Number: Serial Number:	Displays information about your appliance.

"Filter Management"

Setting	Selection	Description
Water Filter	See the information on the display. Reset	Displays the water filter status. Follow the instructions on the display and reset the water filter status.
Ethylene Absorber	See the information on the display. Install Reset Remove	Displays the ethylene absorber status. Install the ethylene absorber. Reset the status of the ethylene absorber. Remove the ethylene absorber. → "Ethylene absorber", Page 13
Air Filter	See the information on the display.	The air filter is designed to last for the lifetime of your appliance.

Symbol	Description
	The appliance is not connected to the Home Connect® app.
	The appliance is not connected to the Wi-Fi home network.
	The remote diagnostics is activated.

13 Service settings

You can implement various service settings.

13.1 Changing service settings

1. Swipe to "Service".
- ✓ "Application Info" lights up.
2. Touch and change the desired service setting.




"How-To Guides"

Setting	Selection	Description
See the information on the display.	How to restart my appliance. How to change my water filter. How to change my ethylene absorber.	Shows the step-by-step instructions on the display. Touch the required instruction and follow the instructions on the display.

"Customer Service"

Setting	Selection	Description
24/7 Customer Service	See the information on the display.	Displays the Customer Service telephone number. Scan the QR code in order to access the Customer Service website.

"Advanced Service"

Setting	Selection	Description
Time & Date	See the information on the display. Auto-adjust 	Follow the instructions on the display and set the time and date. Switch the automatically set time and date on or off. Note: "Auto-adjust" is only available if Home Connect® is set up.
Auto-Super		Activate or deactivate the automatic Super freezing. → <i>"Automatic Super freezing", Page 16</i>
Factory Reset	Reset Now	Reset the appliance to the factory settings.
Demo Mode		Switch demo mode on or off. The appliance does not cool in demo mode. Note: Demo mode is only available for a limited time after the appliance is switched on.

14 Refrigerator compartment

You can keep dairy products, eggs, prepared meals, pastries, open preserves and hard cheese in the refrigerator compartment.

The temperature can be set from 33 °F (1 °C) to 43 °F (6 °C).

The refrigerator compartment can also be used to store highly perishable foods in the short to medium term. The lower the selected temperature, the longer the food remains fresh.

14.1 Tips for storing food in the refrigerator compartment

- Only store food when fresh and undamaged.
- Store food covered or in air-tight packaging.
- To avoid impeding the circulation of air and to prevent food from freezing, do not place food in front of the inner ventilation openings or in direct contact with the back wall.

- Allow hot food and drinks to cool down first before placing in the appliance.
- Observe the best-before date or expiration date specified by the manufacturer.

14.2 Chill zones in the refrigerator compartment

The air recirculation cooling system allows the air to circulate evenly in the refrigerator compartment and ensures a constant temperature at all shelves.

Coldest zone

The coldest zone is in the bottom area at the back panel.

Tip: Store highly perishable food such as fish, sausages and meat in the cool-fresh compartment or in the variable-temperature compartment.

→ *"Cool-fresh compartment", Page 21*

→ *"Variable-temperature compartment", Page 21*




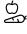



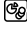

15 Cool-fresh compartment

In the cool-fresh compartment, you can keep fresh food fresh up to three times longer than in the refrigerator compartment.


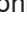
The temperature can be set from 32 °F (0 °C) to 37 °F (3 °C) using pre-defined storage settings.

Storing food in the cool-fresh compartment retains the quality of the food better. The low temperature and the optimum moisture provide ideal storage conditions for fresh food.

15.1 Storage recommendations for the cool-fresh compartment

Storage setting	Food
 Beverage	Drinks
 Vegetable	Vegetables
 Fruit	Fruit
 Variety	Mixed load with fruit and vegetables
 Fish	Fish and seafood
 Deli	Gourmet food
 Cheese	Cheese and dairy products
 Charcuterie	Gourmet food, cheese and dairy products
 Meat	Meat and sausage

Tip: Fruit, vegetables, drinks and snacks may freeze below 32 °F (0 °C).

Use the  and  storage settings for "Meat" and "Fish" only.

16 Freezer compartment

You can store frozen food, freeze food and make ice cubes in the freezer compartment.

The temperature can be set from 6 °F (-14 °C) to -7 °F (-22 °C).

Long-term storage of food should be at 0 °F (-18 °C) or lower.

The freezer compartment can be used to store perishable foods long-term. The low temperatures slow down or stop the spoilage.

16.1 Tips for storing food in the freezer compartment

- Store food in air-tight packaging.
- Do not bring food which is to be frozen into contact with frozen food.
- Distribute the food over a wide area in the suspended frozen food container.

16.2 Tips for freezing fresh food

- Freeze fresh and undamaged food only.

- Freeze food in portions.
- Cooked food is more suitable for freezing than food that can be eaten raw.
- Vegetables: Wash, chop up and blanch before freezing.
- Fruit: Wash, pit and perhaps peel, possibly add sugar or ascorbic acid solution.
- Food that is suitable for freezing includes baked items, fish and seafood, meat, game, poultry, eggs without shells, cheese, butter and curd cheese, prepared meals and leftovers.
- Food that is unsuitable for freezing includes lettuce, radishes, eggs in shells, grapes, raw apples and pears, yogurt, sour cream, crème fraîche and mayonnaise.

Packing frozen food

If you select suitable packaging material and the correct type of packaging, you can determine the product quality and prevent freezer burn.

1. Place the food in the packaging.
2. Squeeze out the air.
3. Pack food airtight to prevent it from losing flavor or drying out.
4. Label the packaging with the contents and the date of freezing.

16.3 Defrosting methods for frozen food

CAUTION

During the thawing process, bacteria may multiply and spoil the frozen food.

- ▶ Do not refreeze partly or completely thawed food.
 - ▶ Refreeze food only after cooking.
 - ▶ The frozen items should no longer be stored for the maximum storage period.
- Defrost animal-based food, such as fish, meat, cheese, curd cheese, in the refrigerator compartment.
 - Defrost bread at room temperature.
 - Prepare food for immediate consumption in the microwave, in the oven, or on the cooktop.

17 Variable-temperature compartment

You can use the variable-temperature compartment as a refrigerator compartment and store food using predefined storage settings. Or you can use the variable-temperature compartment as a freezer compartment and softly freeze food at lower temperatures.

The temperature can be set from 0 °F (-18 °C) to 39 °F (4 °C) using pre-defined storage settings.

17.1 Storage recommendations in the variable-temperature compartment

This is where you can find out which storage setting you can use in the variable-temperature compartment.

Storage setting	Food
❄ Freezer	See Freezer compartment → Page 21
🍷 Soft Freeze	Soft freezing, e.g. meat, sausage, fish and pureed food
🍷 Fridge	See Refrigerator compartment → Page 20
🍷 Beverage	Drinks
🍷 Meat/Fish	Meat and fish
🍷 Deli/Cheese	Gourmet food, cheese and dairy products
🍷 Pastry	Cakes and other baked goods

18 Water system

Your appliance is equipped with water-carrying components.

The water system only works if a water filter or a bypass cap is installed.

Switch off ice cube production before disconnecting the appliance from the drinking water connection. → Page 24

18.1 Water filter

The water filter filters particles and the taste of chlorine out of the water.

The water filter reduces further contamination, e.g. from chloramines, lead and pharmaceutical products.

Note: The water filter does not filter bacteria or microbes out of the water.

Change the water filter:

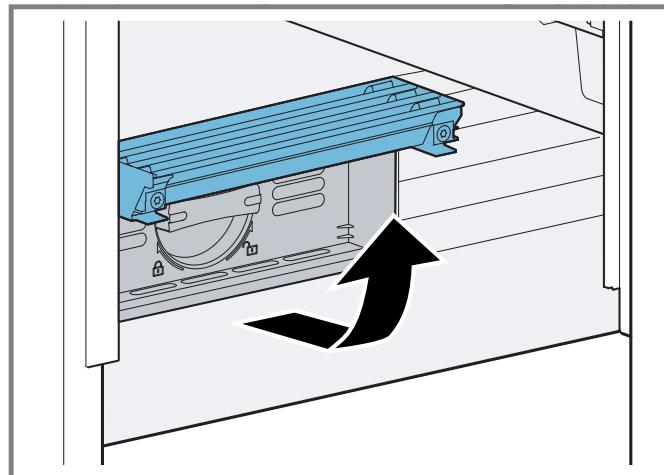
- Every 6 months.
- If 🍷 "Filter is expired." lights up.
- If the water output has visibly reduced.
- If ice cube production has visibly reduced.

Tips

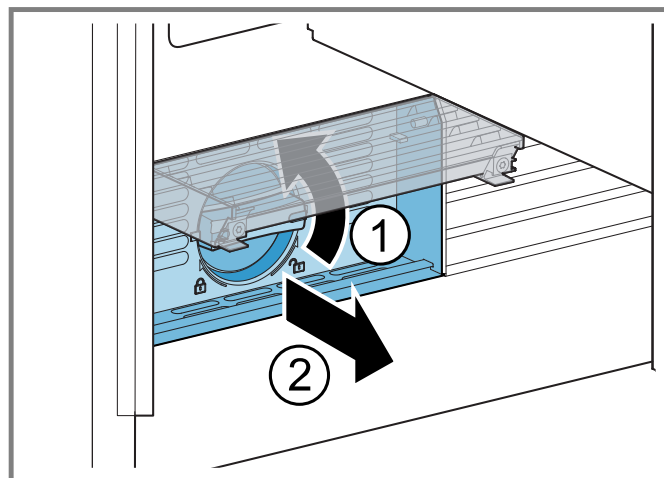
- A new water filter can be purchased from our customer service, your dealer or our website.
- If you do not want to use a water filter in your appliance or an external water filter system is installed, you can permanently replace the water filter with a bypass cap. The bypass cap filters only large particles out of the water and can be cleaned as required. A bypass cap can be purchased from customer service or our website.

Changing the water filter or replacing it with a bypass cap

1. Hinge the filter cover upwards.



2. Turn the water filter counterclockwise by 90° ① and remove it ②.
 - Remove the water filter with care as it is under pressure.



Note: When removing it, a small amount of water may drip out of the water filter. Remove the drips of water with a dry cloth.

Tip: You can dispose of the old water filter with your household garbage.

3. Insert the new water filter or the bypass cap all the way in the filter opening and turn it 90° clockwise.
4. Close the filter cover.
5. Discard the ice cubes produced during the first 24 hours, and dispense water for 5 minutes and discard.

18.2 Water dispenser

Dispense cold water via the water dispenser.

Putting the water dispenser into operation

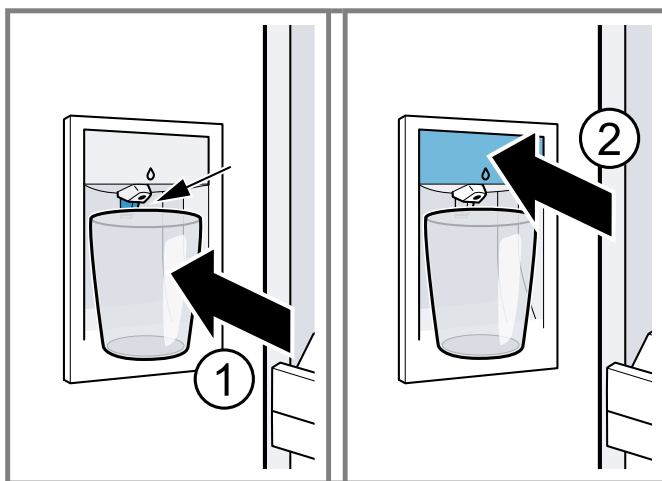
Note: Once the appliance has been connected or a new water filter has been installed, there will be air in the water system.

Requirement: The appliance is connected to the drinking water connection.

1. Keep dispensing water until it contains no more air bubbles.
Remove any splashes of water with a dry cloth.
2. For hygiene reasons, dispense water for 5 minutes and discard.

Dispensing water

- ▶ Press and hold the glass against the dispensing button ① or hold the glass under the water dispenser and press \hat{O} ②.



Notes

- After a while of continuous dispensing, the water stops being dispensed. Wait a few seconds before dispensing water again.
- After water has been dispensed several times consecutively, water stops being dispensed. Wait a few minutes before dispensing water again.

Water dispenser keylock

The button lock prevents the water dispenser from being operated accidentally or incorrectly while running.

Switching on the water dispenser keylock

1. Swipe to Water.
 2. Press and hold Hold to unlock until the light bar lights up fully.
- ✓ Lock icon lights up.

Switching off the water dispenser keylock

1. Swipe to Water.

2. Press and hold Lock Water until the light bar lights up fully.
- ✓ The water capacity favorites light up.

Water capacity

Your appliance has 4 water capacities at the factory and these are stored as favorites on the display.

The predefined water capacities can be adjusted or deleted.

Removing a favorite

1. Swipe to Water.
2. Touch the desired favorite.
3. Hold a glass below the water dispenser and press and hold \hat{O} until the water capacity has been fully removed.

Saving new favorites

Note: Max. 6 water capacities can be stored.

1. Swipe to Water.
 2. Hold a glass below the water dispenser, and press and hold \hat{O} until the desired water capacity has been removed.
 3. Touch Save as Favourite.
 4. Touch the desired name.
 5. Touch the desired color.
 6. Touch \checkmark .
- ✓ The new favorite is saved.

Adjusting a favorite

1. Swipe to Water.
 2. Touch the desired favorite.
 3. Touch ✎ .
 4. Touch the desired name and confirm using \checkmark .
 5. Touch the desired color and confirm using \checkmark .
- ✓ The favorite is adjusted.

Deleting a favorite

1. Swipe to Water.
 2. Touch the desired favorite.
 3. Touch ✎ .
 4. Touch Delete favourite and use Yes, delete to confirm.
- ✓ The favorite is deleted.

18.3 Ice maker

Use the different functions of the ice cube maker to produce ice cubes.

⚠ WARNING

Rotating parts may cause injury.


- ▶ Never reach into or underneath the ice maker.

☑ Regular Ice	Ice cube production of small ice cubes
☑ Large Ice	Ice cube production of large ice cubes

Quick Ice

Accelerated ice cube production

Note: Quick Ice is only available if ice cube production is switched on.

Note: The ice cube maker automatically detects that the ice storage container is full and stops producing ice cubes. The display shows .

It may take up to 48 hours until the ice storage container is full.

Tip: If the ice cubes taste stale, dispose of the remaining ice cubes and the cubes produced over the next 24 hours. If the ice cubes still taste stale, change the water filter.


Putting the ice maker into operation**Notes**

- Ice cube production starts as soon as the appliance is switched on and the freezer compartment has reached the set temperature.
- As soon as the freezer compartment reaches the set temperature, the first batch of ice cubes will be ready in approximately 4 hours.


Requirement: The appliance is connected to the drinking water connection.

- ▶ For hygiene reasons, discard the ice cubes produced within the first 24 hours.

Switching on ice cube production

1. Touch the ice cube maker setting and confirm using .
2. Switch on the desired ice cube production.

Switching off ice cube production

1. Touch the ice cube maker setting and confirm using .
2. Switch off the desired ice cube production.

19 Defrosting**19.1 Defrosting in the refrigerator compartment**

The refrigerator compartment in your appliance defrosts automatically.

19.2 Defrosting in the cool-fresh compartment

The cool-fresh compartment in your appliance defrosts automatically.

19.3 Defrosting in the freezer compartment

The fully automatic NoFrost system ensures that the freezer compartment remains frost-free. Defrosting is not required.

19.4 Defrosting in the variable-temperature compartment

The variable-temperature compartment in your appliance defrosts automatically.

20 Cleaning and maintenance

To keep your appliance working efficiently for a long time, it is important to clean and maintain it carefully. Customer Service must clean inaccessible points. Cleaning by Customer Service can give rise to costs.

20.1 Care instructions for stainless steel surfaces

When taking care of and cleaning stainless steel surfaces, use only cleaning cloths and cleaning agents suitable for stainless steel.

Tips

- To prevent visible scratches, wipe the stainless steel surface in the direction of the grain.
- Suitable cleaning agents and cleaning cloths are available from our customer service, your dealer or on our website.

20.2 Preparing the appliance for cleaning

1. Switch off the appliance.
2. Disconnect the appliance from the power supply.
 - Unplug the appliance from the power source or switch off the circuit breaker in the fuse box.
3. Take out all of the food and store it in a cool place.
 - Place ice packs (if available) onto the food.
4. Remove all fittings and accessories from the appliance.

→ Page 25

20.3 Cleaning the appliance

⚠ WARNING

Moisture intrusion may cause an electric shock.

- ▶ Do not use any steam cleaners or high-pressure cleaners to clean the appliance.

NOTICE:

Unsuitable cleaning agents may damage the surfaces of the appliance.

- ▶ Do not use hard scouring pads or cleaning sponges.
 - ▶ Do not use strong or abrasive cleaning agents.
 - ▶ Do not use cleaning agents with a high alcohol content.
- If you clean fittings and accessories in the dishwasher, this may cause them to become deformed or discolor.
- ▶ Never clean fittings and accessories in the dishwasher.

1. Prepare the appliance for cleaning. → Page 24
2. Clean the appliance, the fittings, the accessories and the door seals with a dish cloth, lukewarm water and a little pH-neutral dishwashing liquid.
3. Dry thoroughly with a soft, dry cloth.
4. Insert the fittings.
5. Connect the appliance to the electricity supply.
→ Page 8
6. Switch on the appliance.
7. Put the food into the appliance.

20.4 Cleaning the camera

If the temperature or the air humidity changes, this may cause the camera lenses to steam up.

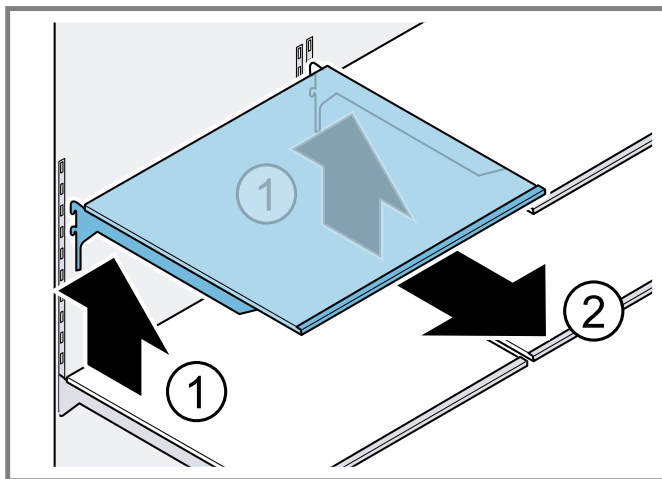
1. Clean the camera with a microfiber cloth.
2. Clean the camera lenses with a microfiber cloth and a commercially available rain deflector.

20.5 Removing the fittings

If you want to clean the fittings thoroughly, remove these from your appliance.

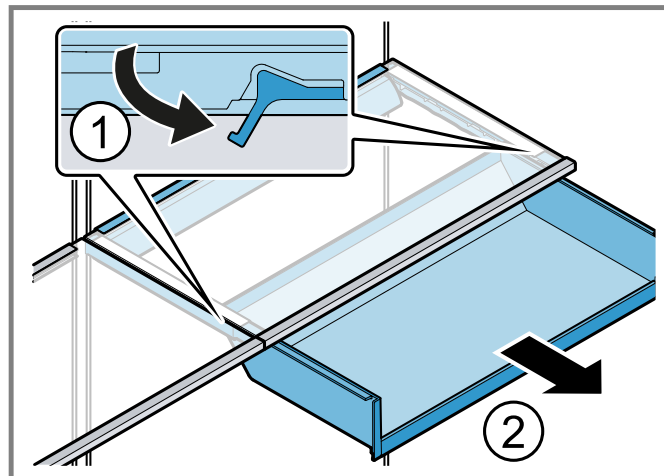
Removing the shelf

- ▶ Lift the shelf ① and remove it ②.



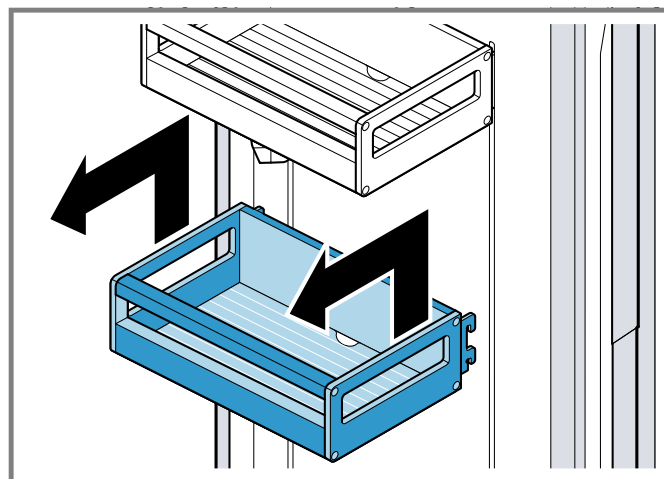
Removing the snack container

1. Pull the snack container out all the way.
2. Underneath the snack container on both sides, press the telescopic rail lock downwards ① and remove the snack container ②.



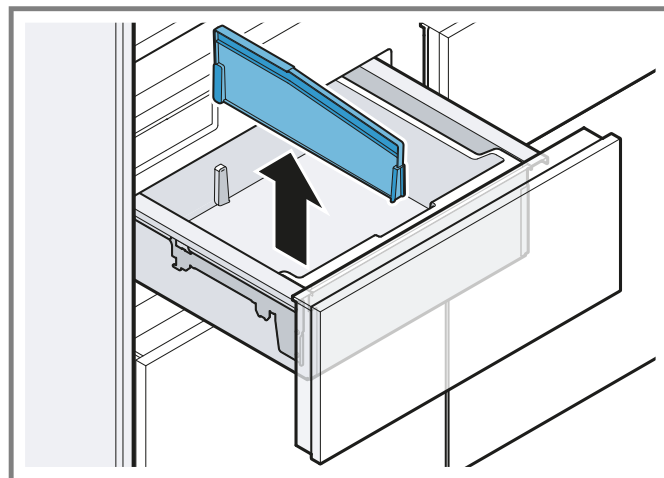
Removing the door tray

- ▶ Lift the door tray and remove it.



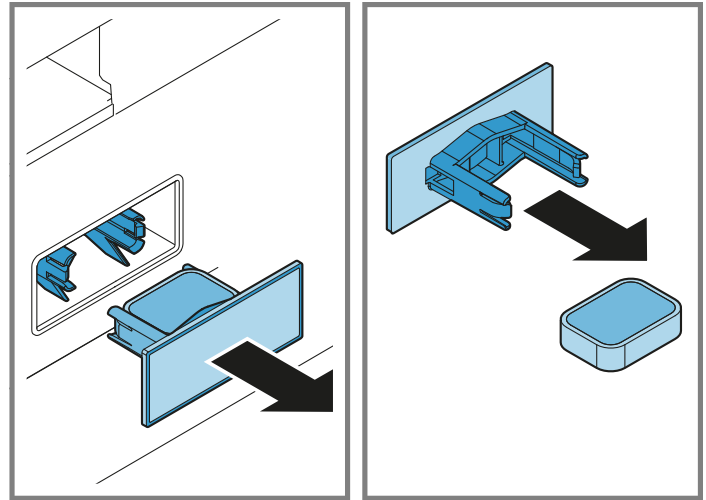
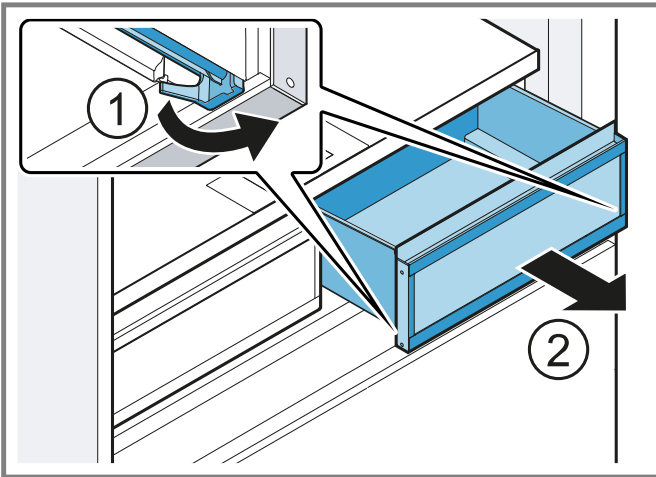
Removing the container divider

- ▶ Lift up the container divider and remove it.



Removing the cool-fresh container

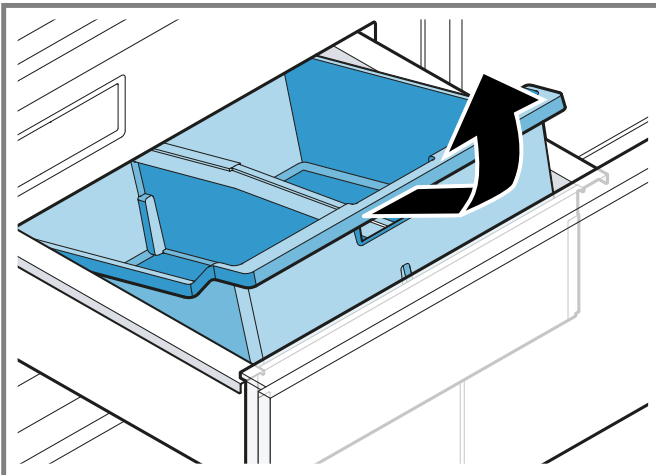
1. Pull the cool-fresh container out all the way.
2. Underneath the cool-fresh container on both sides, press the telescopic rail lock outwards ① and remove the cool-fresh container ②.



Note: A new odor filter can be purchased from our customer service or our website.

Removing the ice storage container

- ▶ Remove the ice storage container upwards.



20.6 Replacing the odor filter

1. Remove the odor filter holder.
2. Take the used odor filter out of the odor filter holder and replace it with the new odor filter.

21 Troubleshooting



You can eliminate minor issues on your appliance yourself. Please read the information on eliminating issues before contacting Customer Service. This may avoid unnecessary repair costs.

WARNING

To avoid risk of injury from improper repairs, observe the following.

- ▶ Only qualified technicians or authorized service providers should perform repairs.

- ▶ Only genuine spare parts may be used to repair the appliance.
- ▶ If the power cord or the appliance power cable of this appliance becomes damaged, it must be replaced with a special power cord or special appliance power cable, which is available from the manufacturer or the manufacturer's Customer Service.

Issue	Cause and troubleshooting
The appliance is not cooling, the displays and lighting are lit.	Showroom mode is switched on. <ol style="list-style-type: none"> 1. Swipe to "Service". 2. Touch "Advanced Service". 3. Touch "Demo Mode " .
The LED lighting does not work.	Various causes are possible. <ul style="list-style-type: none"> ▶ Call customer service. → "Customer Service", Page 30
The refrigeration unit is switching on more frequently and for longer.	The appliance has been opened frequently. <ul style="list-style-type: none"> ▶ Do not open appliance door unnecessarily. External ventilation openings are covered up. <ul style="list-style-type: none"> ▶ Remove any obstructions from in front of the external ventilation openings. Not a fault. Modern refrigeration machines switch on more frequently and have different power levels to cool more efficiently. <ul style="list-style-type: none"> ▶ Remove any obstructions from in front of the external ventilation openings. ▶ Install the appliance as far away as possible from heating elements, cookers and other heat sources. Avoid prolonged exposure of the appliance to direct sunlight. ▶ Only open the appliance door as briefly as necessary. ▶ Allow hot food and drinks to cool down first before storing in the appliance.
A layer of frost forms on the back wall of the refrigerator compartment.	Not a fault. Modern refrigeration machines ensure a more even temperature in the refrigerator compartment. The back wall of the refrigerator compartment is defrosted automatically at regular intervals. <ul style="list-style-type: none"> ▶ Only open the appliance door as briefly as necessary. ▶ Pack the food airtight or cover it. ▶ Allow hot food and drinks to cool down first before storing in the appliance. ▶ Always leave some space between the food and the interior walls.
Home Connect® is not working properly.	Various causes are possible. <ul style="list-style-type: none"> ▶ Go to www.home-connect.com.
The cameras do not take any photos.	The cameras are not activated in Home Connect. <ul style="list-style-type: none"> ▶ Activate the cameras. Cameras are not calibrated. <ol style="list-style-type: none"> 1. Switch off the appliance. 2. Disconnect the appliance from the power supply. Unplug the power plug or switch off the circuit breaker in the fuse box. 3. Reconnect the appliance after 5 minutes. 4. Use the main switch to switch the appliance on. → "Appliance", Fig. , Page 10 5. Close the appliance doors and wait for 3 minutes. 6. If the fault persists, call customer service. → Page 30

Issue	Cause and troubleshooting
The cameras take blurred photos.	<p>The appliance door was closed too quickly.</p> <ul style="list-style-type: none"> ▶ Close the appliance door slowly. <hr/> <p>The camera lenses are misted up. The appliance door was left open for too long.</p> <ol style="list-style-type: none"> 1. Clean the cameras. → <i>Page 25</i> 2. Do not leave the appliance door open for too long. <hr/> <p>The anti-mist film is damaged.</p> <ul style="list-style-type: none"> ▶ Call customer service. <p style="padding-left: 20px;">→ <i>"Customer Service", Page 30</i></p>
Photos are missing, are not cropped or show an incorrect angle.	<p>Cameras are not calibrated.</p> <ol style="list-style-type: none"> 1. Switch off the appliance. 2. Disconnect the appliance from the power supply. Unplug the power plug or switch off the circuit breaker in the fuse box. 3. Reconnect the appliance after 5 minutes. 4. Use the main switch to switch the appliance on. → <i>"Appliance", Fig. 1/13, Page 10</i> 5. Close the appliance doors and wait for 3 minutes. 6. If the fault persists, call customer service. → <i>Page 30</i>
A message with "D" or "E" appears on the display.	<p>The electronics have detected a fault.</p> <ol style="list-style-type: none"> 1. Switch off the appliance. 2. Disconnect the appliance from the power supply. Unplug the power plug or switch off the circuit breaker in the fuse box. 3. Reconnect the appliance after 5 minutes. 4. If the message still appears on the display, call Customer Service. → <i>"Customer Service", Page 30</i>
A warning tone sounds and "Door Alarm" appears. The door alarm is switched on.	<p>The appliance door is open.</p> <ul style="list-style-type: none"> ▶ Close the appliance door.
A warning tone sounds and "Freezer High Temp. Alarm" lights up. The temperature alarm is switched on.	<p>Various causes are possible.</p> <ol style="list-style-type: none"> 1. Touch "Yes, see highest temp." and use "OK" to confirm. ✓ The alarm is switched off. 2. After several hours, check whether the set freezer compartment temperature has been reached again. <hr/> <p>Large quantities of fresh food have been placed inside.</p> <ul style="list-style-type: none"> ▶ Do not exceed the freezing capacity.
The temperature differs greatly from the setting.	<p>Various causes are possible.</p> <ol style="list-style-type: none"> 1. Switch off the appliance. 2. Switch the appliance back on after approximately 5 minutes. <ul style="list-style-type: none"> – If the temperature is too warm, check the temperature again after a couple of hours. – If the temperature is too cold, check the temperature again on the following day.
Water is leaking out of the appliance.	<p>The water connection or water hose is not leak-tight.</p> <ul style="list-style-type: none"> ▶ Check if the water connections are fastened firmly and the water hose is undamaged. <p style="padding-left: 20px;">If necessary, replace the water hose.</p>

Issue	Cause and troubleshooting
Water output is reduced.	<p>Low water pressure.</p> <ul style="list-style-type: none"> ▶ Check the pressure of the water supply system or the external water filter system, e.g. reverse osmosis system. <p>Connect the appliance only to a water connection with sufficient water pressure. → <i>Page 7</i></p>
	<p>The water filter is blocked.</p> <ul style="list-style-type: none"> ▶ Change the water filter.
Water is dripping from the water dispenser.	<p>Air is in the water system.</p> <ul style="list-style-type: none"> ▶ Keep dispensing water until it contains no more air.
The water dispenser is not functioning.	<p>There is no water being supplied to the appliance.</p> <ul style="list-style-type: none"> ▶ Ensure that there is a water supply and that the shut-off valve on the water connection is open. <p>Contact an installer if necessary.</p>
	<p>Kink in the water hose.</p> <ul style="list-style-type: none"> ▶ Turn off the water supply and straighten the kink in water hose. <p>If necessary, replace the water hose.</p>
Ice cube production is low.	<p>The appliance has only recently been connected.</p> <ul style="list-style-type: none"> ▶ Wait approximately 4 hours until the first batch of ice cubes is ready. <p>The freezer compartment has been opened frequently or for an extended period of time.</p> <ul style="list-style-type: none"> ▶ Check ice cube production after a few hours.
	<p>Low water pressure.</p> <ul style="list-style-type: none"> ▶ Check the pressure of the water supply system or the external water filter system, e.g. reverse osmosis system. <p>Connect the appliance only to a water connection with sufficient water pressure. → <i>Page 7</i></p>
	<p>The water filter is blocked.</p> <ul style="list-style-type: none"> ▶ Change the water filter.
	<p>Food or objects are blocking the fill level sensor for the ice maker.</p> <ul style="list-style-type: none"> ▶ Remove all food and objects from the ice storage container.
	<p>Fault in the ice maker.</p> <ol style="list-style-type: none"> 1. Switch off the appliance. 2. Disconnect the appliance from the power supply. Unplug the power plug or switch off the circuit breaker in the fuse box. 3. Reconnect the appliance after 5 minutes. 4. If the fault persists, call customer service. → <i>Page 30</i>
The ice maker is not functioning.	<p>Ice cube production is switched off.</p> <ul style="list-style-type: none"> ▶ Switch on ice cube production. → <i>Page 24</i>
	<p>There is no water being supplied to the appliance.</p> <ul style="list-style-type: none"> ▶ Ensure that there is a water supply and that the shut-off valve on the water connection is open. <p>Contact an installer if necessary.</p>
	<p>Kink in the water hose.</p> <ul style="list-style-type: none"> ▶ Turn off the water supply and straighten the kink in water hose. <p>If necessary, replace the water hose.</p>
	<p>Fault in the ice maker.</p> <ol style="list-style-type: none"> 1. Switch off the appliance. 2. Disconnect the appliance from the power supply.

Issue	Cause and troubleshooting
The ice maker is not functioning.	Unplug the power plug or switch off the circuit breaker in the fuse box. 3. Reconnect the appliance after 5 minutes. 4. If the fault persists, call customer service. → <i>Page 30</i>
The appliance hums, bubbles, buzzes, gargles, clicks, crackles or rumbles.	Not a fault. A motor is running, e.g. refrigerating unit, fan. Refrigerant is flowing through the pipes. The motor, switches, solenoid valves or water valves are switching on or off. Automatic defrosting is running. Ice cubes fall into the ice storage container. No action required.
The appliance makes noises.	The appliance is not level. ▶ Align the appliance using a bubble level and the screw feet. Fittings wobble or stick. ▶ Check the removable fittings and, if required, replace these. Bottles or containers are touching. ▶ Move the bottles or containers away from each other. Super freezing is switched on. No action required.

21.1 Power failure

During a power failure, the temperature in the appliance rises; this reduces the storage time and the quality of the frozen food.

Notes

- Open the appliance as little as possible during a power failure and do not place any other food in the appliance.
- Check the quality of the food immediately after a power failure.
 - Dispose of any frozen food that has defrosted and is warmer than 41 °F (5 °C).
 - Cook or fry slightly thawed frozen food, and then either consume it or freeze it again.

22 Storage and disposal

22.1 Taking the appliance out of operation

1. Switch off the appliance.
2. Disconnect the appliance from the power supply.
Unplug the appliance from the power source or switch off the circuit breaker in the fuse box.
3. Disconnect the appliance from the drinking water connection.
4. Remove all of the food.
5. Remove the water filter.
6. Clean the appliance. → *Page 25*
7. To ensure the ventilation inside the appliance, leave the appliance open.

22.2 Disposal of your old appliance

Environmentally compatible disposal allows valuable raw materials to be recycled.

WARNING

Children can lock themselves in the appliance, thereby putting their lives at risk.

- ▶ Remove the appliance doors.
- ▶ To prevent children from climbing in, leave shelves and containers in the appliance.
- ▶ Keep children away from the discarded appliance.

WARNING

If the tubes are damaged, flammable refrigerant and harmful gases may escape and ignite.

- ▶ Do not damage the tubes of the refrigerant circuit or the insulation.

1. Unplug the appliance from the power supply.
2. Cut through the power cord.
3. Remove the appliance doors.
4. Dispose of the appliance in an environmentally responsible manner.

Information about current disposal methods can be obtained from your specialist dealer or local authority.

23 Customer Service

With any warranty repair, we will make sure your appliance is repaired by an authorized service provider using genuine replacement parts. We use only genuine replacement parts for all repairs.

Detailed information on the warranty period and terms of warranty can be found in the Statement of Limited Product Warranty, from your retailer, or on our website.

If you contact Customer Service, you will need the model number (E-Nr.), the production number (FD) and the consecutive numbering (Z-Nr.) of your appliance.

USA:

1-800-735-4328

www.thermador.com/support

www.thermador.com/us/accessories

CA:

1-800-735-4328

www.thermador.ca

www.thermador.ca/en/support/filters-cleaners-accessories

For assistance with connecting to Home Connect®, you can also view instructions here:

www.home-connect.com/us/en/help-support/set-up

23.1 Model number (E-Nr.), production number (FD) and consecutive numbering (Z-Nr.)

You can find the model number (E-Nr.), the production number (FD) and the consecutive numbering (Z-Nr.) on the appliance's rating plate.

→ "Appliance", Fig. **1/16**, Page 10

Making a note of your appliance's details and the Customer Service telephone number will enable you to find them again quickly.

24 Technical specifications

Refrigerant, cubic capacity and further technical specifications can be found on the rating plate.

→ "Appliance", Fig. **1/16**, Page 10

24.1 Information regarding Free and Open Source Software

This product includes software components that are licensed by the copyright holders as free or open source software.

The applicable license information is stored on your home appliance. You can also access the applicable license information via your Home Connect® app: "Profile -> Legal information -> License Information".¹ You can download the license information on the brand product website. (Please search on the product website for your appliance model and additional documents). Alternatively, you can request the relevant information from ossrequest@bshg.com or BSH Hausgeräte GmbH, Carl-Wery-Str. 34, 81739 Munich, Germany.

The source code will be made available to you on request. Please send your request to ossrequest@bshg.com or BSH Hausgeräte GmbH, Carl-Wery-Str.34, 81739 Munich, Germany.

Subject: „OSSREQUEST“

The cost of performing your request will be charged to you. This offer is valid for three years from the date of purchase or at least as long as we offer support and spare parts for the relevant appliance.

¹ Depending on the appliance specifications

Pour plus d'informations, veuillez vous reporter au Guide de l'utilisateur numérique.



Table des matières

1 Sécurité	34	8 Opération de base	45
1.1 Définitions des termes de sécurité	34	8.1 Allumer l'appareil.....	45
1.2 Indications générales	34	8.2 Remarques concernant le fonctionnement de l'appareil.....	45
1.3 Conformité d'utilisation.....	34	8.3 Éteindre l'appareil.....	45
1.4 Restrictions au cercle d'utilisateurs	34	8.4 Régler la température.....	45
1.5 Transport sûr.....	34	8.5 Paliers du compartiment fraîcheur.....	45
1.6 Installation sûre.....	34	8.6 Verrouillage des touches	45
1.7 Utilisation sûre	35	8.7 Réglage de palier du compartiment à température variable	46
1.8 Appareil endommagé.....	36	9 Réglages de base	46
1.9 Mises en garde conformément à la proposition 65 de l'État de Californie	37	9.1 Modifier les réglages de base.....	46
2 Prévenir les bris matériels	38	9.2 Vue d'ensemble des réglages de base.....	46
3 Protection de l'environnement et économies	38	10 Fonctions additionnelles	47
3.1 Mise au rebut de l'emballage	38	10.1 Super-réfrigération	47
3.2 Économiser de l'énergie.....	38	10.2 Super-congélation automatique.....	48
4 Installation et branchement	39	10.3 Fonction Super-congélation manuelle	48
4.1 Contenu de livraison	39	10.4 Mode Achat.....	48
4.2 Critères pour le lieu d'installation.....	39	10.5 Mode Vacances	48
4.3 Monter l'appareil.....	39	10.6 Mode économie d'énergie	48
4.4 Préparer l'appareil pour la première utilisation	39	10.7 Éclairage intérieur	49
4.5 Brancher l'appareil au raccordement d'eau potable	39	10.8 Mode Sabbat.....	49
4.6 Raccordement électrique de l'appareil	39	11 Alarme	49
5 Description de l'appareil	40	11.1 Alarme de porte.....	49
5.1 Appareil.....	40	11.2 Alarme de température.....	49
5.2 Bandeau de commande	41	12 Home Connect®	49
5.3 Bandeau de commande (compartiment à température variable).....	42	12.1 Configurer l'application Home Connect®.....	50
6 Équipement	43	12.2 Configurer Home Connect®	50
6.1 Clayette.....	43	12.3 Diagnostic à Distance.....	50
6.2 Bac à snacks.....	43	12.4 Protection des données.....	50
6.3 Bac fraîcheur.....	43	12.5 État de la connexion Home Connect®.....	50
6.4 Récipient à température variable.....	43	13 Réglages de service	51
6.5 Séparateur de bac	43	13.1 Modifier des réglages de service	51
6.6 Bac tiroir à aliments congelés	43	13.2 Vue d'ensemble des réglages de service	51
6.7 Bac à produits congelés suspendu.....	43	14 Compartiment réfrigération	52
6.8 Compartiment de contre-porte	43	14.1 Conseils pour ranger des produits alimentaires dans le compartiment réfrigération	52
6.9 Réserve à glaçons	43	14.2 Zones froides du réfrigérateur	52
6.10 Caméras	43	15 Compartiment fraîcheur	52
6.11 Filtre anti-odeurs	44	15.1 Recommandations de paliers dans le compartiment fraîcheur	52
6.12 Accessoires	44		
7 Avant la première utilisation	44		
7.1 Première mise en service.....	44		

16 Compartiment congélation.....	53
16.1 Conseils pour ranger des aliments dans le compartiment congélation	53
16.2 Conseils pour congeler des aliments frais	53
16.3 Méthodes de décongélation pour aliments congelés	53
17 Compartiment à température variable.....	53
17.1 Recommandations de conservation dans le compartiment à température variable.....	53
18 Système hydraulique.....	54
18.1 Filtre à eau.....	54
18.2 Distributeur d'eau.....	54
18.3 Distributeur de glaçons	55
19 Dégivrer	56
19.1 Dégivrer le compartiment réfrigération	56
19.2 Dégivrer le compartiment fraîcheur	56
19.3 Dégivrer le compartiment congélation	56
19.4 Décongeler dans le compartiment à température variable	56
20 Nettoyage et entretien	56
20.1 Consignes d'entretien pour les surfaces en inox ...	56
20.2 Préparer l'appareil pour le nettoyage.....	56
20.3 Nettoyer l'appareil	57
20.4 Nettoyer la caméra.....	57
20.5 Retirer les pièces d'équipement	57
20.6 Remplacer le filtre anti-odeurs	58
21 Dépannage	59
21.1 Panne de courant.....	62
22 Entreposage et mise au rebut.....	62
22.1 Mettre l'appareil hors service	62
22.2 Éliminer un appareil usagé.....	62
23 Service à la clientèle.....	63
23.1 Numéro de modèle (E-Nr.), numéro de fabrication (FD) et numéro de comptage (Z-Nr.)....	63
24 Données techniques.....	63
24.1 Informations sur le logiciel libre	63



IMPORTANTES CONSIGNES DE SÉCURITÉ

LIRE ET CONSERVER CES INSTRUCTIONS

Respectez les consignes de sécurité suivantes.

1.1 Définitions des termes de sécurité

Vous trouverez ici des explications sur les mots de signalisation de sécurité utilisés dans ce manuel.

AVERTISSEMENT

Signale un risque de mort ou de blessure grave si l'avertissement n'est pas respecté.

MISE EN GARDE

Signale un risque de blessures mineures ou modérées si l'avertissement n'est pas respecté.

AVIS :

Ceci indique que la non-conformité à cet avis de sécurité peut entraîner des dégâts matériels ou endommager l'appareil.

Remarque : Ceci vous signale des informations et/ou indications importantes.

1.2 Indications générales

- Lisez attentivement cette notice.
- Veuillez conserver la notice et les renseignements sur le produit en vue d'une réutilisation ultérieure ou pour un futur nouveau propriétaire.
- Ne branchez pas l'appareil si ce dernier a été endommagé durant le transport.

1.3 Conformité d'utilisation

Utilisez l'appareil uniquement :

- pour réfrigérer et congeler des aliments, pour préparer de la glace et pour distribuer de l'eau.
- dans un domicile privé et dans une pièce fermée de l'environnement domestique.
- jusqu'à une altitude maximale de 2000 m au-dessus du niveau de la mer.

1.4 Restrictions au cercle d'utilisateurs

Cet appareil n'est pas destiné à être utilisé par des personnes (y compris des enfants) présentant des capacités physiques, sensorielles ou mentales réduites, à moins qu'elles n'aient été informées de la manière d'utiliser l'appareil par une personne responsable de leur sécurité.

Ne permettez jamais aux enfants de jouer avec l'appareil.

Le nettoyage de l'appareil et l'entretien par l'utilisateur sont des activités que les enfants ne peuvent pas effectuer sans surveillance.

1.5 Transport sûr

AVERTISSEMENT

L'appareil est très lourd, son poids est inégalement réparti et il peut basculer.

- ▶ L'appareil doit être transporté par deux ou plusieurs personnes.
- ▶ Retirer l'appareil de la palette seulement lorsqu'il est prêt à être installé.
- ▶ Maintenir les portes et les tiroirs fermés jusqu'à ce que l'appareil soit complètement installé.

AVERTISSEMENT

Il peut être risqué de soulever l'appareil en raison de son poids élevé.

- ▶ Soulevez l'appareil à deux personnes.

1.6 Installation sûre

AVERTISSEMENT

Pour éviter tout risque de blessure dû à des réparations incorrectes, observez ce qui suit.

- ▶ Observer impérativement les indications figurant sur la plaque signalétique lors du raccordement et de l'utilisation de l'appareil.
- ▶ Brancher l'appareil uniquement à l'aide d'une fiche dûment installée avec mise à la terre dans une prise secteur à courant alternatif.
- ▶ Le système à conducteur de protection de l'installation électrique de la maison doit être installé correctement.
- ▶ Ne jamais alimenter l'appareil par l'intermédiaire d'un appareil de commutation externe, par ex. une minuterie ou une télécommande.
- ▶ Si l'appareil est encastré, la fiche du cordon d'alimentation secteur doit être librement accessible ou, si un accès libre est impossible, un dispositif de sectionnement doit être installé dans l'installation électrique fixe, conformément aux réglementations d'installation.
- ▶ Veillez à ne pas coincer ou endommager le câble d'alimentation en posant l'appareil.



IMPORTANTES CONSIGNES DE SÉCURITÉ

LIRE ET CONSERVER CES INSTRUCTIONS

Pour éviter tout risque de blessure dû à une isolation endommagée du cordon d'alimentation, observez ce qui suit.

- ▶ Ne mettez jamais en contact le cordon d'alimentation avec des sources de chaleur.

AVERTISSEMENT

Si les orifices de ventilation de l'appareil sont obstrués, un mélange gaz-air inflammable peut se produire si le circuit de réfrigération fuit.

- ▶ N'obstruez pas les orifices de ventilation dans le boîtier de l'appareil ou dans le boîtier d'installation.

AVERTISSEMENT

Pour éviter tout risque de blessure dû à un cordon d'alimentation trop long et à des adaptateurs non approuvés, observez ce qui suit.

- ▶ Ne pas utiliser de rallonge ni de bloc multiprise.
- ▶ Utiliser uniquement les adaptateurs et cordons d'alimentation secteur autorisés par le fabricant.
- ▶ Si le cordon d'alimentation secteur est trop court et qu'aucun autre cordon plus long n'est disponible, contacter un électricien spécialisé pour adapter l'installation domestique.

Les blocs multiprises ou blocs secteur mobiles peuvent surchauffer et provoquer un incendie.

- ▶ Ne placez pas les blocs multiprises ou blocs secteur mobiles à l'arrière des appareils.

AVERTISSEMENT

L'appareil est très lourd, son poids est inégalement réparti et il peut basculer.

- ▶ L'appareil doit être installé par deux personnes ou plus dès qu'il n'est plus sécurisé et qu'il est retiré de la palette.
- ▶ Sécuriser l'appareil à l'aide des arceaux anti-basculement fournis.
- ▶ Surveillez l'appareil pendant son installation.

MISE EN GARDE

Vous risquez de vous couper en touchant les arêtes vives de l'appareil.

- ▶ Portez des gants de protection.

1.7 Utilisation sûre

AVERTISSEMENT

L'humidité qui pénètre peut occasionner une électrocution.

- ▶ Utiliser l'appareil uniquement dans des pièces fermées.

- ▶ Ne jamais exposer l'appareil à une forte chaleur ou humidité.
- ▶ N'utilisez pas de nettoyeur haute pression ou de nettoyeur à vapeur pour nettoyer l'appareil.

AVERTISSEMENT

Les enfants peuvent se passer le matériel d'emballage par-dessus la tête, s'y enrouler et s'y étouffer.

- ▶ Gardez le matériel d'emballage à l'écart des enfants.
- ▶ Ne permettez jamais aux enfants de jouer avec le matériel d'emballage.

Les enfants risquent d'inhaler ou d'avaler des petits morceaux et s'étouffer.

- ▶ Gardez les petits morceaux à l'écart des enfants.
- ▶ Ne permettez jamais aux enfants de jouer avec les petits morceaux.

AVERTISSEMENT

L'endommagement du circuit de réfrigération peut provoquer la fuite et l'explosion du fluide frigorigène inflammable.

- ▶ Pour accélérer le dégivrage, n'utilisez pas d'autres dispositifs mécaniques ou d'autres produits que ceux recommandés par le fabricant.
- ▶ Détachez les aliments congelés à l'aide d'un objet émoussé, par exemple le manche d'une cuillère en bois.

Des produits contenant des gaz propulseurs inflammables et des matières explosives peuvent exploser, par ex. bombes aérosols.

- ▶ Ne stockez pas de produits contenant des gaz propulseurs inflammables et des matières explosives dans l'appareil.

AVERTISSEMENT

Les appareils électriques à l'intérieur de l'appareil peuvent provoquer un incendie, par ex. appareils de chauffage ou fabriques de glace électriques.

- ▶ N'utilisez aucun appareil électrique à l'intérieur de l'appareil.

AVERTISSEMENT

Les récipients contenant des boissons gazeuses risquent d'éclater.

- ▶ Ne stockez jamais de récipient contenant des boissons gazeuses dans le compartiment fraîcheur ou dans un compartiment à température variable à moins de 34 °C (1 °F).
- ▶ Ne stockez jamais de boissons gazeuses dans le compartiment congélation.



IMPORTANTES CONSIGNES DE SÉCURITÉ

LIRE ET CONSERVER CES INSTRUCTIONS

Lésions oculaires dues à la fuite de fluide frigorigène inflammable et de gaz nocifs.

- ▶ Veillez à ne pas endommager les tubulures du circuit frigorifique, ni l'isolant.

AVERTISSEMENT

Un contact avec les produits congelés et les surfaces froides peut entraîner des brûlures par le froid.

- ▶ Ne portez jamais des produits surgelés à la bouche immédiatement après les avoir sortis du compartiment congélation.
- ▶ Évitez tout contact prolongé de la peau avec les produits congelés, la glace et les surfaces métalliques présents dans le compartiment congélation.

MISE EN GARDE

Pour éviter toute contamination des produits alimentaires, respectez les instructions suivantes.

- ▶ L'ouverture prolongée de la porte peut entraîner une importante augmentation de la température dans les compartiments de l'appareil.
- ▶ Nettoyez régulièrement les surfaces qui peuvent entrer en contact avec des produits alimentaires et systèmes d'écoulement accessibles.
- ▶ Rincez le système hydraulique si aucune eau n'a été prélevée pendant 5 jours.
- ▶ Conservez la viande et le poisson crus dans des récipients appropriés dans le compartiment réfrigération de sorte qu'ils ne soient pas en contact avec d'autres aliments et qu'ils ne coulent pas dessus.
- ▶ Si le réfrigérateur/congélateur reste vide pendant une longue période, éteignez l'appareil, dégivrez-le, nettoyez-le et laissez la porte ouverte, afin d'éviter la formation de moisissures.

Les pièces métalliques ou d'aspect métallique de l'appareil peuvent contenir de l'aluminium. Si des aliments acides entrent en contact avec de l'aluminium, des ions d'aluminium peuvent être transférés dans les aliments.

- ▶ Ne consommez pas les aliments contaminés.

1.8 Appareil endommagé

AVERTISSEMENT

Pour éviter tout risque de blessure dû à un appareil ou à un cordon d'alimentation endommagé, observez ce qui suit.

- ▶ Ne jamais utiliser un appareil endommagé.

- ▶ Ne jamais tirer sur le cordon d'alimentation secteur pour débrancher l'appareil du secteur. Toujours débrancher la fiche mâle du cordon d'alimentation secteur.
 - ▶ Si l'appareil ou le cordon d'alimentation secteur est endommagé, débrancher immédiatement la fiche mâle du cordon d'alimentation secteur ou couper le fusible dans le boîtier à fusibles et fermer le robinet d'eau.
 - ▶ Appeler le service après-vente. → *Page 63*
- Pour éviter tout risque de blessure dû à des réparations incorrectes, respectez les points suivants.
- ▶ Seuls des techniciens qualifiés ou des prestataires de services agréés peuvent effectuer des réparations.
 - ▶ Seules des pièces de rechange d'origine peuvent être utilisées pour réparer l'appareil.
 - ▶ Si le cordon d'alimentation secteur ou le cordon d'alimentation de l'appareil est endommagé, ils doivent être remplacés par des cordons spécifiques disponibles auprès du fabricant ou de son service après-vente.

AVERTISSEMENT



En cas d'endommagement des tuyaux, du fluide frigorigène inflammable et des gaz nocifs peuvent s'échapper et s'enflammer.

- ▶ Éloignez l'appareil de toute flamme nue ou source d'inflammation.
- ▶ Aérez la pièce.
- ▶ Éteindre l'appareil.
- ▶ Retirez la fiche du cordon d'alimentation secteur ou désactivez le fusible dans la boîte à fusibles.
- ▶ Appeler le service après-vente. → *Page 63*



IMPORTANTES CONSIGNES DE SÉCURITÉ LIRE ET CONSERVER CES INSTRUCTIONS

1.9 Mises en garde conformément à la proposition 65 de l'État de Californie

Ce produit pourrait contenir un produit chimique reconnu par l'État de la Californie comme cancérigène ou ayant des effets nocifs sur la reproduction. Par conséquent, vous pourriez devoir apposer l'étiquette suivante sur l'emballage du produit comme requis par la Californie :

STATE OF CALIFORNIA PROPOSITION 65 WARNING: /
AVERTISSEMENT ISSUE DE LA PROPOSITION 65
DE L'ÉTAT DE LA CALIFORNIE:



**WARNING /
AVERTISSEMENT**

Cancer and Reproductive Harm / Cancer et dommages à la
reproduction - www.P65Warnings.ca.gov.

2 Prévenir les bris matériels

AVIS :

Le poids élevé de l'appareil ou le basculement des roulettes de l'appareil risquent d'endommager le sol lors de son déplacement.

- ▶ Transportez l'appareil avec un diable.
- ▶ Lorsque vous déplacez l'appareil, protégez le sol et ne faites pas de zigzags.

Lorsque vous fermez la porte de l'appareil, un montant de porte déplié peut endommager l'appareil.

- ▶ Ne dépliez jamais le montant de porte manuellement.
- ▶ Lorsque le montant de porte est déplié, repliez-le avant de refermer la porte de l'appareil.

L'utilisation du socle, des glissières ou des portes de l'appareil comme surface d'assise ou comme marchepied peut endommager l'appareil.

- ▶ Ne vous servez jamais du socle, des glissières ou des portes comme marchepieds et ne vous appuyez jamais dessus.

Une pression de l'eau trop faible ou trop élevée peut gêner le fonctionnement de l'appareil.

- ▶ Assurez-vous que la pression d'eau au niveau de l'alimentation en eau est comprise entre 29 psi (200 kPa) minimum et 116 psi (800 kPa) maximum.
- ▶ Si la pression hydraulique excède la valeur maximale indiquée, un réducteur de pression entre le raccord d'eau potable et la trousse de tuyaux de l'appareil doit être installé.

Les tuyaux d'eau modifiés ou endommagés peuvent provoquer des dégâts matériels ou endommager l'appareil.

- ▶ Veillez à ne jamais plier, écraser, modifier ou couper les tuyaux d'eau.
- ▶ Ne réutilisez jamais des tuyaux d'eau usagés.
- ▶ Ne tirez jamais sur le tuyau d'eau ou sur la paroi arrière de l'appareil.

En cas de salissures provenant d'huile ou de graisse, des pièces en matière plastique et les joints de porte peuvent devenir poreux.

- ▶ Veillez à ce que les pièces en matière plastique et les joints de porte soient exempts d'huile et de graisse.

Les pièces métalliques ou d'aspect métallique de l'appareil peuvent contenir de l'aluminium. Au contact avec des aliments acides, l'aluminium se corrode et se décolore.

- ▶ Ne conserver des aliments dans l'appareil que s'ils sont emballés.

Si vous nettoyez les pièces d'équipement et les accessoires au lave-vaisselle, ceux-ci risquent de se déformer ou de déteindre.

- ▶ Ne nettoyez jamais les équipements et accessoires au lave-vaisselle.

3 Protection de l'environnement et économies

3.1 Mise au rebut de l'emballage

Les matériaux d'emballage sont écologiques et recyclables.

- ▶ Veuillez éliminer les pièces détachées après les avoir triées par matières.

3.2 Économiser de l'énergie

Si vous respectez les instructions suivantes, votre appareil consommera moins de courant.

Choisir le lieu d'installation

- Protégez l'appareil de la lumière directe du soleil.
- Installez l'appareil aussi loin que possible des radiateurs, des cuisinières et des autres sources de chaleur :
 - Respectez une distance de $1\frac{1}{4}$ " (30 mm) par rapport aux cuisinières électriques ou à gaz.
 - Respectez une distance de $11\frac{13}{16}$ " (300 mm) par rapport à un appareil de chauffage au fuel ou au charbon.
- Ne recouvrez et ne bouchez jamais les orifices de ventilation extérieurs.

Économiser de l'énergie lors de l'utilisation

Remarque : La disposition des pièces d'équipement n'a aucune influence sur la consommation d'énergie de l'appareil.

- N'ouvrez que brièvement l'appareil et fermez-le avec précaution.
- Ne recouvrez et n'obstruez jamais les grilles de ventilation intérieures ni les orifices de ventilation extérieurs.
- Transportez les produits alimentaires achetés dans un sac isotherme et rangez-les rapidement dans l'appareil.
- Attendez que les aliments et les boissons chaudes refroidissent avant de les ranger.
- Pour profiter du froid des produits congelés, placez les produits à décongeler dans le compartiment réfrigération.
- Laissez toujours un peu de place entre les produits alimentaires et la paroi arrière.
- Aspirez la poussière des grilles de ventilation extérieures.

4 Installation et branchement

4.1 Contenu de livraison

Après avoir déballé le produit, inspectez toutes les pièces pour détecter d'éventuels dégâts dus au transport et vous assurer de l'intégralité de la livraison.

En cas de réclamation, veuillez vous adresser à votre revendeur ou auprès de notre service à la clientèle

→ Page 63.

La livraison comprend :

- Des équipements et accessoires¹
- Matériel de montage
- Notice de montage
- Le mode d'emploi
- Déclaration de garantie limitée du produit
- Le document annexe de la garantie²
- Le label énergétique
- Des informations relatives à la consommation d'énergie et aux bruits
- Des informations sur Home Connect®

4.2 Critères pour le lieu d'installation

AVERTISSEMENT

Si l'appareil est installé dans une pièce trop petite, une éventuelle fuite du circuit de réfrigération pourrait donner lieu à un mélange de gaz et d'air inflammable.

- ▶ Placez l'appareil uniquement dans une pièce dont le volume minimum est de 35 ft³ (1 m³) par 8 g de fluide frigorigène. La quantité de fluide frigorigène est indiquée sur la plaque signalétique. → "Appareil", Fig.

 1/16, Page 41

Selon le modèle, le poids de l'appareil départ usine peut atteindre 740 lbs (335 kg).

Le plancher doit être assez stable pour supporter le poids de l'appareil.

4.3 Monter l'appareil

- ▶ Montez l'appareil selon les instructions de montage jointes.

4.4 Préparer l'appareil pour la première utilisation


1. Retirez le matériel d'informations.
2. Retirer les films protecteurs et les sécurités de transport, par ex. les bandes adhésives et le carton.
3. Nettoyez l'appareil pour la première fois. → Page 57

4.5 Brancher l'appareil au raccordement d'eau potable

Exigence

- Une vanne d'arrêt est installée au niveau du raccordement d'eau et est librement accessible après l'installation de l'appareil.
 - Le raccordement d'eau est testé et la qualité de l'eau est potable.
 - Le tuyau d'évacuation d'eau est pourvu d'une bague d'étanchéité.
1. Prélevez de l'eau potable à partir du raccordement à l'eau potable de l'installation domestique jusqu'à ce qu'il n'y ait plus de dépôts ou de turbidité.
En cas de dépôts permanents ou de turbidité dans l'eau potable, installez un système de filtre à eau externe.
 2. Installez le tuyau d'évacuation d'eau sur l'appareil selon les instructions de montage.

4.6 Raccordement électrique de l'appareil

1. Branchez la prise froide du cordon d'alimentation secteur sur l'appareil.
 2. Branchez la fiche secteur du cordon d'alimentation de l'appareil dans une prise murale avec mise à la terre à proximité de l'appareil.
Les données de raccordement de l'appareil sont indiquées sur la plaque signalétique. → "Appareil", Fig.  1/16, Page 41
 3. S'assurer que la fiche est correctement insérée.
- ✓ L'appareil est maintenant prêt à fonctionner.

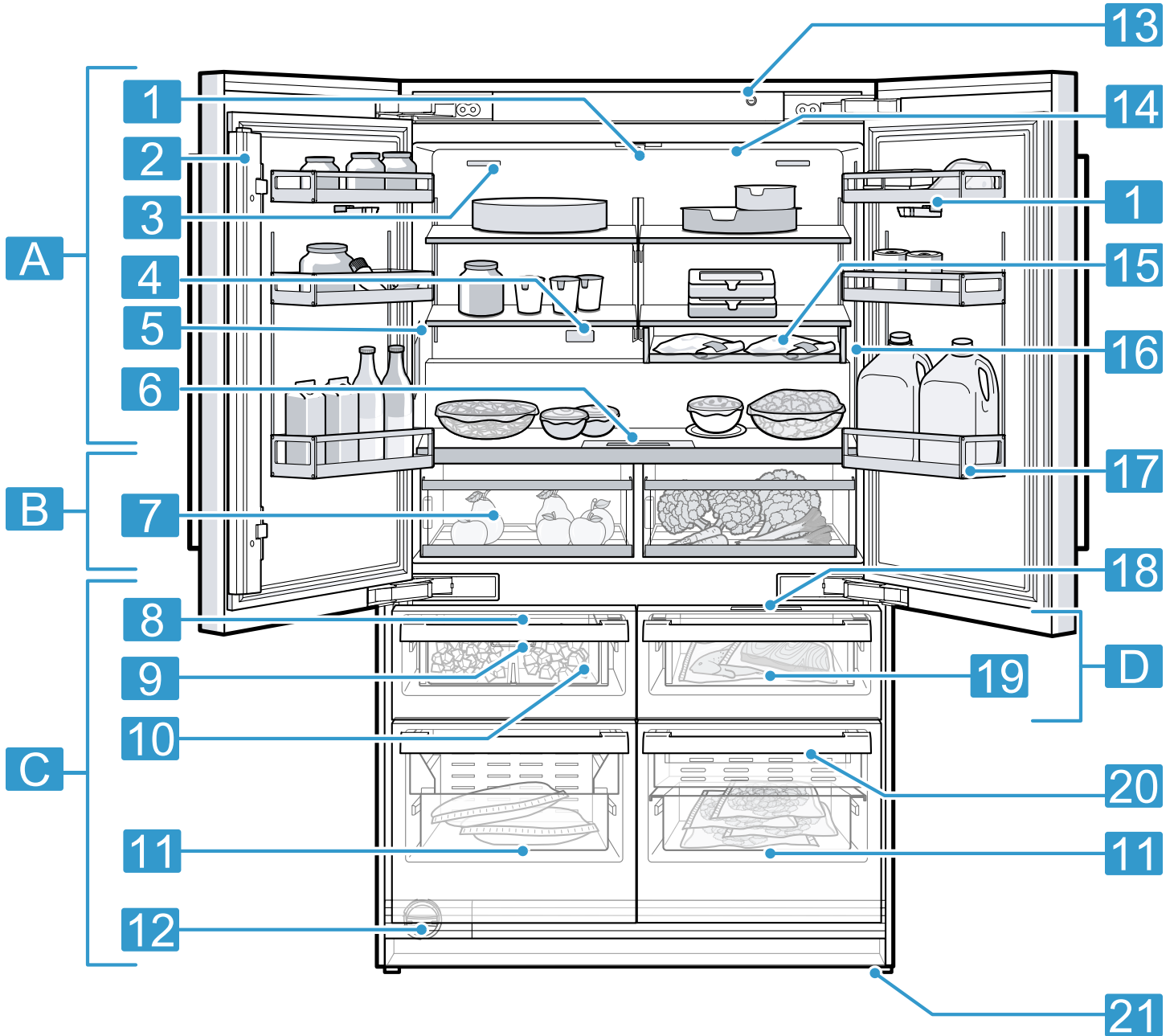
¹ selon l'équipement de l'appareil

² Pas dans tous les pays

5 Description de l'appareil

5.1 Appareil

Cette section contient une vue d'ensemble des composants de votre appareil.



1

Selon l'équipement et la taille, des divergences sont possibles entre votre appareil et les illustrations.

A Compartiment réfrigération → Page 52

B Compartiment fraîcheur → Page 52

C Compartiment congélation → Page 53

D Compartiment à température variable → Page 53

1 Caméras

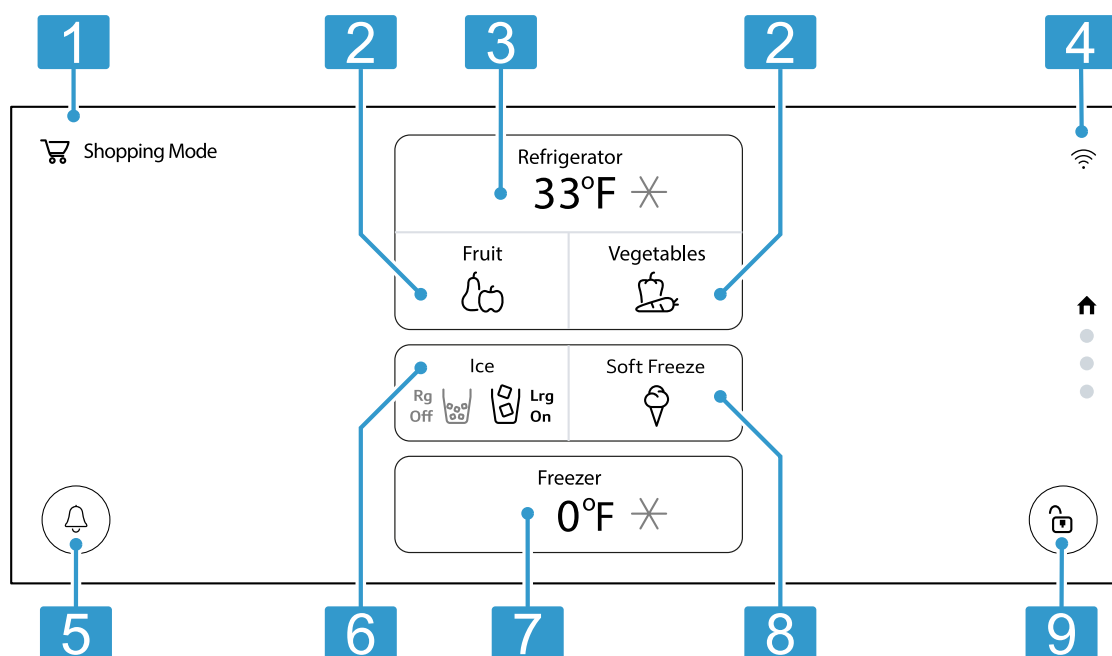
2 Montant de porte avec protection anti-condensation → Page 38

3	Orifices de ventilation internes (compartiment réfrigération)
4	Filtre anti-odeurs → Page 44
5	Distributeur d'eau → Page 54
6	Panneau de configuration → Page 41
7	Bac fraîcheur → Page 43
8	Distributeur de glaçons → Page 55
9	Séparateur de bac → Page 43
10	Réserve à glaçons → Page 43
11	Bac à produits congelés suspendu → Page 43
12	Filtre à eau → Page 54

13	Interrupteur principal
14	Éclairage intérieur
15	Bac à snacks → Page 43
16	Plaque signalétique → Page 63
17	Compartiment de contre-porte pour grandes bouteilles → Page 43
18	Bandeau de commande (compartiment à température variable) → Page 42
19	Récipient à température variable
20	Bac tiroir à aliments congelés → Page 43
21	Pied à vis

5.2 Bandeau de commande

Le bandeau de commande vous permet de configurer toutes les fonctions de votre appareil et d'obtenir des informations sur son état de fonctionnement.



2

1	Affiche le mode réglé.
2	Permet de régler le compartiment fraîcheur.
3	Permet de régler le compartiment réfrigération.
4	Affiche le statut de Home Connect®, par ex. si l'appli Home Connect® est activée ou désactivée.
5	🔔 ouvre le centre de notifications.
6	Permet de régler la production de glaçons.
7	Permet de régler le compartiment congélation.
8	Permet de régler le compartiment à température variable.

9	Active ou désactive le verrouillage des touches de l'écran.
---	---

Logique de commande

Certaines zones de l'écran réagissent au toucher. Vous pouvez activer les réglages en effleurant les touches. Les réglages activés sont mis en surbrillance à l'écran. Vous pouvez modifier ou désactiver les réglages activés en appuyant plusieurs fois sur les touches correspondantes à l'écran.

AVIS :

Un choc violent sur l'écran peut entraîner des dommages.
 ▶ N'exercez aucune pression forte sur l'écran.

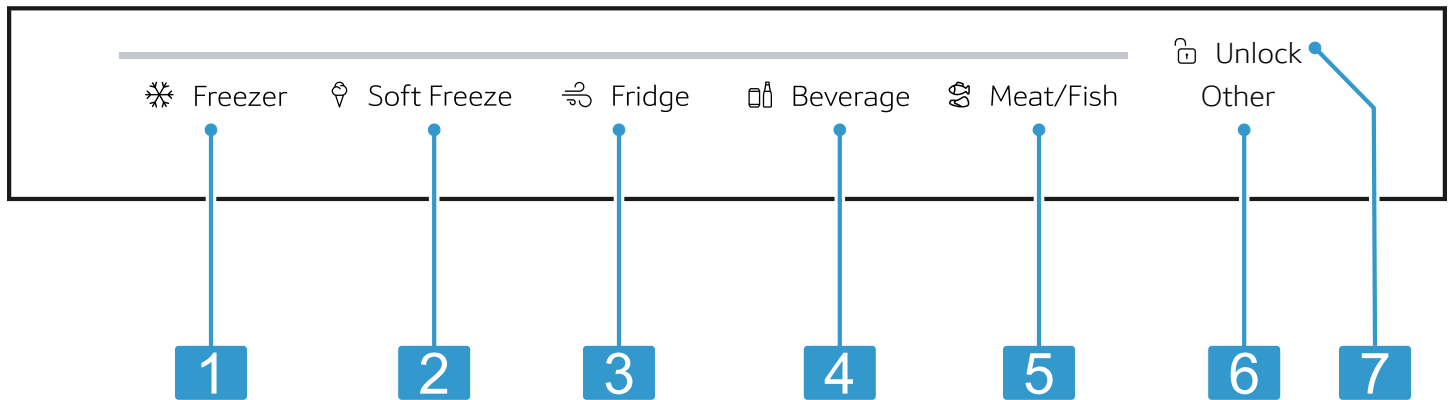
- ▶ N'appuyez pas sur l'écran avec des objets tranchants ou pointus.

Symbole	Description
⬆	Accéder à l'écran de démarrage

Symbole	Description
ⓘ	Afficher d'autres informations à l'écran
☑	Activer la fonction
☒	Désactiver la fonction

5.3 Bandeau de commande (compartiment à température variable)

Le bandeau de commande du compartiment à température variable vous permet de définir le réglage de palier.



3

- 1 ❄ **Congélateur** règle le réglage de palier dans le compartiment à température variable sur Congélateur.
- 2 🧊 **Congélation douce** règle le réglage de palier dans le compartiment à température variable sur Congélation douce.
- 3 🧊 **Réfrigérateur** règle le réglage de palier dans le compartiment à température variable sur Réfrigérateur.
- 4 🍹 **Boissons** règle le réglage de palier dans le compartiment à température variable sur Boissons.
- 5 🍖 **Viande et poisson** règle le réglage de palier dans le compartiment à température variable sur Viande et poisson.
- 6 👤 "Autre" s'allume lorsque des réglages définis par l'utilisateur sont réglés via l'appli Home Connect® ou le bandeau de commande.
- 7 🔓 **Déverrouiller** désactive le verrouillage des touches du bandeau de commande (compartiment à température variable).

6 Équipement

L'équipement de votre appareil dépend de son modèle.

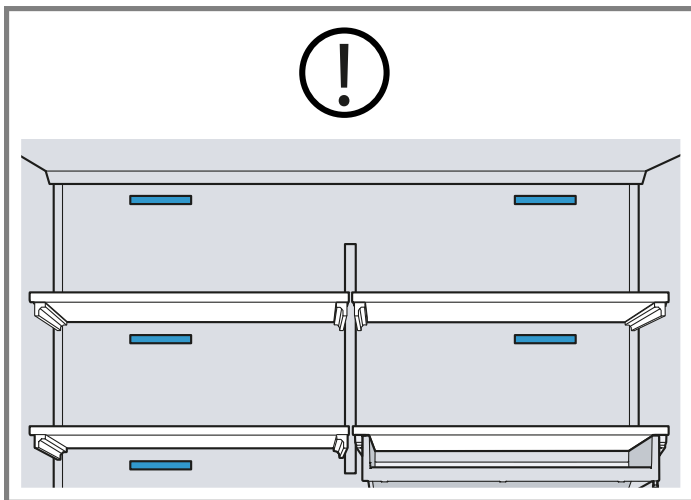
6.1 Clayette

Pour varier la position de la clayette selon les besoins, vous pouvez retirer la clayette et la replacer à un autre endroit.

→ "Retirer la clayette", Page 57

Remarque

Pour ne pas entraver la circulation de l'air, ne couvrez pas les orifices de ventilation internes.



6.2 Bac à snacks

Conservez les aliments ou les petits en-cas emballés dans le bac à snacks.

6.3 Bac fraîcheur

Pour régler automatiquement l'humidité et la température correctes de vos aliments dans le bac fraîcheur, utilisez les différents réglages de paliers du compartiment fraîcheur.

Conservez les fruits et légumes frais non emballés dans le bac fraîcheur.

Conservez les fruits et légumes coupés recouverts ou dans un emballage hermétique.

Pour des raisons d'hygiène, ne stockez pas les fruits et légumes en contact avec de la viande et du poisson dans un bac fraîcheur.

Suivant la quantité et la nature des produits stockés, de l'eau peut se condenser dans le bac fraîcheur.

Essayez l'eau condensée avec un chiffon sec.

Afin de conserver leur qualité et leurs arômes, rangez les fruits et légumes sensibles au froid en dehors de l'appareil à des températures comprises entre 46 °F (8 °C) à 54 °F (12 °C) environ, par ex. les ananas, les bananes, les agrumes, les concombres, les courgettes, les poivrons, les tomates et les pommes de terre.

6.4 Récipient à température variable

Utilisez différents réglages de palier afin de régler la bonne température pour vos aliments dans le récipient à température variable.

6.5 Séparateur de bac

Vous pouvez retirer le séparateur de bac afin d'obtenir avoir plus d'espace de stockage dans le bac à glaçons.

Retirer le séparateur de bac → Page 58

6.6 Bac tiroir à aliments congelés

Pour obtenir une meilleure vue d'ensemble et pour retirer plus rapidement les aliments congelés, tirez le bac tiroir à aliments congelés.

6.7 Bac à produits congelés suspendu

Stockez les aliments congelés volumineux dans le bac à produits congelés suspendu.

6.8 Compartiment de contre-porte

Pour varier la position du compartiment dans la contreporte selon les besoins, vous pouvez le retirer et le replacer à un autre endroit.

→ "Retirer le compartiment de contre-porte", Page 58

6.9 Réserve à glaçons

Si la production de glaçons est activée, des glaçons sont automatiquement entreposés dans la réserve à glaçons.

AVIS :

Le distributeur de glaçons peut être bloqué ou endommagé par des aliments ou des objets stockés dans le bac à glaçons.

- ▶ Ne stockez jamais d'aliments ou d'objets dans le bac à glaçons.

Remarque : Pour éviter de trop remplir la réserve à glaçons, ne répartissez pas les glaçons à la main dans celle-ci.

Conseil : Pour éviter que des glaçons ne tombent de la réserve à glaçons dans le compartiment congélateur, ne fermez pas le tiroir du congélateur.

6.10 Caméras

Les caméras prennent une photo du compartiment réfrigération, du compartiment fraîcheur et de l'intérieur des portes du compartiment réfrigération à chaque

fermeture de porte. Vous pouvez accéder aux photos via l'appli Home Connect et un appareil mobile. Activer les caméras → Page 46

Remarque : Fermez lentement la porte de l'appareil pour permettre aux caméras de prendre des photos de bonne qualité. Si vous fermez la porte de l'appareil trop rapidement, les photos risquent d'être floues. Les photos floues peuvent également être dues à une caméra sale.

→ "Nettoyer la caméra", Page 57

6.11 Filtre anti-odeurs

Le filtre anti-odeurs filtre les odeurs et peut être remplacé si nécessaire.

→ "Remplacer le filtre anti-odeurs", Page 58

6.12 Accessoires

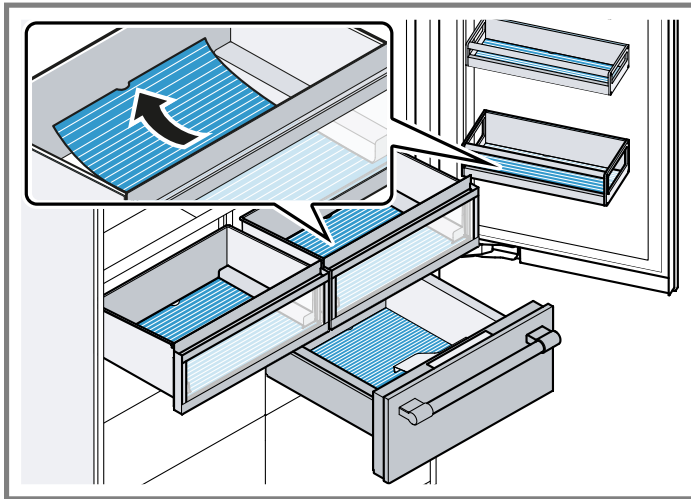
Utilisez uniquement des accessoires d'origine. Ils ont été spécialement conçus pour votre appareil.

L'accessoire de votre appareil dépend du modèle.

Tapis antidérapant

Le tapis antidérapant empêche les bouteilles et les aliments de glisser.

Suivant la quantité et la nature du produit stocké, de la condensation peut se former sur le tapis antidérapant. Si nécessaire, retirez le tapis antidérapant et essuyez l'eau condensée avec un chiffon sec.



Absorbeur d'éthylène

Des consignes de sécurité importantes et des informations sur l'installation et l'utilisation figurent dans les instructions de montage de l'absorbeur d'éthylène.

L'absorbeur d'éthylène ralentit la maturation des fruits et légumes sensibles à l'éthylène afin de préserver leur fraîcheur plus longtemps.

Installer l'absorbeur d'éthylène

- ▶ Installez l'absorbeur d'éthylène conformément aux instructions de montage de ce dernier.

Utiliser le kit de recharge

1. Installez les composants de la trousse de recharge conformément aux instructions de montage de l'absorbeur d'éthylène.
2. Remplacez les sachets au moins tous les 6 mois après la réinitialisation.

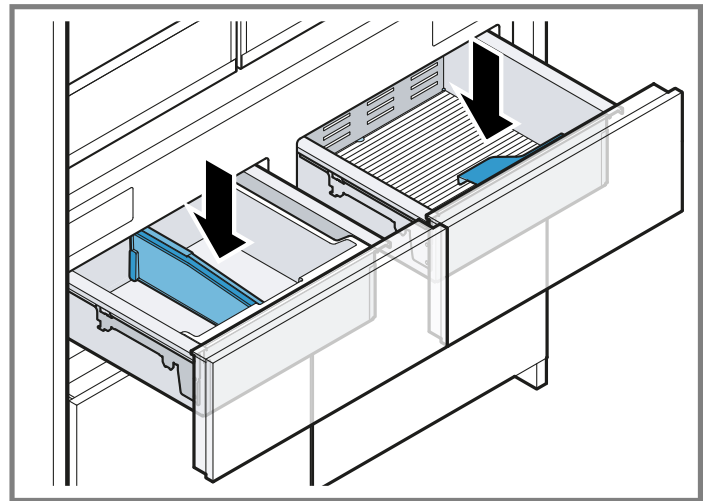
Remarque : Pour obtenir des trousse de recharge, adressez-vous à notre service après-vente ou consultez notre site Web.

Pelle à glace

Utilisez la palette à glace pour prélever une portion des glaçons.

Conseil

Placez la palette à glace dans le récipient à température variable ou sur le séparateur de bac.



7 Avant la première utilisation

7.1 Première mise en service

Exigence

- L'appareil est monté conformément aux instructions de montage jointes.
 - L'appareil est raccordé électriquement. → Page 39
1. Mettez l'appareil sous tension à l'aide de l'interrupteur principal. → "Appareil", Fig. 1/13, Page 41
 2. Fermez les portes de l'appareil, patientez 3 minutes puis rouvrez-les.
 3. Sélectionnez une langue.
 4. Vérifiez le raccordement à l'eau et le débit d'eau.
 5. Sélectionnez l'une des options :
 - Pour configurer Home Connect®, appuyez sur "Connect Now" et suivez les instructions à l'écran.
 - Pour régler manuellement l'heure, la date et l'unité de température, appuyez sur "Manual Set-Up" et suivez les instructions à l'écran.
 - Démarrez l'installation de l'absorbeur d'éthylène avec "Install Now" et suivez les instructions à l'écran.

- Pour accéder directement à l'écran de démarrage, effleurez "Ignorer".
- ✓ La première mise en service est terminée.

8 Opération de base

8.1 Allumer l'appareil

1. Mettez l'appareil sous tension à l'aide de l'interrupteur principal. → "Appareil", Fig. 1/13, Page 41
- ✓ L'appareil commence à réfrigérer.
2. Réglez la température souhaitée. → Page 45

8.2 Remarques concernant le fonctionnement de l'appareil



- Lorsque vous avez allumé l'appareil, il peut s'écouler jusqu'à plusieurs heures avant que la température réglée ne soit atteinte.
Ne rangez aucun aliment avant que la température réglée ne soit atteinte.
- Les surfaces frontales et les parois latérales du boîtier sont légèrement chauffées temporairement. Cela permet d'éviter la condensation.
- Lorsque vous refermez la porte, veillez à ce qu'elle ne soit pas bloquée par les aliments stockés.
- Lorsque vous refermez la porte, une dépression peut se produire. La porte est alors difficile à rouvrir. Patientez quelques instants jusqu'à ce que la dépression soit compensée.
- La température de l'appareil varie selon les conditions suivantes :
 - Fréquence des ouvertures de l'appareil
 - Charge
 - Température des aliments nouvellement stockés
 - Température ambiante
 - Exposition directe au soleil



8.3 Éteindre l'appareil

- ▶ Mettez l'appareil hors tension à l'aide de l'interrupteur principal. → "Appareil", Fig. 1/13, Page 41


8.4 Régler la température

Régler la température du réfrigérateur



1. Appuyez sur l'affichage de la température (réfrigérateur).
2. Appuyez à plusieurs reprises sur / jusqu'à ce que l'affichage de la température (compartiment réfrigération) indique le réglage de température souhaité.



Conseil : Si vous maintenez / enfoncé, la température change de 1 ° par seconde jusqu'à ce que vous relâchiez la touche.
La température recommandée dans le compartiment réfrigération est de 37 °F (3 °C).

Régler la température du réfrigérateur recommandée


1. Appuyez sur l'affichage de la température (réfrigérateur).
2. Appuyez sur "Set to Default" .
- ✓ La température du réfrigérateur est réglée sur 37 °F (3 °C).

Régler la température du congélateur

1. Appuyez sur l'affichage de la température (congélateur).
2. Appuyez à plusieurs reprises sur / jusqu'à ce que l'affichage de la température (compartiment congélation) indique le réglage de température souhaité.

Conseil : Si vous maintenez / enfoncé, la température change de 1 ° par seconde jusqu'à ce que vous relâchiez la touche.
La température recommandée dans le compartiment congélation est de 0 °F (-18 °C).

Régler la température du congélateur recommandée



1. Appuyez sur l'affichage de la température (congélateur).
2. Appuyez sur "Set to Default" .
- ✓ La température du congélateur est réglée sur 0 °F (-18 °C).

8.5 Paliers du compartiment fraîcheur

Vous pouvez régler la température et l'humidité des compartiments fraîcheur à l'aide de réglages de paliers prédéfinis.

Conseil : D'autres réglages sont disponibles dans l'appli Home Connect®.

Régler les paliers du compartiment fraîcheur

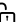

1. Appuyez sur le réglage de palier du compartiment fraîcheur de votre choix.
2. Appuyez sur "More Options" .
3. Appuyez sur le réglage de palier souhaité et confirmez avec .

8.6 Verrouillage des touches

Le verrouillage des touches empêche toute utilisation involontaire ou incorrecte de l'appareil.

Remarque : Vous pouvez activer ou désactiver le verrouillage automatique de manière permanente.
→ Page 47

Activer le verrouillage des touches

- ▶ Appuyez sur  pendant 2 secondes.
- ✓  s'allume.

Désactiver le verrouillage des touches



- ▶ Appuyez sur  pendant 2 secondes.

8.7 Réglage de palier du compartiment à température variable

Vous pouvez régler la température du compartiment à température variable à l'aide des réglages de palier prédéfinis dans le bandeau de commande de l'appareil ou dans le bandeau de commande du compartiment à température variable.

Conseil : D'autres réglages sont disponibles dans l'appli Home Connect®.


Régler le compartiment à température variable

1. Appuyez sur le réglage de palier du compartiment à température variable.
2. Appuyez sur "More Options" .
3. Appuyez sur le réglage de palier souhaité et confirmez avec .




9.2 Vue d'ensemble des réglages de base

Cette section contient une vue d'ensemble réglages de base et d'usine. Les réglages de base dépendent de l'équipement de votre appareil.


"General"

Réglage	Sélection	Description
Connectivity/WiFi	Se reporter aux informations affichées. More Options Connect Now	Affiche le statut du Wi-Fi. → <i>Page 50</i> Affiche les réglages Home Connect®. Configurer Home Connect®. → <i>Page 50</i>
Cameras		Allumer ou éteindre les caméras. → <i>"Caméras", Page 43</i>
Language	English Español Français	Sélectionner la langue du menu.
Units	Fahrenheit Celcius	Régler l'unité de température.

"Special Modes"

Réglage	Sélection	Description
Normal Mode	Normal Mode	Activer ou désactiver le mode standard.
Shopping	 Shopping	Activer ou désactiver le mode Achat. → <i>"Mode Achat", Page 48</i>
Sabbath	 Sabbath	Activer ou désactiver le mode Sabbat. Sélectionner une heure prédéfinie et suivre les instructions à l'écran. → <i>"Mode Sabbat", Page 49</i> Conseil : Vous pouvez adapter les heures pré-réglées.
Eco	 Eco	Activer ou désactiver le mode Économie d'énergie. → <i>"Mode économie d'énergie", Page 48</i>


Régler le bandeau de commande (compartiment à température variable)

1. Dans le bandeau de commande (compartiment à température variable), appuyez sur  **Déverrouiller** jusqu'à ce que la barre lumineuse s'allume entièrement.
2. Appuyez sur le réglage de palier souhaité.




9 Réglages de base

9.1 Modifier les réglages de base





1. Accédez au "Settings" en balayant.
- ✓ "General" s'allume.
2. Effleurez le réglage de base souhaité et modifiez-le.

Réglage	Sélection	Description
Vacation	 Vacation	Activer ou désactiver le mode Vacances. → "Mode Vacances", Page 48





"Display"

Réglage	Sélection	Description
Display Brightness	Auto Manual  / 	Activer ou désactiver l'éclairage de l'écran réglé automatiquement. Régler l'éclairage de l'écran de 20 % à 100 %.
Automatic Display Lock		Activer ou désactiver le verrouillage automatique.

"Audio"

Réglage	Sélection	Description
Display Volume	 / 	Régler le volume de l'écran de 0 à 8.
Notification Volume	 / 	Régler le volume des notifications de 0 à 8.

"Lighting"

Réglage	Sélection	Description
Interior Lights	Auto Manual  / 	Activer ou désactiver la luminosité de l'éclairage intérieur réglée automatiquement. → "Éclairage intérieur", Page 49 Régler la luminosité de l'éclairage intérieur de 20 % à 100 %.
Light Guidance		Activer ou désactiver les assistants d'éclairage.
Theatre Lighting		Activer ou désactiver l'éclairage Théâtre.

10 Fonctions additionnelles

Découvrez les fonctions additionnelles dont votre appareil dispose. L'appli Home Connect® vous permet de régler d'autres fonctions supplémentaires.

10.1 Super-réfrigération


La fonction Super-réfrigération permet de refroidir au maximum le compartiment réfrigération. Activez la fonction Super-réfrigération avant de ranger de grandes quantités d'aliments dans le compartiment réfrigération.

Remarque : Lorsque la fonction Super-réfrigération est activée, il est possible que l'appareil fonctionne plus bruyamment.

Allumez la fonction Super-réfrigération

1. Appuyez sur l'affichage de la température (réfrigérateur).

2. Appuyez sur "Super Cool"  "Off".


✓  "On" s'allume dans l'affichage de la température (réfrigérateur).

Remarque : Après environ 6 heures, l'appareil passe en mode de fonctionnement normal.

Désactivez le Super-réfrigération

1. Appuyez sur l'affichage de la température (réfrigérateur).

2. Appuyez sur "Super Cool"  "Off".

✓  "On" s'éteint dans l'affichage de la température (réfrigérateur).

✓ La température réglée auparavant s'affiche.

10.2 Super-congélation automatique

Grâce à la fonction Super-congélation automatique, le congélateur refroidit beaucoup plus qu'en fonctionnement normal. De ce fait, les aliments congèlent plus rapidement à cœur.

La fonction Super-congélation automatique s'enclenche lorsque vous placez des aliments frais en partant de la droite dans le bac à aliments congelés suspendu.

Si la fonction Super-congélation automatique est activée, ✱ s'allume et il est possible que l'appareil fonctionne plus bruyamment.

L'appareil passe en mode de fonctionnement normal après l'expiration de la fonction Super-congélation automatique.

Remarque : Pour savoir comment activer et désactiver la fonction automatique Super-congélation, consultez les réglages du service. → *Page 52*

Annuler la fonction Super-congélation automatique

1. Appuyez sur l'affichage de la température (congélateur).
 2. Appuyez sur ✱ "On".
- ✓ ✱ "On" s'éteint dans l'affichage de la température (congélateur).
 - ✓ La température réglée auparavant s'affiche.

10.3 Fonction Super-congélation manuelle

Avec la fonction Super-congélation, le compartiment congélation refroidit au maximum.

Activez la fonction Super-congélation 4 à 6 heures avant de ranger une quantité d'aliments à partir de 2 kg dans le compartiment congélation.

Utilisez Super-congélation pour accélérer la production de glaçons.

Remarque : Lorsque la fonction Super-congélation est activée, il est possible que l'appareil fonctionne plus bruyamment.

Activer la fonction Super-congélation manuelle

1. Appuyez sur l'affichage de la température (congélateur).
 2. Appuyez sur "Super Freeze" ✱ "Off".
- ✓ ✱ "On" s'allume dans l'affichage de la température (congélateur).

Remarque : Après environ 8 heures, l'appareil passe en mode de fonctionnement normal.

Désactiver la fonction Super-congélation manuelle

1. Appuyez sur l'affichage de la température (congélateur).
 2. Appuyez sur "Super Freeze" ✱ "Off".
- ✓ ✱ "On" s'éteint dans l'affichage de la température (congélateur).
 - ✓ La température réglée auparavant s'affiche.

10.4 Mode Achat

Allumez le "Shopping Mode" avant d'aller acheter les aliments.

Le "Shopping Mode" allume les fonctions Super-réfrigération et Super-congélation en même temps.

Remarque : Pour savoir comment activer le mode Achat, consultez les réglages de base. → *Page 46*

10.5 Mode Vacances

Si vous vous absentez pendant une longue période, vous pouvez activer le mode Vacances pour économiser l'énergie sur l'appareil.

⚠ MISE EN GARDE

Lorsque le mode Vacances est activé, le compartiment réfrigération se réchauffe. L'augmentation de la température peut entraîner la multiplication des bactéries et l'altération des aliments.

- ▶ Quand le mode Vacances est activé, ne stockez pas d'aliments dans le compartiment réfrigération.

L'appareil adapte automatiquement les températures.

Compartiment réfrigération	58 °F (14 °C)
Compartiment fraîcheur	Température inchangée
Compartiment congélation	Température inchangée
Compartiment à température variable	Température inchangée

Remarques

- En mode Vacances, la production de glaçons et la distribution d'eau sont désactivés.
- Pour savoir comment activer le mode Vacances, consultez les réglages de base. → *Page 47*

10.6 Mode économie d'énergie

Le mode Économie d'énergie permet de commuter en mode de fonctionnement économe en énergie.

L'appareil adapte automatiquement les températures.

Compartiment réfrigération	43 °F (6 °C)
Compartiment fraîcheur	32 °F (0 °C)
Compartiment congélation	6 °F (-14 °C)
Compartiment à température variable	Température inchangée

Les températures supérieures à 0 °F (-18 °C) réduisent la durée de conservation des aliments. Utilisez le mode économie d'énergie pour stocker des aliments à court terme.

Remarque : Pour savoir comment activer le mode Économie d'énergie, consultez les réglages de base. → *Page 46*

10.7 Éclairage intérieur

Vous pouvez éteindre l'éclairage intérieur ou régler la luminosité.

Remarque : Pour savoir comment régler la luminosité de l'éclairage intérieur, consultez les réglages de base.

→ Page 47

10.8 Mode Sabbat

En mode Sabbat, toutes les fonctions non essentielles sont désactivées pour vous permettre d'utiliser l'appareil le jour du sabbat.

En mode Sabbat, les fonctions suivantes sont désactivées :

- Super-réfrigération
- Super-congélation automatique et Super-congélation manuelle
- Alarme
- Distributeur d'eau
- Production de glaçons
- Éclairage intérieur
- Signaux sonores
- Messages sur le bandeau de commande

Remarques

- En mode Sabbat, l'éclairage du bandeau de commande est moins lumineux.
- Pour savoir comment activer le mode Sabbat, consultez les réglages de base. → Page 46

11 Alarme

11.1 Alarme de porte

L'alarme de porte retentit lorsque la porte de l'appareil reste ouverte longtemps.

Une alarme sonore retentit et 🔔 "Door Alarm" apparaît.

Désactiver l'alarme de porte

- ▶ Fermez la porte de l'appareil ou appuyez sur "Mute Alarm".
- ✓ L'alarme sonore est désactivée.

11.2 Alarme de température

Si la température monte trop dans le compartiment congélation, l'alarme de température retentit.

Une alarme sonore retentit et 🔔 "Freezer High Temp. Alarm" s'allume.

⚠ MISE EN GARDE

Lors de la décongélation, les bactéries peuvent se multiplier et les aliments congelés peuvent s'abîmer.

- ▶ Ne remettez pas à congeler des produits alimentaires partiellement ou entièrement décongelés.

- ▶ Ne recongelez les aliments qu'après avoir les avoir fait cuire ou rôti.
- ▶ N'utilisez plus la durée de conservation dans son intégralité.

L'alarme de température peut s'enclencher dans les cas suivants :

- L'appareil est mis en route.
Attendez que la température réglée soit atteinte avant de ranger les produits.
- Rangement de grandes quantités de produits alimentaires frais.
Activez Super-congélation avant de ranger de grandes quantités de nourriture.
- Porte du compartiment congélation restée trop longtemps ouverte.
Vérifiez si les produits surgelés ont été décongelés.

Éteindre l'alarme de température

- ▶ Appuyez sur "Yes, see highest temp." et confirmez avec "OK".
- ✓ L'alarme sonore est désactivée.
- ✓ L'affichage indique la température la plus élevée qui a régné dans le compartiment congélation. Ensuite l'affichage indique à nouveau la température réglée.
- ✓ À partir de ce moment-là, l'appareil détermine et enregistre à nouveau la température la plus élevée.

12 Home Connect®

Cet appareil peut être mis en réseau. Branchez votre appareil à un appareil mobile pour en effectuer la commande via l'application Home Connect®.

Les Home Connect® ne sont pas proposés dans tous les pays. La disponibilité de la fonction Home Connect® de l'offre des services Home Connect® dans votre pays.

Vous trouverez de plus amples informations à ce sujet à l'adresse : www.home-connect.com.

Pour utiliser Home Connect®, configurez d'abord la connexion à votre réseau domestique WLAN (Wi-Fi¹) et à l'application Home Connect®.

Attendez au moins 2 minutes après la mise en marche de l'appareil, jusqu'à ce que l'initialisation interne de l'appareil soit achevée. Réglez ensuite d'abord Home Connect®.

L'appli Home Connect® vous guide tout au long du processus de connexion. Suivez les étapes prescrites par l'application Home Connect® pour procéder aux réglages.

Conseil : Observez également les consignes dans l'application Home Connect®.

Remarques

- Observez les consignes de sécurité de la présente notice d'utilisation et assurez-vous qu'elles sont également respectées si vous utilisez l'appareil via l'application Home Connect®.
→ "Sécurité", Page 34

¹ Wi-Fi est une marque déposée de la société Wi-Fi Alliance.

- Les commandes sur l'appareil même ont toujours priorité. Pendant ce temps, la commande via l'application Home Connect® n'est pas possible.

12.1 Configurer l'application Home Connect®

- Installer l'application Home Connect® sur votre appareil mobile.
- Démarrez l'appli Home Connect® et configurez l'accès à Home Connect®.

L'appli Home Connect® vous guide tout au long du processus de connexion.

12.2 Configurer Home Connect®

Exigence : L'appareil a accès au réseau domestique WLAN (Wi-Fi) sur le lieu d'installation.

- Scanner le code QR ci-après.



Le code QR vous permet d'installer l'appli Home Connect® et de connecter votre appareil.

- Suivez les instructions de l'application Home Connect®.

12.3 Diagnostic à Distance

Le service à la clientèle peut accéder à votre appareil à l'aide de Diagnostic à Distance si vous le lui demandez, à condition que votre appareil soit connecté au serveur Home Connect® et que Diagnostic à Distance soit disponible pour votre appareil et votre pays. Pour des informations sur la disponibilité de Diagnostic à Distance dans votre pays, consultez la section Service/Soutien de votre site Web local : www.home-connect.com.

Veuillez noter que si Diagnostic à Distance peut aider à résoudre certains problèmes, il peut arriver qu'une visite sur place soit nécessaire si le problème ne peut être résolu à distance.

12.4 Protection des données

Observez les conseils de protection des données.

Lors de la première connexion de votre appareil à un réseau domestique relié à Internet, votre appareil transmet les catégories de données suivantes au serveur Home Connect® (premier enregistrement) :

- Code d'appareil univoque (constitué de clés d'appareil ainsi que de l'adresse MAC du module de communication Wi-Fi intégré).
- Certificat de sécurité du module de communication Wi-Fi (pour la protection des informations de la connexion).
- La version actuelle du logiciel et du matériel de votre électroménager.
- État d'une précédente restauration éventuelle des réglages d'usine.





Ce premier enregistrement prépare l'utilisation des fonctions Home Connect® et s'avère uniquement nécessaire au moment où vous souhaitez utiliser les fonctions Home Connect® pour la première fois.

Remarques

- Veuillez noter que les fonctions Home Connect® ne sont utilisables qu'avec l'application Home Connect®. Vous pouvez consulter les informations sur la protection des données dans l'appli Home Connect®.
- Il est possible que des utilisateurs, des personnes ou des locaux hors de l'appareil soient capturés par les caméras et donc représentés dans l'appli Home Connect®. De telles photos sont traitées dans le système Home Connect® pour être mis à disposition dans l'appli Home Connect®. Vous pouvez consulter les informations sur le traitement des données dans l'appli Home Connect®.

12.5 État de la connexion Home Connect®

Vous trouverez ici un aperçu de l'état de la connexion Home Connect®.

Symbole	Description
	L'appareil est connecté à l'appli Home Connect®.
	L'appareil n'est pas connecté à l'appli Home Connect®.
	L'appareil n'a aucune connexion au réseau domestique.
	Le diagnostic à distance est activé.

13 Réglages de service

Vous pouvez procéder à différents réglages de service.

13.1 Modifier des réglages de service

13.2 Vue d'ensemble des réglages de service

Vous trouverez ici un aperçu des réglages de service.

"Application Info"

Réglage	Sélection	Description
Se reporter aux informations affichées.	E-Number: Production Date: // Z-Number: Serial Number:	Affiche des informations sur l'appareil.

"Filter Management"

Réglage	Sélection	Description
Water Filter	Se reporter aux informations affichées. Reset	Affiche le statut du filtre à eau. Suivez les instructions à l'écran et réinitialisez le statut du filtre à eau.
Ethylene Absorber	Se reporter aux informations affichées. Install Reset Remove	Affiche le statut de l'absorbeur d'éthylène. Installer l'absorbeur d'éthylène. Réinitialiser le statut de l'absorbeur d'éthylène. Démonter l'absorbeur d'éthylène. → "Absorbeur d'éthylène", Page 44
Air Filter	Se reporter aux informations affichées.	The air filter is designed to last for the lifetime of your appliance.


"How-To Guides"

Réglage	Sélection	Description
Se reporter aux informations affichées.	How to restart my appliance. How to change my water filter. How to change my ethylene absorber.	Affiche les instructions étape par étape sur l'écran. Appuyez sur les instructions souhaitées et suivez-les à l'écran.

"Customer Service"

Réglage	Sélection	Description
24/7 Customer Service	Se reporter aux informations affichées.	Affiche le numéro de téléphone du service après-vente. Scanner le code QR pour accéder à la page Web du service après-vente.

"Advanced Service"

Réglage	Sélection	Description
Time & Date	Se reporter aux informations affichées. Auto-adjust 	Suivez les instructions figurant à l'écran et réglez l'heure et la date. Activez ou désactivez l'heure et la date réglées automatiquement. Remarque : "Auto-adjust" est uniquement disponible si Home Connect® est configuré.

1. Accédez au "Service" en balayant.
- ✓ "Application Info" s'allume.
2. Appuyez sur le réglage de service souhaité et modifiez-le.

Réglage	Sélection	Description
Auto-Super		Activer ou désactiver la fonction Super-congélation automatique. → "Super-congélation automatique", Page 48
Factory Reset	Reset Now	Réinitialiser l'appareil aux réglages usine.
Demo Mode		Activer ou désactiver le mode Démo. En mode Démo, l'appareil ne refroidit pas. Remarque : Le mode Démo est disponible pendant une durée limitée après la mise sous tension de l'appareil.

14 Compartiment réfrigération

Vous pouvez entreposer des produits laitiers, des œufs, des plats cuisinés, des pâtisseries, des conserves ouvertes et des fromages à pâte dure dans le compartiment fraîcheur.

La température est réglable de 33 °F (1 °C) à 43 °F (6 °C).

Le stockage au froid vous permet aussi de ranger des denrées facilement périssables à court et moyen terme. Plus la température choisie est basse, plus les aliments restent frais plus longtemps.

14.1 Conseils pour ranger des produits alimentaires dans le compartiment réfrigération

- Stockez uniquement des aliments frais et intacts.
- Conservez les aliments dans un récipient hermétique ou couvert.
- Pour ne pas entraver la circulation de l'air et éviter que les aliments ne gèlent, ne placez pas les aliments devant les orifices de ventilation internes ni en contact direct avec la paroi arrière.
- Laissez les boissons et aliments chauds refroidir avant de les ranger.
- Respectez la date de péremption ou la date limite d'utilisation indiquée par le fabricant.

14.2 Zones froides du réfrigérateur

Le système de refroidissement par recirculation d'air laisse circuler l'air de manière homogène dans le compartiment réfrigération et garantit une température constante au niveau de toutes les clayettes.

Zone la plus froide

La partie inférieure près du panneau arrière est la zone la plus froide.

Conseil : Dans le compartiment fraîcheur ou le compartiment à température variable, conservez les aliments facilement périssables, par exemple le poisson,

la charcuterie et la viande.

→ "Compartiment fraîcheur", Page 52

→ "Compartiment à température variable", Page 53

15 Compartiment fraîcheur

Vous pouvez conserver les aliments frais jusqu'à trois fois plus longtemps dans le compartiment fraîcheur par rapport au compartiment réfrigération.

La température peut être réglée de 32°F (0°C) à 37°F (3°C) grâce à des réglages de paliers prédéfinis.

La qualité des aliments stockés est mieux préservée par leur stockage au frais. La basse température et l'humidité optimale de l'air créent des conditions de rangement idéales pour les produits alimentaires frais.

15.1 Recommandations de paliers dans le compartiment fraîcheur

Réglage de stockage	Aliments
Beverage	Boissons
Vegetable	Légumes
Fruit	Fruits
Variety	Denrées mélangées avec fruits et légumes
Fish	Poisson et fruits de mer
Deli	Épicerie fine
Cheese	Fromage et produits laitiers
Charcuterie	Épicerie fine, fromage et produits laitiers
Meat	Viande et charcuterie

Conseil : Les fruits, les légumes, les boissons et les encas peuvent être congelés à une température inférieure à 32 °F (0 °C).

Utilisez les réglages de stockage et uniquement pour "Meat" et "Fish".

16 Compartiment congélation

Dans le compartiment congélation, vous pouvez stocker des aliments congelés, congeler des aliments et confectionner des glaçons.

La température est réglable de 6 °F (-14 °C) à -7 °F (-22 °C).

La température de stockage à long terme des aliments doit se situer à 0 °F (-18 °C) ou encore plus bas.

La congélation vous permet de stocker les aliments facilement périssables à long terme. Les basses températures ralentissent ou stoppent la l'altération des aliments.

16.1 Conseils pour ranger des aliments dans le compartiment congélation

- Conservez les aliments dans des emballages hermétiques.
- Veillez à ce que les aliments à congeler n'entrent pas en contact avec d'autres déjà congelés.
- Répartissez les aliments sur une grande surface dans le bac à produits congelés suspendu.

16.2 Conseils pour congeler des aliments frais

- Congelez uniquement des aliments frais et d'un aspect impeccable.
- Congelez les aliments en portions.
- Les plats cuisinés sont plus appropriés que les aliments crus comestibles.
- Lavez, hachez et blanchissez les légumes avant de les congeler.
- Avant la congélation, lavez les fruits, retirez les pépins et épluchez les fruits si nécessaire, ajoutez du sucre ou une solution d'acide ascorbique si nécessaire.
- Les produits de boulangerie, le poisson et les fruits de mer, la viande, le gibier et la volaille, les œufs sans coquille, le fromage, le beurre, le caillé, les plats préparés et les restes se prêtent à la congélation.
- La laitue, les radis, les œufs en coquille, les raisins, les pommes et poires crues, le yaourt, la crème aigre, la crème fraîche et la mayonnaise ne se prêtent pas à la congélation.

Emballer les surgelés

Un matériau d'emballage approprié et le bon type d'emballage sont essentiels pour maintenir la qualité du produit et éviter les brûlures de congélation.

1. Placez les aliments dans l'emballage.
2. Pressez pour chasser l'air.
3. Fermez hermétiquement l'emballage afin que les aliments ne perdent pas leur saveur ou ne se dessèchent pas.
4. Indiquez sur l'emballage le contenu et la date de congélation.

16.3 Méthodes de décongélation pour aliments congelés

⚠ MISE EN GARDE

Lors de la décongélation, les bactéries peuvent se multiplier et les aliments congelés peuvent s'abîmer.

- ▶ Ne remettez pas à congeler des produits alimentaires partiellement ou entièrement décongelés.
- ▶ Ne recongelez les aliments qu'après avoir les avoir fait cuire ou rôtir.
- ▶ N'utilisez plus la durée de conservation dans son intégralité.
- Décongelez les aliments d'origine animale dans le compartiment réfrigération, par exemple le poisson, la viande, le fromage et le lait caillé.
- Décongelez le pain à température ambiante.
- Préparez les aliments au micro-ondes, au four ou sur la table de cuisson pour une consommation immédiate.

17 Compartiment à température variable

Utilisez le compartiment à température variable comme réfrigérateur et stockez les aliments via des réglages de stockage prédéfinis. Ou utilisez le compartiment à température variable comme congélateur et congeler les aliments en douceur à des températures plus basses. La température peut être réglée de 0 °F (-18 °C) à 39 °F (4 °C) grâce à des réglages de palier prédéfinis.

17.1 Recommandations de conservation dans le compartiment à température variable

Découvrez ici quel réglage de palier vous pouvez utiliser dans le compartiment à température variable.

Réglage de stockage	Aliments
❄ Freezer	Voir Congélateur → Page 53
🍷 Soft Freeze	Congélation facile, par exemple de la viande, de la charcuterie et du poisson, ainsi que des aliments en purée
🍷 Fridge	Voir Réfrigérateur → Page 52
🍷 Beverage	Boissons
🍷 Meat/Fish	Viande et poisson
🍷 Deli/Cheese	Épicerie fine, fromage et produits laitiers
🍷 Pastry	Gâteaux et pâtisseries

18 Système hydraulique

Votre appareil est doté de composants contenant de l'eau. Le système hydraulique fonctionne uniquement si un filtre à eau ou un capuchon bypass est installé. Désactivez la production de glaçons avant de débrancher l'appareil du raccord d'eau potable. → Page 56

18.1 Filtre à eau

Le filtre à eau filtre les particules et le goût de chlore de l'eau.

Le filtre à eau réduit d'autres impuretés, par exemple les chloramines, le plomb et les produits pharmaceutiques.

Remarque : Le filtre à eau ne filtre pas les bactéries ou microbes.

Changez le filtre à eau :

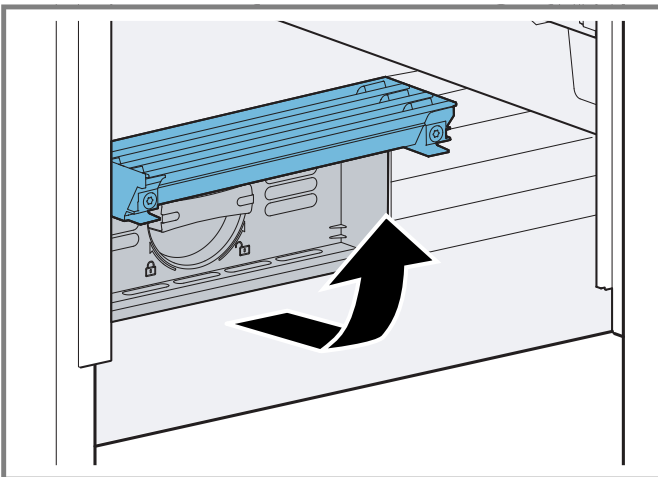
- tous les 6 mois.
- lorsque ⚠ "Filter is expired." s'allume.
- lorsque le débit d'eau est visiblement réduit.
- lorsque la production de glaçons est visiblement réduite.

Conseils

- Pour un filtre à eau neuf, adressez-vous à notre service après-vente, à votre revendeur ou consultez notre site Web.
- Si vous ne souhaitez pas utiliser de filtre à eau dans votre appareil ou faire installer un système de filtre à eau externe, vous pouvez remplacer le filtre à eau de façon permanente par un capuchon bypass. Le capuchon bypass filtre uniquement les particules grossières de l'eau et peut être nettoyé si nécessaire. Pour un capuchon bypass, adressez-vous à notre service après-vente ou consultez notre site Web.

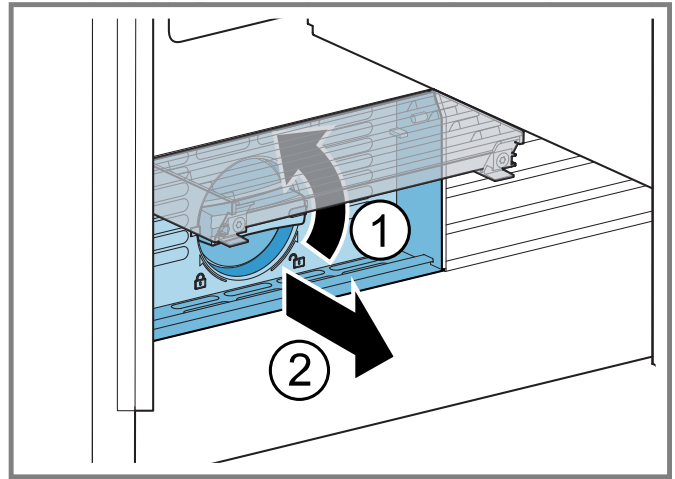
Changer le filtre à eau ou le remplacer par un capuchon bypass

1. Ouvrir le couvercle du filtre vers le haut.



2. Tournez le filtre à eau de 90° dans le sens inverse des aiguilles d'une montre ① et retirez ②.

- Retirez le filtre à eau avec précaution car il peut se trouver sous pression.



Remarque : Une partie de l'eau s'égoutte du filtre à eau lorsque vous le retirez. Essuyez l'eau qui s'égoutte avec un essuie-tout sec.

Conseil : Vous pouvez jeter le filtre à eau usé avec les ordures ménagères.

3. Poussez le nouveau filtre à eau ou capuchon bypass jusqu'en butée dans l'ouverture du filtre, puis faites-le pivoter à 90° dans le sens horaire.
4. Fermer le couvercle du filtre.
5. Jetez tous les glaçons produits au cours des premières 24 heures, prélevez de l'eau pendant 5 minutes et jetez-la.

18.2 Distributeur d'eau

Prélevez de l'eau froide du distributeur d'eau.

Mettre en service le distributeur d'eau

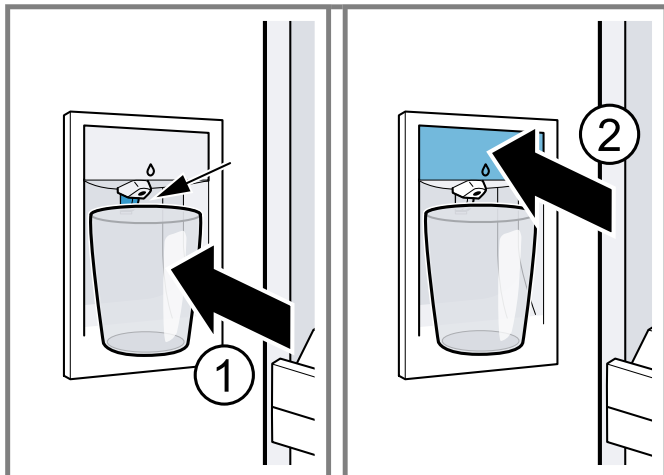
Remarque : Le système hydraulique d'un appareil nouvellement branché, ou pourvu d'un filtre à eau neuf, contient de l'air.

Exigence : L'appareil est raccordé à l'eau potable.

1. Faites couler l'eau jusqu'à ce qu'elle ne contienne plus de bulles d'air.
Essuyez les éclaboussures d'eau avec un essuie-tout sec.
2. Pour des raisons d'hygiène, prélevez et jetez l'eau produite pendant 5 minutes.

Prélever de l'eau

- ▶ Appuyez le verre contre le bouton de retrait ① ou placez le verre sous le distributeur d'eau et appuyez sur Ô②.



Remarques

- Après un certain temps de prélèvement continu, le distributeur d'eau et de glace s'arrête. Patientez quelques secondes avant de prélever à nouveau de l'eau.
- Après quelques cycles de prélèvement consécutifs, le distributeur d'eau et de glace s'arrête. Patientez quelques minutes avant de prélever à nouveau de l'eau.

Verrouillage des touches du distributeur d'eau

Le verrouillage des touches empêche toute utilisation involontaire ou incorrecte du distributeur d'eau.

Activer le verrouillage des touches du distributeur d'eau

1. Accédez au Water en balayant.
 2. Maintenez Hold to unlock enfoncé jusqu'à ce que le bandeau lumineux s'allume entièrement.
- ✓ Lock icon s'allume.

Désactiver le verrouillage des touches du distributeur d'eau

1. Accédez au Water en balayant.
 2. Maintenez Lock Water enfoncé jusqu'à ce que le bandeau lumineux s'allume entièrement.
- ✓ Les favoris du volume de remplissage d'eau s'allument.

Volume de remplissage d'eau

Votre appareil est équipé en usine de 4 volumes de remplissage d'eau qui sont enregistrés comme favoris à l'affichage.

Les volumes de remplissage d'eau prédéfinis peuvent être adaptés ou supprimés.

Retirer un favori

1. Accédez au Water en balayant.
2. Appuyez sur le favori souhaité.

3. Placez un verre sous le distributeur d'eau et appuyez sur Ô jusqu'à ce que le volume de remplissage d'eau soit entièrement prélevé.

Enregistrer de nouveaux favoris

Remarque : Vous pouvez enregistrer au maximum 6 volumes de remplissage d'eau.

1. Accédez au Water en balayant.
 2. Placez un verre sous le distributeur d'eau et appuyez sur Ô jusqu'à ce que le volume de remplissage d'eau souhaité soit entièrement prélevé.
 3. Appuyez sur Save as Favourite.
 4. Appuyez sur le nom souhaité.
 5. Appuyez sur la couleur souhaitée.
 6. Appuyez sur
- ✓ Le nouveau favori est enregistré.

Adapter un favori

1. Accédez au Water en balayant.
 2. Appuyez sur le favori souhaité.
 3. Appuyez sur
 4. Appuyez sur le nom souhaité et confirmez avec
 5. Appuyez sur la couleur souhaitée et confirmez avec
- ✓ Le favori est adapté.

Supprimer un favori

1. Accédez au Water en balayant.
 2. Appuyez sur le favori souhaité.
 3. Appuyez sur
 4. Appuyez sur Delete favourite et confirmez avec Yes, delete.
- ✓ Le favori est supprimé.

18.3 Distributeur de glaçons

Utilisez les différentes fonctions du distributeur de glaçons pour produire des glaçons.


AVERTISSEMENT

Les pièces rotatives peuvent provoquer des blessures.

- ▶ Ne passez jamais la main sous ou dans le distributeur de glaçons.

Regular Ice	Production de petits glaçons
Large Ice	Production de grands glaçons
Quick Ice	Accélération de la production de glaçons

Remarque : "Quick Ice" est uniquement disponible lorsque la production de glaçons est activée.

Remarque : Le distributeur de glaçons détecte automatiquement que la réserve à glaçons est pleine et arrête la production de glaçons. L'écran indique . Le remplissage de la réserve à glaçons peut prendre jusqu'à 48 heures.

Conseil : Si les glaçons ont un goût désagréable, jetez les glaçons restants et la production de glaçons des 24 heures suivantes. Si les glaçons continuent à avoir mauvais goût par la suite, changez le filtre à eau.

Mettre en service le distributeur de glaçons

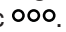
Remarques

- La production de glaçons démarre dès que l'appareil est allumé et que le compartiment congélation a atteint la température réglée.
- Les premiers glaçons sont prêts environ 4 heures après que le compartiment congélation ait atteint la température réglée.

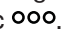
Exigence : L'appareil est raccordé à l'eau potable.

- ▶ Pour des raisons d'hygiène, jetez tous les glaçons produits pendant les 24 premières heures.

Lancer la production de glaçons

1. Appuyez sur le réglage du distributeur de glaçons et confirmez avec .
2. Lancez la production de glaçons souhaitée.

Arrêter la production de glaçons

1. Appuyez sur le réglage du distributeur de glaçons et confirmez avec .
2. Arrêtez la production de glaçons souhaitée.

19 Dégivrer

19.1 Dégivrer le compartiment réfrigération

Le compartiment réfrigération de votre appareil se dégèle automatiquement.

19.2 Dégivrer le compartiment fraîcheur

Le compartiment fraîcheur de votre appareil se dégèle automatiquement.

19.3 Dégivrer le compartiment congélation

Grâce au système « NoFrost » entièrement automatique, le compartiment congélation ne se couvre pas de givre. Aucun dégivrage n'est nécessaire. Aucun dégivrage n'est nécessaire.

19.4 Décongeler dans le compartiment à température variable

Le compartiment à température variable de votre appareil décongèle automatiquement.

20 Nettoyage et entretien

Pour que votre appareil reste longtemps opérationnel, nettoyez-le et entretenez-le avec soin.

Le nettoyage de points inaccessibles doit être réalisé par le service après-vente. Le nettoyage par le service après-vente peut engendrer des frais.

20.1 Consignes d'entretien pour les surfaces en inox

Pour l'entretien et le nettoyage des surfaces en inox, utilisez uniquement des produits de nettoyage et des chiffons adaptés à l'acier inoxydable.

Conseils

- Pour éviter les rayures visibles, essuyez la surface en inox dans le sens de sa structure.
- Vous pouvez vous procurer des produits de nettoyage et des chiffons appropriés auprès de notre Service après-vente, de votre revendeur ou sur notre site Web.

20.2 Préparer l'appareil pour le nettoyage

1. Éteindre l'appareil.
2. Débranchez l'appareil du réseau électrique.
Retirez la fiche du cordon d'alimentation secteur ou désactivez le fusible dans la boîte à fusibles.
3. Retirez tous les aliments de l'appareil et rangez-les dans un endroit frais.
Si possible, placez des accumulateurs de froid sur les aliments.
4. Retirez toutes les pièces d'équipement et les accessoires de l'appareil. → Page 57

20.3 Nettoyer l'appareil

⚠ AVERTISSEMENT

L'humidité qui pénètre peut occasionner une électrocution.

- ▶ N'utilisez pas de nettoyeur haute pression ou de nettoyeur à vapeur pour nettoyer l'appareil.

AVIS :

Les produits de nettoyage inappropriés risquent d'endommager la surface de l'appareil.

- ▶ N'utilisez pas de tampon abrasif ni d'éponge en laine d'acier.
- ▶ N'utilisez pas de produits de nettoyage agressifs ou récurants.
- ▶ N'utilisez pas de produits de nettoyage fortement alcoolisés,

Si vous nettoyez les pièces d'équipement et les accessoires au lave-vaisselle, ceux-ci risquent de se déformer ou de déteindre.

- ▶ Ne nettoyez jamais les équipements et accessoires au lave-vaisselle.

1. Préparez l'appareil pour le nettoyage. → Page 56
2. Nettoyez l'appareil, les pièces d'équipement, les accessoires et les joints de porte avec une lavette, de l'eau tiède et du produit à vaisselle présentant un pH neutre.
3. Séchez ensuite minutieusement avec un chiffon doux et sec.
4. Insérez les pièces d'équipement.
5. Raccordez l'appareil électriquement. → Page 39
6. Mettez l'appareil sous tension.
7. Rangez les aliments.

20.4 Nettoyer la caméra

Si la température ou l'humidité change, l'objectif de la caméra peut s'embuer.

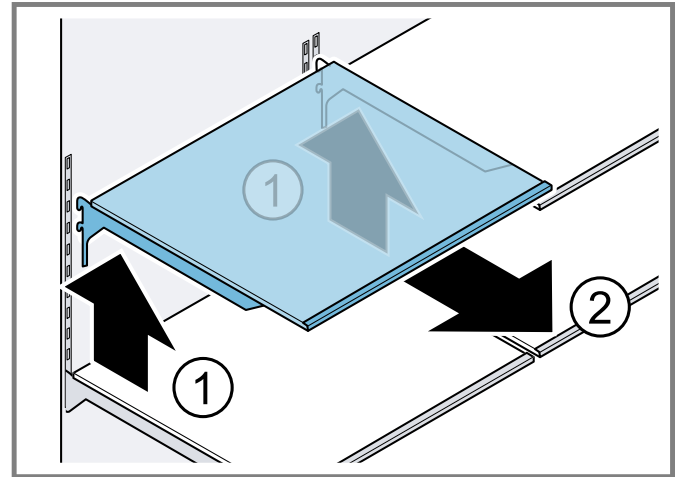
1. Nettoyez la caméra à l'aide d'un chiffon en microfibras.
2. Nettoyez l'objectif de la caméra à l'aide d'un chiffon en microfibre et d'un produit hydrophobe du commerce.

20.5 Retirer les pièces d'équipement

Si vous souhaitez nettoyer soigneusement les pièces d'équipement, retirez celles-ci de votre appareil.

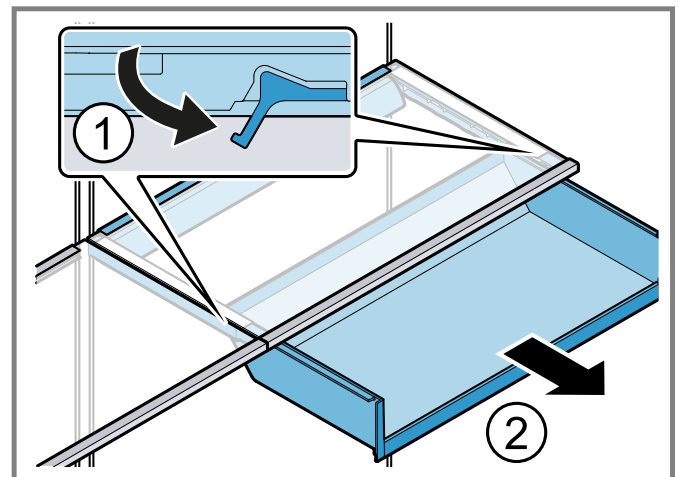
Retirer la clayette

- ▶ Soulevez la clayette ① et retirez-la ②.



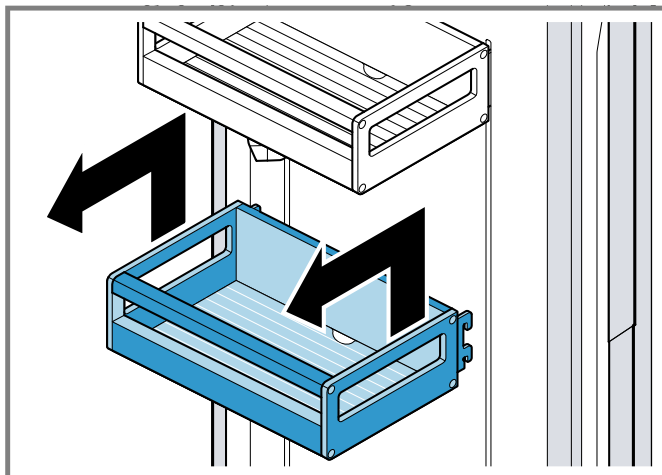
Retirer le bac à snacks

1. Extraire le bac à snacks jusqu'en butée.
2. Sous le bac à snacks, appuyer de chaque côté sur la sécurité des glissières vers le bas ① et retirer le bac à snacks ②.



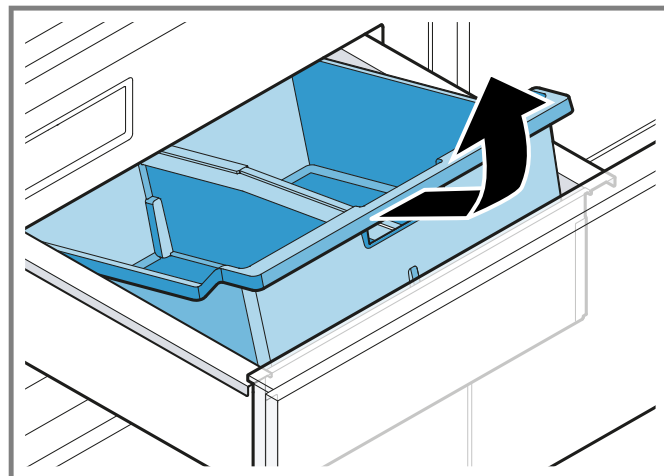
Retirer le compartiment de contre-porte

- ▶ Soulevez le compartiment dans la contre-porte vers le haut et retirez-le.



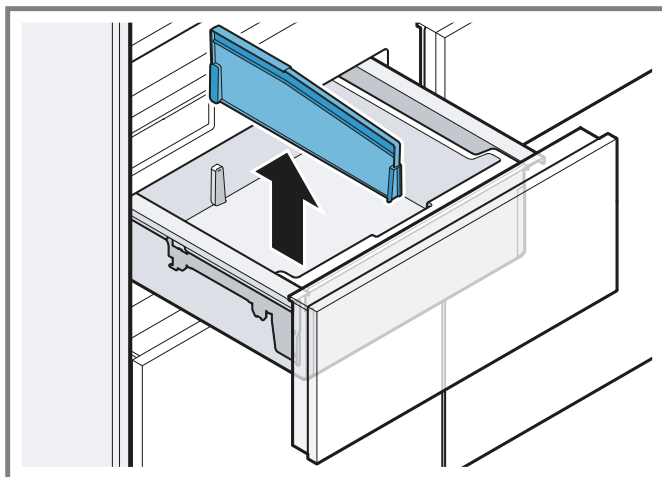
Retirer la réserve à glaçons

- ▶ Retirez la réserve à glaçons par le haut.



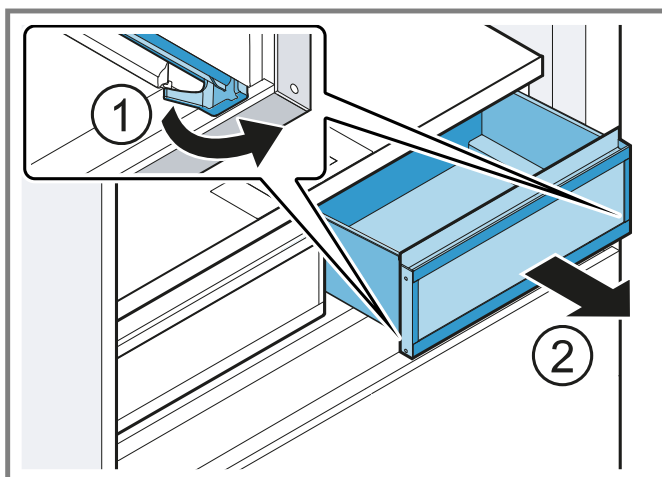
Retirer le séparateur de récipient

- ▶ Soulevez, puis retirez le séparateur de bac.



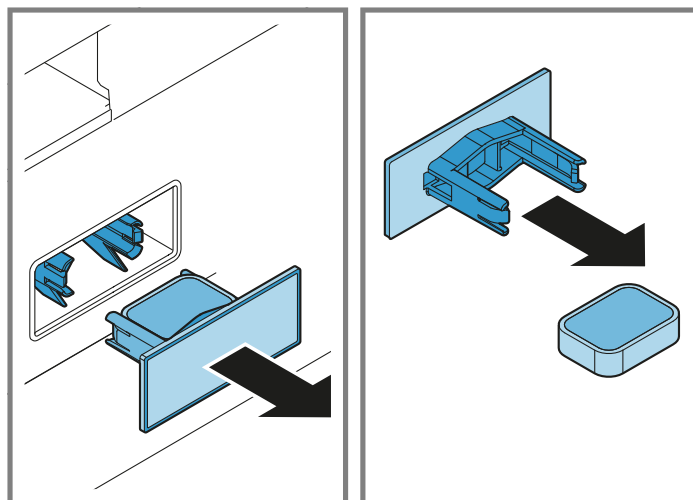
Retirer le bac fraîcheur

1. Extrayez le bac fraîcheur jusqu'en butée.
2. Sous le bac fraîcheur, appuyer des deux côtés sur la sécurité des glissières de l'intérieur vers l'extérieur ① et retirer le bac fraîcheur ②.



20.6 Remplacer le filtre anti-odeurs

1. Retirer le support du filtre anti-odeurs.
2. Retirer le filtre anti-odeurs usagé de son support et le remplacer par le nouveau filtre anti-odeurs.



Remarque : Pour un filtre anti-odeurs neuf, adressez-vous à notre service après-vente ou consultez notre site Web.

21 Dépannage



Vous pouvez éliminer vous-même les défauts mineurs de votre appareil. Veuillez lire les informations de dépannage avant de contacter le service à la clientèle. Cela peut éviter des frais de réparation inutiles.

AVERTISSEMENT

Pour éviter tout risque de blessure dû à des réparations incorrectes, respectez les points suivants.

- ▶ Seuls des techniciens qualifiés ou des prestataires de services agréés peuvent effectuer des réparations.

- ▶ Seules des pièces de rechange d'origine peuvent être utilisées pour réparer l'appareil.
- ▶ Si le cordon d'alimentation secteur ou le cordon d'alimentation de l'appareil est endommagé, ils doivent être remplacés par des cordons spécifiques disponibles auprès du fabricant ou de son service après-vente.

Défaut	Cause et dépannage
L'appareil ne réfrigère pas, les affichages et l'éclairage sont allumés.	L'appareil se trouve sur le mode Exposition. <ol style="list-style-type: none"> 1. Accédez au "Service" en balayant. 2. Appuyez sur "Advanced Service". 3. Appuyez sur "Demo Mode" .
L'éclairage par LED ne fonctionne pas.	Ce problème peut avoir de nombreuses causes. <ul style="list-style-type: none"> ▶ Appelez le service après-vente. → "Service à la clientèle", Page 63
Le groupe frigorifique s'enclenche plus souvent et plus longtemps.	L'appareil a été ouvert fréquemment. <ul style="list-style-type: none"> ▶ N'ouvrez pas la porte de l'appareil inutilement. <p>Les orifices de ventilation extérieurs sont recouverts. <ul style="list-style-type: none"> ▶ Retirez les obstacles situés devant les orifices de ventilation extérieurs. <p>Il ne s'agit pas d'un défaut. Les appareils frigorifiques modernes se mettent en marche plus souvent et ont différents niveaux de puissance afin de refroidir plus efficacement. <ul style="list-style-type: none"> ▶ Retirez les obstacles situés devant les orifices de ventilation extérieurs. ▶ Installez l'appareil aussi loin que possible des radiateurs, des cuisinières et des autres sources de chaleur. Évitez toute exposition prolongée de l'appareil aux rayons directs du soleil. ▶ N'ouvrez la porte de l'appareil que le temps nécessaire. ▶ Laissez d'abord les boissons et aliments chauds refroidir avant de les ranger. </p></p>
Une couche de givre se forme sur la paroi arrière du compartiment réfrigération.	Il ne s'agit pas d'un défaut. Les appareils frigorifiques modernes assurent une température uniforme dans le compartiment réfrigération. La paroi arrière du compartiment réfrigération est régulièrement décongelée automatiquement. <ul style="list-style-type: none"> ▶ N'ouvrez la porte de l'appareil que le temps nécessaire. ▶ Emballez les aliments hermétiquement ou couvrez-les. ▶ Laissez d'abord les boissons et aliments chauds refroidir avant de les ranger. ▶ Laissez toujours un peu d'espace entre les aliments et les parois intérieures.
Home Connect® ne fonctionne pas correctement.	Ce problème peut avoir de nombreuses causes. <ul style="list-style-type: none"> ▶ Rendez-vous sur www.home-connect.com.
Les caméras ne prennent pas de photo.	Les caméras ne sont pas activées dans Home Connect. <ul style="list-style-type: none"> ▶ Activez les caméras. <p>Les caméras ne sont pas étalonnées. <ol style="list-style-type: none"> 1. Éteignez l'appareil. 2. Débranchez l'appareil du secteur. Retirez la fiche du cordon d'alimentation secteur ou désactivez le fusible dans le boîtier à fusibles. 3. Raccordez à nouveau l'appareil après 5 minutes. 4. Allumez l'appareil à l'aide de l'interrupteur principal. → "Appareil", Fig.  1/13, Page 41 </p>

Défaut	Cause et dépannage
Les caméras ne prennent pas de photo.	<ol style="list-style-type: none"> 5. Fermez les portes de l'appareil, patientez 3 minutes. 6. Si le dysfonctionnement persiste, appelez le Service après-vente. → <i>Page 63</i>
Les caméras prennent des photos floues.	<p>La porte de l'appareil a été fermée trop rapidement.</p> <ul style="list-style-type: none"> ▶ Fermez la porte de l'appareil lentement. <hr/> <p>L'objectif de la caméra est embué. La porte de l'appareil a été ouverte trop longtemps.</p> <ol style="list-style-type: none"> 1. Nettoyez les caméras. → <i>Page 57</i> 2. Ne laissez pas la porte de l'appareil ouverte trop longtemps. <hr/> <p>Le film antibuée est endommagé.</p> <ul style="list-style-type: none"> ▶ Appelez le service après-vente. → <i>"Service à la clientèle", Page 63</i>
Il manque des photos, elles ne sont pas cadrées ou affichent un mauvais angle.	<p>Les caméras ne sont pas étalonnées.</p> <ol style="list-style-type: none"> 1. Éteignez l'appareil. 2. Débranchez l'appareil du secteur. Retirez la fiche du cordon d'alimentation secteur ou désactivez le fusible dans le boîtier à fusibles. 3. Raccordez à nouveau l'appareil après 5 minutes. 4. Allumez l'appareil à l'aide de l'interrupteur principal. → <i>"Appareil", Fig. 1/13, Page 41</i> 5. Fermez les portes de l'appareil, patientez 3 minutes. 6. Si le dysfonctionnement persiste, appelez le Service après-vente. → <i>Page 63</i>
Un message avec "D" ou "E" apparaît sur l'affichage.	<p>L'électronique a détecté un défaut.</p> <ol style="list-style-type: none"> 1. Éteignez l'appareil. 2. Débranchez l'appareil du secteur. Retirez la fiche du cordon d'alimentation secteur ou désactivez le fusible dans le boîtier à fusibles. 3. Raccordez à nouveau l'appareil après 5 minutes. 4. Si ce message persiste, contactez le service après-vente. → <i>"Service à la clientèle", Page 63</i>
Une alarme sonore retentit et "Door Alarm" apparaît. L'alarme de porte est activée.	<p>La porte de l'appareil est ouverte.</p> <ul style="list-style-type: none"> ▶ Fermez la porte de l'appareil.
Une alarme sonore retentit et "Freezer High Temp. Alarm" s'allume. L'alarme de température est activée.	<p>Ce problème peut avoir de nombreuses causes.</p> <ol style="list-style-type: none"> 1. Appuyez sur "Yes, see highest temp." et confirmez avec "OK". ✓ L'alarme s'éteint. 2. Vérifiez après quelques heures si la température réglée dans le compartiment congélation a de nouveau été atteinte. <hr/> <p>L'appareil est rempli de grandes quantités de produits alimentaires frais.</p> <ul style="list-style-type: none"> ▶ Ne dépassez pas la capacité de congélation.
La température dévie fortement par rapport au réglage.	<p>Ce problème peut avoir de nombreuses causes.</p> <ol style="list-style-type: none"> 1. Éteignez l'appareil. 2. Allumez à nouveau l'appareil après env. 5 minutes. <ul style="list-style-type: none"> – Si la température est trop élevée, vérifiez-la à nouveau au bout de quelques heures. – Si la température est trop basse, vérifiez-la à nouveau le jour suivant.
De l'eau fuit de l'appareil.	<p>Le raccord d'eau ou le tuyau d'eau n'est pas étanche.</p> <ul style="list-style-type: none"> ▶ Assurez-vous que les raccordements d'eau sont bien serrés et que le tuyau d'eau n'est pas endommagé. Si nécessaire, remplacez le tuyau d'eau.

Défaut	Cause et dépannage
La distribution d'eau est réduite.	<p>La pression de l'eau est basse.</p> <ul style="list-style-type: none"> ▶ Vérifiez la pression d'eau au niveau de l'alimentation en eau ou du système de filtre à eau externe, par exemple, l'installation d'osmose inverse. <p>Raccordez l'appareil uniquement à un raccordement d'eau ayant une pression suffisante. → <i>Page 38</i></p> <hr/> <p>Le filtre à eau est bouché.</p> <ul style="list-style-type: none"> ▶ Changez le filtre à eau.
De l'eau s'égoutte du distributeur d'eau.	<p>Le système hydraulique contient de l'air.</p> <ul style="list-style-type: none"> ▶ Retirez de l'eau jusqu'à ce qu'il n'y ait plus d'air.
Le distributeur d'eau ne fonctionne pas.	<p>Aucune alimentation en eau.</p> <ul style="list-style-type: none"> ▶ Assurez-vous qu'il y a une alimentation en eau et que la vanne d'arrêt sur le raccordement d'eau est ouverte. <p>Contactez un installateur si nécessaire.</p> <hr/> <p>Le tube d'entrée est plié.</p> <ul style="list-style-type: none"> ▶ Fermez l'alimentation en eau et redressez le coude du tuyau d'eau. <p>Si nécessaire, remplacez le tuyau d'eau.</p>
Les glaçons sont produits en quantité insuffisante.	<p>L'appareil a été raccordé.</p> <ul style="list-style-type: none"> ▶ Patientez environ 4 heures jusqu'à ce que la première production de glaçons soit prête. <hr/> <p>Le compartiment congélation a été ouvert fréquemment ou pendant une longue période.</p> <ul style="list-style-type: none"> ▶ Vérifiez au bout de quelques heures la production de glaçons. <hr/> <p>La pression de l'eau est basse.</p> <ul style="list-style-type: none"> ▶ Vérifiez la pression d'eau au niveau de l'alimentation en eau ou du système de filtre à eau externe, par exemple, l'installation d'osmose inverse. <p>Raccordez l'appareil uniquement à un raccordement d'eau ayant une pression suffisante. → <i>Page 38</i></p> <hr/> <p>Le filtre à eau est bouché.</p> <ul style="list-style-type: none"> ▶ Changez le filtre à eau. <hr/> <p>Des aliments ou des objets bloquent le capteur de niveau du distributeur de glaçons.</p> <ul style="list-style-type: none"> ▶ Enlevez tous les objets ou aliments du bac à glaçons. <hr/> <p>Dysfonctionnement du distributeur de glaçons.</p> <ol style="list-style-type: none"> 1. Éteignez l'appareil. 2. Débranchez l'appareil du secteur. Retirez la fiche du cordon d'alimentation secteur ou désactivez le fusible dans le boîtier à fusibles. 3. Raccordez à nouveau l'appareil après 5 minutes. 4. Si le dysfonctionnement persiste, appelez le Service après-vente. → <i>Page 63</i>
Le distributeur de glaçons ne fonctionne pas.	<p>La production de glaçons est désactivée.</p> <ul style="list-style-type: none"> ▶ Lancez la production de glaçons. → <i>Page 56</i> <hr/> <p>Aucune alimentation en eau.</p> <ul style="list-style-type: none"> ▶ Assurez-vous qu'il y a une alimentation en eau et que la vanne d'arrêt sur le raccordement d'eau est ouverte. <p>Contactez un installateur si nécessaire.</p> <hr/> <p>Le tube d'entrée est plié.</p> <ul style="list-style-type: none"> ▶ Fermez l'alimentation en eau et redressez le coude du tuyau d'eau. <p>Si nécessaire, remplacez le tuyau d'eau.</p> <hr/> <p>Dysfonctionnement du distributeur de glaçons.</p>

Défaut	Cause et dépannage
Le distributeur de glaçons ne fonctionne pas.	<ol style="list-style-type: none"> 1. Éteignez l'appareil. 2. Débranchez l'appareil du secteur. Retirez la fiche du cordon d'alimentation secteur ou désactivez le fusible dans le boîtier à fusibles. 3. Raccordez à nouveau l'appareil après 5 minutes. 4. Si le dysfonctionnement persiste, appelez le Service après-vente. → <i>Page 63</i>
L'appareil vrombit, fait des bulles, des bourdonnements, des cliquetis, des claquements ou des grondements.	Il ne s'agit pas d'un défaut. Un moteur tourne, par ex. groupe frigorifique, ventilateur. Du fluide frigorigène circule dans les tuyaux. Le moteur, les interrupteurs, les électrovannes et les vannes à eau s'allument ou s'éteignent. Le dégivrage automatique est en cours. Les glaçons tombent dans le bac à glaçons. Aucune action nécessaire.
L'appareil émet des bruits.	<p>L'appareil ne repose pas d'aplomb.</p> <ul style="list-style-type: none"> ▶ Nivelez l'appareil à l'aide d'un niveau à bulle et des pieds à vis. <p>Les pièces d'équipement vacillent ou se coincent.</p> <ul style="list-style-type: none"> ▶ Vérifiez les pièces d'équipement amovibles et remettez-les éventuellement en place correctement. <p>Des bouteilles ou récipients se touchent.</p> <ul style="list-style-type: none"> ▶ Écartez les récipients ou bouteilles les uns des autres. <p>La fonction Super-congélation est activée.</p> <p>Aucune action nécessaire.</p>

21.1 Panne de courant

En cas de panne de courant, la température à l'intérieur de l'appareil augmente, ce qui raccourcit la durée de conservation et réduit la qualité des aliments congelés.

Remarques

- Ouvrez l'appareil le moins possible en cas de panne de courant et ne stockez pas d'autres aliments.
- Vérifiez la qualité des aliments immédiatement après la panne de courant.
 - Jetez les aliments congelés qui sont décongelés et dont la température est supérieure à 41 °F (5 °C).
 - Faites bouillir ou frire des aliments congelés légèrement décongelés et consommez-les ou recongelez-les.

22 Entreposage et mise au rebut

22.1 Mettre l'appareil hors service

1. Éteindre l'appareil.
2. Débranchez l'appareil du réseau électrique.
Retirez la fiche du cordon d'alimentation secteur ou désactivez le fusible dans la boîte à fusibles.
3. Débranchez l'appareil du raccordement à l'eau potable.
4. Retirez tous les aliments.
5. Démontez le filtre à eau.
6. Nettoyez l'appareil. → *Page 57*
7. Afin de garantir la ventilation de l'espace intérieur, laissez l'appareil ouvert.

22.2 Éliminer un appareil usagé

L'élimination dans le respect de l'environnement permet de récupérer de précieuses matières premières.

AVERTISSEMENT

Les enfants risquent de s'enfermer dans l'appareil et de mettre leur vie en danger.

- ▶ Retirez les portes de l'appareil.
- ▶ Pour compliquer la pénétration des enfants dans l'appareil, ne retirez pas les clayettes et les bacs.
- ▶ Éloignez les enfants de l'appareil qui a cessé de servir.

AVERTISSEMENT

En cas d'endommagement des tuyaux, du fluide frigorigène inflammable et des gaz nocifs peuvent s'échapper et s'enflammer.

- ▶ Veillez à ne pas endommager les tubulures du circuit frigorifique, ni l'isolant.

1. Débranchez la fiche du secteur.
2. Coupez le câble de raccordement secteur.
3. Retirez les portes de l'appareil.
4. Éliminez l'appareil dans le respect de l'environnement.
Pour connaître les circuits d'élimination actuels, veuillez vous adresser à votre revendeur ou à votre administration municipale.

23 Service à la clientèle

Lors de toute réparation réalisée dans le cadre de la garantie, nous nous assurons que votre appareil est réparé avec des pièces de rechange d'origine par un technicien dûment formé et agréé. Nous utilisons exclusivement des pièces de rechange d'origine lors des réparations.

Pour plus d'informations sur la durée et les conditions de la garantie dans votre pays, consultez nos modalités de garantie auprès de votre détaillant ou sur notre site Web. Si vous contactez le service à la clientèle, indiquez le numéro de modèle (E-Nr.), le numéro de fabrication (FD) et le numéro de comptage (Z-Nr.) de l'appareil.

USA:

1-800-735-4328

www.thermador.com/support

www.thermador.com/us/accessories

CA:

1-800-735-4328

www.thermador.ca

www.thermador.ca/fr/soutien/filtres-nettoyants-accessoires

Vous trouverez également de l'aide pour contacter

Home Connect® à l'adresse suivante :

www.home-connect.com/us/en/help-support/set-up

23.1 Numéro de modèle (E-Nr.), numéro de fabrication (FD) et numéro de comptage (Z-Nr.)

Le numéro de modèle (E-Nr.), le numéro de fabrication (FD) et le numéro de comptage (Z-Nr.) sont indiqués sur la plaque signalétique de l'appareil.

→ "Appareil", Fig. **1/16**, Page 41

Pour retrouver rapidement les données de votre appareil et le numéro de téléphone du service à la clientèle, n'hésitez pas à les recopier ailleurs.

24 Données techniques

La plaque signalétique mentionne le fluide frigorigène, le volume net ainsi que d'autres données techniques.

→ "Appareil", Fig. **1/16**, Page 41

24.1 Informations sur le logiciel libre

Ce produit comprend des composants logiciels distribués à titre de logiciel libre par le détenteur du droit d'auteur.

Les informations de licence correspondantes sont énoncées sur l'électroménager. Il est également possible d'accéder aux informations de licence via l'application Home Connect®; « Profil -> Consignes légales -> Informations de licence ». ¹ Vous pouvez télécharger les informations de licence sur le site Web du produit de marque. (Veuillez rechercher votre modèle d'appareil et la documentation connexe sur le site Web du produit.) Vous pouvez également demander les informations nécessaires

par courriel à l'adresse ossrequest@bshg.com ou par courrier à l'adresse BSH Hausgeräte GmbH, Carl-Wery-Str. 34, D-81739 München.

Le code source vous sera mis à votre disposition sur demande.

Veillez envoyer votre demande par courriel à l'adresse ossrequest@bshg.com ou par courrier à l'adresse BSH Hausgeräte GmbH, Carl-Wery-Str. 34, D-81739 München. Objet : „OSSREQUEST“

Les coûts de traitement de votre demande vous seront facturés. Cette offre est valide pour une durée de trois ans à compter de la date d'achat ou du moins pour la période durant laquelle nous offrons la prise en charge et des pièces de rechange pour l'appareil correspondant.

¹ selon l'équipement de l'appareil

Para más información, consulte la Guía del usuario digital.



Tabla de contenidos

1 Seguridad	66	8 Manejo básico	77
1.1 Definiciones de seguridad	66	8.1 Encender el aparato	77
1.2 Indicaciones generales	66	8.2 Advertencias relativas al funcionamiento del aparato	77
1.3 Uso previsto	66	8.3 Apagar el aparato	77
1.4 Limitación del grupo de usuarios	66	8.4 Ajustar la temperatura	77
1.5 Transporte seguro	66	8.5 Ajustes de almacenamiento del cajón fresco	77
1.6 Instalación segura	66	8.6 Bloqueo de teclas	78
1.7 Uso seguro	67	8.7 Ajuste de almacenamiento en el compartimento de temperatura variable	78
1.8 Aparato dañado	68	9 Ajustes básicos	78
1.9 Advertencias en virtud de la Proposición 65 del estado de California	69	9.1 Modificar los ajustes básicos	78
2 Evitar daños materiales	70	9.2 Vista general de los ajustes básicos	78
3 Protección del medio ambiente y ahorro	70	10 Funciones adicionales	80
3.1 Consejos para la eliminación del embalaje	70	10.1 Superfrío	80
3.2 Ahorrar energía	70	10.2 Función Supercongelación automática	80
4 Instalación y conexión	70	10.3 Supercongelación manual	80
4.1 Material entregado	70	10.4 Modo de compra	80
4.2 Requisitos para seleccionar el lugar de colocación	71	10.5 Modo vacaciones	80
4.3 Instalación del aparato	71	10.6 Modo de ahorro energético	81
4.4 Preparar el aparato para el primer uso	71	10.7 Iluminación interior	81
4.5 Conectar el aparato a la toma de agua	71	10.8 Modo Sabbath	81
4.6 Conectar el aparato a la red eléctrica	71	11 Alarma	81
5 Familiarizándose con el aparato	72	11.1 Alarma de la puerta	81
5.1 Aparato	72	11.2 Alarma de temperatura	81
5.2 Panel de control	73	12 Home Connect®	82
5.3 Panel de mando (compartimento de temperatura variable)	74	12.1 Configurar la aplicación Home Connect®	82
6 Equipamiento	75	12.2 Configurar Home Connect®	82
6.1 Bandeja	75	12.3 Diagnóstico Remoto	82
6.2 Cajón para aperitivos	75	12.4 Protección de datos	82
6.3 Cajón fresco	75	12.5 Estado de conexión de Home Connect®	83
6.4 Recipiente de temperatura variable	75	13 Ajustes de servicio	83
6.5 Separador de compartimentos	75	13.1 Modificar los ajustes de servicio	83
6.6 Cajón deslizante de productos congelados	75	13.2 Vista general de los ajustes de servicio	83
6.7 Recipiente suspendido para productos congelados	75	14 Compartimento de refrigeración	84
6.8 Estantes de la puerta para botellas	75	14.1 Consejos para el almacenamiento de alimentos en el compartimento de refrigeración	84
6.9 Depósito para cubitos de hielo	75	14.2 Zonas de frío del compartimento de refrigeración	85
6.10 Cámara	76	15 Compartimento fresco	85
6.11 filtro antiolores	76	15.1 Recomendaciones de almacenamiento en el compartimento fresco	85
6.12 Accesorios	76		
7 Antes de usar el aparato por vez primera	76		
7.1 Realizar la primera puesta en marcha	76		

16 Congelador	85
16.1 Consejos para colocar los alimentos en el congelador	85
16.2 Consejos para congelar alimentos frescos	85
16.3 Métodos de descongelación para productos congelados	86
17 Compartimiento de temperatura variable	86
17.1 Recomendaciones de almacenamiento en el compartimiento de temperatura variable	86
18 Sistema de agua	86
18.1 Filtro de agua	86
18.2 Dispensador de agua	87
18.3 Fabricador de cubitos de hielo	88
19 Descongelación	89
19.1 Desescarchar el compartimiento de refrigeración..	89
19.2 Desescarchar el compartimiento fresco	89
19.3 Descongelación dentro del congelador	89
19.4 Descongelar en el compartimiento de temperatura variable	89
20 Limpieza y cuidados	89
20.1 Indicación para la conservación de superficies de acero inoxidable	89
20.2 Preparar el aparato para su limpieza	89
20.3 Limpiar el aparato	89
20.4 Limpiar la cámara	89
20.5 Retirar elementos del aparato	90
20.6 Sustituir el filtro desodorizante	91
21 Solucionar pequeñas averías	92
21.1 Interrupción del suministro eléctrico	95
22 Almacenamiento y eliminación	95
22.1 Interrumpir el funcionamiento del aparato	95
22.2 Eliminación de los aparatos usados	96
23 Servicio de atención al cliente	96
23.1 Número de modelo (E-Nr.), número de fabricación (FD) y número de conteo (Z-Nr.)	96
24 Datos técnicos	96
24.1 Informaciones referentes al software libre y de código abierto	96



INSTRUCCIONES DE SEGURIDAD IMPORTANTES

LEA Y CONSERVE ESTAS INSTRUCCIONES

Tenga en cuenta las siguientes indicaciones de seguridad.

1.1 Definiciones de seguridad

Aquí puede encontrar explicaciones de las palabras de señal de seguridad utilizadas en este manual.

ADVERTENCIA

Esto indica que pueden producirse la muerte o heridas graves si no se cumple con esta advertencia.

PRECAUCIÓN

Esto indica que pueden producirse heridas leves o moderadas si no se cumple con esta advertencia.

AVISO:

Esto indica que pueden producirse daños en el aparato o en los bienes si no se cumple con este aviso.

Nota: Esto alerta sobre información o sugerencias importantes.

1.2 Indicaciones generales

- Lea atentamente estas instrucciones.
- Guarde las instrucciones y la información del producto para consultas posteriores o para el próximo propietario.
- El aparato no debe conectarse en caso de haber sufrido daños durante el transporte.

1.3 Uso previsto

Utilizar este aparato solo:

- para refrigerar y congelar alimentos, así como para preparar cubitos de hielo y extraer agua.
- en el uso doméstico privado y en espacios cerrados del entorno doméstico.
- hasta una altura de 2000 m sobre el nivel del mar.

1.4 Limitación del grupo de usuarios

Este aparato no está diseñado para ser utilizado por personas (incluidos niños) con capacidades físicas, sensoriales o mentales reducidas, o falta de experiencia y conocimiento, a menos que sean supervisados o instruidos acerca del uso del aparato por una persona responsable de su seguridad.

Impida que los niños jueguen con el aparato.

La limpieza y el cuidado del aparato a cargo del usuario no deberán ser efectuados por niños si no cuentan con la supervisión de una persona adulta responsable.

1.5 Transporte seguro

ADVERTENCIA

El aparato es muy pesado, con más peso en la parte superior, y se puede volcar.

- ▶ El aparato debe ser transportado por dos o más personas.
- ▶ Retirar el aparato del palet solo cuando esté listo para la instalación.
- ▶ Mantener cerradas las puertas y los cajones hasta que el aparato esté completamente instalado.

ADVERTENCIA

El elevado peso del aparato podría causar lesiones al levantarlo.

- ▶ Levantar el aparato solamente con ayuda de otra persona.

1.6 Instalación segura

ADVERTENCIA

Para evitar el riesgo de lesiones por reparaciones incorrectas, tenga en cuenta lo siguiente.

- ▶ Conectar y poner en funcionamiento el aparato solo de conformidad con los datos que figuran en la placa de características.
- ▶ Conectar el aparato solo a una fuente de alimentación con corriente alterna a través de una toma de corriente instalada reglamentariamente y provista de puesta a tierra.
- ▶ La conexión de puesta a tierra de la instalación eléctrica doméstica debe estar instalada de acuerdo con las normas vigentes.
- ▶ No alimentar nunca el aparato a través de un dispositivo de conmutación externo, como por ejemplo, un reloj avisador o un mando remoto.
- ▶ Cuando el aparato esté montado, el enchufe del cable de conexión a la red debe quedar accesible, o, en caso de que no sea posible, debe haberse instalado un dispositivo de separación en la instalación eléctrica fija según lo dispuesto en las normas de instalación.
- ▶ Al instalar el aparato debe prestarse atención a que el cable de conexión de red no quede atrapado ni se dañe.



INSTRUCCIONES DE SEGURIDAD IMPORTANTES

LEA Y CONSERVE ESTAS INSTRUCCIONES

Para evitar el riesgo de lesiones por el aislamiento dañado del cable de alimentación, tenga en cuenta lo siguiente.

- ▶ Evite que el cable de conexión de red entre en contacto con fuentes de calor.

ADVERTENCIA

Si las aberturas de ventilación del aparato se encuentran cerradas, puede generarse una mezcla inflamable de aire y gas en caso de una fuga del circuito de enfriamiento.

- ▶ No cerrar las aberturas de ventilación de la carcasa del aparato o de la carcasa de la instalación.

ADVERTENCIA

Para evitar el riesgo de lesiones por un cable de alimentación alargado y adaptadores no aprobados, tenga en cuenta lo siguiente.

- ▶ No utilizar cables de prolongación ni regletas de tomas de corriente múltiples.
- ▶ Utilizar solo adaptadores y cables de conexión de red autorizados por el fabricante.
- ▶ Si el cable de conexión de red es demasiado corto y no hay disponible ningún cable de mayor longitud, ponerse en contacto con un técnico electricista para adaptar la instalación doméstica.

Las unidades de alimentación o las tomas de corriente múltiples, móviles, pueden sobrecalentarse y provocar incendios.

- ▶ No colocar las unidades de alimentación o las tomas de corriente múltiples móviles en la parte posterior de los aparatos.

ADVERTENCIA

El aparato es muy pesado, con más peso en la parte superior, y se puede volcar.

- ▶ El aparato debe ser instalado por dos o más personas en cuanto deje de estar asegurado y se encuentre alejado del palet.
- ▶ Asegurar el aparato con la escuadra antivuelco suministrada.
- ▶ Vigilar el aparato durante la instalación.

PRECAUCIÓN

Los bordes afilados de la unidad pueden causar cortes al tocarla.

- ▶ Llevar guantes protectores.

1.7 Uso seguro

ADVERTENCIA

La penetración de humedad puede causar una descarga eléctrica.

- ▶ El aparato solo debe utilizarse en espacios interiores.
- ▶ No exponer el aparato a fuentes intensas de calor y humedad.
- ▶ No utilizar limpiadores por chorro de vapor ni de alta presión para limpiar el aparato.

ADVERTENCIA

Los niños pueden ponerse el material de embalaje por encima de la cabeza, o bien enrollarse en él, y asfixiarse.

- ▶ Mantener el material de embalaje fuera del alcance de los niños.
- ▶ No permita que los niños jueguen con el material de embalaje.

Los niños pueden inhalar o ingerir pequeñas piezas y asfixiarse.

- ▶ Mantener las piezas pequeñas fuera del alcance de los niños.
- ▶ No permita que los niños jueguen con piezas pequeñas.

ADVERTENCIA

Si se daña el circuito de refrigeración, puede escaparse líquido refrigerante inflamable y explotar.

- ▶ Para acelerar la descongelación, no utilizar ningún otro dispositivo mecánico u otro medio distinto a los recomendados por el fabricante.
- ▶ Separar los alimentos congelados adheridos con un objeto como el mango de una cuchara de madera.

Los productos que contienen gases propelentes o inflamables y las materias explosivas pueden causar una explosión (por ejemplo, aerosoles).

- ▶ No guardar productos que contengan gases propelentes o inflamables ni materias explosivas en el aparato.

ADVERTENCIA

Los dispositivos eléctricos en el interior del aparato pueden provocar incendios (por ejemplo, calefactores, fábricas de hielo, etc.).

- ▶ No poner en funcionamiento dispositivos eléctricos en el interior del aparato.



INSTRUCCIONES DE SEGURIDAD IMPORTANTES

LEA Y CONSERVE ESTAS INSTRUCCIONES

ADVERTENCIA

Los envases con bebidas carbonatadas pueden estallar.

- ▶ No guardar envases que contengan líquidos gaseosos en el compartimiento fresco o en el compartimiento de temperatura variable por debajo de 1 °C (34 °F).
- ▶ No almacenar envases con bebidas carbonatadas en el congelador.

Riesgo de lesiones en los ojos debido a la salida de líquido refrigerante inflamable y gases nocivos.

- ▶ No dañe las tuberías del circuito de refrigeración y aislamiento.

ADVERTENCIA

El contacto con productos congelados y superficies frías puede provocar quemaduras por el frío.

- ▶ No introducir nunca en la boca directamente los alimentos congelados extraídos del congelador.
- ▶ Evitar el contacto prolongado de la piel con los alimentos congelados, el hielo y las superficies del congelador.

PRECAUCIÓN

Para evitar la contaminación de los alimentos, se deben tener en cuenta las siguientes indicaciones.

- ▶ Si se abre la puerta durante un tiempo prolongado, se puede producir un aumento considerable de la temperatura en los compartimientos del aparato.
- ▶ Limpiar regularmente las superficies que puedan entrar en contacto con alimentos y sistemas de drenado accesibles.
- ▶ Enjuagar el sistema de agua si no se ha extraído agua durante cinco días.
- ▶ Guardar el pescado y la carne cruda en recipientes apropiados en el refrigerador con el fin de que no entren en contacto con otros alimentos ni goteen sobre ellos.
- ▶ Si el refrigerador/congelador está vacío durante mucho tiempo, apagar, descongelar, limpiar y dejar la puerta abierta para evitar la creación de moho.

Las piezas metálicas o con aspecto metálico pueden contener aluminio. Si algún alimento ácido entra en contacto con el aluminio presente en el aparato, los iones de aluminio podrían traspasarse a los alimentos.

- ▶ No consumir alimentos contaminados.

1.8 Aparato dañado

ADVERTENCIA

Para evitar el riesgo de lesiones por un aparato o cable de alimentación dañado, tenga en cuenta lo siguiente.

- ▶ No poner nunca en funcionamiento un aparato dañado.
 - ▶ No jalar nunca el cable de conexión a la red eléctrica para desenchufar el aparato. Desenchufar siempre el cable de conexión de red de la toma de corriente.
 - ▶ Si el aparato o el cable de conexión de red están dañados, desenchufar inmediatamente el cable de conexión de red o desconectar el fusible de la caja de fusibles y cerrar la llave del agua.
 - ▶ Llamar al servicio de atención al cliente. → *Página 96*
- Para evitar riesgos de lesiones derivadas de reparaciones inadecuadas, se recomienda seguir las siguientes indicaciones.
- ▶ Únicamente los técnicos especialistas o los proveedores de servicios autorizados deben llevar a cabo reparaciones.
 - ▶ Solo se pueden utilizar repuestos originales para reparar el aparato.
 - ▶ Si el cable de conexión de red o el cable de conexión de este aparato resulta dañado, debe ser sustituido por un cable especial de conexión de red o por un cable especial de conexión para este aparato que puede obtenerse a través del fabricante o de su servicio de atención al cliente.

ADVERTENCIA



Si las tuberías están dañadas, se puede escapar refrigerante inflamable y gases nocivos, lo que puede provocar un incendio.

- ▶ Mantener las fuentes de fuego o focos de ignición alejados del aparato.
- ▶ Ventilar la estancia.
- ▶ Apagar el aparato.
- ▶ Extraer el enchufe del cable de conexión de red o quitar el fusible de la caja de fusibles.
- ▶ Llamar al servicio de atención al cliente. → *Página 96*



INSTRUCCIONES DE SEGURIDAD IMPORTANTES

LEA Y CONSERVE ESTAS INSTRUCCIONES

1.9 Advertencias en virtud de la Proposición 65 del estado de California

Este producto puede contener un químico que el Estado de California reconoce como potencialmente cancerígeno o causante de daños reproductivos. Por tanto, su producto debe llevar en su embalaje la siguiente etiqueta de conformidad con la legislación de California:

STATE OF CALIFORNIA PROPOSITION 65 WARNING: /
AVERTISSEMENT ISSUE DE LA PROPOSITION 65
DE L'ÉTAT DE LA CALIFORNIE:



**WARNING /
AVERTISSEMENT**

Cancer and Reproductive Harm / Cancer et dommages à la
reproduction - www.P65Warnings.ca.gov.

2 Evitar daños materiales

AVISO:

Al desplazar el aparato, debido a su elevado peso o la inclinación de las ruedas del aparato, el piso puede resultar dañado.

- ▶ Transportar el aparato con una carretilla para sacos.
- ▶ Proteger el piso con algo cuando se vaya a desplazar el aparato y no volverlo en zigzag.

Al cerrar la puerta del aparato, este puede resultar dañado si el montante de puerta está abierto.

- ▶ No debe abrirse el montante de puerta manualmente.
- ▶ Si el montante de puerta está abierto, este debe cerrarse antes de cerrar la puerta del aparato.

Al subirse o apoyarse sobre pedestales, cajones o puertas, se puede dañar el aparato.

- ▶ No pisar ni apoyarse sobre el pedestal, cajones o puertas.

Una presión de agua demasiado baja o elevada puede influir negativamente en el funcionamiento del aparato.

- ▶ Es preciso asegurarse de que la presión de agua del dispositivo de suministro de agua sea de 29 psi (200 kPa) como mínimo y de 116 psi (800 kPa) como máximo.
- ▶ Si la presión del agua excede el valor máximo indicado, se debe instalar una válvula de reducción de presión entre la toma de agua y el juego de mangueras del aparato.

Las mangueras de agua modificadas o dañadas pueden causar daños a la propiedad o al aparato.

- ▶ No doblar, aplastar, modificar ni cortar las mangueras de agua.
- ▶ No reutilizar nunca las mangueras de agua ya usadas.
- ▶ No jalar nunca la manguera de agua de la parte trasera del aparato.

La suciedad con aceite o grasa puede crear poros en las piezas de plástico y las juntas de las puertas.

- ▶ Mantener las piezas de plástico y juntas de goma limpias de aceites y grasas.

Las piezas metálicas o con aspecto metálico pueden contener aluminio. En contacto con comida ácida, el aluminio se corroe y decolora.

- ▶ En el aparato, solo se puede guardar comida envasada. Si se lavan los elementos y accesorios del aparato en el lavavajillas, estos podrían deformarse o decolorarse.
- ▶ No lavar nunca los elementos y accesorios del aparato en el lavavajillas.

3 Protección del medio ambiente y ahorro

3.1 Consejos para la eliminación del embalaje

Todos los materiales del embalaje son ecológicos y reciclables.

- ▶ Desechar los diferentes materiales separados según su naturaleza.

3.2 Ahorrar energía

Si tiene en cuenta estas indicaciones, su aparato consumirá menos corriente.

Selección del lugar de colocación

- Proteger el aparato de la radiación solar directa.
- Instalar el aparato con la mayor distancia posible respecto a radiadores, hornos y otras fuentes de calor:
 - Mantener una distancia de 1 1/4" (30 mm) respecto a estufas de gas o eléctricas.
 - Mantener una distancia de 11 13/16" (300 mm) respecto a hornos de carbón o aceite.
- No cubrir ni obstruir nunca las aberturas de ventilación exteriores.

Ahorro de energía durante el funcionamiento

Nota: La disposición de las piezas de equipo no influye en el consumo de energía de aparato.

- Abrir brevemente el aparato y cerrarlo correctamente.
- No cubrir ni bloquear nunca las aberturas de ventilación interiores ni las aberturas de ventilación exteriores.
- Transportar los alimentos en una bolsa isotérmica y colocarlos inmediatamente en el congelador.
- Dejar enfriar los alimentos o bebidas calientes hasta la temperatura ambiente antes de almacenarlos.
- Descongelar los productos congelados en el interior del compartimiento de refrigeración para aprovechar el frío desprendido por los mismos.
- Dejar siempre un poco de espacio entre los alimentos y el panel posterior.
- Aspirar el polvo de las rejillas de ventilación exteriores.

4 Instalación y conexión

4.1 Material entregado

Después de desembalar el aparato, verificar que ninguna pieza haya sufrido daños durante el transporte y que el volumen de suministro esté completo.

Si tiene alguna queja deberá dirigirse al distribuidor en donde adquirió su electrodoméstico o a nuestro servicio de atención al cliente → *Página 96*.

El alcance de la entrega consta de:

- Equipamiento y accesorios¹
- Material para instalación
- Instrucciones de instalación
- Manual de instrucciones
- Declaración de garantía limitada del producto
- Documento de la garantía²
- Etiqueta energética
- Informaciones sobre el consumo de energía y los ruidos del aparato
- Información acerca de Home Connect®

4.2 Requisitos para seleccionar el lugar de colocación

ADVERTENCIA

Si el aparato se encuentra en un espacio demasiado pequeño, puede generarse una mezcla inflamable de aire y gas en caso de una fuga del circuito de enfriamiento.

- ▶ Colocar el aparato en espacios que tengan un volumen mínimo de 35 pies cúbicos (1 m³) por 0.3 oz (8 g) de líquido refrigerante. La cantidad de refrigerante se indica en la placa de características. → "Aparato", Fig. **1/16**, *Página 73*

El peso de fábrica del aparato puede alcanzar, en función del modelo concreto, hasta las 740 lb (335 kg).

Para soportar el peso del dispositivo, la superficie debe ser lo suficientemente estable.

4.3 Instalación del aparato

- ▶ Instalar el aparato siguiendo las instrucciones de instalación adjuntas.

4.4 Preparar el aparato para el primer uso

1. Retirar el material informativo.
2. Retirar las láminas protectoras y los seguros de transporte, p. ej., la cinta adhesiva y la caja.
3. Efectuar una primera limpieza del aparato.
→ *Página 89*

4.5 Conectar el aparato a la toma de agua

Requisitos

- Se debe instalar una válvula de cierre en la conexión a la toma de agua y se debe poder acceder libremente a ella una vez instalado el aparato.
 - Se debe comprobar la conexión a la toma de agua, y que el agua es de calidad.
 - La manguera de desagüe tiene una junta anular.
1. Extraer agua de la toma de agua de la instalación doméstica hasta que no salgan sedimentos ni esté turbia.

Instalar un sistema de filtro de agua exterior en caso de que haya sedimentos persistentes o el agua siga enturbada.

2. Instalar la manguera de desagüe en el aparato según las instrucciones de montaje adjuntas.

4.6 Conectar el aparato a la red eléctrica

1. Enchufar el conector frío del cable de alimentación en el aparato.
2. El enchufe del cable de conexión de red del aparato debe conectarse a una toma de corriente con conexión a tierra cercana al aparato.

Los datos de conexión del aparato se encuentran en la placa de características. → "Aparato", Fig. **1/16**, *Página 73*

3. Comprobar el asiento firme del enchufe.
- ✓ El aparato está listo para su uso.

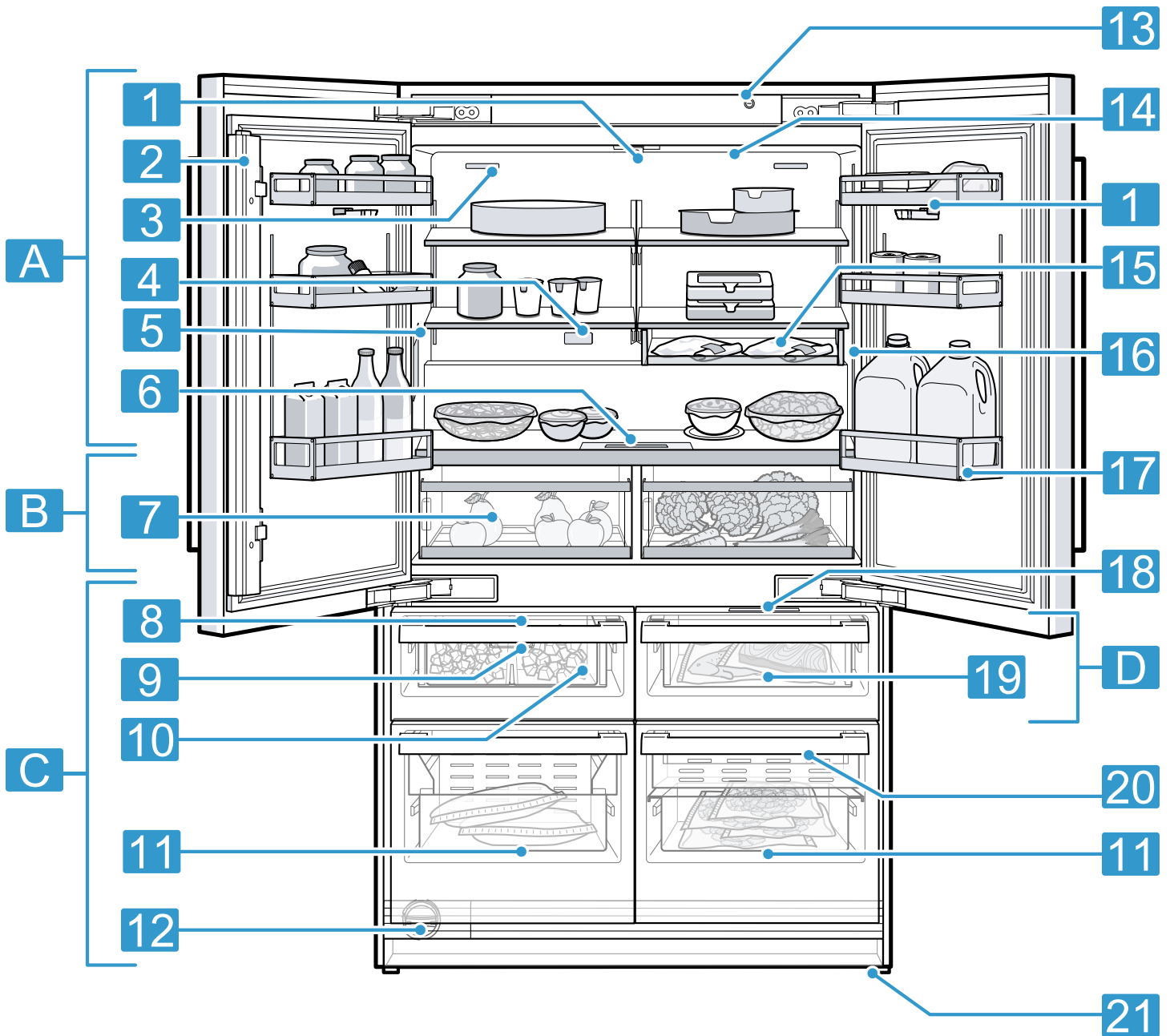
¹ Según el equipamiento del aparato

² No disponible en todos los países

5 Familiarizándose con el aparato

5.1 Aparato

Aquí encontrará una vista general de los componentes de su aparato.



1

Es posible que las ilustraciones muestren detalles y características de equipamiento y tamaño que no concuerdan con las de su aparato concreto.

A Compartimiento de refrigeración → *Página 84*

B Compartimento fresco → *Página 85*

C Congelador → *Página 85*

D Compartimento de temperatura variable
→ *Página 86*

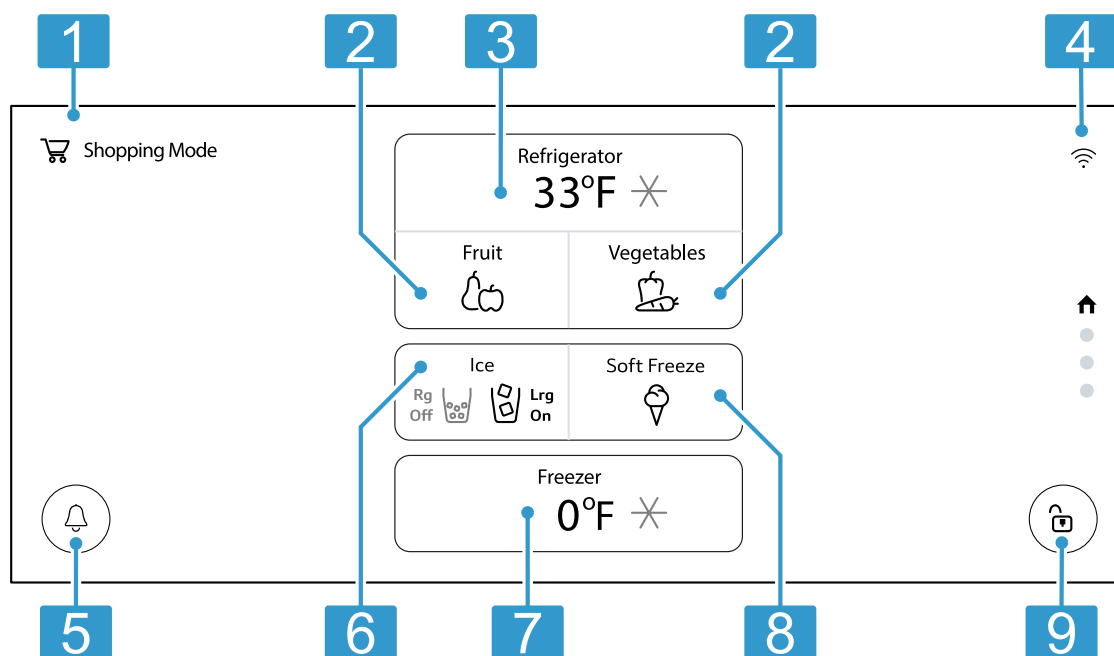
1 Cámara

2	Montante de puerta con protección contra condensación → <i>Página 70</i>
3	Aberturas de ventilación interiores (compartimento de refrigeración)
4	filtro antiolores → <i>Página 76</i>
5	Dispensador de agua → <i>Página 87</i>
6	Panel de control → <i>Página 73</i>
7	Cajón fresco → <i>Página 75</i>
8	Fabricador de cubitos de hielo → <i>Página 88</i>
9	Separador de compartimientos → <i>Página 75</i>
10	Depósito para cubitos de hielo → <i>Página 75</i>
11	Recipiente suspendido para productos congelados → <i>Página 75</i>

12	Filtro de agua → <i>Página 86</i>
13	Interruptor principal
14	Iluminación interior
15	Cajón para aperitivos → <i>Página 75</i>
16	Placa de características → <i>Página 96</i>
17	Estantes de la puerta para botellas grandes → <i>Página 75</i>
18	Panel de mando (compartimento de temperatura variable) → <i>Página 74</i>
19	Recipiente de temperatura variable
20	Cajón deslizante para productos congelados → <i>Página 75</i>
21	Pata atornillada

5.2 Panel de control

A través del panel de control se ajustan todas las funciones de su aparato y se obtiene información sobre el estado de funcionamiento.



2	
1	Muestra el modo ajustado.
2	Permite el ajuste del compartimento fresco.
3	Permite el ajuste del compartimento de refrigeración.
4	Muestra el estado de Home Connect®, p. ej., si Home Connect® está activado o desactivado.
5	🔔 abre el centro de notificaciones.
6	Permite el ajuste de la producción de cubitos de hielo.
7	Permite el ajuste del compartimento de congelación.
8	Permite el ajuste del compartimento de temperatura variable.
9	Activa o desactiva el bloqueo del panel indicador.

Lógica de manejo

Algunas zonas del panel indicador reaccionan al tacto. Los ajustes se activan al tocar las teclas. Los ajustes activados se resaltan en el panel indicador. Es posible modificar ajustes activos o desactivarlos presionando de nuevo la tecla correspondiente.

AVISO:

Un impacto fuerte contra la pantalla puede provocar daños.

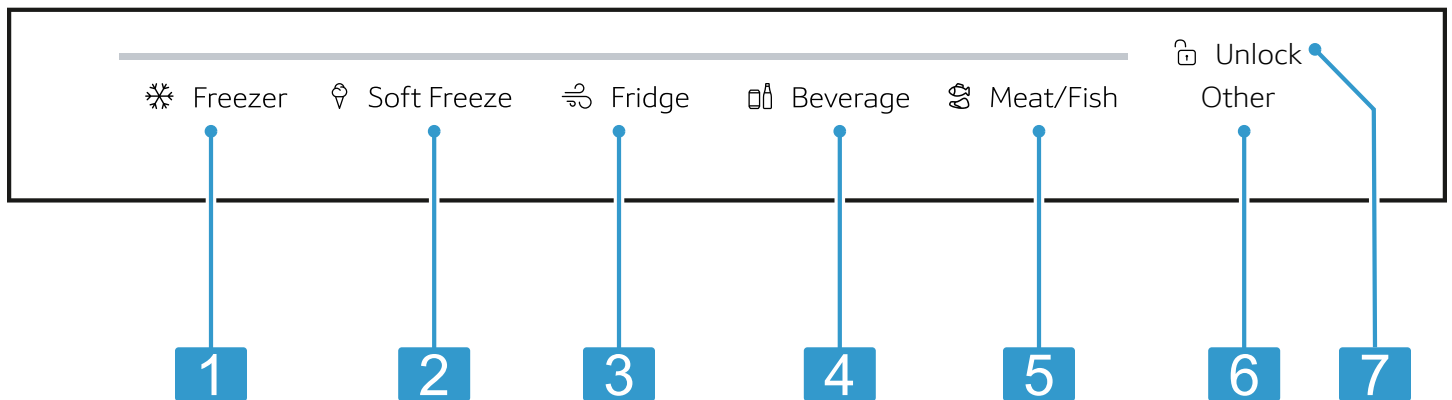
- ▶ No ejercer presión sobre la pantalla.

- ▶ No presionar la pantalla con objetos afilados o puntiagudos.

Símbolo	Descripción
⬆	Acceder a la pantalla de inicio
ℹ	Mostrar más información en el panel indicador
☑	Activar la función
☒	Desactivar la función

5.3 Panel de mando (compartimento de temperatura variable)

El ajuste de almacenamiento se configura mediante el panel de mando del compartimento de temperatura variable.



3

1 ❄ **Freezer** configura el ajuste de almacenamiento del compartimento de temperatura variable como congelador.

2 💧 **Soft Freeze** configura el ajuste de almacenamiento del compartimento de temperatura variable al modo de enfriamiento suave.

3 🧊 **Fridge** configura el ajuste de almacenamiento del compartimento de temperatura variable como refrigerador.

4 🍹 **Beverage** configura el ajuste de almacenamiento del compartimento de temperatura variable para bebidas.

5 🍖 **Meat/Fish** configura el ajuste de almacenamiento del compartimento de temperatura variable para carnes y pescados.

6 "Other" se enciende cuando se establecen los ajustes personalizados mediante la aplicación Home Connect® o el panel de control.

7 🔒 **Unlock** desactiva el bloqueo de seguridad de las teclas del panel de control (compartimento de temperatura variable).

6 Equipamiento

El equipamiento del aparato depende del modelo.

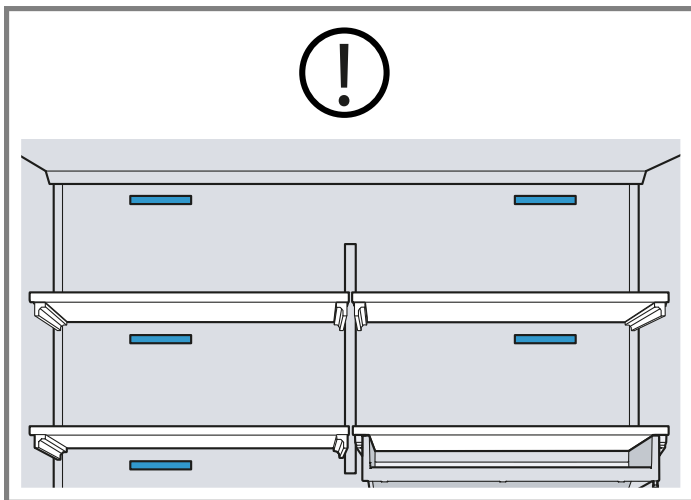
6.1 Bandeja

Si se desea modificar la posición de las bandejas según sea necesario, es posible retirarlas y volver a colocarlas en otro lugar.

→ "Retirar las bandejas", *Página 90*

Nota

No cubrir las aberturas de ventilación interiores para no perjudicar la circulación del aire.



6.2 Cajón para aperitivos

El cajón para aperitivos permite almacenar alimentos envasados o snacks de pequeño tamaño.

6.3 Cajón fresco

Para ajustar automáticamente en el cajón fresco la temperatura y la humedad del aire para los alimentos, utilizar los diferentes ajustes de almacenamiento del compartimiento fresco.

Guardar frutas y verduras frescas sin envasar en el cajón fresco.

Tapar la fruta y la verdura cortadas o almacenarlas en envases herméticos.

Por motivos de higiene, no almacenar fruta y verdura con carne y pescado juntos en el cajón fresco.

Dependiendo de la cantidad y el tipo de alimento guardado, puede formarse agua de condensación en el cajón fresco.

Eliminar el agua de condensación con un paño seco.

Para conservar la calidad y el sabor de las frutas y hortalizas sensibles al frío (p. ej. piñas, plátanos, cítricos, pepinos, calabacitas, pimientos, tomates y papas), se recomienda almacenarlas fuera del aparato a una temperatura aproximada de entre 46 °F (8 °C) y 54 °F (12 °C).

6.4 Recipiente de temperatura variable

Utilizar distintos ajustes de almacenamiento para configurar la temperatura correcta para los alimentos en el recipiente de temperatura variable.

6.5 Separador de compartimientos

Para disponer de más espacio de almacenamiento en el depósito para cubitos de hielo, se puede retirar el separador de compartimientos. Retirar el separador de compartimientos → *Página 90*

6.6 Cajón deslizante de productos congelados

Para obtener una mejor vista general y para retirar productos congelados más rápidamente, se puede extraer el cajón deslizante de productos congelados.

6.7 Recipiente suspendido para productos congelados

El recipiente suspendido permite almacenar productos congelados grandes.

6.8 Estantes de la puerta para botellas

Los estantes para botellas pueden retirarse y recolocarse en otro lugar para modificar su posición según sea necesario.

→ "Retirar el botellero de puerta", *Página 90*

6.9 Depósito para cubitos de hielo

Cuando la producción de cubitos de hielo está activada, se guardan cubitos de hielo automáticamente en el depósito para cubitos.

AVISO:

El dispositivo fabricante de cubitos de hielo puede resultar dañado o bloqueado si se introducen alimentos u objetos en el depósito para cubitos.

- ▶ No colocar nunca alimentos ni objetos en el depósito para cubitos.

Nota: Para evitar llenar demasiado el depósito para cubitos de hielo, no distribuir los cubitos de hielo en el depósito de cubitos de hielo con la mano.

Consejo Para evitar que los cubitos de hielo caigan del depósito para cubitos de hielo en el congelador, no cerrar de golpe el cajón del congelador.

6.10 Cámara

Cada vez que se cierra la puerta, las cámaras toman una foto del compartimiento de refrigeración, del cajón fresco y del interior de las puertas. La aplicación Home Connect permite visualizar las fotos con un dispositivo móvil.

Activar las cámaras → *Página 78*

Nota: Para que las cámaras puedan tomar fotos con buena calidad de imagen, cerrar suavemente la puerta del aparato. Si se cierra demasiado rápido la puerta del aparato, las fotos pueden salir borrosas.

Si las cámaras están sucias, se puede ver afectada la nitidez de las fotos.

→ *"Limpiar la cámara", Página 89*

6.11 filtro antiolores

El filtro desodorizante filtra los olores y puede sustituirse en caso necesario.

→ *"Sustituir el filtro desodorizante", Página 91*

6.12 Accesorios

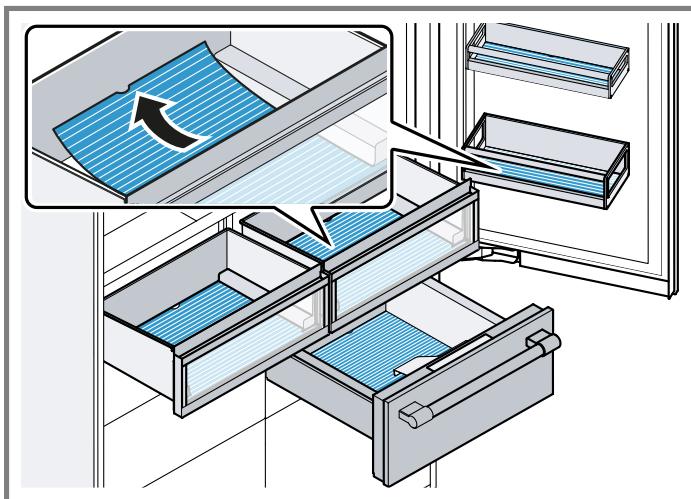
Utilizar accesorios originales. Están diseñados para su aparato.

Los accesorios del aparato dependen del modelo.

Alfombrilla antideslizante

La alfombrilla antideslizante evita que las botellas y los alimentos se muevan.

En función de la cantidad y el tipo de alimento guardado, puede formarse agua de condensación en la alfombrilla antideslizante. En caso necesario, retirar la alfombrilla antideslizante y eliminar el agua de condensación con un paño seco.



Absorbente de etileno

Las instrucciones de montaje del absorbente de etileno adjuntas incluyen importantes indicaciones de seguridad e información sobre su montaje y su manejo.

El absorbente de etileno ralentiza la maduración de frutas y verduras, que son sensibles a esta sustancia, para mantenerlas frescas durante más tiempo.

Instalar el absorbente de etileno

- ▶ Instalar el absorbente de etileno según las instrucciones de montaje y de uso del mismo.

Utilizar el juego de reabastecimiento

1. Instalar las piezas del kit de reabastecimiento según las instrucciones de montaje y de uso del absorbente de etileno.
2. Sustituir las bolsas al menos cada 6 meses tras un restablecimiento.

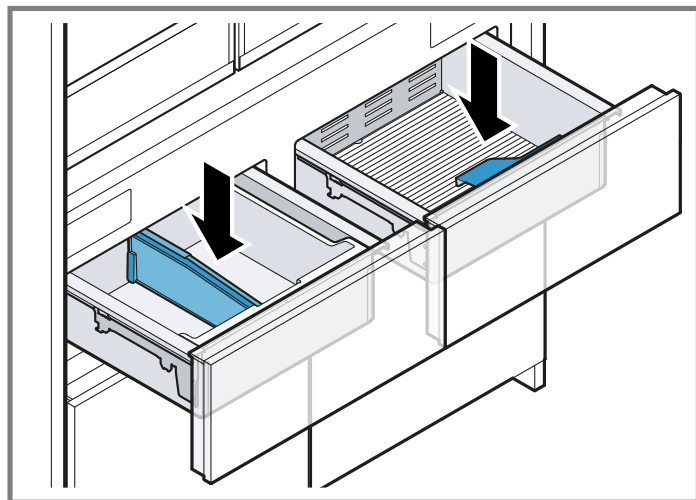
Nota: El kit de reabastecimiento se puede adquirir a través de nuestro Servicio de Atención al Cliente o en nuestra página web.

Pala para hielo

La pala para hielo permite retirar una porción de cubitos de hielo.

Consejo

Colocar la pala para hielo en el recipiente de temperatura variable o sobre el separador de compartimentos.



7 Antes de usar el aparato por vez primera

7.1 Realizar la primera puesta en marcha

Requisitos

- El aparato debe haberse montado conforme a las instrucciones de montaje adjuntas.
- El aparato está conectado eléctricamente. → *Página 71*

1. Encender el aparato con el interruptor principal.
→ *"Aparato", Fig. 1/13, Página 73*
2. Cerrar las puertas del aparato, esperar 3 minutos y volver a abrirlas.
3. Seleccionar un idioma.
4. Comprobar la conexión a la red de agua y al dispensador de agua.
5. Seleccionar una de las opciones:

- Para la configuración de Home Connect®, presionar sobre "Connect Now" y seguir las indicaciones del panel indicador.
 - Para el ajuste manual de la hora, la fecha y la unidad de temperatura, presionar "Configuración manual" y seguir las instrucciones que aparecen en la pantalla.
 - Iniciar el montaje del absorbedor de etileno con "Instalar ahora" y seguir las instrucciones del indicador.
 - Para acceder directamente a la pantalla de inicio, presionar "Omitir".
- ✓ La primera puesta en marcha ha finalizado.

8 Manejo básico

8.1 Encender el aparato

1. Encender el aparato con el interruptor principal.
→ "Aparato", Fig. **1/13**, Página 73
- ✓ El aparato comienza a enfriar.
2. Ajustar la temperatura deseada. → Página 77

8.2 Advertencias relativas al funcionamiento del aparato

- Una vez encendido el aparato, transcurren varias horas hasta que se alcanza la temperatura ajustada. No introducir alimentos en el aparato antes de alcanzar la temperatura ajustada.
- Los lados frontales y las paredes laterales del aparato se calientan ligeramente en ocasiones. De esta forma, se evita la formación de agua de condensación.
- Al cerrar la puerta, asegurarse de que no esté bloqueada por objetos almacenados.
- Cuando se cierra la puerta, puede generarse presión negativa. La puerta se vuelve a abrir con dificultad. Esperar un momento hasta que la presión se estabilice.
- La temperatura del aparato varía debido a las siguientes condiciones:
 - Frecuencia con la que se abre el aparato
 - Cantidad de carga
 - Temperatura de los alimentos frescos almacenados
 - Temperatura del entorno
 - Radiación solar directa



8.3 Apagar el aparato



- ▶ Apagar el aparato con el interruptor principal.
→ "Aparato", Fig. **1/13**, Página 73

8.4 Ajustar la temperatura

Ajustar la temperatura del compartimiento refrigerador


1. Tocar el indicador de temperatura (compartimento refrigerador).

2. Tocar / repetidas veces hasta que la indicación de temperatura (compartimento refrigerador) muestre el ajuste de temperatura deseado.



Consejo Si se mantiene presionada la tecla /, la temperatura irá cambiando a razón de 1 grado por segundo hasta que se suelte.



La temperatura recomendada del compartimiento de refrigeración asciende a 37 °F (3 °C).

Ajustar la temperatura recomendada del compartimento refrigerador

1. Tocar el indicador de temperatura (compartimento refrigerador).
 2. Tocar "Set to Default" .
- ✓ La temperatura del compartimento refrigerador se ajusta a 37 °F (3 °C).


Ajustar la temperatura del congelador

1. Tocar el indicador de temperatura (congelador).
2. Tocar / repetidas veces hasta que la indicación de temperatura (congelador) muestre el ajuste de temperatura deseado.

Consejo Si se mantiene presionada la tecla /, la temperatura irá cambiando a razón de 1 grado por segundo hasta que se suelte.

La temperatura recomendada del congelador es de 0 °F (-18 °C).

Ajustar la temperatura recomendada del congelador

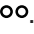

1. Tocar el indicador de temperatura (congelador).
 2. Tocar "Set to Default" .
- ✓ La temperatura del congelador se ajusta a 0 °F (-18 °C).

8.5 Ajustes de almacenamiento del cajón fresco

Es posible ajustar la temperatura y la humedad del aire en el cajón fresco por medio de ajustes de almacenamiento predefinidos.

Consejo Hay más ajustes disponibles en la aplicación Home Connect®.

Configurar los ajustes de almacenamiento del cajón fresco



1. Presionar los ajustes deseados de almacenamiento del cajón fresco.
2. Tocar "More Options" .
3. Presionar los ajustes de almacenamiento deseados y confirmar con .

8.6 Bloqueo de teclas


El bloqueo de las teclas evita que el aparato se maneje de forma involuntaria o incorrecta durante el funcionamiento.

Nota: El bloqueo automático de las teclas se puede activar o desactivar de forma permanente. → *Página 79*

Activar el bloqueo de las teclas

- ▶ Mantener presionado  durante 2 segundos.
- ✓  se ilumina.

Desactivar el bloqueo de las teclas

- ▶ Mantener presionado  durante 2 segundos.

8.7 Ajuste de almacenamiento en el compartimento de temperatura variable


Se puede ajustar la temperatura del compartimento de temperatura variable mediante ajustes de almacenamiento predefinidos en el panel de control del aparato o en el del compartimento de temperatura variable.

Consejo Hay más ajustes disponibles en la aplicación Home Connect®.


9.2 Vista general de los ajustes básicos

Aquí encuentra una vista general de los ajustes básicos y de los ajustes de fábrica. Los ajustes básicos están en función del equipamiento de su aparato.



"General"

Ajuste	Opción	Descripción
Connectivity/WiFi	Véase la información en el panel indicador. More Options Connect Now	Muestra el estado de la red Wi-Fi. → <i>Página 83</i> Muestra los ajustes de Home Connect®. Configurar Home Connect®. → <i>Página 82</i>
Cameras		Activar o desactivar las cámaras. → <i>"Cámara", Página 76</i>
Language	English Español Français	Ajustar el idioma del menú.
Units	Fahrenheit Celcius	Ajustar la unidad de temperatura.


"Special Modes"

Ajuste	Opción	Descripción
Normal Mode	Normal Mode	Activar o desactivar el modo estándar.
Shopping	 Shopping	Activar o desactivar el modo de compra. → <i>"Modo de compra", Página 80</i>

Ajustar la temperatura del compartimento de temperatura variable

1. Presionar el ajuste de almacenamiento en el compartimento de temperatura variable.
2. Presionar "More Options" .
3. Presionar los ajustes de almacenamiento deseados y confirmar con .




Ajustar panel de control (compartimento de temperatura variable)

1. Mantener presionada la opción **Unlock** en el panel de control (compartimento de temperatura variable)  hasta que se ilumine completamente la barra de iluminación.
2. Tocar el ajuste de almacenamiento deseado.



9 Ajustes básicos

9.1 Modificar los ajustes básicos



1. Deslizar hasta "Settings".
- ✓ "General" se ilumina.
2. Tocar el ajuste básico deseado para modificarlo.

Ajuste	Opción	Descripción
Sabbath	 Sabbath	Activar o desactivar el modo Sabbat. Seleccionar un preajuste de tiempo y seguir las indicaciones de la pantalla. → "Modo Sabbat", <i>Página 81</i> Consejo Los tiempos preajustados se pueden modificar.
Eco	 Eco	Activar o desactivar el modo de ahorro de energía. → "Modo de ahorro energético", <i>Página 81</i>
Vacation	 Vacation	Activar o desactivar el modo de vacaciones. → "Modo vacaciones", <i>Página 80</i>




"Display"

Ajuste	Opción	Descripción
Display Brightness	Auto Manual 	Activar o desactivar el ajuste de tiempo iluminación del panel indicador. Ajustar la iluminación del panel indicador del 20 % al 100 %.
Automatic Display Lock		Activar o desactivar el bloqueo automático de las teclas.

"Audio"

Ajuste	Opción	Descripción
Display Volume		Ajustar el volumen del panel indicador de 0 a 8.
Notification Volume		Ajustar el volumen de las notificaciones de 0 a 8.

"Lighting"

Ajuste	Opción	Descripción
Interior Lights	Auto Manual 	Activar o desactivar el ajuste automático de brillo de la iluminación interior. → "Iluminación interior", <i>Página 81</i> Ajustar la intensidad de la iluminación interior de 20 % a 100 %.
Light Guidance		Activar o desactivar el asistente de iluminación.
Theatre Lighting		Activar o desactivar la iluminación ambiental.

10 Funciones adicionales

Comprobar qué funciones adicionales ajustables ofrece el aparato. Con la aplicación Home Connect® se pueden ajustar otras funciones adicionales.

10.1 Superfrío

Mediante la función Superfrío, el compartimento de refrigeración se enfría hasta alcanzar la temperatura más baja posible.

Encender Superfrío antes de almacenar grandes cantidades de alimentos en el compartimento de refrigeración.

Nota: Estando activada la función Superfrío, el nivel sonoro del aparato puede aumentar.

Activar Superfrío

1. Tocar el indicador de temperatura (compartimento refrigerador).
 2. Tocar "Super Cool" ✖ "Off".
- ✓ ✖ "On" se enciende en el indicador de temperatura (compartimento refrigerador).

Nota: La función se desactiva automáticamente pasadas unas 6 horas y el aparato vuelve al funcionamiento normal.

Desactivar Superfrío

1. Tocar el indicador de temperatura (compartimento refrigerador).
 2. Tocar "Super Cool" ✖ "Off".
- ✓ ✖ "On" se apaga en el indicador de temperatura (compartimento refrigerador).
- ✓ Se muestra la temperatura ajustada anteriormente.

10.2 Función Supercongelación automática

Con la función Supercongelación automática, el congelador enfría considerablemente más que en el modo de funcionamiento normal. Por eso, los alimentos se congelan más rápido.

La función Supercongelación automática se activa si se colocan alimentos frescos en el recipiente suspendido para productos congelados, empezando por la derecha. Si la función Supercongelación automática está activada, ✖ se enciende y pueden producirse más ruidos.

Una vez finalizada la función Supercongelación automática, el aparato vuelve automáticamente al modo de funcionamiento normal.

Nota: Para activar y desactivar la función Supercongelación automática, consultar los ajustes de servicio. → *Página 84*

Cancelar la función Supercongelación automática

1. Tocar el indicador de temperatura (congelador).
 2. Presionar ✖ "On".
- ✓ ✖ "On" se apaga en el indicador de temperatura (congelador).

- ✓ Se muestra la temperatura ajustada anteriormente.

10.3 Supercongelación manual

Con la función Supercongelación, el congelador enfría a la temperatura más baja posible.

Activar Supercongelación entre cuatro y seis horas antes de almacenar una cantidad de alimentos de 4.4 lb (2 kg) o superior en el congelador.

Utilizar Supercongelación para acelerar la producción de cubitos de hielo.

Nota: Estando activada la función Supercongelación, el nivel sonoro del aparato puede aumentar.

Activar la función Supercongelación manualmente

1. Tocar el indicador de temperatura (congelador).
 2. Tocar "Super Freeze" ✖ "Off".
- ✓ ✖ "On" se enciende en el indicador de temperatura (congelador).

Nota: La función se desactiva automáticamente pasadas unas 8 horas y el aparato vuelve al funcionamiento normal.

Desactivar la función Supercongelación manualmente

1. Tocar el indicador de temperatura (congelador).
 2. Tocar "Super Freeze" ✖ "Off".
- ✓ ✖ "On" se apaga en el indicador de temperatura (congelador).
- ✓ Se muestra la temperatura ajustada anteriormente.

10.4 Modo de compra

Encender la opción "Shopping Mode" antes de comprar alimentos.

La opción "Shopping Mode" activa simultáneamente las opciones Superfrío y Supercongelación.

Nota: En los ajustes básicos se indica cómo activar el modo de compra. → *Página 78*

10.5 Modo vacaciones

En caso de ausentarse durante un largo período de tiempo, puede activarse el modo de vacaciones.

⚠ PRECAUCIÓN

Mientras está activado el modo vacaciones, el compartimento de refrigeración se calienta. El aumento de la temperatura puede contribuir a la proliferación de bacterias y a que se echen a perder los alimentos.

- Si está activo el modo vacaciones, no deben guardarse alimentos en el compartimento de refrigeración.

El aparato reajusta automáticamente las siguientes temperaturas.

Compartimento de refrigeración	58 °F (14 °C)
Compartimento fresco	Temperatura sin cambios

Congelador	Temperatura sin cambios
Compartimiento de temperatura variable	Temperatura sin cambios

Notas

- Durante el modo de vacaciones, se desactivan la producción de cubitos de hielo y el dispensador de agua.
- En los ajustes básicos se indica cómo activar el modo de vacaciones. → *Página 79*

10.6 Modo de ahorro energético

Con el modo de ahorro de energía, el funcionamiento del aparato cambia para consumir menos energía.

El aparato reajusta automáticamente las siguientes temperaturas.

Compartimiento de refrigeración	43 °F (6 °C)
Compartimiento fresco	32 °F (0 °C)
Congelador	6 °F (-14 °C)
Compartimiento de temperatura variable	Temperatura sin cambios

Las temperaturas superiores a 0 °F (-18 °C) reducen la vida útil de la comida. Utilizar el modo de ahorro energético para el almacenamiento de comida a corto plazo.

Nota: En los ajustes básicos se indica cómo activar el modo de ahorro de energía. → *Página 79*

10.7 Iluminación interior

Es posible desactivar la iluminación interior o ajustar el brillo.

Nota: En los ajustes básicos se indica cómo ajustar la intensidad de la iluminación interior. → *Página 79*

10.8 Modo Sabbat

Con el modo Sabbat, se desconectan todas las funciones que no son necesarias para el uso del aparato durante el Sabbat.

Durante el modo Sabbat, las siguientes funciones permanecen desconectadas:

- Superfrío
- Función Supercongelación automática y función Supercongelación manual
- Alarma
- Dispensador de agua
- Producción de cubitos de hielo
- Iluminación interior
- Señales acústicas
- Mensajes en el panel de control

Notas

- Durante el modo Sabbat, se atenúa la iluminación del panel de control.
- En los ajustes básicos se indica cómo activar el modo Sabbat. → *Página 79*

11 Alarma

11.1 Alarma de la puerta

Si la puerta permanece abierta durante más tiempo, la alarma de la puerta se activa.

Suena una señal acústica y aparece 🔔 "Door Alarm".

Apagar la alarma de la puerta

- ▶ Cerrar la puerta del aparato o tocar "Mute Alarm".
- ✓ La señal acústica se apaga.

11.2 Alarma de temperatura

La alarma de temperatura se activa si la temperatura es demasiado alta.

Suena una señal acústica y se enciende 🔔 "Freezer High Temp. Alarm".

⚠ PRECAUCIÓN

Las bacterias pueden multiplicarse durante el proceso de descongelación de los alimentos y estos pueden deteriorarse.

- ▶ No volver a congelar los alimentos que se hayan descongelado o empezado a descongelar.
- ▶ Solo después de cocinarlos o freírlos, se podrán volver a congelar.
- ▶ El período máximo de almacenamiento ya no se podrá usar.

La alarma de temperatura puede activarse en los casos siguientes:

- El aparato se pone en funcionamiento.
No guardar los alimentos hasta que se haya alcanzado la temperatura establecida.
- Se han colocado grandes cantidades de alimentos frescos en el interior.
Antes de almacenar grandes cantidades de alimentos frescos, activar Supercongelación.
- Al tener abierta durante mucho tiempo la puerta del congelador.
Comprobar que los alimentos se hayan congelado o descongelado por completo.

Apagar la alarma de temperatura

- ▶ Tocar "Yes, see highest temp." y confirmar con "OK".
- ✓ La señal acústica se apaga.
- ✓ El indicador muestra la temperatura más elevada registrada en el congelador. Seguidamente, el indicador muestra la temperatura ajustada.
- ✓ A partir de este momento se vuelve a determinar la temperatura más elevada, que queda almacenada.

12 Home Connect®

Este aparato es apto para la conexión en red. Conecte su aparato con un dispositivo móvil para manejar las funciones a través de la aplicación Home Connect®.

Los servicios Home Connect® no están disponibles en todos los países. La disponibilidad de la función Home Connect® depende de la disponibilidad de los servicios Home Connect® en su país. Para obtener más información, consulte: www.home-connect.com.

Para poder utilizar Home Connect® establezca primero la conexión con la red doméstica WLAN (Wi-Fi¹) y con la aplicación Home Connect®.

Después de encender el aparato esperar al menos dos minutos hasta que concluya la inicialización interna del mismo. Solo entonces realice la configuración de Home Connect®.

La aplicación Home Connect® le guiará durante el proceso de registro. Siga las instrucciones indicadas en la aplicación Home Connect® para establecer los ajustes.

Consejo Observe también las indicaciones de la aplicación Home Connect®.

Notas

- Debe tener en cuenta las indicaciones de seguridad de este manual de instrucciones y garantizar el cumplimiento de las mismas, cuando opere el aparato a través de la aplicación Home Connect®.
→ "Seguridad", *Página 66*
- En todo caso, tiene prioridad el manejo desde el propio electrodoméstico. Durante ese tiempo, el manejo del aparato no es posible a través de la aplicación Home Connect®.

12.1 Configurar la aplicación Home Connect®

1. Instalar la aplicación Home Connect® en el dispositivo móvil.
2. Iniciar la aplicación Home Connect® y configurar el acceso para Home Connect®.

La aplicación Home Connect® le guiará durante el proceso de registro.

12.2 Configurar Home Connect®

Requisito: En el lugar en que se encuentra, el aparato recibe cobertura de la red doméstica WLAN (Wi-Fi).

1. Escanear el siguiente código QR.



Con el código QR, puede instalarse la aplicación Home Connect® y conectar el aparato.

2. Seguir las instrucciones de la aplicación Home Connect®.

12.3 Diagnóstico Remoto

El servicio al cliente puede acceder a su aparato a través de Diagnóstico Remoto si usted lo solicita, siempre que su aparato esté conectado al servidor Home Connect® y Diagnóstico Remoto esté disponible para su aparato y país. Para obtener más información sobre la disponibilidad de Diagnóstico Remoto en su país, visite la sección Servicio/Soporte de su sitio web local: www.home-connect.com.

Tenga en cuenta que, aunque el Diagnóstico Remoto puede ayudar a solucionar determinados problemas, puede haber casos en los que sea necesaria una visita de servicio in situ si el problema no puede resolverse de forma remota.

12.4 Protección de datos

Tenga en cuenta las indicaciones relativas a la protección de datos.

Al conectar por primera vez su aparato a una red doméstica asociada a Internet, el aparato transmite las siguientes categorías de datos al servidor de Home Connect® (registro inicial):

- Identificación clara del aparato (compuesta por la clave del aparato y la dirección MAC del módulo de comunicación Wi-Fi utilizado).
- Certificado de seguridad del módulo de comunicación Wi-Fi (para la protección técnica de la información de la conexión).
- Las versiones actuales del software y del hardware del electrodoméstico.
- El estado de un posible restablecimiento previo a los ajustes de fábrica.

El registro inicial prepara la utilización de las funciones Home Connect® y solo es necesario la primera vez que se vayan a utilizar dichas funciones Home Connect®.


¹ Wi-Fi es una marca registrada de Wi-Fi Alliance.

Notas

- Se debe tener en cuenta que las funciones Home Connect® solo se pueden utilizar en conexión con la aplicación Home Connect®. Se puede consultar la información relativa a la protección de datos en la aplicación Home Connect®.
- Existe la posibilidad de que las cámaras detecten a usuarios, personas o instalaciones externos al aparato y que estos aparezcan en la aplicación Home Connect®. Algunas imágenes se procesan en el sistema Home Connect® a efectos de su puesta a disposición en la aplicación Home Connect®. Se puede consultar la información relativa al procesamiento de datos en la aplicación Home Connect®.

12.5 Estado de conexión de Home Connect®

Aquí se ofrece una vista general del estado de la conexión de Home Connect®.

Símbolo	Descripción
	El aparato está conectado con la aplicación Home Connect®.

13.2 Vista general de los ajustes de servicio

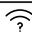


Aquí se incluye una vista general de los ajustes de servicio.

"Application Info"

Ajuste	Selección	Descripción
Véase la información en el panel indicador.	E-Number: Production Date: // Z-Number: Serial Number:	Muestra la información relativa al aparato.

"Filter Management"

Ajuste	Selección	Descripción
Water Filter	Véase la información en el panel indicador. Reset	Muestra el estado del filtro de agua. Seguir las indicaciones del panel indicador y restablecer el estado del filtro de agua.
Ethylene Absorber	Véase la información en el panel indicador. Install Reset Remove	Muestra el estado del absorbente de etileno. Instalar el absorbente de etileno. Restablecer el estado del absorbente de etileno. Desmontar el absorbente de etileno. → "Absorbente de etileno", <i>Página 76</i>
Air Filter	Véase la información en el panel indicador.	The air filter is designed to last for the lifetime of your appliance.

Símbolo	Descripción
	El aparato no está conectado con la aplicación Home Connect®.
	El aparato no está conectado a la red doméstica.
	El diagnóstico remoto está activado.

13 Ajustes de servicio

Se pueden realizar distintos ajustes de servicio.

13.1 Modificar los ajustes de servicio

1. Deslizar hasta "Service".
- ✓ Se enciende "Application Info".
2. Tocar el ajuste de servicio deseado y modificarlo.




"How-To Guides"

Ajuste	Selección	Descripción
Véase la información en el panel indicador.	How to restart my appliance. How to change my water filter. How to change my ethylene absorber.	Se muestran las indicaciones paso a paso en el panel indicador. Presionar en las instrucciones deseadas y seguir las indicaciones del panel indicador.

"Customer Service"

Ajuste	Selección	Descripción
24/7 Customer Service	Véase la información en el panel indicador.	Muestra el número de teléfono del servicio de atención al cliente. Escanear el código QR para acceder a la página web del servicio de atención al cliente.

"Advanced Service"

Ajuste	Selección	Descripción
Time & Date	Véase la información en el panel indicador. Auto-adjust 	Seguir las instrucciones de la pantalla y ajustar la fecha y la hora. Activar o desactivar el ajuste automático de fecha y hora. Nota: "Auto-adjust" solo está disponible si está configurado Home Connect®.
Auto-Super		Activar o desactivar la función Supercongelación automática. → "Función Supercongelación automática", <i>Página 80</i>
Factory Reset	Reset Now	Restablecer el aparato a los ajustes de fábrica.
Demo Mode		Activar o desactivar el modo de exposición. En el modo de exposición, el aparato no enfría. Nota: El modo demo está disponible durante un tiempo limitado tras encender el dispositivo.

14 Compartimiento de refrigeración

En el compartimiento de refrigeración, se pueden almacenar productos lácteos, huevos, platillos preparados, productos de panadería, conservas abiertas y quesos curados.

La temperatura puede ajustarse de 33 °F (1 °C) a 43 °F (6 °C).

En el compartimiento de refrigeración, también se pueden conservar alimentos perecederos a corto y medio plazo. Cuanto más baja sea la temperatura seleccionada, más tiempo se mantienen frescos los alimentos.

14.1 Consejos para el almacenamiento de alimentos en el compartimiento de refrigeración

- Guardar únicamente alimentos frescos y en perfecto estado.
- Almacenar los alimentos envasados herméticamente o tapados adecuadamente.
- No colocar los alimentos delante de las aberturas de ventilación interiores ni en contacto directo con el panel posterior para no perjudicar la circulación de aire y evitar que se congelen los alimentos.
- Dejar enfriar los alimentos y bebidas calientes.
- Deben observarse las fechas de caducidad o de consumo preferente señaladas por los fabricantes.

14.2 Zonas de frío del compartimiento de refrigeración

El sistema de refrigeración con recirculación hace circular el aire de forma homogénea por el compartimiento de refrigeración y garantiza una temperatura constante en todos los estantes.

La zona más fría

La zona más fría es la parte inferior junto al panel posterior.

Consejo Almacenar los alimentos perecederos (p. ej., pescados, fiambres y carnes) en el compartimiento fresco o en el compartimiento de temperatura variable.

→ "Compartimiento fresco", *Página 85*

→ "Compartimiento de temperatura variable", *Página 86*







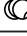
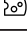
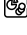
15 Compartimiento fresco



En el compartimiento fresco, los alimentos se mantienen en buen estado hasta el triple de tiempo que en el compartimiento de refrigeración.

La temperatura puede ajustarse de 32 °F (0 °C) a 37 °F (3 °C) usando los ajustes de almacenamiento predefinidos.

Mediante el almacenamiento en el compartimiento fresco, se conserva mejor la calidad de los alimentos guardados. La baja temperatura y el grado óptimo de humedad del aire proporcionan unas condiciones ideales para guardar los alimentos frescos.

15.1 Recomendaciones de almacenamiento en el compartimiento fresco

Ajuste de almacenamiento	Alimentos
 Beverage	Bebidas
 Vegetable	Verduras
 Fruit	Frutas
 Variety	Carga mixta con frutas y verduras
 Fish	Pescados y mariscos
 Deli	Delicatessen
 Cheese	Queso y productos lácteos
 Charcuterie	Delicatessen, quesos y productos lácteos
 Meat	Carnes y embutidos

Consejo La fruta, las verduras, las bebidas y los aperitivos pueden congelarse por debajo de 32 °F (0 °C). Utilizar los ajustes de almacenamiento  y  solo para "Meat" y "Fish".

16 Congelador

En el congelador, es posible guardar productos ultracongelados, congelar alimentos y preparar cubitos de hielo.

La temperatura puede ajustarse de 6 °F (-14 °C) a -7 °F (-22 °C).

El almacenamiento de alimentos durante largos periodos de tiempo deberá efectuarse a una temperatura de 0 °F (-18 °C) o inferior.

Los alimentos perecederos pueden almacenarse congelados durante mucho tiempo. Las bajas temperaturas ralentizan o detienen su deterioro.

16.1 Consejos para colocar los alimentos en el congelador

- Almacenar los alimentos en envases herméticos.
- Los alimentos congelados no deben entrar en contacto con los alimentos frescos que se desean congelar.
- Distribuir uniformemente los alimentos en el recipiente suspendido para productos congelados.

16.2 Consejos para congelar alimentos frescos

- Congelar solo alimentos frescos y en perfectas condiciones.
- Congelar alimentos en porciones.
- Los alimentos preparados son más adecuados que los alimentos crudos.
- Lavar, trocear y escaldar la verdura antes de congelarla.
- Lavar la fruta, retirar los huesos, y si así se desea, pelarla antes de congelarla; dado el caso, se le puede añadir azúcar o una solución de ácido ascórbico.
- Algunos alimentos apropiados para congelar son el pan y la bollería, el pescado, el marisco, la carne, la caza, las aves, los huevos sin cáscara, el queso, la mantequilla, el requesón, los platos precocinados y los restos de comida.
- Algunos alimentos no apropiados para congelar son las lechugas, los rabanitos, los huevos con cáscara, las uvas, las manzanas o peras crudas, los yogures, la nata agria o fresca y la mayonesa.

Envasado de los productos congelados

Utilizar el tipo y el material de embalaje adecuados permite conservar significativamente la calidad de los productos y evitar que se quemen por congelación.

1. Introducir los alimentos en el embalaje previsto para tal efecto.
2. Eliminar todo el aire que pudiera haber en el envase.
3. Envasar los alimentos herméticamente para que no se deshidraten ni pierdan su sabor.
4. Marcar los envases, indicando su contenido y la fecha de congelación.

16.3 Métodos de descongelación para productos congelados

⚠ PRECAUCIÓN

Las bacterias pueden multiplicarse durante el proceso de descongelación de los alimentos y estos pueden deteriorarse.

- ▶ No volver a congelar los alimentos que se hayan descongelado o empezado a descongelar.
- ▶ Solo después de cocinarlos o freírlos, se podrán volver a congelar.
- ▶ El período máximo de almacenamiento ya no se podrá usar.
- Descongelar en el compartimiento de refrigeración los alimentos de origen animal, como el pescado, la carne, el queso o el requesón.
- Descongelar el pan a temperatura ambiente.
- Preparar los alimentos de consumo inmediato en el microondas, en el horno o en las placas de cocción.

17 Compartimiento de temperatura variable

Utilizar el compartimiento de temperatura variable como compartimiento refrigerador y guardar los alimentos utilizando ajustes de almacenamiento predefinidos. Alternativamente, puede utilizarse el compartimiento de temperatura variable como congelador y congelar los alimentos suavemente a temperaturas más bajas. La temperatura puede ajustarse de 0 °F (-18 °C) a 39 °F (4 °C) usando los ajustes de almacenamiento predefinidos.

17.1 Recomendaciones de almacenamiento en el compartimiento de temperatura variable

A continuación, se explica qué ajustes de almacenamiento se pueden utilizar en el compartimiento de temperatura variable.

Ajuste de almacenamiento	Alimentos
❄ Freezer	Véase: Congelador → <i>Página 85</i>
🍷 Soft Freeze	Congelar suavemente carnes, embutidos, pescados y alimentos en puré
🌀 Fridge	Véase: Compartimiento refrigerador → <i>Página 84</i>
🍹 Beverage	Bebidas
🍖 Meat/Fish	Carne y pescado
🧀 Deli/Cheese	Delicatessen, quesos y productos lácteos
🍰 Pastry	Pasteles y repostería

18 Sistema de agua

El aparato tiene componentes que conducen agua. El sistema de agua solo funciona si hay instalado un filtro de agua o una tapa con bypass. Desconectar la producción de cubitos de hielo antes de desconectar el aparato de la toma de agua. → *Página 88*

18.1 Filtro de agua

El filtro de agua filtra las partículas del agua y el sabor a cloro. El filtro de agua reduce otros tipos de impurezas, como la cloramina, el plomo y los productos farmacéuticos.

Nota: El filtro de agua no filtra bacterias ni microbios del agua.

Sustituir el filtro de agua:

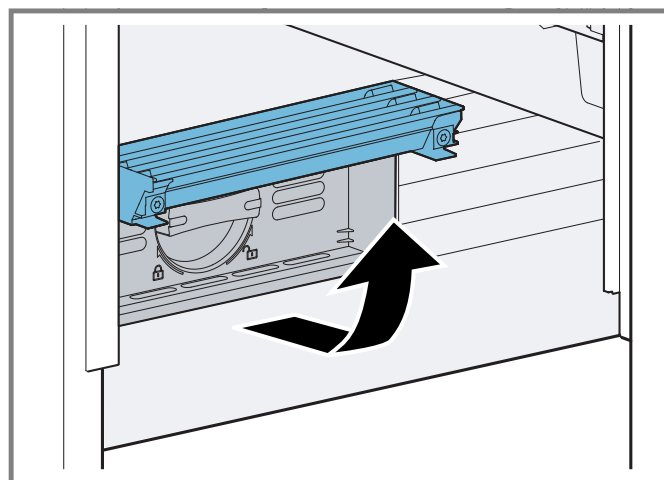
- cada 6 meses.
- si se enciende ⚠ "Filter is expired."
- si se aprecia que se agota el dispensador de agua.
- si se aprecia que se agota la producción de cubitos de hielo.

Recomendaciones

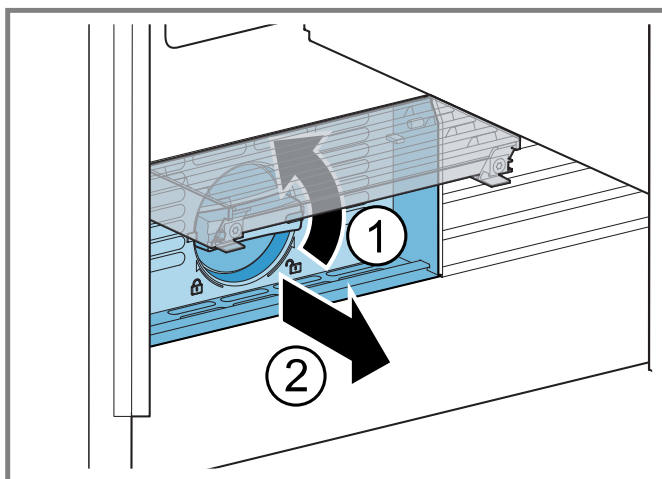
- Se puede obtener un nuevo filtro de agua a través de nuestro servicio de atención al cliente, de su distribuidor o en nuestra página web.
- Si no se desea utilizar un filtro de agua en el aparato o se tiene instalado un sistema de filtro de agua exterior, es posible reemplazar para siempre el filtro de agua por una tapa con bypass. La tapa con bypass solo filtra partículas gruesas del agua y puede limpiarse en caso sea necesario. Puede obtener una tapa con bypass a través de nuestro Servicio de atención al cliente o en nuestra página web.

Sustituir el filtro de agua o reemplazarlo por una tapa con bypass

1. Abrir la tapa del filtro hacia arriba.



2. Girar el filtro del agua 90° en sentido antihorario ① y retirarlo ②.
 - Retirar con cuidado el filtro de agua, ya que puede estar bajo presión.



Nota: Goteará un poco de agua al retirar el filtro. Eliminar el agua que ha goteado con un paño seco.

Consejo El filtro de agua usado se puede desechar con la basura del hogar.

3. Empujar el nuevo filtro de agua o la tapa con bypass en la abertura del filtro hasta el tope y girarlo 90° en sentido horario.
4. Cerrar la tapa del filtro.
5. Desechar los cubitos de hielo que se hayan producido en las primeras 24 horas y desechar el agua que salga durante cinco minutos.

18.2 Dispensador de agua

El dispensador permite servir agua fría.

Poner en funcionamiento el dispensador de agua

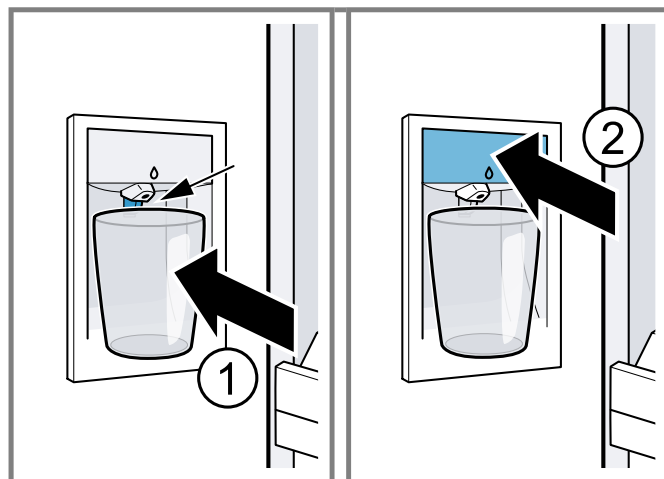
Nota: Tras conectar el aparato o insertar un nuevo filtro de agua, hay aire en el sistema de agua.

Requisito: El aparato está conectado a la toma de agua potable.

1. Dejar correr el agua hasta que no quede ninguna burbuja de aire.
Eliminar las salpicaduras de agua con un paño seco.
2. Por motivos de higiene, extraer el agua durante cinco minutos y desecharla.

Extracción de agua

- ▶ Presionar el vaso contra el interruptor de extracción ① o mantener el vaso bajo el dispensador de agua y presionar \odot ②.



Notas

- Después de un tiempo de extracción continuada, el dispensador de agua se detiene. Para volver a dispensar agua, esperar un par de segundos.
- Después de varias extracciones sucesivas, el dispensador de agua se detiene. Para volver a dispensar agua, esperar un par de minutos.

Bloqueo de teclas del dispensador de agua

El bloqueo de las teclas evita que el dispensador de agua se ponga en funcionamiento de forma involuntaria o incorrecta.

Activar el bloqueo de las teclas del dispensador de agua

1. Deslizar hasta Water.
 2. Mantener presionada la tecla Hold to unlock hasta que se ilumine completamente la barra luminosa.
- ✓ Lock icon se ilumina.

Desactivar el bloqueo de las teclas del dispensador de agua

1. Deslizar hasta Water.
 2. Mantener presionada la tecla Lock Water hasta que se ilumine completamente la barra luminosa.
- ✓ Los favoritos del nivel de llenado de agua se iluminan.

Niveles de llenado de agua



De fábrica, el aparato tiene 4 niveles de llenado de agua que se guardan como favoritos en el display. Los niveles de llenado de agua predefinidos se pueden ajustar o eliminar.

Tomar favorito




1. Deslizar hasta Water.
2. Presionar el favorito deseado.
3. Sostener un vaso debajo del dispensador de agua y presionar \odot hasta que se haya completado el nivel de llenado de agua.

Guardar nuevos favoritos


Nota: Se puede guardar un máximo de 6 niveles de llenado de agua.

1. Deslizar hasta Water.
 2. Sostener un vaso debajo del dispensador de agua y presionar  hasta que se haya completado el nivel de llenado de agua deseado.
 3. Presionar Save as Favourite.
 4. Presionar el nombre deseado.
 5. Presionar el color deseado.
 6. Presionar .
- ✓ El nuevo favorito se guarda.

Ajustar favorito

1. Deslizar hasta Water.
 2. Presionar el favorito deseado.
 3. Presionar .
 4. Tocar el nombre deseado y confirmar con .
 5. Tocar el color deseado y confirmar con .
- ✓ El favorito se ajusta.

Eliminar favorito





1. Deslizar hasta Water.
 2. Presionar el favorito deseado.
 3. Presionar .
 4. Tocar Delete favourite y confirmar con Yes, delete.
- ✓ El favorito se borra.


18.3 Fabricador de cubitos de hielo

Utilizar las diferentes funciones del fabricante de cubitos de hielo para fabricar los cubitos.

ADVERTENCIA

- Las piezas giratorias pueden causar lesiones.
- ▶ No colocar nunca las manos debajo o en el interior del fabricante de cubitos de hielo.

 Regular Ice	Producción de cubitos de hielo pequeños
 Large Ice	Producción de cubitos de hielo grandes
 Quick Ice	Producción acelerada de cubitos de hielo Nota:  "Quick Ice" solo está disponible cuando está activada la producción de cubitos de hielo.

Nota: El fabricante de cubitos de hielo detecta automáticamente que el depósito para cubitos de hielo está lleno y detiene la fabricación. En el panel indicador aparece .

El depósito de cubitos de hielo puede tardar hasta 48 horas en llenarse.

Consejo Si los cubitos de hielo tienen un sabor extraño, desechar los cubitos restantes y todos los que se produzcan en las siguientes 24 horas. Si, después de tomar esta medida, los cubitos siguen teniendo un sabor extraño, sustituir el filtro del agua.

Poner en marcha el fabricante de cubitos de hielo


Notas

- La producción de cubitos de hielo se inicia en cuanto el aparato está encendido y el congelador alcanza la temperatura establecida.
- En cuanto el congelador haya alcanzado la temperatura establecida, se habrá finalizado la primera producción de cubitos de hielo al cabo de aproximadamente 4 horas.


Requisito: El aparato está conectado a la toma de agua potable.

- ▶ Por motivos de higiene, desechar los cubitos de hielo que se hayan producido en las primeras 24 horas.

Activar la producción de cubitos de hielo

1. Tocar el ajuste del fabricante de cubitos de hielo y confirmar con .
2. Activar el modo deseado de producción de cubitos de hielo.

Desactivar la producción de cubitos de hielo

1. Tocar el ajuste del fabricante de cubitos de hielo y confirmar con .
2. Desactivar la producción de cubitos de hielo según se desee.

19 Descongelación

19.1 Desescarchar el compartimiento de refrigeración

El compartimiento de refrigeración del aparato se desescarcha automáticamente.

19.2 Desescarchar el compartimiento fresco

El compartimiento fresco del aparato se desescarcha automáticamente.

19.3 Descongelación dentro del congelador

Gracias al sistema totalmente automático «NoFrost», no se genera escarcha en el congelador. No es necesario descongelarlo.

19.4 Descongelar en el compartimiento de temperatura variable

El compartimiento de temperatura variable del aparato descongela automáticamente.

20 Limpieza y cuidados

Para que el aparato mantenga durante mucho tiempo su capacidad funcional, debe mantenerse y limpiarse con cuidado.

La limpieza en áreas inaccesibles tiene que realizarla el Servicio de Atención al Cliente. La limpieza por el Servicio de Atención al Cliente supone costos.

20.1 Indicación para la conservación de superficies de acero inoxidable

Para la conservación y limpieza de las superficies de acero inoxidable utilizar únicamente productos y paños de limpieza apropiados para acero inoxidable.

Recomendaciones

- Para evitar que se produzcan arañazos visibles, pasar el paño en dirección de la estructura de la superficie de acero inoxidable.
- Los productos y los paños de limpieza apropiados se pueden adquirir en nuestro Servicio de Atención al Cliente, en un distribuidor o en nuestra página web.

20.2 Preparar el aparato para su limpieza

1. Apagar el aparato.
2. Desenchufar el aparato de la red eléctrica.
Extraer el enchufe del cable de conexión de red o quitar el fusible de la caja de fusibles.
3. Retirar los alimentos y guardarlos en un lugar fresco.
Colocar acumuladores de frío directamente sobre los alimentos, si se dispone de ellos.

4. Retirar todos los elementos adicionales y accesorios del aparato. → *Página 90*

20.3 Limpiar el aparato

ADVERTENCIA

La penetración de humedad puede causar una descarga eléctrica.

- ▶ No utilizar limpiadores por chorro de vapor ni de alta presión para limpiar el aparato.

AVISO:

Los productos de limpieza inadecuados pueden dañar la superficie del aparato.

- ▶ No utilizar estropajos ni esponjas de fibra dura.
- ▶ No utilizar agentes agresivos ni abrasivos.
- ▶ No utilizar productos de limpieza con un alto contenido de alcohol.

Si se lavan los elementos y accesorios del aparato en el lavavajillas, estos podrían deformarse o decolorarse.

- ▶ No lavar nunca los elementos y accesorios del aparato en el lavavajillas.

1. Preparar el aparato para su limpieza. → *Página 89*
2. Limpiar el aparato, los elementos adicionales, los accesorios y las juntas de la puerta con un trapo, agua templada y un poco de jabón de pH neutro.
3. Secar completamente con un paño suave y seco.
4. Colocar los accesorios.
5. Conectar el aparato a la red eléctrica. → *Página 71*
6. Encender el aparato.
7. Introducir alimentos.

20.4 Limpiar la cámara

Si la temperatura o la humedad del aire cambian, los lentes de la cámara podrían empañarse.

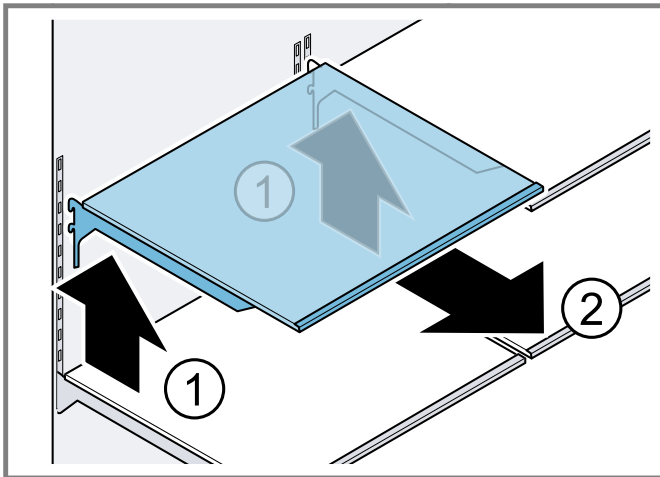
1. Limpiar los lentes de la cámara con un paño de microfibra.
2. Limpiar los lentes de la cámara con un paño de microfibra y un repelente de lluvia convencional.

20.5 Retirar elementos del aparato

Si se desea limpiar a fondo los elementos del aparato, será necesario quitarlos.

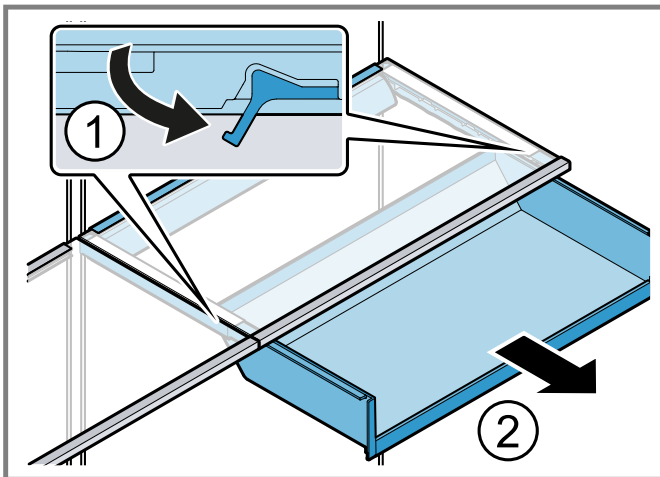
Retirar las bandejas

- ▶ Levantar ① la bandeja y extraerla ②.



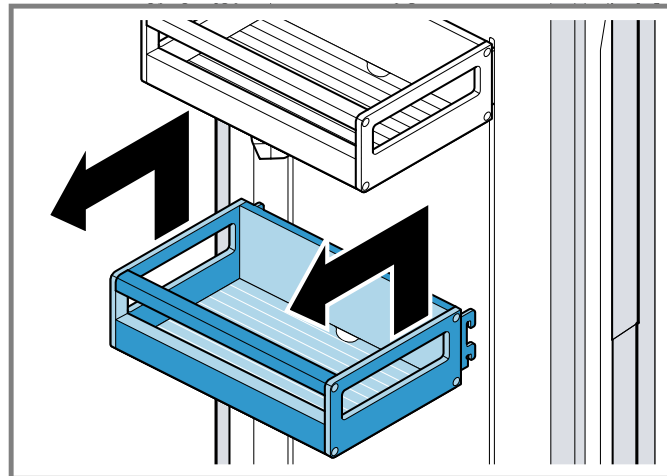
Retirar el cajón para aperitivos

1. Tirar hacia afuera del cajón para aperitivos hasta el tope.
2. Bajo el cajón para aperitivos, presionar hacia abajo el seguro para rieles de extracción ① en ambos lados y retirar el cajón para aperitivos ②.



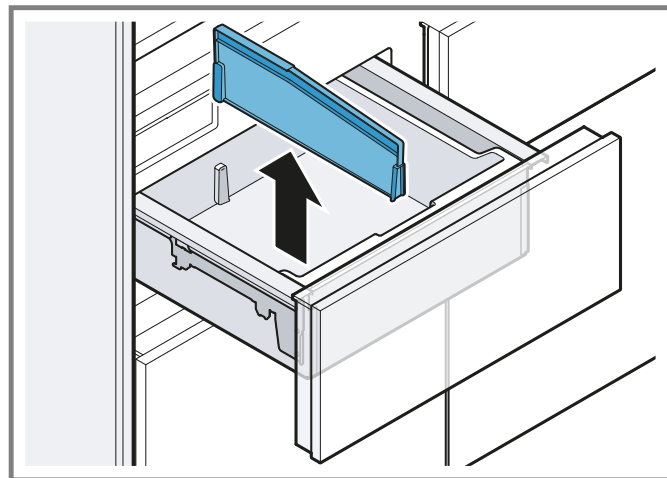
Retirar el botellero de puerta

- ▶ Levantar y extraer el botellero.



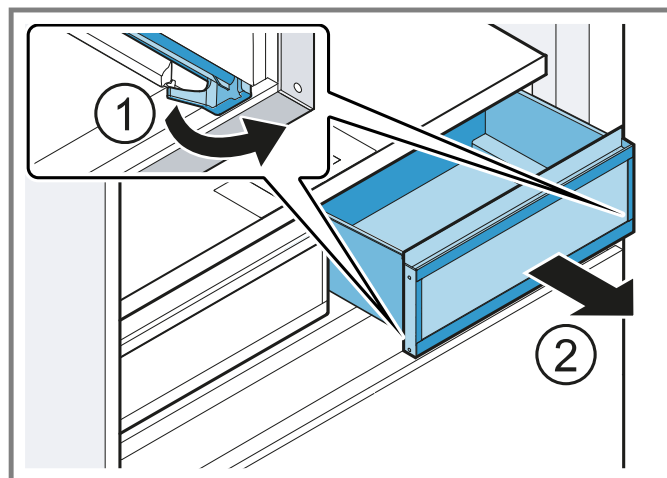
Retirar el separador de compartimentos

- ▶ Levantar y retirar el separador de compartimentos.



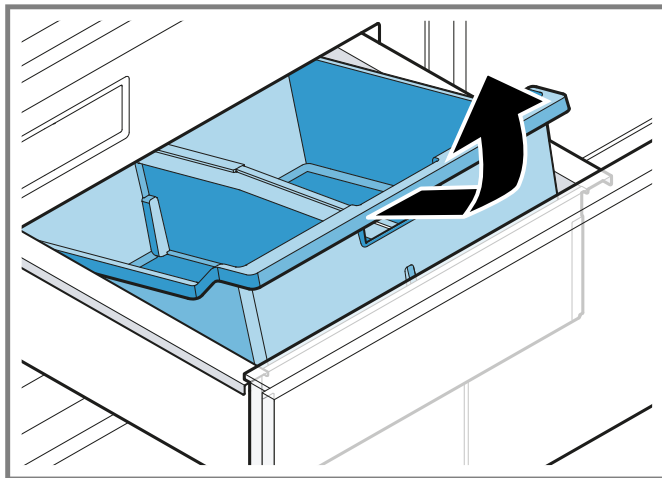
Retirar el cajón fresco

1. Jalar hacia afuera el cajón fresco hasta el tope.
2. Debajo del cajón fresco de ambos lados, presionar desde dentro hacia afuera el seguro para los rieles de extracción ①, extraerlo y retirar el cajón fresco ②.



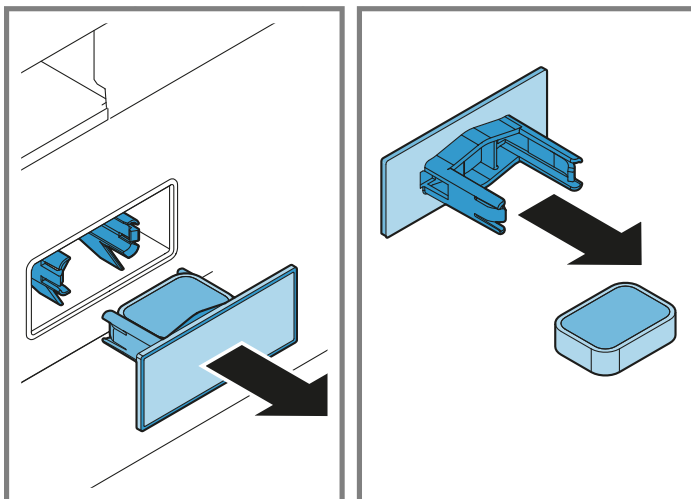
Extraer el depósito para cubitos de hielo

- ▶ Extraer el depósito para cubitos de hielo hacia arriba.



20.6 Sustituir el filtro desodorizante

1. Retirar la sujeción del filtro desodorizante.
2. Retirar el filtro desodorizante agotado del soporte del filtro desodorizante y sustituirlo por el nuevo filtro desodorizante.



Nota: Se puede obtener un nuevo filtro desodorizante a través de nuestro servicio de atención al cliente o en nuestra página web.

21 Solucionar pequeñas averías


Usted mismo puede solucionar los errores menores de su aparato. Lea la información acerca de cómo solucionar los errores antes de contactar con Atención al Cliente. Así podrá evitar costos de reparación innecesarios.

ADVERTENCIA

Para evitar riesgos de lesiones derivadas de reparaciones inadecuadas, se recomienda seguir las siguientes indicaciones.

- ▶ Únicamente los técnicos especialistas o los proveedores de servicios autorizados deben llevar a cabo reparaciones.

- ▶ Solo se pueden utilizar repuestos originales para reparar el aparato.
- ▶ Si el cable de conexión de red o el cable de conexión de este aparato resulta dañado, debe ser sustituido por un cable especial de conexión de red o por un cable especial de conexión para este aparato que puede obtenerse a través del fabricante o de su servicio de atención al cliente.

Falla	Causas y resolución de problemas
El aparato no enfría; los paneles indicadores y la iluminación interior se iluminan.	El modo de exposición está activado. <ol style="list-style-type: none"> 1. Deslizar hasta "Service". 2. Tocar "Advanced Service". 3. Tocar "Demo Mode " .
La iluminación LED no funciona.	Son posibles diferentes causas. <ul style="list-style-type: none"> ▶ Ponerse en contacto con el Servicio de atención al cliente. → "Servicio de atención al cliente", <i>Página 96</i>
La frecuencia y duración de la conexión del compresor aumenta.	El aparato se ha abierto con frecuencia. <ul style="list-style-type: none"> ▶ No se debe abrir la puerta del aparato innecesariamente. <p>Las aberturas de ventilación exteriores están cubiertas.</p> <ul style="list-style-type: none"> ▶ Se debe eliminar la causa de la obstrucción de las aberturas de ventilación exteriores. <p>No se trata de un error. Las máquinas de refrigeración modernas se encienden con más frecuencia y tienen distintos niveles de potencia para refrigerar con más eficacia.</p> <ul style="list-style-type: none"> ▶ Se debe eliminar la causa de la obstrucción de las aberturas de ventilación exteriores. ▶ Colocar el aparato con la mayor distancia posible respecto a resistencias, hornos y otras fuentes de calor. Evitar la exposición prolongada del aparato a la radiación solar directa. ▶ No mantener abierta la puerta del aparato más de lo necesario. ▶ Dejar enfriar los alimentos y bebidas calientes antes de guardarlos.
Se forma una capa de escarcha en la pared trasera del compartimento de refrigeración.	No se trata de un error. Las máquinas de refrigeración modernas garantizan una temperatura más uniforme en el compartimento de refrigeración. La placa posterior del compartimento de refrigeración se descongela automáticamente a intervalos regulares. <ul style="list-style-type: none"> ▶ No mantener abierta la puerta del aparato más de lo necesario. ▶ Envasar la comida de forma hermética o cubrirla. ▶ Dejar enfriar los alimentos y bebidas calientes antes de guardarlos. ▶ Dejar siempre algo de espacio entre la comida y las paredes interiores.
Home Connect® no funciona correctamente.	Son posibles diferentes causas. <ul style="list-style-type: none"> ▶ Acceder a www.home-connect.com.
Las cámaras no sacan fotos.	Las cámaras no están activadas en Home Connect. <ul style="list-style-type: none"> ▶ Activar las cámaras. <p>Las cámaras no están calibradas.</p> <ol style="list-style-type: none"> 1. Apagar el aparato. 2. Desconectar el aparato de la red eléctrica.

Falla	Causas y resolución de problemas
Las cámaras no sacan fotos.	<p>Extraer el enchufe del cable de conexión de red o desconectar el fusible de la caja de fusibles.</p> <ol style="list-style-type: none"> Volver a conectar el aparato tras cinco minutos. Encienda el aparato con el interruptor general. → "Aparato", Fig. 1/13, <i>Página 73</i> Cierre las puertas del aparato y espere 3 minutos. Si la falla persiste, avisar al Servicio de atención al cliente. → <i>Página 96</i>
Las cámaras sacan fotos borrosas.	<p>La puerta del aparato se ha cerrado demasiado rápido.</p> <ul style="list-style-type: none"> ▶ Cerrar despacio la puerta del aparato. <hr/> <p>Los lentes de la cámara están empañados. La puerta del aparato ha permanecido abierta durante demasiado tiempo.</p> <ol style="list-style-type: none"> Limpiar las cámaras. → <i>Página 89</i> No dejar la puerta del aparato abierta durante demasiado tiempo. <hr/> <p>La lámina antiempañamiento está dañada.</p> <ul style="list-style-type: none"> ▶ Ponerse en contacto con el Servicio de atención al cliente. → "Servicio de atención al cliente", <i>Página 96</i>
Faltan imágenes, no están bien recortadas o muestran un ángulo erróneo.	<p>Las cámaras no están calibradas.</p> <ol style="list-style-type: none"> Apagar el aparato. Desconectar el aparato de la red eléctrica. <p>Extraer el enchufe del cable de conexión de red o desconectar el fusible de la caja de fusibles.</p> <ol style="list-style-type: none"> Volver a conectar el aparato tras cinco minutos. Encienda el aparato con el interruptor general. → "Aparato", Fig. 1/13, <i>Página 73</i> Cierre las puertas del aparato y espere 3 minutos. Si la falla persiste, avisar al Servicio de atención al cliente. → <i>Página 96</i>
En el panel indicador aparece un mensaje con "D" o "E".	<p>El sistema electrónico ha detectado una falla.</p> <ol style="list-style-type: none"> Apagar el aparato. Desconectar el aparato de la red eléctrica. <p>Extraer el enchufe del cable de conexión de red o desconectar el fusible de la caja de fusibles.</p> <ol style="list-style-type: none"> Volver a conectar el aparato tras cinco minutos. Si la indicación vuelve a aparecer, avisar al Servicio de Atención al Cliente. → "Servicio de atención al cliente", <i>Página 96</i>
Suena la señal acústica y aparece "Door Alarm". La alarma de la puerta está activada.	<p>La puerta del aparato está abierta.</p> <ul style="list-style-type: none"> ▶ Cerrar la puerta del aparato.
Suena una señal acústica y "Freezer High Temp. Alarm" se ilumina. La alarma de temperatura está activada.	<p>Son posibles diferentes causas.</p> <ol style="list-style-type: none"> Tocar "Yes, see highest temp." y confirmar con "OK". <ul style="list-style-type: none"> ✓ La alarma se desactiva. <ol style="list-style-type: none"> Comprobar tras unas horas que el congelador ha vuelto a alcanzar la temperatura establecida.
	<p>Se han introducido grandes cantidades de alimentos frescos en el interior.</p> <ul style="list-style-type: none"> ▶ No exceder la capacidad de congelación de alimentos frescos del aparato.

Falla	Causas y resolución de problemas
La temperatura difiere considerablemente del valor seleccionado.	<p>Son posibles diferentes causas.</p> <ol style="list-style-type: none"> 1. Apagar el aparato. 2. Volver a encender el aparato tras unos 5 minutos. <ul style="list-style-type: none"> – Si la temperatura es demasiado alta, volver a comprobarla al cabo de unas pocas horas. – Si la temperatura es demasiado baja, volver a comprobarla al día siguiente.
Sale agua del aparato.	<p>La conexión o la manguera de alimentación de agua tiene fugas.</p> <ul style="list-style-type: none"> ▶ Comprobar que las conexiones a la toma de agua estén firmemente apretadas y la manguera de agua se encuentre en buen estado. <p>En caso necesario, cambiar la manguera de agua.</p>
El dispensador de agua se reduce.	<p>La presión del agua es demasiado baja.</p> <ul style="list-style-type: none"> ▶ Comprobar la presión de agua del dispositivo de suministro de agua o del sistema de filtro de agua exterior, p. ej., el sistema de ósmosis inversa. <p>Conectar a una toma de agua con suficiente presión. → <i>Página 70</i></p>
Se registran fugas de agua en forma de gotas en el dispensador de agua.	<p>El filtro de agua está obstruido.</p> <ul style="list-style-type: none"> ▶ Sustituir el filtro de agua. <p>Hay aire en el sistema de agua.</p> <ul style="list-style-type: none"> ▶ Retirar el agua hasta que no quede aire.
El dispensador de agua no funciona.	<p>No hay alimentación de agua.</p> <ul style="list-style-type: none"> ▶ Asegurarse de que haya alimentación de agua disponible y de que la válvula de cierre de la toma de agua esté abierta. <p>En caso necesario, ponerse en contacto con un instalador.</p> <p>Hay una doblez en la manguera de agua.</p> <ul style="list-style-type: none"> ▶ Apagar el suministro de agua y rectificar la doblez de la manguera de agua. <p>En caso necesario, cambiar la manguera de agua.</p>
La producción de cubitos de hielo es baja.	<p>El aparato está conectado.</p> <ul style="list-style-type: none"> ▶ Esperar aprox. 4 horas hasta que finalice la primera producción de cubitos de hielo. <p>El congelador se ha abierto con frecuencia o se ha mantenido abierto durante un periodo prolongado.</p> <ul style="list-style-type: none"> ▶ Comprobar la producción de cubitos de hielo tras unas horas. <p>La presión del agua es demasiado baja.</p> <ul style="list-style-type: none"> ▶ Comprobar la presión de agua del dispositivo de suministro de agua o del sistema de filtro de agua exterior, p. ej., el sistema de ósmosis inversa. <p>Conectar a una toma de agua con suficiente presión. → <i>Página 70</i></p> <p>El filtro de agua está obstruido.</p> <ul style="list-style-type: none"> ▶ Sustituir el filtro de agua. <p>Hay alimentos u objetos que bloquean el sensor de nivel de llenado del fabricante de cubitos de hielo.</p> <ul style="list-style-type: none"> ▶ Retirar todos los alimentos y objetos del depósito para cubitos de hielo. <p>Falla en el fabricante de cubitos de hielo.</p> <ol style="list-style-type: none"> 1. Apagar el aparato. 2. Desconectar el aparato de la red eléctrica. <p>Extraer el enchufe del cable de conexión de red o desconectar el fusible de la caja de fusibles.</p> 3. Volver a conectar el aparato tras cinco minutos. 4. Si la falla persiste, avisar al Servicio de atención al cliente. → <i>Página 96</i>

Falla	Causas y resolución de problemas
El fabricante de cubitos de hielo no funciona.	<p>La producción de cubitos de hielo está desactivada.</p> <ul style="list-style-type: none"> ▶ Encender la producción de cubitos de hielo. → <i>Página 88</i> <hr/> <p>No hay alimentación de agua.</p> <ul style="list-style-type: none"> ▶ Asegurarse de que haya alimentación de agua disponible y de que la válvula de cierre de la toma de agua esté abierta. <p>En caso necesario, ponerse en contacto con un instalador.</p> <hr/> <p>Hay una doblez en la manguera de agua.</p> <ul style="list-style-type: none"> ▶ Apagar el suministro de agua y rectificar la doblez de la manguera de agua. <p>En caso necesario, cambiar la manguera de agua.</p> <hr/> <p>Falla en el fabricante de cubitos de hielo.</p> <ol style="list-style-type: none"> 1. Apagar el aparato. 2. Desconectar el aparato de la red eléctrica. Extraer el enchufe del cable de conexión de red o desconectar el fusible de la caja de fusibles. 3. Volver a conectar el aparato tras cinco minutos. 4. Si la falla persiste, avisar al Servicio de atención al cliente. → <i>Página 96</i>
El aparato suena, burbujea, traquetea o emite zumbidos, chasquidos, crujidos o ruidos de agua en movimiento.	<p>No se trata de una falla. Hay un motor en marcha (compresores, ventilador). Fluye refrigerante a través de los tubos. El motor, los interruptores, las electroválvulas o las válvulas de agua se conectan o desconectan. Se ejecuta el desescarchado automático. Los cubitos de hielo caen en el depósito para cubitos de hielo. No es necesario realizar ninguna acción.</p>
El aparato hace ruidos.	<p>El aparato está colocado en posición desnivelada.</p> <ul style="list-style-type: none"> ▶ Nivelar el aparato con la ayuda de un nivel de burbuja y de las patas atornilladas. <hr/> <p>Los elementos del aparato se tambalean o se quedan atascados.</p> <ul style="list-style-type: none"> ▶ Comprobar los elementos extraíbles y, en caso necesario, volver a introducirlos. <hr/> <p>Las botellas o recipientes entran en contacto mutuo.</p> <ul style="list-style-type: none"> ▶ Separar las botellas o recipientes entre sí. <hr/> <p>La función Supercongelación está activada. No es necesario realizar ninguna acción.</p>

21.1 Interrupción del suministro eléctrico

Al producirse un corte en el suministro eléctrico, la temperatura del aparato aumenta, lo que reduce el tiempo de almacenamiento y afecta a la calidad de los productos congelados.

Notas

- Durante el corte de suministro eléctrico, se recomienda abrir el aparato lo menos posible y no guardar nuevos alimentos.
- Al finalizar el corte de suministro eléctrico, es preciso comprobar la calidad de los alimentos.
 - Desechar los productos congelados que se hayan descongelado y estén a temperaturas superiores a los 41 °F (5 °C).
 - Los productos congelados que se hayan descongelado ligeramente se pueden cocinar o calentar ligeramente para su consumo; también es posible volver a congelarlos.

22 Almacenamiento y eliminación

22.1 Interrumpir el funcionamiento del aparato

1. Apagar el aparato.
2. Desenchufar el aparato de la red eléctrica.
Extraer el enchufe del cable de conexión de red o quitar el fusible de la caja de fusibles.
3. Desconectar el aparato de la toma de agua.
4. Extraer todos los alimentos.
5. Desmontar el filtro de agua.
6. Limpiar el aparato. → *Página 89*
7. Para asegurar la ventilación del interior del aparato, dejar la puerta abierta.

22.2 Eliminación de los aparatos usados

Mediante una eliminación respetuosa con el medio ambiente se pueden reutilizar materias primas valiosas.

ADVERTENCIA

Los niños pueden quedar encerrados en el aparato y poner así en peligro su vida.

- ▶ Quitar las puertas del aparato.
- ▶ Dejar las bandejas y recipientes dentro del aparato para dificultar que los niños puedan acceder al interior del mismo.
- ▶ Mantenga a los niños lejos de los aparatos usados.

ADVERTENCIA

Si las tuberías están dañadas, se puede escapar refrigerante inflamable y gases nocivos, lo que puede provocar un incendio.

- ▶ No dañe las tuberías del circuito de refrigeración y aislamiento.

1. Desenchufar el cable de conexión a la red de la toma de corriente.
2. Separar el cable de conexión a la red.
3. Quitar las puertas del aparato.
4. Desechar el aparato de manera respetuosa con el medio ambiente.

Su distribuidor o el ayuntamiento local puede proporcionarle información sobre las vías y posibilidades actuales de desecho de materiales.

23 Servicio de atención al cliente

En cada reparación cubierta por la garantía, nos aseguramos de que su aparato sea reparado con repuestos originales por un proveedor de servicio capacitado y autorizado. Solo utilizamos repuestos originales para todos los tipos de reparaciones. Las informaciones detalladas sobre el periodo de validez de la garantía y las condiciones de garantía las podrá encontrar en nuestras condiciones de garantía, con su distribuido o en nuestra página web.

Cuando se ponga en contacto con el servicio de atención al cliente, no olvide indicar el número de modelo (E-Nr.), el número de fabricación (FD) y el número de conteo (Z-Nr.) del aparato.

USA:

1-800-735-4328

www.thermador.com/support

www.thermador.com/us/accessories

CA:

1-800-735-4328

www.thermador.ca

www.thermador.ca/en/support/filters-cleaners-accessories

Aquí podrá encontrar ayuda para la conexión con

Home Connect®:

www.home-connect.com/us/en/help-support/set-up

23.1 Número de modelo (E-Nr.), número de fabricación (FD) y número de conteo (Z-Nr.)

El número de modelo (E-Nr.), el número de fabricación (FD) y el número de conteo (Z-Nr.) se encuentran en la placa de características del aparato.

→ "Aparato", Fig.  16, Página 73

Para volver a encontrar rápidamente los datos del aparato o el número de teléfono del servicio de atención al cliente, puede anotar dichos datos.

24 Datos técnicos

En la placa de características del aparato figuran el líquido refrigerante empleado, la capacidad útil y otras especificaciones técnicas.

→ "Aparato", Fig.  16, Página 73

24.1 Informaciones referentes al software libre y de código abierto

El presente producto contiene componentes de software que están licenciados como software libre y de código abierto por los derechos de autor.

Las informaciones de licencia correspondientes se encuentran memorizadas en el aparato. También se puede acceder a las informaciones de licencia correspondientes a través de la aplicación Home Connect®: «Perfil -> Advertencias legales -> Informaciones de licencia». ¹ Se puede descargar las informaciones de licencia en la página web de la marca del producto. (Por favor, busque el modelo de aparato y demás documentos en la página web del producto). También se pueden solicitar las informaciones correspondientes en ossrequest@bshg.com o BSH Hausgeräte GmbH, Carl-Wery-Str. 34, D-81739 München. El código fuente se pondrá a disposición a pedido. Por favor, envíe su solicitud a ossrequest@bshg.com o BSH Hausgeräte GmbH, Carl-Wery-Str. 34, D-81739 München.

Asunto: „OSSREQUEST“

Los costos para el trámite de su solicitud le serán facturados. Esta oferta es válida por tres años a partir de la fecha de compra o, como mínimo, por el tiempo en el que ofrecemos asistencia técnica y repuestos para el aparato correspondiente.

¹ Según el equipamiento del aparato



A series of horizontal lines for writing, starting from the top of the page and extending down to the bottom. The lines are evenly spaced and cover the entire width of the page.

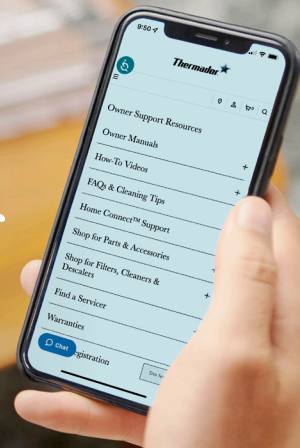


A series of horizontal lines spanning the width of the page, providing a template for writing. The lines are evenly spaced and extend from the left margin to the right edge of the page.



A series of horizontal lines for writing, consisting of a top line followed by 20 evenly spaced lines below it, spanning the width of the page.

Thermador[®] ★ Exclusive Insider Information



[Thermador.com/us/support/quicklinks](https://thermador.com/us/support/quicklinks)



Owner Manuals

Download owner manuals, specifications and CADs.



How-To Videos

View instructional videos for changing water filters, cleaning, adjusting settings, and beyond.



FAQs & Cleaning Tips

Browse through cleaning, usage, and troubleshooting tips.



Home Connect[®] Support

Find the answers to all your Home Connect[®] related questions.



Thermador Accessories Store

Purchase filters, cleaners, accessories, and parts.



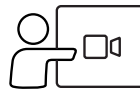
Warranties

View information on Thermador product warranties.



Product Registration

Register your products today to easily manage your appliance information.



Virtual Demo

Schedule a product overview to receive step-by-step guidance on using your appliance.



Virtual Showroom

Take a Virtual Showroom tour to view and interact with our entire collection of appliances.



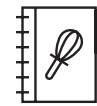
Newsletter

Get the latest information on product news and events.



Blog

Read about the latest in home design and culinary inspiration.



Recipes

Need inspiration for your next gathering? Browse our vast collection of recipes.

1901 MAIN STREET, SUITE 600 IRVINE, CA 92614 USA // 1-800-735-4328 // WWW.THERMADOR.COM

© 2025 BSH HOME APPLIANCES CORPORATION
9001916021 // en-us, fr-ca, es-mx // 050602

