

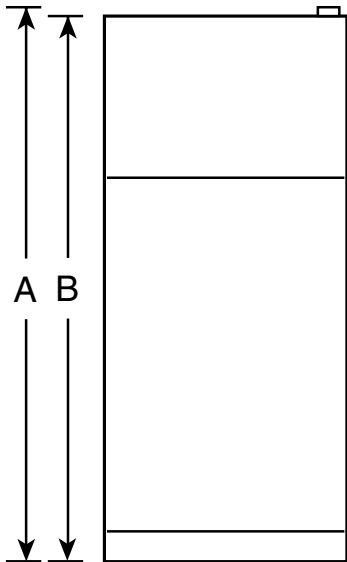


GE Appliances

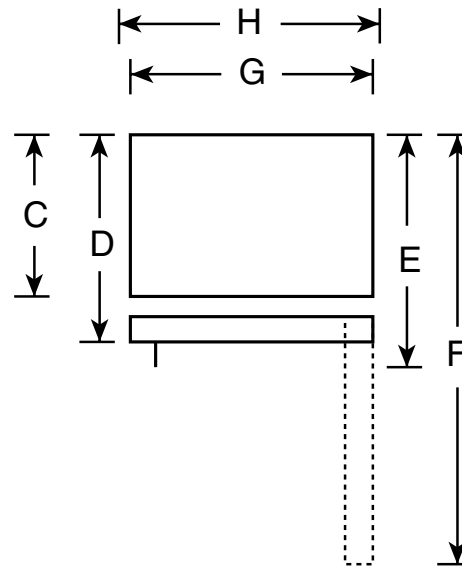
TBX18AABAA - GE 18.2 Cu. Ft. TMNF Refrigerator

Dimensions (in inches)

Front View



Top View



Overall Dimensions	Height with hinge (in.) A	64-3/4
	Height without hinge (in.) B	64
	Depth without Doors (in.) C	27-1/2
	Depth with Doors (in.) D	29-13/16
	Depth plus Handle with Doors Closed (in.) E	31-1/4
	Depth with Doors open 90° (in.) F	58
	Width with Doors Closed (in.) G	29-3/8
	Width with Doors open 90° (in.) H	29-3/8
Air Clearances	Each side (in.)	3/4
	Top (in.)	1
	Back (in.)	1

For answers to your Monogram®
 GE Profile Performance Series™
 GE Profile™ or GE appliance questions, call
 GE Answer Center® service, 800.626.2000.



Total volume and shelf area are calculated by the Association of Home Appliance Manufacturers' standards.

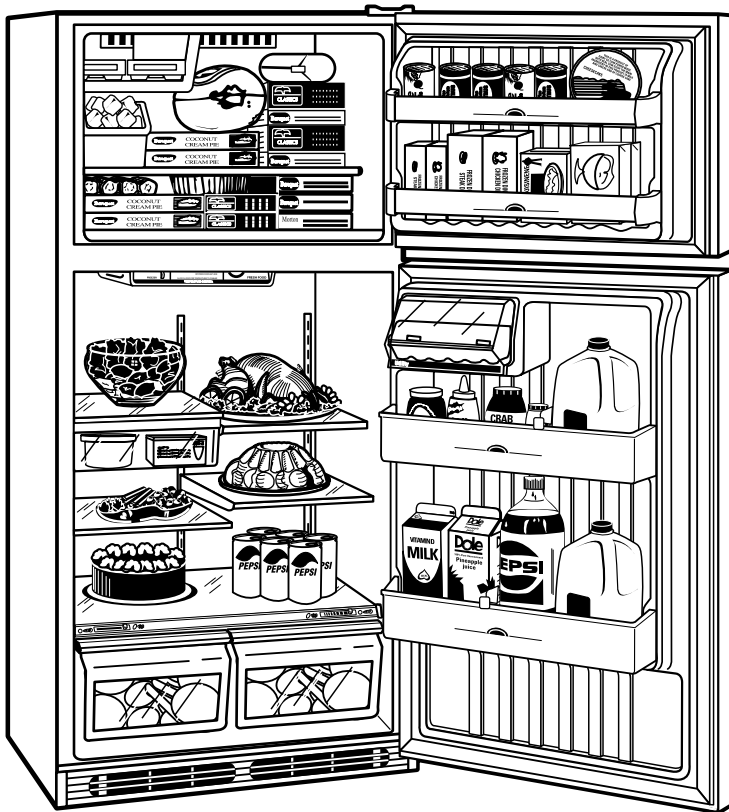


Listed by Underwriters Laboratories



GE Appliances

TBX18AABWW - GE 18.2 Cu. Ft. TMNF Refrigerator



Features and Benefits

- 18.2 cu ft Capacity (Fresh Food 13.04 cu ft / Freezer 5.13 cu ft)
- Adjustable Humidity Window Fruit/Vegetable Crispers
- Snack Pan
- 4 Split, Spill Proof, Adjustable Glass Fresh Food Cabinet Shelves
- Adjustable Modular Gallon Door Bins
- Dairy Compartment
- Adjustable Full-Width Wire Everwhite Freezer Compartment Shelf
- 2 Freezer Door Shelves
- Equipped for Optional Automatic Icemaker
- 2 Ice 'n Easy Trays
- Quiet Package
- Color-Matched Door Handles
- Model TBX18AABWW - White on white
- Model TBX18AABAA - Almond on almond