

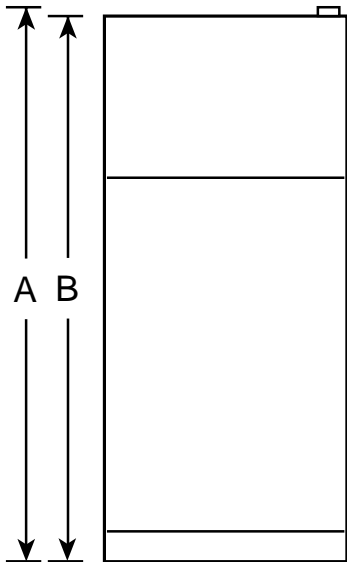


GE Appliances

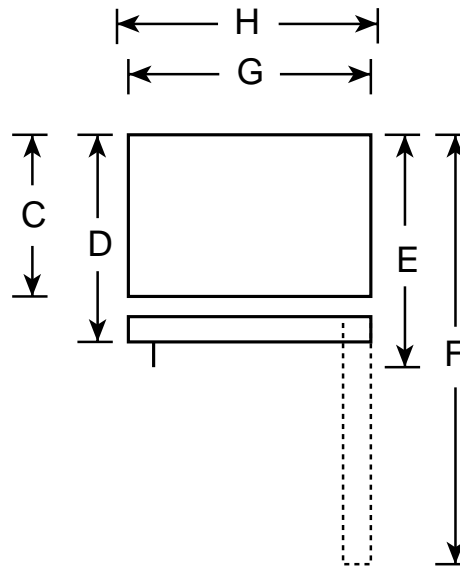
TBX19FIBWW - GE 19.0 Cu. Ft. TMNF Refrigerator with Icemaker

Dimensions (in inches)

Front View



Top View



Overall Dimensions	Height with hinge (in.) A	64-3/4
	Height without hinge (in.) B	64
	Depth without Doors (in.) C	27-1/2
	Depth with Doors (in.) D	31
	Depth plus Handle with Doors Closed (in.) E	32-3/4
	Depth with Doors open 90° (in.) F	58
	Width with Doors Closed (in.) G	29-3/8
	Width with Doors open 90° (in.) H	30-3/4
Air Clearances	Each side (in.)	3/4
	Top (in.)	1
	Back (in.)	1

For answers to your Monogram®
 GE Profile Performance Series™
 GE Profile™ or GE appliance questions, call
 GE Answer Center® service, 800.626.2000.



Total volume and shelf area are calculated by the Association of Home Appliance Manufacturers' standards.



Listed by Underwriters Laboratories



GE Appliances

TBX19FIBWW - GE 19.0 Cu. Ft. TMNF Refrigerator with Icemaker



Features and Benefits

- 19.0 cu. ft. Capacity (Fresh Food 13.61 cu. ft. / Freezer 5.40 cu. ft.)
- 2 Fruit/Vegetable Crispers
- 3 Adjustable Glass Fresh Food Cabinet Shelves (2 Split and Spill Proof, 1 Full-Width)
- 3 Fixed Fresh Food Door Shelves (2 with Gallon Storage)
- Dairy Compartment
- 2 Encapsulated Freezer Door Shelves
- Factory-Installed Automatic Icemaker
- Ice Storage Bin
- Color-Matched Deluxe Door Handles
- Model TBX19FIBWW - White on white
- Model TBX21FIBAA - Almond on almond