

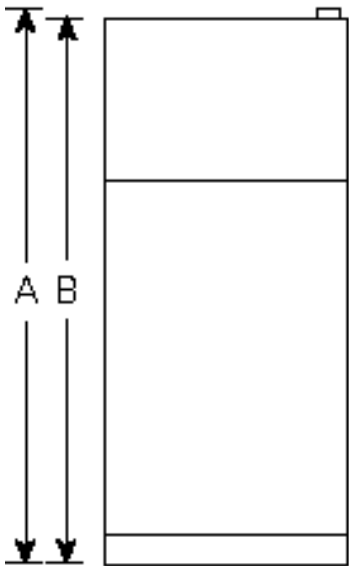


GE Appliances

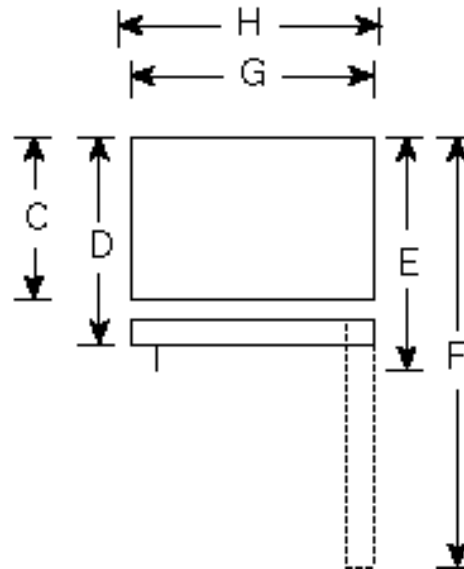
TBX19QABWW - GE "Q" Series 19.0 Cu. Ft. TMNF Refrigerator

Dimensions (in inches)

Front View



Top View



| | | |
|--------------------|---|--------|
| Overall Dimensions | Height with hinge (in.) A | 64-3/4 |
| | Height without hinge (in.) B | 64 |
| | Depth without Doors (in.) C | 27-1/2 |
| | Depth with Doors (in.) D | 31 |
| | Depth plus Handle with Doors Closed (in.) E | 32-3/4 |
| | Depth with Doors open 90° (in.) F | 58 |
| | Width with Doors Closed (in.) G | 29-3/8 |
| | Width with Doors open 90° (in.) H | 30-3/4 |
| Air Clearances | Each side (in.) | 3/4 |
| | Top (in.) | 1 |
| | Back (in.) | 1 |

For answers to your Monogram®
 GE Profile Performance Series™
 GE Profile™ or GE appliance questions, call
 GE Answer Center® service, 800.626.2000.



Total volume and shelf area are calculated by the Association of Home Appliance Manufacturers' standards.

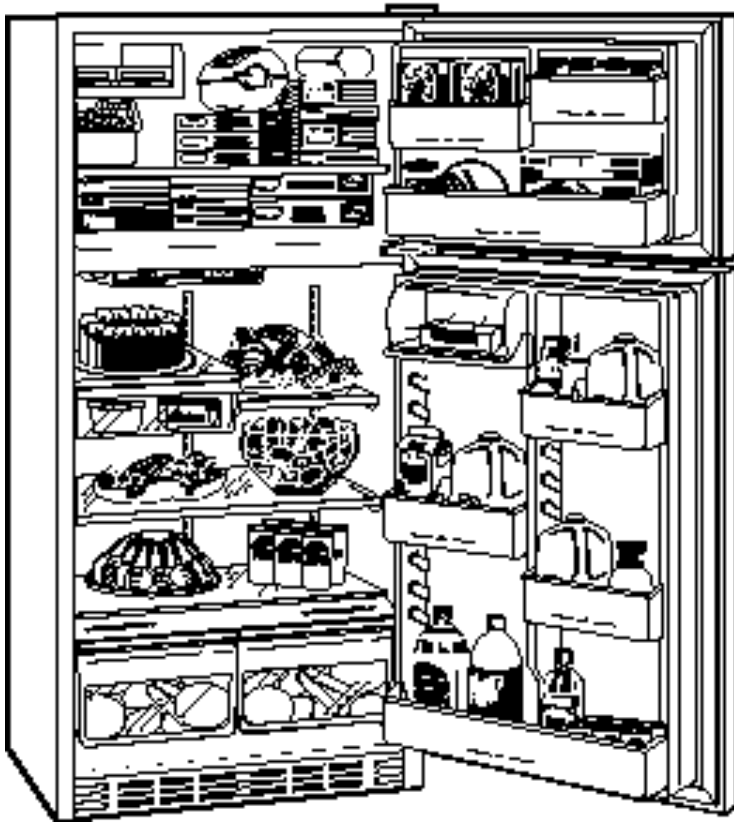


Listed by Underwriters Laboratories



GE Appliances

TBX19QABWW - GE "Q" Series 19.0 Cu. Ft. TMNF Refrigerator



Features and Benefits

- 19.0 cu ft Capacity (Fresh Food 13.61 cu ft / Freezer 5.40 cu ft)
- Adjustable Humidity Window Fruit/Vegetable Crispers
- Snack Pan
- 3 Spill Proof (2 Split) Adjustable Glass Fresh Food Cabinet Shelves
- 4 Modular Gallon Door Bins (3 Adjustable)
- Dairy Compartment
- Egg Bin
- 1 Adjustable, Full-Width Wire Everwhite Freezer Compartment Shelf
- 3 Freezer Door Shelves (1 Adjustable)
- Equipped for Optional Automatic Icemaker
- 2 Ice 'n Easy Trays
- Color-Matched Deluxe Door Handles
- Model TBX19QABWW–White on White
- Model TBX19QABAA–Almond on Almond