

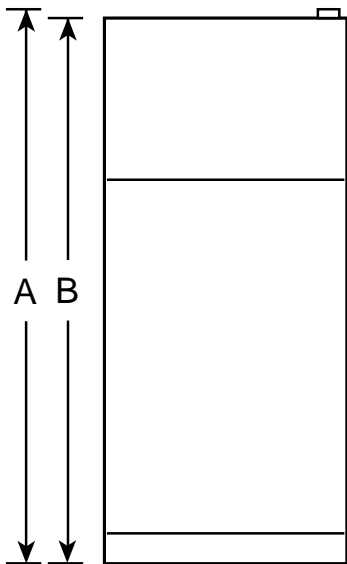


GE Appliances

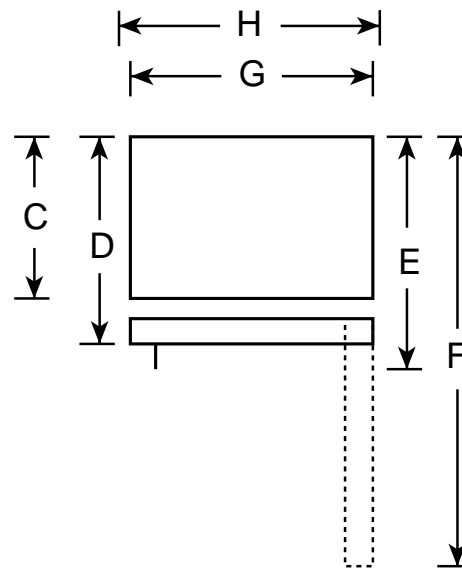
TBX19ZIBAA—"Z" Series Top-Mount No-Frost Refrigerator

Dimensions (in inches)

Front View



Top View



Overall Dimensions	Height with hinge (in.) A	64-3/4
	Height without hinge (in.) B	64
	Depth without Doors (in.) C	27-1/2
	Depth with Doors (in.) D	31
	Depth plus Handle with Doors Closed (in.) E	32-3/4
	Depth with Doors open 90° (in.) F	58
	Width with Doors Closed (in.) G	29-3/8
	Width with Doors open 90° (in.) H	30-3/4
Air Clearances	Each side (in.)	3/4
	Top (in.)	1
	Back (in.)	1

For answers to your Monogram®GE Profile Performance Series™ GE Profile™ and GE appliance questions, call GE Answer Center® service, 800.626.2000.



Total volume and shelf area are calculated by the Association of Home Appliance Manufacturers' standards.



Listed by Underwriters Laboratories



GE Appliances

TBX19ZIBAA—"Z" Series Top-Mount No-Frost Refrigerator



Features and Benefits

- 19.0 cu. ft. Capacity (Fresh Food 13.61 cu. ft. / Freezer 5.40 cu. ft.)
- Equipped with Factory-Installed Icemaker and Ice Bucket
- 2 Adjustable Humidity Fruit/Vegetable Crispers
- Slide-Out, Slide-Over Pans
- Snack Pan
- 4 Split, Spill Proof, Adjustable Glass Fresh Food Cabinet Shelves
- 4 Modular Gallon Door Bins (3 Adjustable)
- Dairy Compartment with Butter Dish
- Utility Bin
- Baking Soda Holder
- 1 Adjustable, Full-Width Wire Everwhite Freezer Shelf
- 3 Freezer Door Shelves
- Color-Matched Deluxe Door Handles
- Model TBX19ZIBWW—White on White
- Model TBX19ZIBAA—Almond on Almond