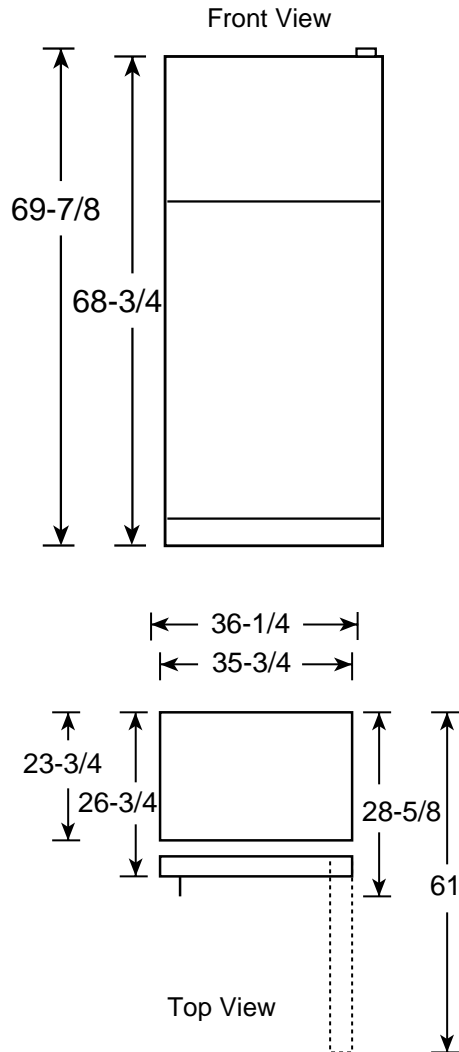




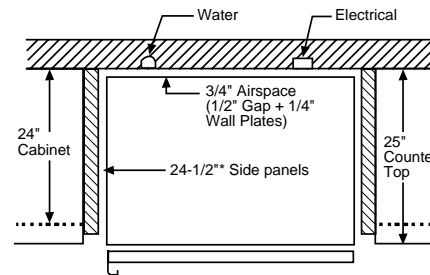
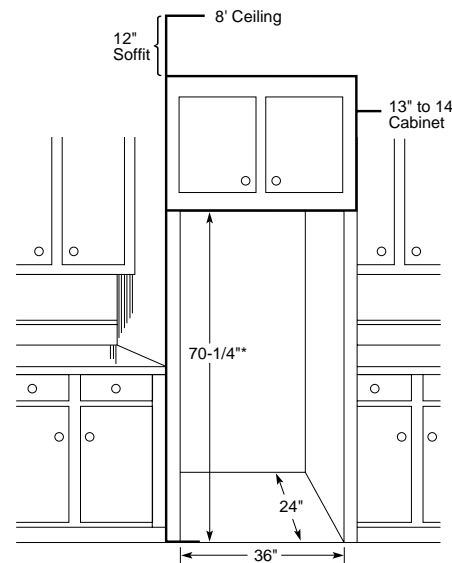
# Profile Performance Series™

## TNX22PRCCC - GE Profile Performance™ 21.7 Cu. Ft. CustomStyle™ No-Frost Top-Freezer Refrigerator with Dispenser

### Case Dimensions (in inches/cm.)



### Rough-In Dimensions (in inches/cm.)



### Standard, New Construction and Replacement Installation

#### Installation Tips to Maximize the Built-In Look

- All wall/floor moulding should be removed prior to installation.
- Water recess on rear wall recommended to prevent water line damage. 48" minimum length 1/4" diameter water line tubing recommended.
- When possible, recess both copper water line and electrical outlet. (See local codes)
- Front and rear leveling legs are adjustable for the built-in look. (See owner's manual)

#### Handle Side Clearance

- At least 2" (51 mm) on the handle side for fingertip clearances.

#### Top and Bottom Clearance

- At least 3/16" (4.75 mm) at the top and bottom edges to allow for trim flange.

#### Hinge Side Clearance

- The installation of 3/4" (19 mm) thick side panels requires less clearance because the space between the door and adjacent countertop is wider.
- To avoid door contact to countertop consider:
  - Miter the corner of the adjacent countertops 45°, or
  - pull the refrigerator forward enough to avoid contact.

**IMPORTANT:** Before finalizing specifications for your GE Profile Performance™ CustomStyle™ Refrigerator, Please NOTE:

- A minimum of 36" is required for refrigerator installation
- Be sure to allow for 1/2" or 3/4" side panels in addition to the 36" minimum

For answers to your Monogram®, GE Profile Performance Series™, GE Profile™ or GE appliance questions, call GE Answer Center® service, 800.626.2000.



Total volume and shelf area are calculated by the Association of Home Appliance Manufacturers' standards.



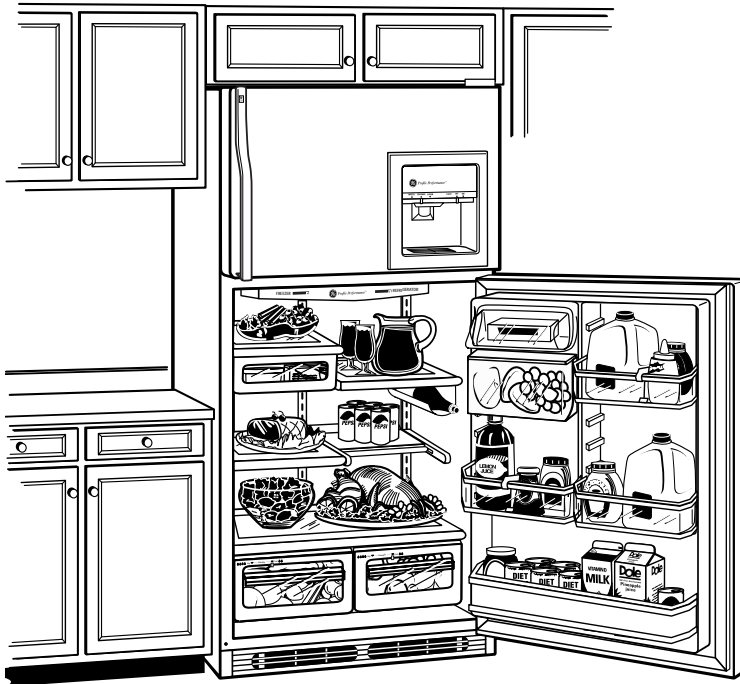
Listed by Underwriters Laboratories





## Profile Performance Series™

### TNX22PRCCC - GE Profile Performance™ 21.7 Cu. Ft. CustomStyle™ No-Frost Top-Freezer Refrigerator with Dispenser



#### Features and Benefits

- 21.7 cu ft Capacity (Fresh Food 15.4 cu ft / Freezer 6.3 cu ft)
- LightTouch! Dispenser Delivers Chilled Water, Cubed and Crushed Ice Through the Door
- 2 Adjustable Humidity Window Vegetable/Fruit Crispers
- Adjustable Temperature Meat Pan
- Slide-Out, Spill-Proof Crisper Cover
- 4 Adjustable Glass Fresh Food Cabinet Shelves (3 Slide Out, 3 Spill Proof)
- 3 Adjustable Modular Door Bins with Gallon Storage
- 1 Fixed Fresh Food Door Shelf
- Quick Space™ Shelf
- Quick Store™ Bin
- Beverage Rack
- Slide-Out, Slide-Over Pans
- Modular Dairy Compartment with Glass Butter Dish
- Snugger™ Clips
- 1 Adjustable Wire Everwhite Freezer Compartment Shelf
- 2 Fixed Freezer Door Bins
- Ice Storage Bin
- Interior Freezer Light
- Dual Upfront Temperature Controls
- Bright Fresh Food Upfront Lighting
- Color-Matched Premium Deluxe Door Handles
- Model TNX22PRCWW - White on white
- Model TNX22PRCBB - Black on black
- Model TNX22PRCCC - Bisque