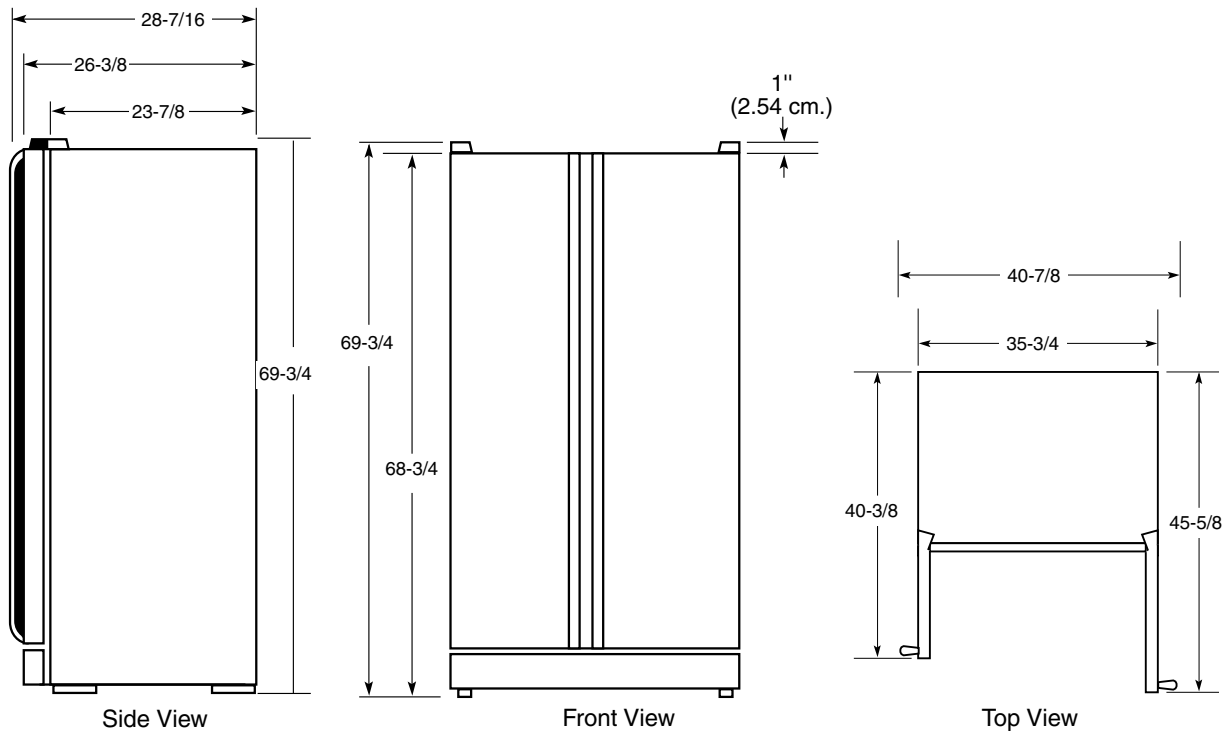




Profile™

## TPX24BRDBB—GE Profile™ 23.7 Cu. Ft. CustomStyle™ Side-by-Side Refrigerator with Dispenser

Case Dimensions (in inches/cm.)



For answers to your Monogram®,  
GE Profile Performance Series™,  
GE Profile™ or GE appliance questions, call  
GE Answer Center® service, 800.626.2000.



Total volume and shelf  
area are calculated by the  
Association of Home  
Appliance Manufacturers'  
standards.



Listed by  
Underwriters  
Laboratories



EnergySmart

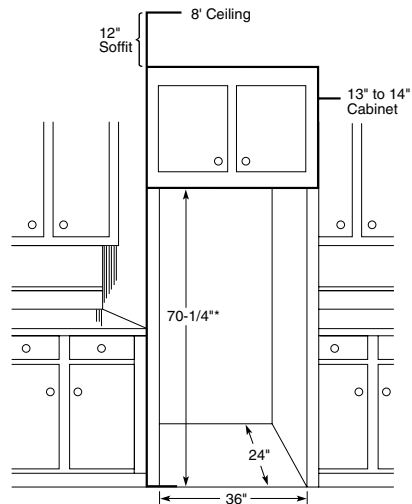
Specification Revised 5/00



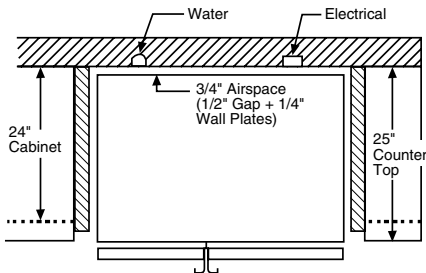
Profile™

# TPX24BRDBB—GE Profile™ 23.7 Cu. Ft. CustomStyle™ Side-by-Side Refrigerator with Dispenser

## Rough-In Dimensions (in inches)



\*The rough-in dimension of 70-1/4" is minimum and is measured from the finished floor to top of opening (or the underside of the overhead cabinets). For Models with Trim Kit, if frameless style cabinets are planned for above the refrigerator, you may need to consider adding a maximum of 1/4" (70-1/2") to height of opening to allow additional clearance between cabinet doors and top of refrigerator trim when cabinet doors are in open position.



## Standard, New Construction and Replacement Installation

### Installation Tips to Maximize the Built-In Look

- All wall/floor moulding should be removed prior to installation.
- Water recess on rear wall recommended to prevent water line damage. 48" minimum length 1/4" diameter water line tubing recommended.
- When possible, recess both water line and electrical outlet. (See local codes)
- Front and rear leveling legs are adjustable for the "Built-In" look. (See owner's manual)
- If optional collar trim kit is to be used or anticipated, see collar trim installation on next page for different rough-in dimensions.

**IMPORTANT:** Before finalizing for your GE Profile Performance™ and GE Profile™ CustomStyle™ Refrigerator, please NOTE:

- A minimum of 36" is required for Refrigerator installation.
- Be sure to allow for 1/2" or 3/4" side panels in addition to the 36" minimum.

## Door Panel Dimensions (in inches)

Order your own custom wood panels to match cabinetry or other decor.

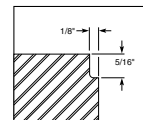
	Fresh Food Panels	Freezer Panel With Dispenser	Freezer Panel Without Dispenser	Weight Limits*
<b>21 cu. ft.</b>	G-65-3/16" H-20-1/16"	C-18-3/4" D-14-5/16"	E-32-3/8" F-14-5/16"	Fresh Food = 38 lbs. Freezer = 28 lbs.
<b>24 cu. ft.</b>	G-67-1/8" H-19-5/16"	C-18-13/16" D-14-1/2"	E-34-5/16" F-14-1/2" A-67-1/8" B-14-1/2"	Fresh Food = 35 lbs. Freezer = 25 lbs.

Panels up to 1/4" thick will fit door frame with no special preparation. Add filler behind material thinner than 1/4" for proper fit.

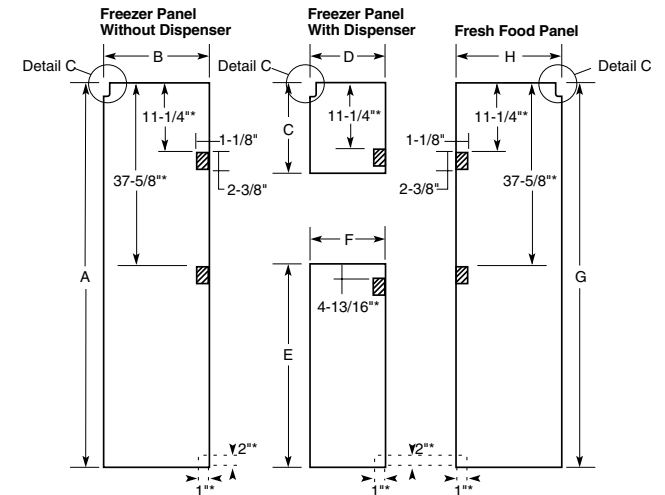
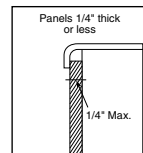
**Note:** Panels up to 3/4" will require special routing area around handles. Dimensions may vary depending on depth of panel.

\*Total weight of panels (i.e. both freezer panels)

### Detail C



(Fresh Food panel shown)  
Notch required at top corner as noted.



\*For 24 cu. ft. models only

For answers to your Monogram®, GE Profile Performance Series™, GE Profile™ or GE appliance questions, call GE Answer Center® service, 800.626.2000.



Total volume and shelf area are calculated by the Association of Home Appliance Manufacturers' standards.



Listed by Underwriters Laboratories

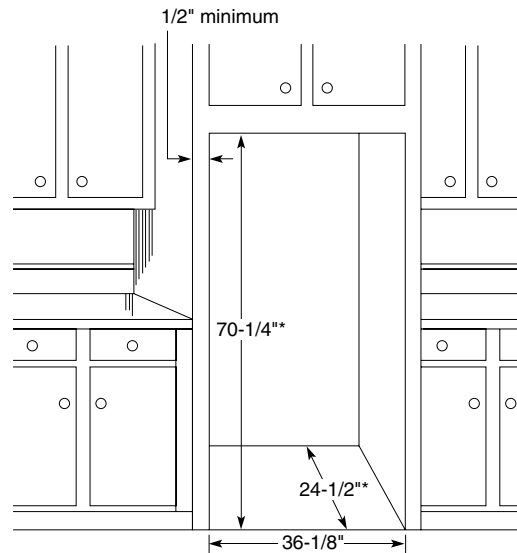




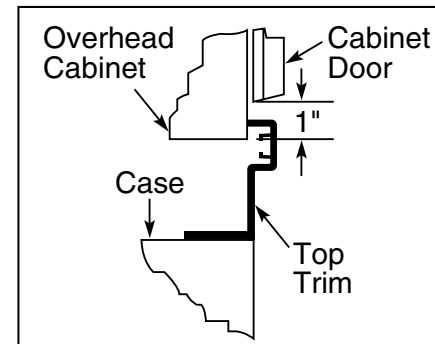
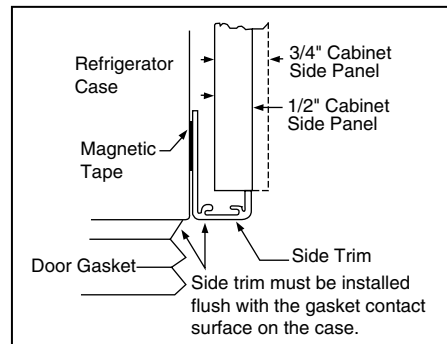
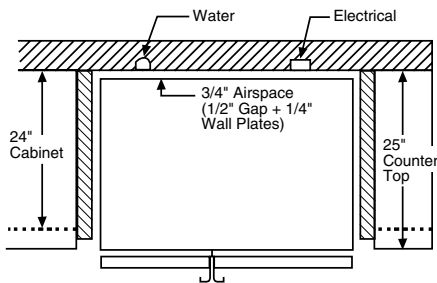
Profile™

# TPX24BRDBB—GE Profile™ 23.7 Cu. Ft. CustomStyle™ Side-by-Side Refrigerator with Dispenser

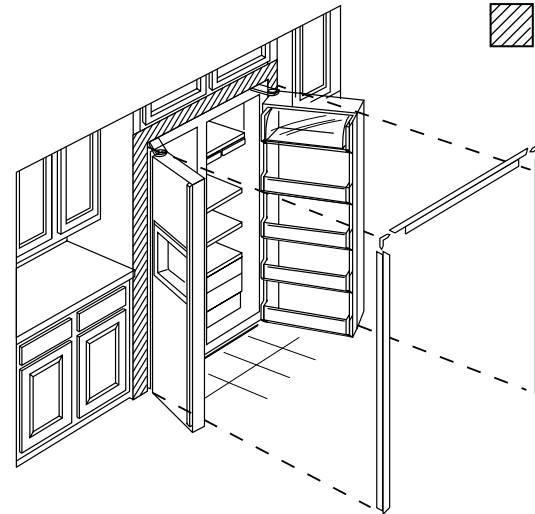
## Collar Trim Installation



\*The rough-in dimension of 70-1/4" is minimum and is measured from the finished floor to top of opening (or the underside of the overhead cabinets). For Models with Trim Kit: If frameless style cabinets are planned for above the refrigerator, you may need to consider adding a maximum of 1/4" (70-1/2") to height of opening to allow additional clearance between cabinet doors and top of refrigerator trim when cabinet doors are in open position.



**Typical Installation**  
Shaded areas represent front surfaces of side panels and overhead cabinet or soffit that contacts trim.



## Collar Trim Installation

An enclosure is **required** to match up to the trim, see Typical Installation. To obtain the most integrated look, the cabinet or soffit above the refrigerator should extend out to the same depth as the side panels. The refrigerator opening must have minimum dimensions of 70-1/4" high x 36-1/8" wide x 24-1/2"\* deep as shown at right. If there is an overhead cabinet, allow 1" for cabinet door clearance with the top trim piece so the cabinet doors can be opened without hitting the top trim. If 1/2" side panels are used, then side trim and panel will be even. If 3/4" side panels are used, then some of the side panel will extend beyond the trim and must be finished.

\*24-1/2" Depth applies to the refrigerator opening, not the actual cabinet depth.

**IMPORTANT:** Before finalizing for your GE Profile Performance™ and GE Profile™ CustomStyle™ Refrigerator, please NOTE:

- A minimum of 36-1/8" is required for Refrigerator installation.
- Be sure to allow for 1/2" or 3/4" side panels in addition to the 36-1/8" minimum.

Specification Revised 5/00



Total volume and shelf area are calculated by the Association of Home Appliance Manufacturers' standards.



Listed by Underwriters Laboratories



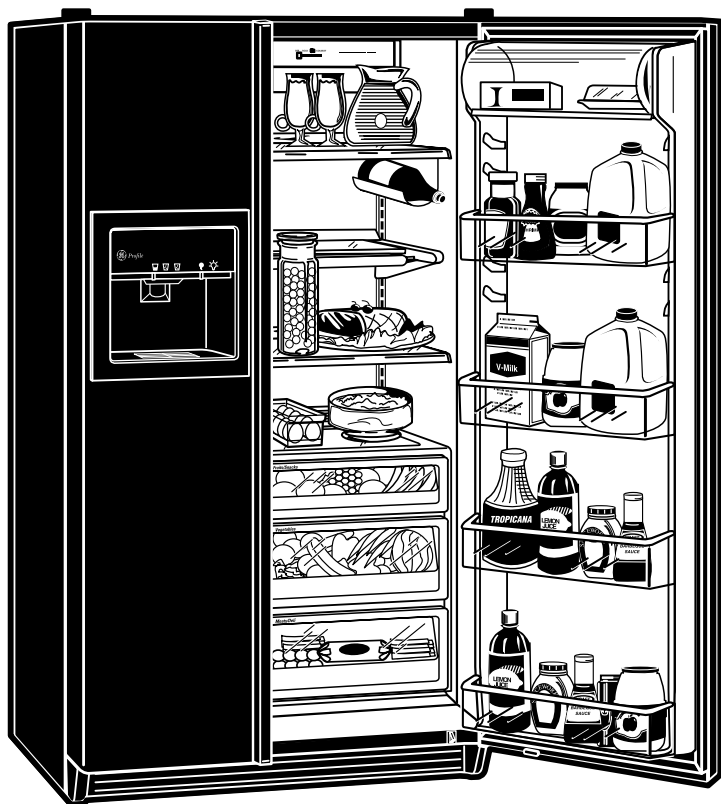
EnergySmart

C US



Profile™

## TPX24BRDBB—GE Profile™ 23.7 Cu. Ft. CustomStyle™ Side-by-Side Refrigerator with Dispenser



### Features and Benefits

- 23.7 cu ft Capacity (Fresh Food 14.48 cu ft / Freezer 9.25 cu ft)
- LightTouch! Dispenser Delivers Chilled Water, Cubed and Crushed Ice through the Door
- Freshness Center™ (1 Adjustable Humidity Crisper, 1 Convertible Meat Keeper with Cold Control and 1 Adjustable Humidity Snack Pan) with Spill-Proof Cover
- 3 Adjustable Glass Fresh Food Cabinet Shelves (2 Slide Out, Spill Proof)
- Quick Space™ Shelf
- ShelfSaver™
- 4 ClearLook™ Modular Fresh Food Door Shelves (2 Adjustable with Gallon Storage)
- Beverage Rack
- Dairy Compartment with Glass Butter Dish
- Egg Bin
- 3 Cantilevered Freezer Shelves (2 Adjustable)
- 1 Wire Everwhite, Slide Out Freezer Basket
- 1 Sliding Wire Everwhite Freezer Storage bin
- 4 Freezer Door Shelves (2 Adjustable)
- Quiet Package II
- Color-Matched Full-Length Door Handles
- Model TPX24BRDWW—White on White
- Model TPX24BRDBB—Black on Black
- Model TPX24BRDAA—Almond on Almond