



**FEATURES & BENEFITS**

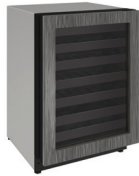
<b>PERFORMANCE</b>	<ul style="list-style-type: none"> <li>• Volume of 4.7 cu ft holds up to 43 wine bottles (750 ml)</li> <li>• Digital Touch Pad Control is conveniently located on upper face of unit</li> <li>• Temperature range: 38°F - 65°F</li> <li>• Convection cooling system</li> <li>• Rubber mounted compressor virtually eliminates vibration</li> </ul>
<b>INTERIOR/EXTERIOR</b>	<ul style="list-style-type: none"> <li>• Black interior is illuminated with LED lighting that automatically turns off when the door is closed, or can be set to stay on for 3 hours</li> <li>• Full extension black coated wine racks allow for easy access</li> <li>• Wine racks accommodate a variety of bottle shapes and sizes, while fourth and fifth racks allow for larger diameter wine and champagne bottles</li> <li>• LowE coated, argon gas filled, triple thermopane glass door provides protection from harmful UV Light</li> <li>• Stainless steel handle (7/8" diameter)</li> <li>• The door swing on non-lock models is field reversible, and is shipped right-hand hinged</li> <li>• Lock models must be ordered right-hand or left-hand hinged</li> <li>• Designed to be built-in (galvanized exterior cabinet)</li> </ul>
<b>INTEGRATION</b>	<ul style="list-style-type: none"> <li>• Robust, concealed and covered hinges with built-in door stop and closer</li> <li>• Integrated model requires 3/4" custom panel of your choice, or can accept U-Line Handleless Stainless Panel Accessory (must be ordered separately)</li> <li>• Fixed grille can accept an integrated toe-kick</li> <li>• Four independently adjustable leveling legs provide a precise undercounter fit</li> </ul>



STAINLESS FRAME



STAINLESS FRAME (LOCK)



INTEGRATED FRAME



INTEGRATED FRAME (STAINLESS HANDLELESS PANEL)\*



INTEGRATED SOLID



INTEGRATED SOLID (STAINLESS HANDLELESS PANEL)\*

**MODEL DETAILS**

Model	Voltage/Hz	Door Swing	Finish	Shipping Weight
U-2224WCS-00A	115 / 60	Field Reversible	Stainless Frame	160 lb
U-2224WCS-13A	115 / 60	Right-Hand Hinged	Stainless Frame (Lock)	160 lb
U-2224WCS-15A	115 / 60	Left-Hand Hinged	Stainless Frame (Lock)	160 lb
U-2224WCINT-00A	115 / 60	Field Reversible	Integrated Frame	157 lb
U-2224WCINT-60A	115 / 60	Field Reversible	Integrated Solid	150 lb

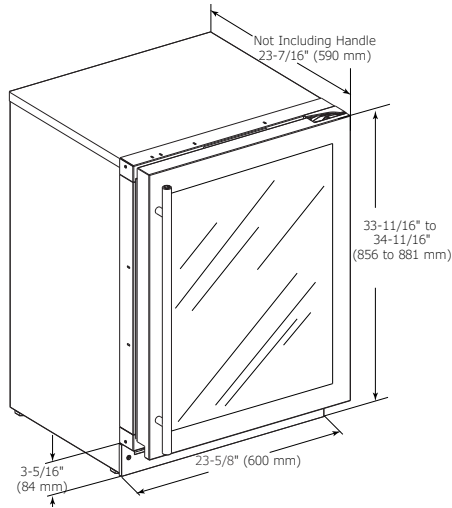
**ACCESSORIES**

Model	Description	Finish	Shipping Weight
ULASHP24FRAME*	Stainless Handleless Panel Frame	Stainless	8 lb
ULASHP24SOLID*	Stainless Handleless Panel Solid	Stainless	12 lb

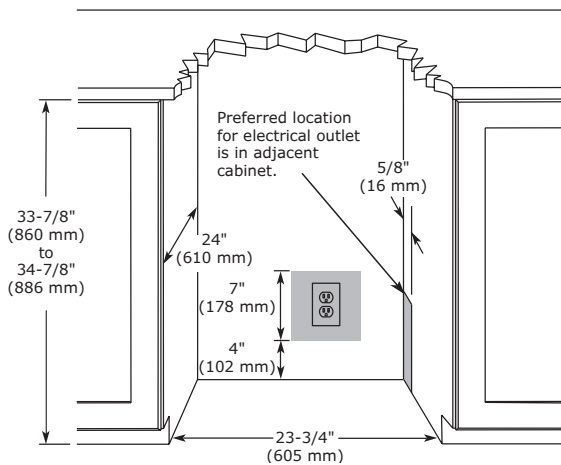
\*Installs on integrated models.

### DIMENSIONS

Dimensions shown apply to all finishes, including Integrated (INT) models with 3/4" integrated panel/frame installed.



### CABINET CUT-OUT



### INSTALLATION NOTES

- When installing adjacent to wall, ensure 2 1/2" clearance on hinged side for 90° door opening, allowing ample room for door handle.
- No additional clearance around sides, top or rear of unit is needed for ventilation.
- Do not obstruct front grille air flow.

### WARRANTY

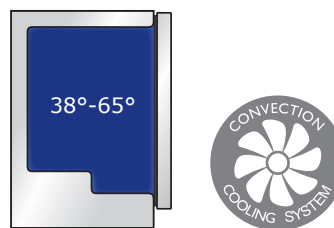
- 1 Year (parts & labor) / 5 year sealed system (parts)
- + **Additional 1 Year (parts & labor) warranty at no cost with product registration**

See complete warranty for details

### SPECIFICATIONS

Model	2224WC
Amps: Running	1.2
Capacity: Average Volume (cu ft)	4.7
Capacity: Wine Bottle (750 ml)	43
Control Type	Digital Touch Pad
Dimensions: Product Depth	23 7/16" / 590 mm
Dimensions: Product Height	33 11/16" / 856 mm
Dimensions: Product Width	23 5/8" / 600 mm
Energy Consumption: Avg. Per Year	85 kWh
ENERGY STAR	N/A
Panel Height	30" / 762 mm
Panel Thickness	3/4" / 20 mm
Panel Type	2 3/4" / 70 mm Frame Panel or Solid Panel (-60 suffix)
Panel Width	23 1/2" / 595 mm
Product Weight: Max	150 lb
Refrigerant Type	R600a (1.06 oz)
Sabbath (Star K Certified)	Yes
Temperature Range	38°F - 65°F

### COOLING SYSTEM



### ELECTRICAL REQUIREMENTS

This unit requires a grounded, polarized 115 VAC, 60 Hz, 15 A power supply (normal household current).

