

Blast Chillers/Shock Freezers

CBF432: 5 Tray Blast Chiller/Shock Freezer, Reach-In

CBF532: 10 Tray Blast Chiller/Shock Freezer, Reach-In

CBF632: 15 Tray Blast Chiller/Shock Freezer, Reach-In



CBF432



CBF532



CBF632

Features and Specifications

CBF432 capacity: (5) 18" x 26" sheet pans or (2) 12" x 20" x 2 1/2" H steam table pans

CBF532 capacity: (10) 18" x 26" sheet pans or (5) 12" x 20" x 2 1/2" H steam table pans

CBF632 capacity: (15) 18" x 26" sheet pans or (7) 12" x 20" x 2 1/2" H steam table pans

AISI 304 Stainless steel interior and exterior, ETL sanitation certified

Operating temperature range: -40°F to 50°F

CBF432 blast chilling yield (194°F to 37°F in 90 min): 44.09 lb

CBF432 shock freezing yield (194°F to 0°F in 270 min): 26.46 lb

CBF532 blast chilling yield (194°F to 37°F in 90 min): 77.16 lb

CBF532 shock freezing yield (194°F to 0°F in 270 min): 55.11 lb

CBF632 blast chilling yield (194°F to 37°F in 90 min): 143.3 lb

CBF632 shock freezing yield (194°F to 0°F in 270 min): 110.23 lb

7" digital touch screen control with HACCP data tracker and alarms. Cycles include soft chill, hard chill, soft freeze, hard freeze, thawing, holding, and end of cycle hold mode.

Autodefrost

Multi-core probe with 4 reading points

High efficiency compressor, bottom mount

Self-lubricating, sealed cast iron evaporator fan motor with high volume air flow design

Interior rounded corners, removable door gasket, interior side racks, and evaporator compartment for easy cleaning

CFC-free high-density polyurethane insulated cabinet

Factory pre-wired dedicated outlet with cord, CBF432: NEMA 5-20P plug included, CBF532 & CBF632: NEMA L15-30P plug recommended (not included)

CBF432: 6400 BTU/h / 1.6 HP

CBF532: 11000 BTU/h / 2.75 HP

CBF632: 8000 BTU/h / 2 HP

Environmentally friendly R452A refrigerant

CBF432: 35.3 oz (1.0 kg)

CBF532: 70.5 oz (2.0 kg)

CBF632: 88.2 oz (2.5 kg)

Self-closing door with 105° stop

CBF432 dimensions: 33 15/32" H x 31 1/2" W x 31 11/16" D

CBF532 dimensions: 64 11/32" H x 31 1/2" W x 32 7/8" D

CBF632 dimensions: 77 5/16" H x 31 1/2" W x 32 7/8" D

4 casters included (2 locking)

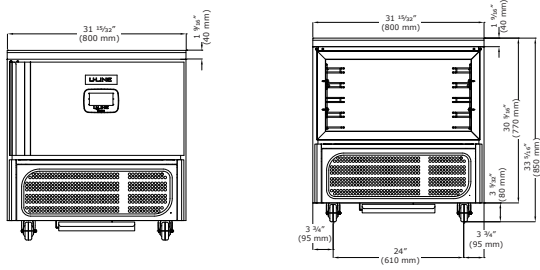
Model Details

Model	Description	Voltage/Hz/Phase/ Amps	Shipping Weight
UCBF432-SS11A	5 Tray Blast Chiller/Shock Freezer, Reach-In, Right Hand Hinge	115v / 60 hz / 1 / 11 (20 amp)	287 lb
UCBF532-SS12A	10 Tray Blast Chiller/Shock Freezer, Reach-In Right Hand Hinge	230v / 60 hz / 3 / 10	463 lb
UCBF632-SS12A	15 Tray Blast Chiller/Shock Freezer, Reach-In, Right Hand Hinge	230v / 60 hz / 3 / 16	541 lb

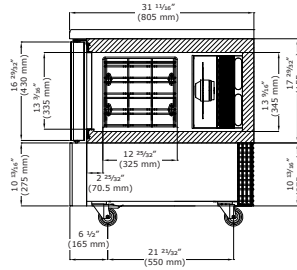


Product Specifications • Blast Chillers/Shock Freezers

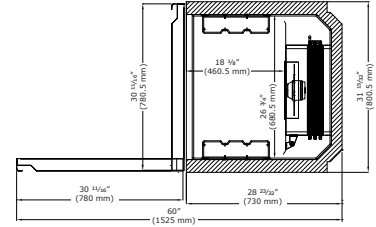
Front (CBF432) Interior



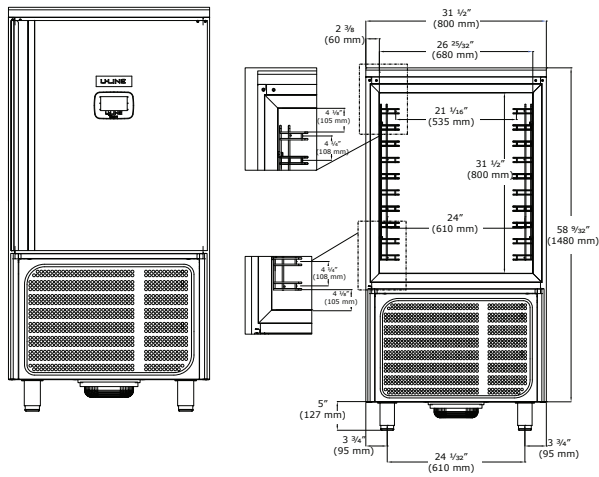
Side



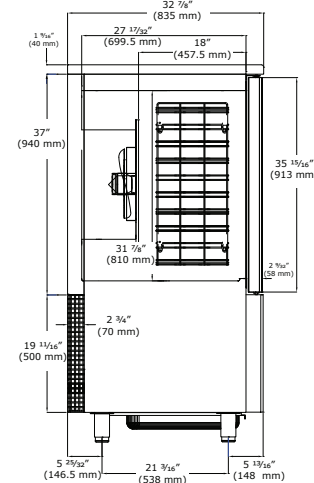
Top



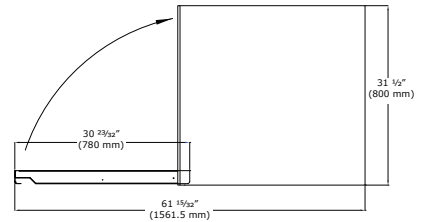
Front (CBF532) Interior



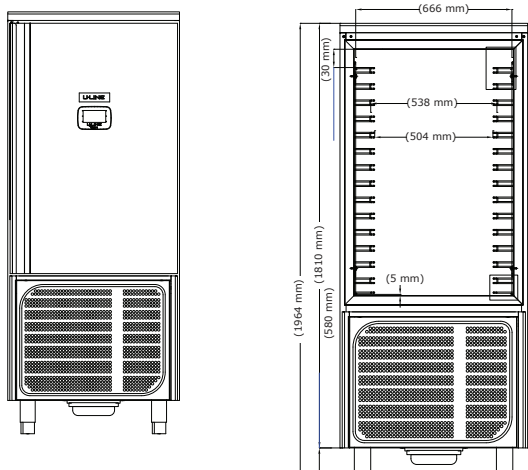
Side



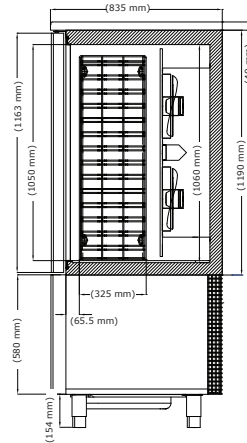
Top



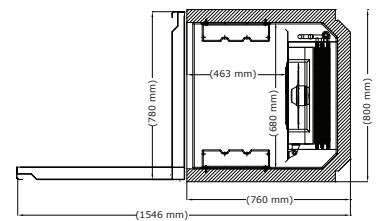
Front (CBF632) Interior



Side



Top



Note: Clearance of 11 13/16" in the back and 19 43/64" on sides & top is required for proper ventilation.

Commercial Warranty

1 Year (parts & labor) / 5 year sealed system (parts)

See complete warranty for details

*All tests completed using 2" thick food products



Intertek