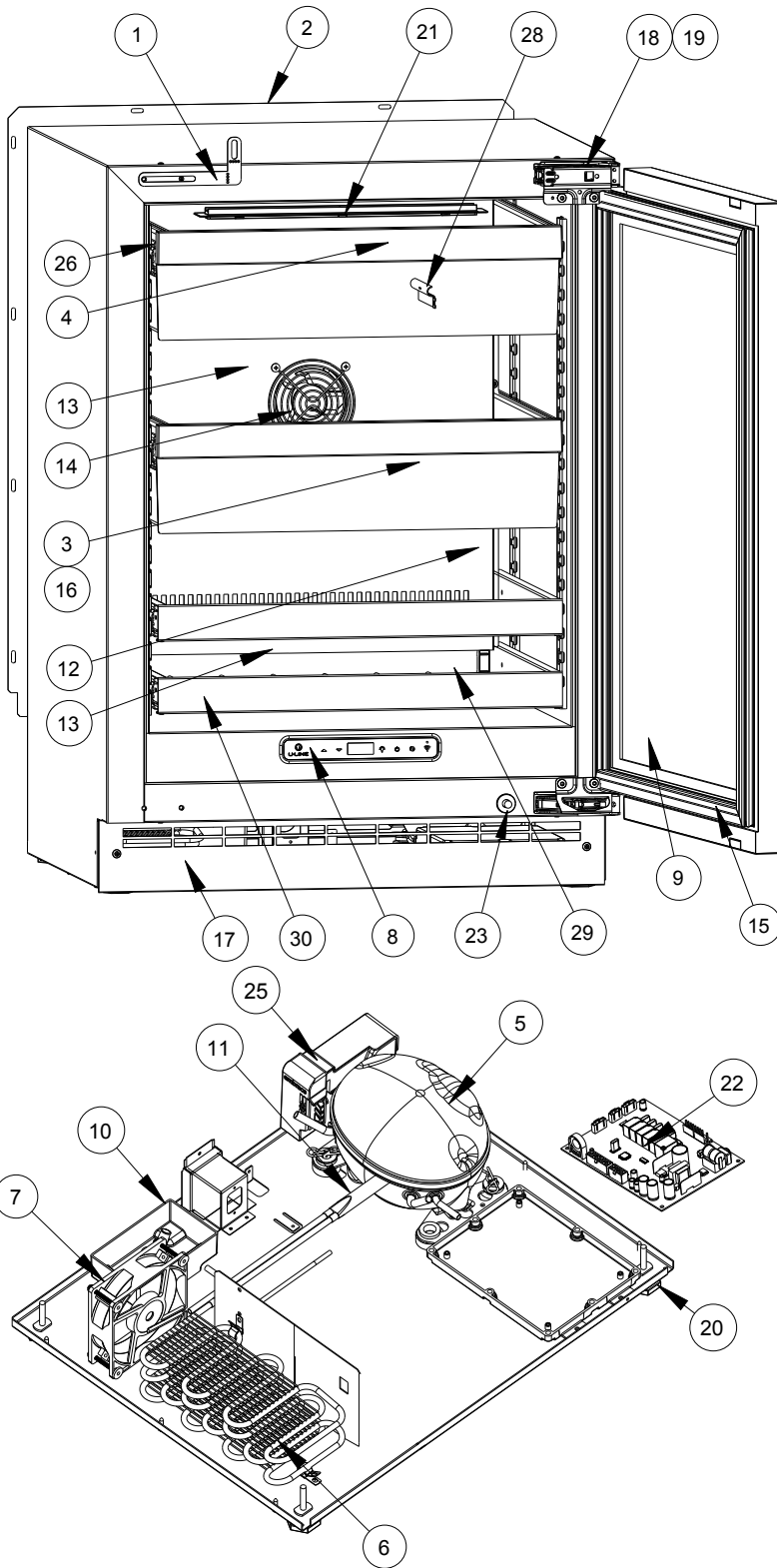


# USER GUIDE

## Parts



| UHBV524-IS01A |                        |             |
|---------------|------------------------|-------------|
| 1             | ANTI-TIP BRACKET       | 80-55449-00 |
| 2             | BACK PANEL             | 80-55481-00 |
| 3             | STORAGE BIN            | 80-54059-00 |
| 4             | BIN FRONT              | 80-55482-00 |
| 5             | COMPRESSOR             | 80-55452-00 |
| 6             | CONDENSER ASSEMBLY     | 80-55453-00 |
| 7             | CONDENSER FAN MOTOR    | 80-54014-00 |
| 8             | DISPLAY MODULE         | 80-55429-00 |
| 9             | DOOR ASSEMBLY          | 80-55489-00 |
| 10            | DRAIN PAN              | 80-54217-00 |
| 11            | DRIER                  | 80-54055-00 |
| 12            | EVAPORATOR ASSEMBLY    | 80-55486-00 |
| 13            | EVAPORATOR COVER       | 80-55485-00 |
| 14            | EVAPORATOR FAN W/COVER | 80-55457-00 |
| 15            | GASKET, DOOR           | 80-54039-00 |
| 16            | GLASS SHELF            | 80-55460-00 |
| 17            | GRILLE                 | 80-55487-00 |
| 18            | HINGE ASSEMBLY         | 80-55374-00 |
| 19            | HINGE COVER (2)        | 80-54001-00 |
| 20            | LEG LEVELERS (4)       | 80-54019-00 |
| 21            | LED LIGHT, 2 COLOR     | 80-55272-00 |
| 22            | MAIN BOARD             | 80-55398-00 |
| 23            | PLUNGER SWITCH         | 80-55375-00 |
| 24            | POWER CORD*            | 80-55462-00 |
| 25            | SERIAL INVERTER        | 80-55570-00 |
| 26            | SLIDE ASSEMBLY         | 80-55509-00 |
| 27            | THERMISTOR*            | 80-54006-00 |
| 28            | THERMISTOR COVER       | 80-55464-00 |
| 29            | WINE RACK              | 80-55488-00 |
| 30            | WINE RACK FRONT        | 80-55502-00 |
| 31            | WIRE HARNESS, BOARD*   | 80-55466-00 |

\*Not Pictured