

VALIANCE®

by



HOSHIZAKI

Parts List

VF2A-FS

TABLE OF CONTENTS

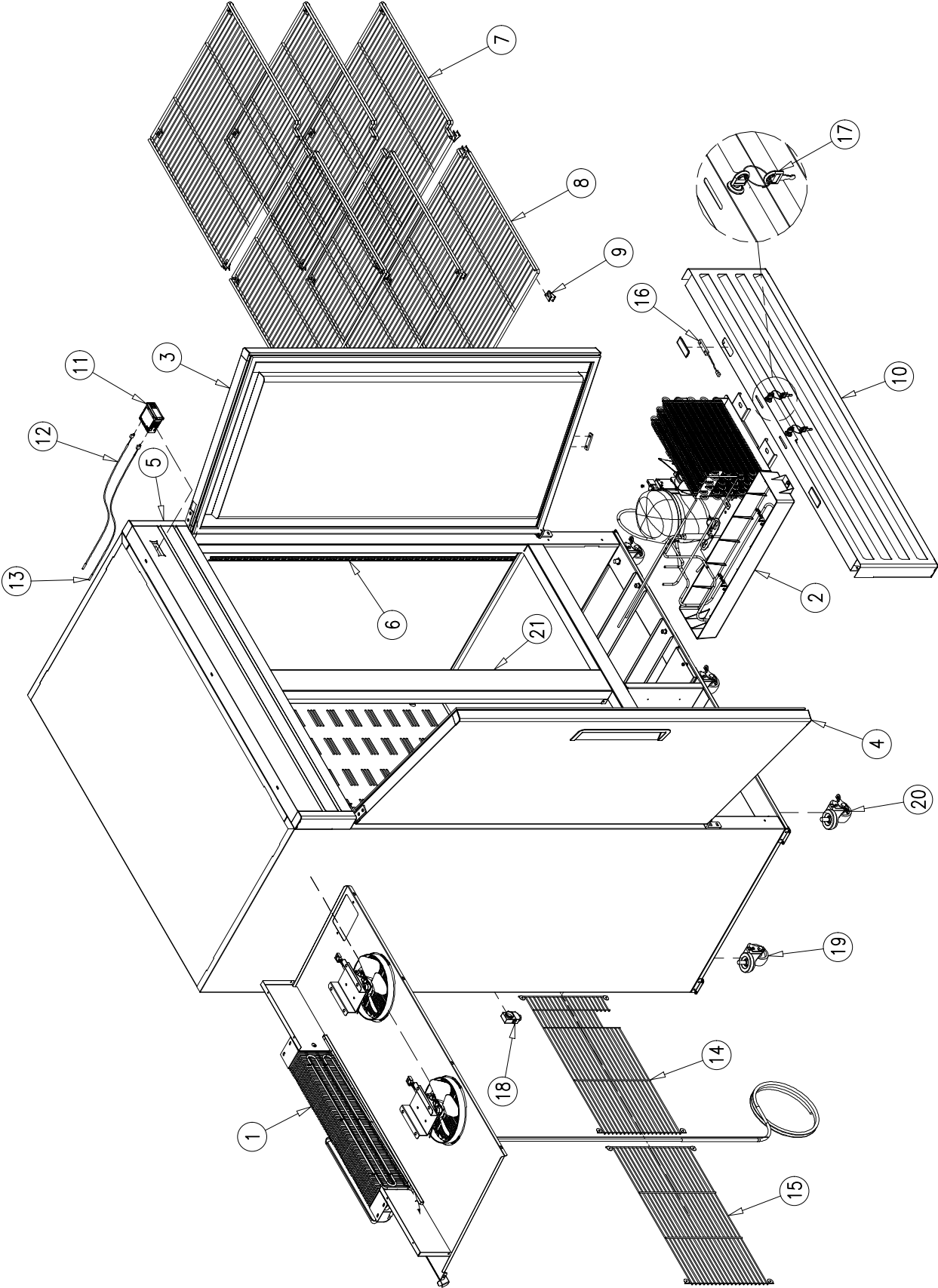
MAIN ASSEMBLY	3
EVAPORATOR ASSEMBLY	5
CONDENSING UNIT ASSEMBLY	7
DOOR ASSEMBLY	9
LIGHTING SYSTEM	11

NOTE:

To order spare parts, always include the following information:

- *Model Number* _____
- *Serial Number* _____

MAIN ASSEMBLY



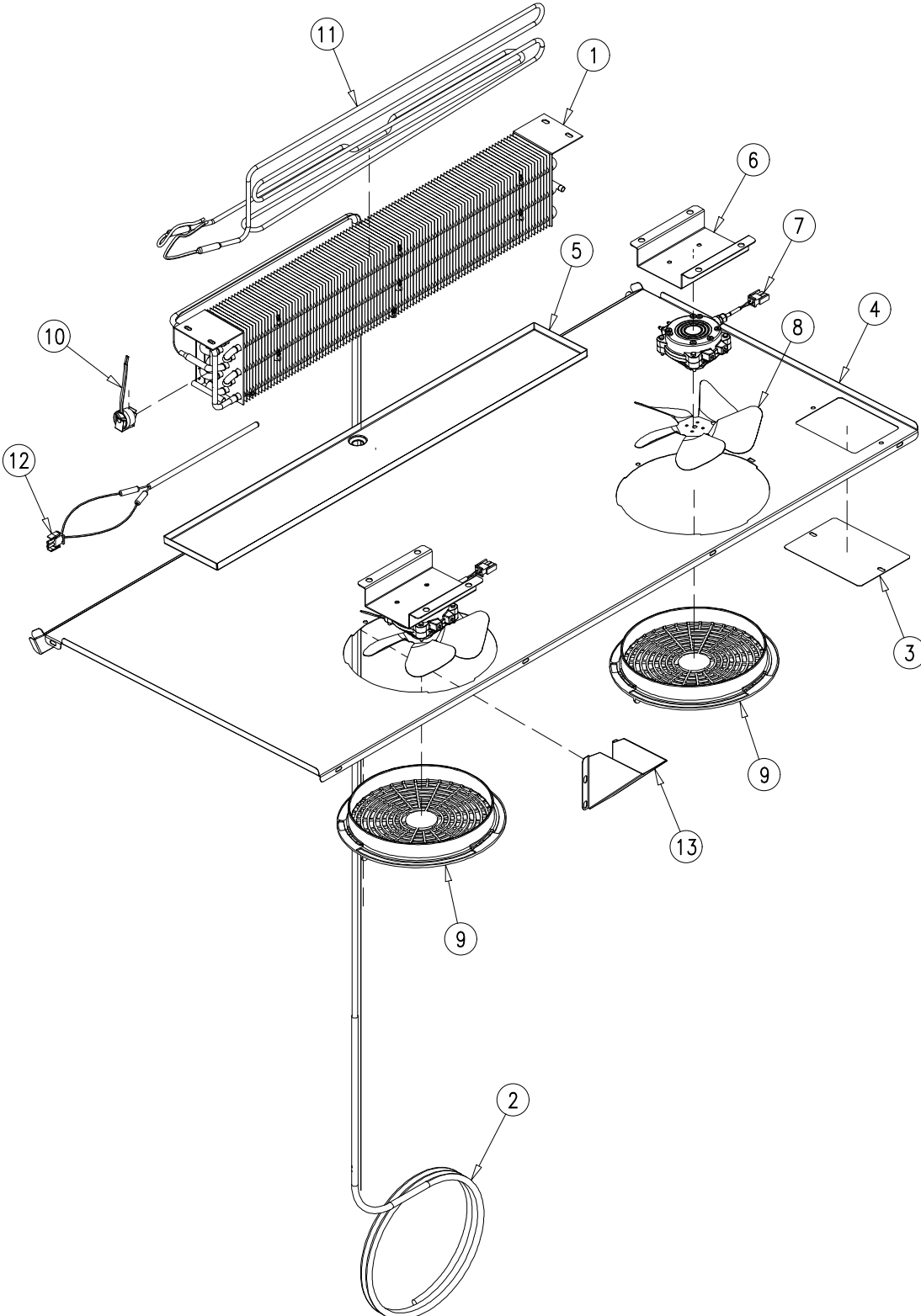
VF2A-FS

MAIN ASSEMBLY

<i>Item No.</i>	<i>Description</i>	<i>Part No.</i>	<i>Quantity per cooler</i>
1	EVAPORATOR ASSEMBLY	OT-EV-0215	1
2	CONDENSING UNIT ASSEMBLY	OT-UN-0545	1
3	RIGHT DOOR ASSEMBLY	OT-PTA-0422-R	1
4	LEFT DOOR ASSEMBLY	OT-PTA-0422-L	1
5	HEADER SIGN	OT-RT-0495	1
6	PILASTER 48"	PI-74-48	8
7	RIGHT FLAT SHELF	SH-0626-D-HD-GR	3
8	LEFT FLAT SHELF	SH-0626-I-HD-GR	3
9	SHELF CLIPS	CL-51-SS-E	24
10	FRONT GRILL	OT-CM-0657	1
11	CONTROL MODULE	CT-209-CO-385-K*	1
12	CABINET THERMISTOR	CT-207-BK	1
13	DEFROST THERMISTOR	CT-207-WH	1
14	RIGHT BACK GRILL	SH-0562-G-GR	1
15	LEFT BACK GRILL	SH-0563-G-GR	1
16	DOOR SWITCH	EL-306	2
17	LOCK AND KEY SET	HA-471-G-K	2
18	PRESSURE RELIEF VALVE	VA-110	1
19	BACK NON-LOCKING CASTER	CA-4	3
20	FRONT LOCKING CASTER	CA-4-BR	3
21	MULLION	MULLION-0161	1

* THE PART NUMBER CT-209-CO-385-K INCLUDES:
CONTROL MODULE CT-209-CO-385
CABINET THERMISTOR CT-207-BK
DEFROST THERMISTOR CT-207-WH

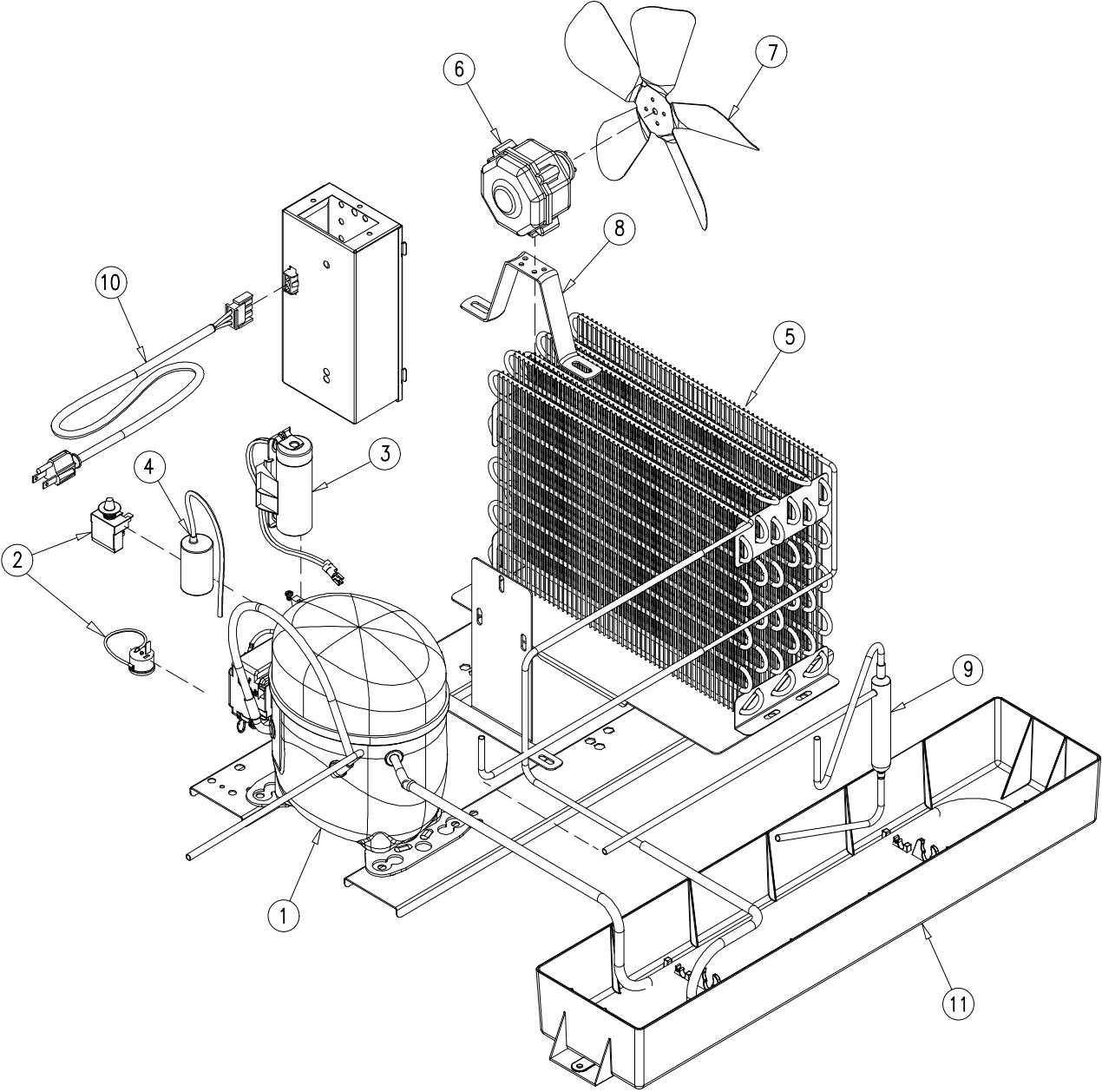
EVAPORATOR ASSEMBLY



EVAPORATOR ASSEMBLY

<i>Item No.</i>	<i>Description</i>	<i>Part No.</i>	<i>Quantity per cooler</i>
1	EVAPORATOR	CO-469-EC	1
2	HEAT EXCHANGER	TUB-1152	1
3	SHROUD COVER	OT-10442	1
4	SHROUD	OT-26954	1
5	EVAPORATOR DRAIN PAN	OT-26957	1
6	EVAPORATOR FAN MOTOR BRACKET	OT-26961	2
7	EVAPORATOR FAN MOTOR	FA-124-SW-0396	2
8	EVAPORATOR FAN BLADE	FA-17-EBM	2
9	FAN GUARD	FA-123-B-GR	2
10	DEFROST SAFETY THERMOSTAT	OT-CT-11-R-EM	1
11	DEFROST HEATER	EL-240-D-469	1
12	DRAIN HEATER	EL-851-V1	1
13	DRAIN HOSE COVER	OT-26893	1

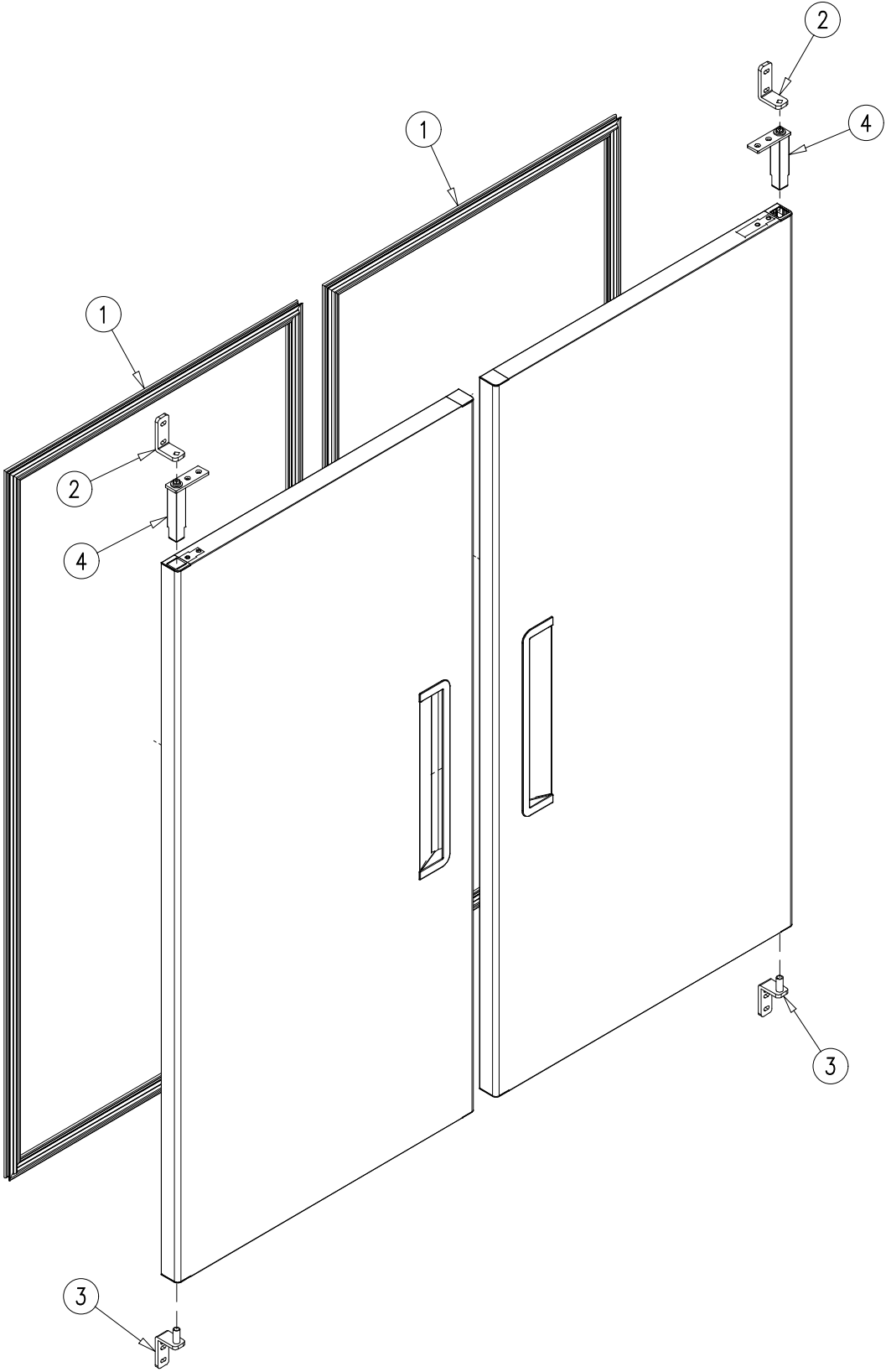
CONDENSING UNIT ASSEMBLY



CONDENSING UNIT ASSEMBLY

<i>Item No.</i>	<i>Description</i>	<i>Part No.</i>	<i>Quantity per cooler</i>
1	COMPRESSOR (1/2HP 115-127V/60HZ R-290)	NPT16LR	1
2	EXTERNAL PROTECTOR (T0534) & PTC RELAY (2014 191)	EL-2193-R	1
3	START CAPACITOR (200 μ F 160V)	CAP-200-160	1
4	RUN CAPACITOR (30 μ F 250V)	CAP-30-250	1
5	CONDENSER	CO-454-L	1
6	CONDENSER FAN MOTOR	FA-122-SW-35-0396	1
7	CONDENSER FAN BLADE	FA-11-WE	1
8	CONDENSER FAN MOTOR BRACKET	FA-18	1
9	DRIER	DR-31-2	1
10	POWER CORD (9 ft)	EL-1260-9	1
11	OVERFLOW DRAIN PAN	OT-IN-0032	1

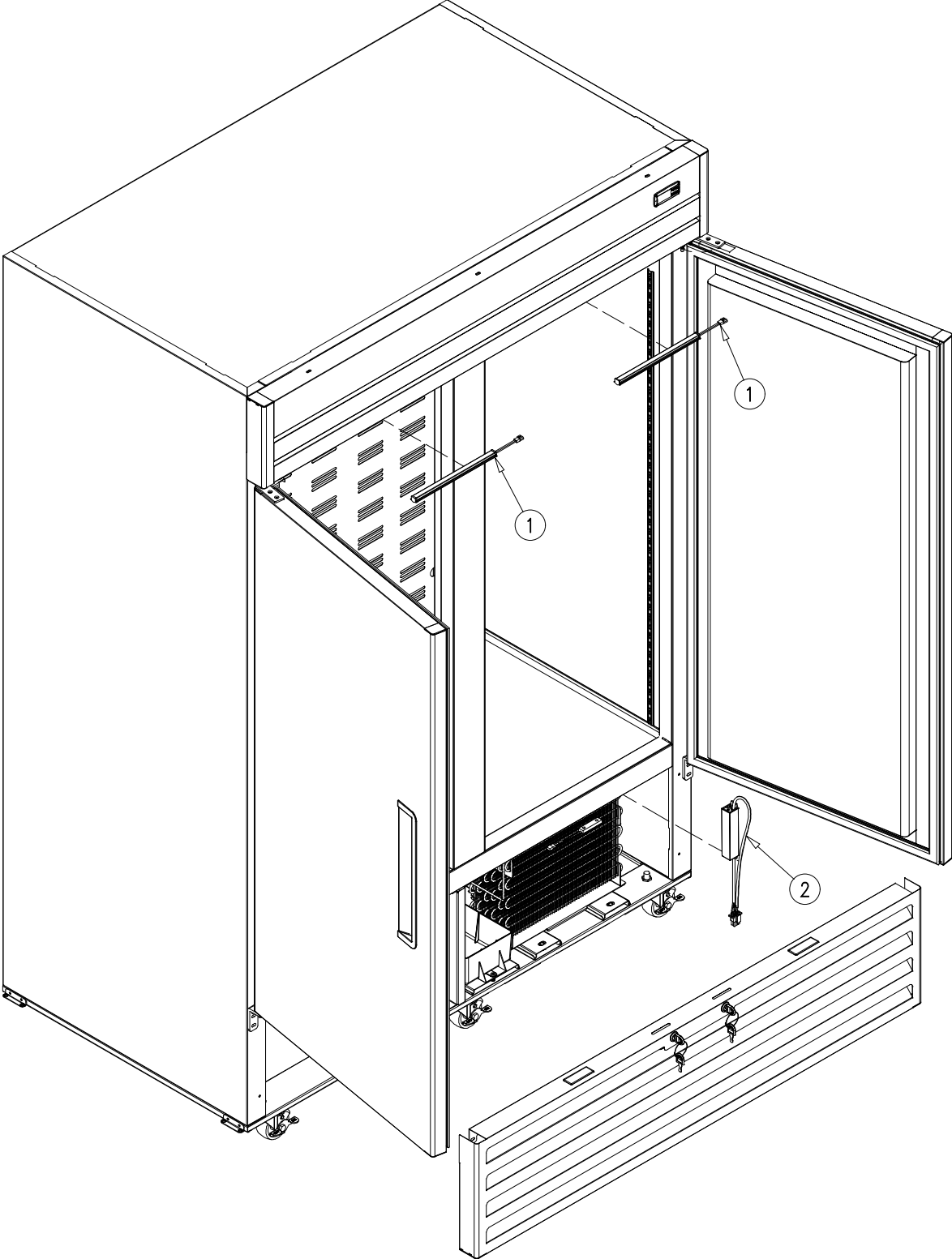
DOOR ASSEMBLY



DOOR ASSEMBLY

<i>Item No.</i>	<i>Description</i>	<i>Part No.</i>	<i>Quantity per cooler</i>
1	MAGNETIC GASKET	OT-GA-500-PTA-0422	2
2	UPPER HINGE ASSEMBLY	HA-686-K	2
3	LOWER HINGE ASSEMBLY	HA-536-R-K	2
4	TORSION MECHANISM	HA-612	2

LIGHTING SYSTEM



LIGHTING SYSTEM

<i>Item No.</i>	<i>Description</i>	<i>Part No.</i>	<i>Quantity per cooler</i>
1	LED LAMP STRIP (9 3/4")	EL-145	2
2	LED DRIVER (1.25 Amp.)	OT-EL-151-T	1