



# 5 SERIES WALL HOODS – 10” HIGH

Viking 5 Series – VWH

## APPEARANCE AND DESIGN

- Heavy-duty construction; professional-type size, construction, design, and styling
- Virtually seamless design with no visible screws
- Halogen lights for better visibility and efficiency
  - Dimmer on lights allows custom lighting – separate on/off switch allows consumer to leave dimmer at favorite position
- Heat sensor turns ventilator on full power when cooking temperatures reach uncomfortable levels
- Allows replacement of most older, low-performance hoods with minimal cabinet alteration
- 460 CFM interior-power ventilator comes standard with product and quietly delivers powerful smoke and odor removal
- Recommended for use with 30” wide ranges, rangetops, and cooktops, and 36” wide non-griddle ranges, rangetops, and cooktops. For larger equipment, use 18” high wall hood



## EASY MAINTENANCE AND CLEANUP

- Commercial-type baffle filter system efficiently removes grease and heated vapors from the air; especially designed for use with commercial-type products
- Dishwasher-safe filters are easily removed for quick cleaning
- Design of low-profile filter system means less interior hood space to be cleaned
- Interior of rangehood canopy has stainless steel liner for increased rigidity, seamless appearance, and easy cleaning

## MODEL NUMBERS

- VWH3010 – 10” H./ 30”W. Wall Hood - 460 CFM Ventilator
- VWH3610 – 10” H./ 36”W. Wall Hood - 460 CFM Ventilator
- VWH3010L – 10” H./ 30”W. Wall Hood - 390 CFM Ventilator
- VWH3610L – 10” H./ 36”W. Wall Hood - 390 CFM Ventilator
- VWH3010M – 10” H./ 30”W. Wall Hood - 300 CFM Ventilator
- VWH3610M – 10” H./ 36”W. Wall Hood - 300 CFM Ventilator

## ACCESSORIES

- VRK30SS – Recirculating Hood Conversion Kit for 30” Hood
- VRK36SS – Recirculating Hood Conversion Kit for 36” Hood
- CFV13 – Replacement Charcoal Filter for VRK
- WGP30SS – Wall Hood Warming Shelf Panels for 30” Hood
- WGP36SS – Wall Hood Warming Shelf Panels for 36” Hood
- BKS30SS – Wall Hood Backsplash for 30” Hood
- BKS36SS – Wall Hood Backsplash for 36” Hood
- DCW30SS – Wall Hood Duct Cover for 30” Hood
- DCW36SS – Wall Hood Duct Cover for 36” Hood

## COLOR FINISHES

- Stainless Steel (SS)
- Available in 18 Exclusive Color Finishes: Antique Bronze (AN), Blush (BH), Cast Black (CS), Daffodil (DA), Damascus Gray (DG), Eucalyptus (EU), Golden Hour (GH), Ivy (IV), Martini (MA), Nantucket (NA), November Sky (NS), Onyx (ON), Pure White (PW), Slate Blue (SB), Spiced Cider (SC), Squall (SQ), Splash (SP), and Valentine (VA)



## WARRANTY

- 2-year full – complete product
- 90-day full – cosmetic parts such as glass, painted items and decorative items
- 5-year limited – ventilator motors



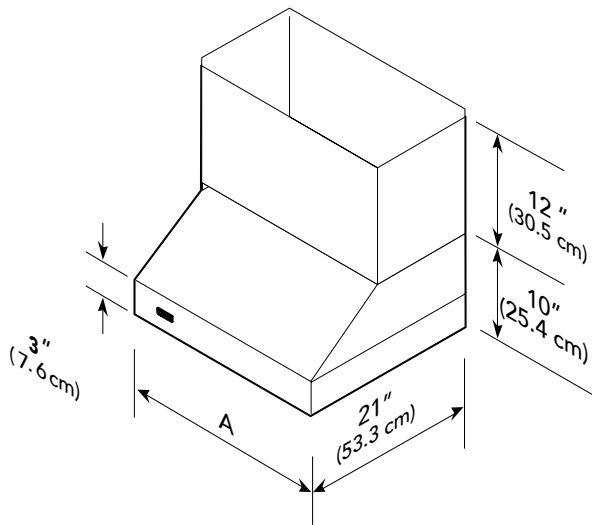
# 5 SERIES WALL HOODS – 10” HIGH

Viking 5 Series – VWH

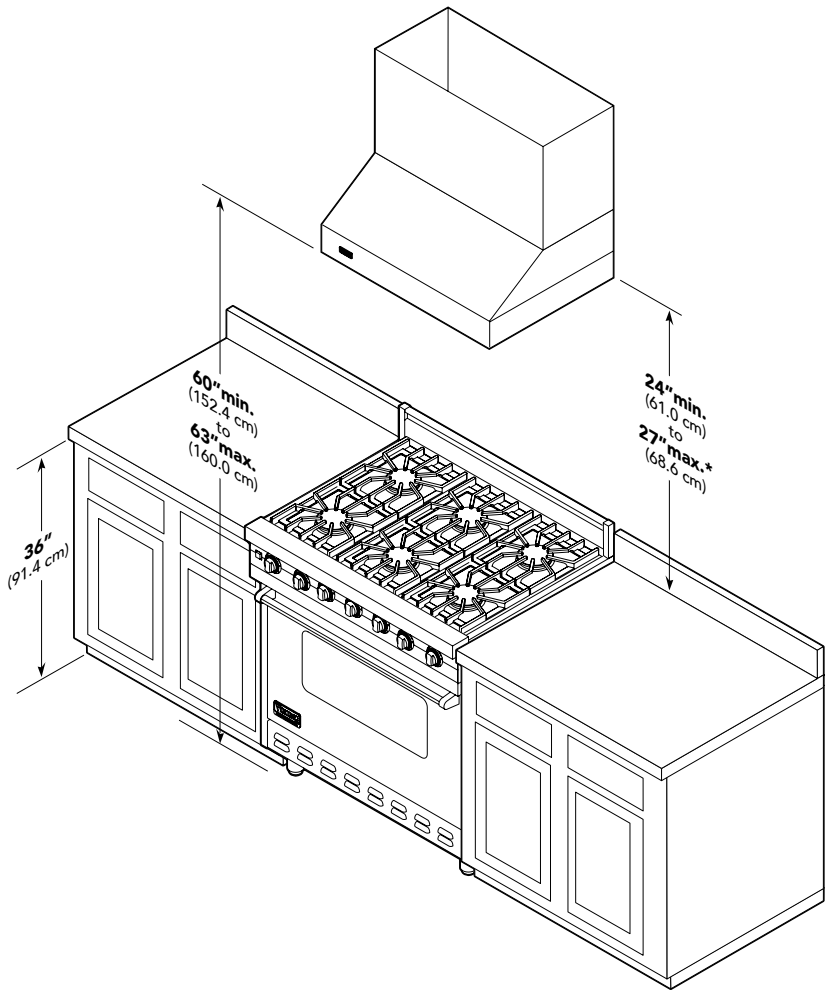
10" WALL HOODS WITH VENTILATOR		
DESCRIPTION	VWH3010	VWH3610
Overall Width	29-7/8" (75.9 cm)	35-7/8" (91.1 cm)
Overall Height	10" (25.4 cm)	
Overall Depth	21" (53.3 cm)	
Interior ventilator kit	Standard 460 CFM / L-390 CFM / M-300 CFM	
Interior duct size**	7" (17.8 cm)	
Interior - Maximum amps	4.9	
Approximate Shipping Weight	56 lbs. (25.2 kg)	60 lbs. (27 kg)

Please do not prepare installation from brochure data only. See installation instructions for important clearance/installation information.

\*\* Disregard when using recirculating kits. 460 CFM blower is shipped with hood. Maximum duct run is 50 ft.



	A (Hood width)
30"W.	29-7/8" (76.2 cm)
36"W.	35-7/8" (91.1 cm)



VIKING RANGE, LLC 111 FRONT STREET GREENWOOD, MISSISSIPPI 38930 USA

For detailed product information, model numbers, or to request a quote call 1-888-845-4641 or visit [vikingrange.com](http://vikingrange.com)

© 2025 Viking Range, LLC All rights reserved. Specifications subject to change without notice.

