



# W6124X.W.U

## Washing machine

### General description

Product: Washing Machine  
Mode of installation: Freestanding  
Spin speed: 1400 rpm  
25 programs  
Color: White



### Programs

- Mix/synthetics
- Wool/hand wash
- Cotton
- Time program
- Jeans
- Universal
- Dark wash
- Bedding
- Auto
- Quick
- Heavy
- Easy care
- Rinse
- Spin
- Drain
- Drum cleaning
- Shirts
- Sanitize
- Sportswear program
- Steam refresh
- Quick Pro
- Stain
- Allergy program Synthetics
- Allergy program Cotton
- Conditioning program
- Normal mode, Green mode, Allergy mode, Speed mode, Intense mode, Night mode

### Options

- Temperature range: Cold-Extra hot
- Spin speed: Adjustable spin speed
- Spin speed: 1400 rpm
- 1-24 hours
- Pre wash
- Anti-crease system
- High water level
- Super Rinse

### Construction

- Door sealing: Steel Seal™ - hygienic door sealing
- Stainless steel tub
- Long lasting stainless steel drum
- Counter weight material: Cast iron
- Counter weight: 44 lbs
- Active Drum™ - maximum cleaning and minimal wear
- Precise temperature control (max deviation +/- 2 F)
- Drum volume: 2.8 cu ft
- Door opening: Left
- Door diameter: 12 3/16" (310 mm)
- Door opening angle: 110 °
- Durable brushless motor
- Pro Wash system - extra effective washing and rinsing

#### Use and flexibility

- Easy close door
  - Door lock: Electronic
  - Liquid detergent insert
  - Active detergent compartment cleaning
  - Drum illumination: Yes
  - Automatic Dosing System: Integrated
  - Dose assist
- 

#### Interaction & control

- Display Type: LCD display
  - Remaining time indicator
  - Audio signal SoftSound
  - 25 programs
- 

#### Design & integration

- Range: Style
  - Color: White
  - Dryer can be mounted on top
  - Loading position: Front
  - Adjustable feet: 3/8" (10 mm)
- 

#### Safety & Maintenance

- Maximized water inlet time
  - PEX inlet hose
  - Anti block drain pump: Anti block drain pump
  - Overflow protection
  - Emergency door opening key easy accessible
  - Lockable control panel
  - Unbalance detection
  - Draining capacity: 20 l/min
  - Overheat protection
  - Thermal and electronic protection against overheating
- 

#### Technical data

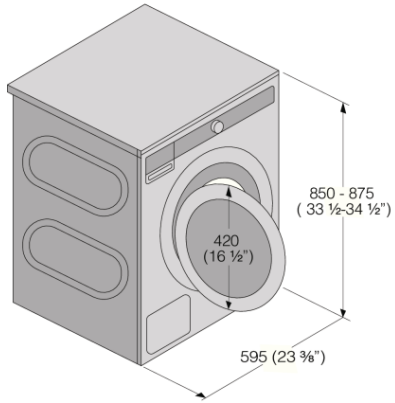
- Connection rating: 2200 W
  - Number of phases: 1
  - Current: 15 A
  - Frequency: 60 Hz
  - Heater capacity (W): 2000 W
  - Net weight: 205 lbs
  - Noise level: 74 dB(A)
  - Noise level washing: 53 dB(A)
  - Water connection: cold and hot
  - ISO 14001
- 

#### Dimensions

- Product dimensions (HxWxD): 33 7/16" × 23 7/16" × 27 9/16" (850 × 595 × 700 mm)
  - Depth with door open: 41 5/8" (1057 mm)
  - Cord length: 78 3/4" (2000 mm)
  - Length of inflow hose: 59 1/16" (1500 mm)
  - Length of outflow hose: 63" (1600 mm)
- 

#### Logistic information

- Packaging dimensions: 36 1/4" × 25 3/16" × 30 9/16" (920 × 640 × 776 mm)
  - Total weight of packaged product: 213 lbs
  - Weight packaging: 7 lbs
  - Code: 578203
  - EAN code: 3838782012785
  - Market: Domestic
  - Range: Style
-



Washing Machine WM-85/USA

