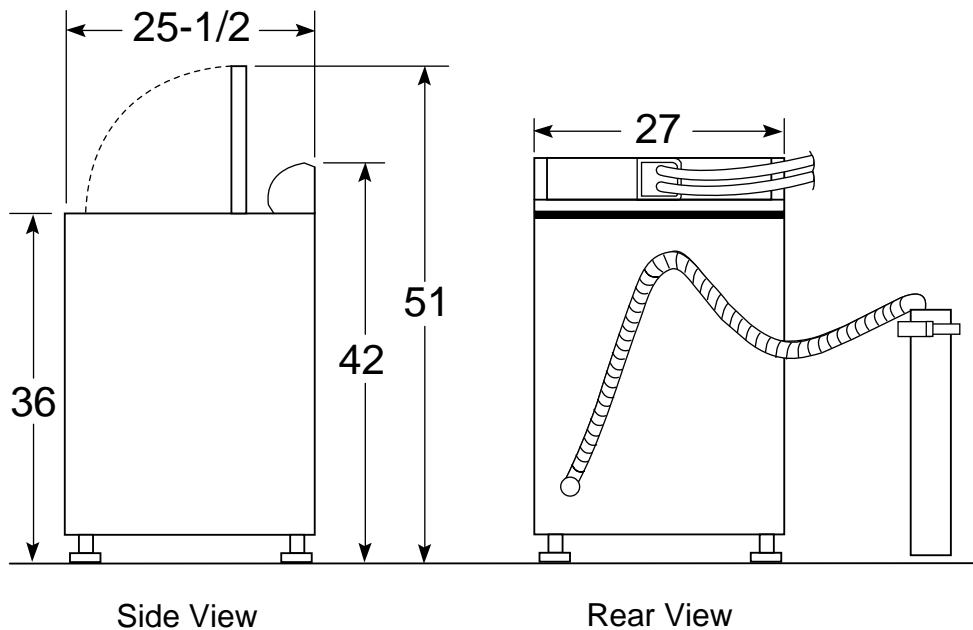




GE Appliances

## WBSE3120BWW/CC—GE Super Plus 3.2 Cu. Ft. Capacity Washer

Dimensions (in inches)



**Circuit Requirements:** An individual, properly-grounded branch circuit, with a three-prong grounding-type receptacle, protected by a 15 or 20 amp circuit breaker or a time-delay fuse, is required.

**Electrical Rating:** 115V, 60Hz, 10A

**Washer Note:** Washer wall outlet must be located within 36" of service cord entry. Wall outlet must not be located behind dryer.

**Installation Information:** For complete information, see installation instructions packed with your washer.

Specification Created 11/01

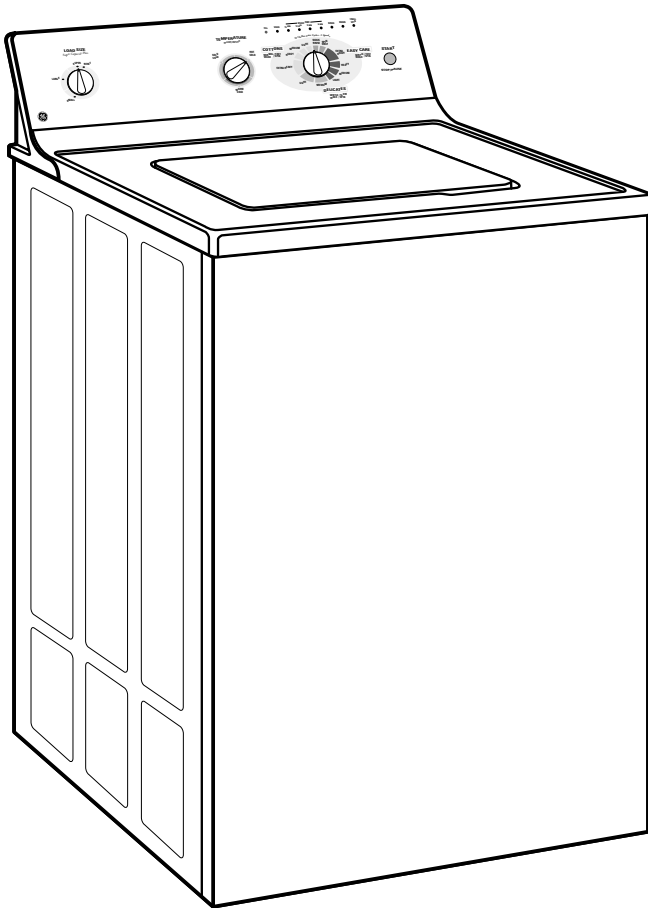
For answers to your Monogram®, GE Profile™ or GE appliance questions, visit our website at [GEAppliances.com](http://GEAppliances.com) or call GE Answer Center® service, 800.626.2000.





**GE Appliances**

## **WBSE3120BWW/CC—GE Super Plus 3.2 Cu. Ft. Capacity Washer**



### **Features and Benefits**

- Super Plus (3.2 cu. ft.) Capacity Washer
- Power Rinse™
- Auto Balance Suspension System
- 12 Wash Cycles with Cycle Status Lights:
  - Cottons, Regular with Extra Heavy Soil, Heavy Soil, Medium Soil, and Light Soil Cycles
  - Easy Care with Extra Heavy Soil, Heavy Soil, Medium Soil and Light Soil Cycles
  - Delicates with Medium Soil and Light Soil Cycles
- Quick Rinse (Prewash)
- Spin Only Option
- 3 Wash/Rinse Temperatures
- 3 (locked) Wash/Spin Speed Combinations
- 3 Water Levels
- GentlePower™ Agitator
- PermaTuf II™ Basket
- Quiet-By-Design™
- Color Lid Instructions
- 100% Front Serviceable
- Model WBSE3120BWW - White on white
- Model WBSE3120BCC - Bisque