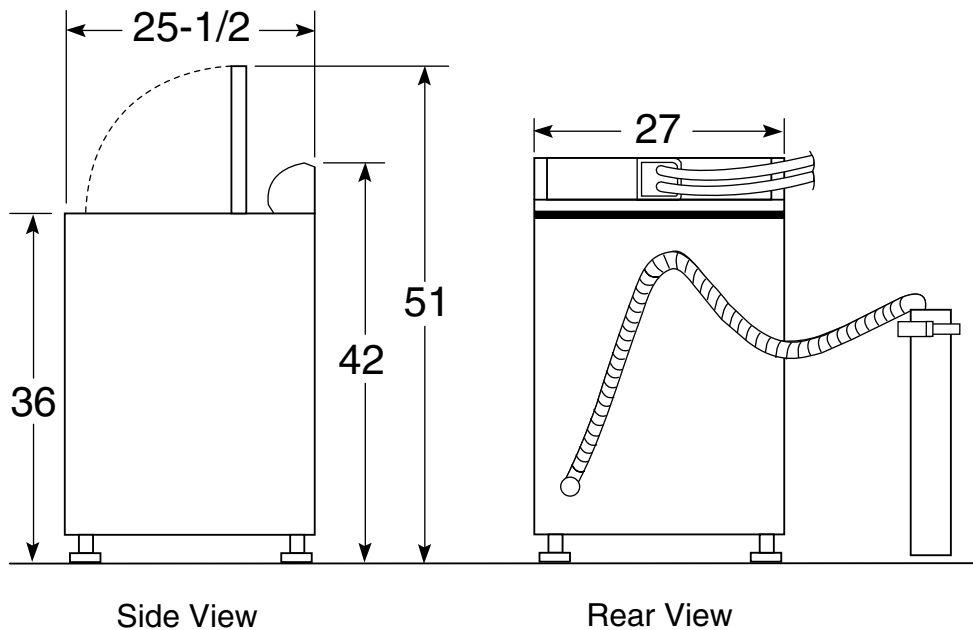




GE Appliances

WBXR1090AAA—GE Extra-Large 2.7 Cu. Ft. Capacity Washer

Dimensions (in inches)



Circuit Requirements: An individual, properly-grounded branch circuit, with a three-prong grounding-type receptacle, protected by a 15 or 20 amp circuit breaker or a time-delay fuse, is required.

Electrical Rating: 115V, 60Hz, 10A

Washer Note: Washer wall outlet must be located within 36" of service cord entry. Wall outlet must not be located behind dryer.

Installation Information: For complete information, see installation instructions packed with your washer.

Specification Created 2/00

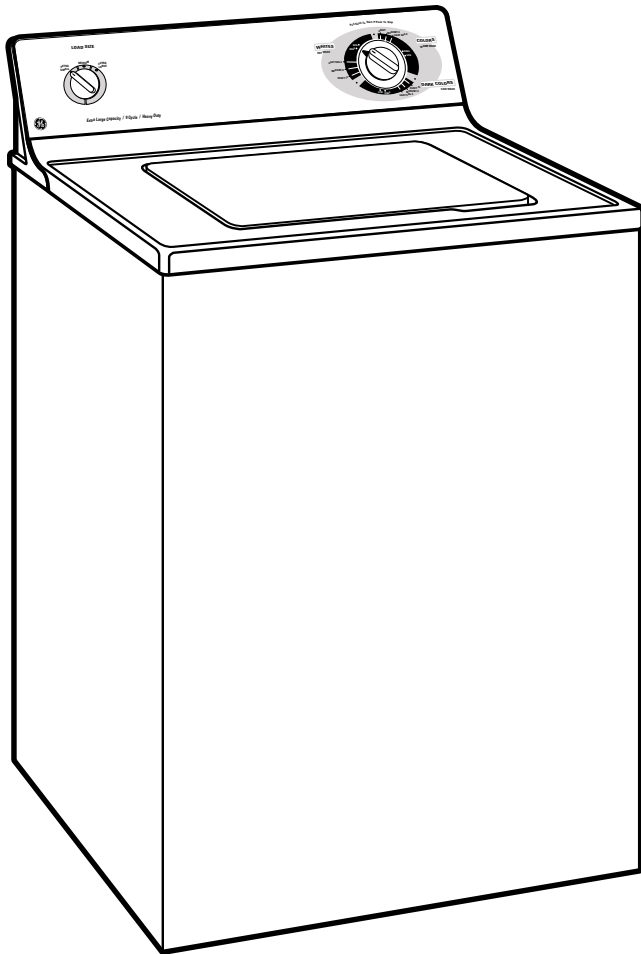
For answers to your Monogram®,
GE Profile Performance Series™,
GE Profile™ or GE appliance questions, call
GE Answer Center® service, 800.626.2000.





GE Appliances

WBXR1090AAA—GE Extra-Large 2.7 Cu. Ft. Capacity Washer



Features and Benefits

- Extra-Large (2.7 cu. ft.) Capacity Washer
- Auto Balance Suspension System
- 9 Wash Cycles:
 - Cottons, Regular with Heavy Soil, Medium Soil and Light Soil Cycles
 - Easy Care with Heavy Soil, Medium Soil and Light Soil Cycles
 - Delicates with Heavy Soil, Medium Soil and Light Soil Cycles
- SpotSpray
- 3 (locked) Wash Rinse Temperatures
- 1 Wash/Spin Speed Combination
- 3 Water Levels
- FlexCare™ Agitator
- PermaTuf II™ Basket
- Quiet-By-Design™
- 100% Front Serviceable
- Model WBXR1090AWW - White on white
- Model WBXR1090AAA - Almond on almond