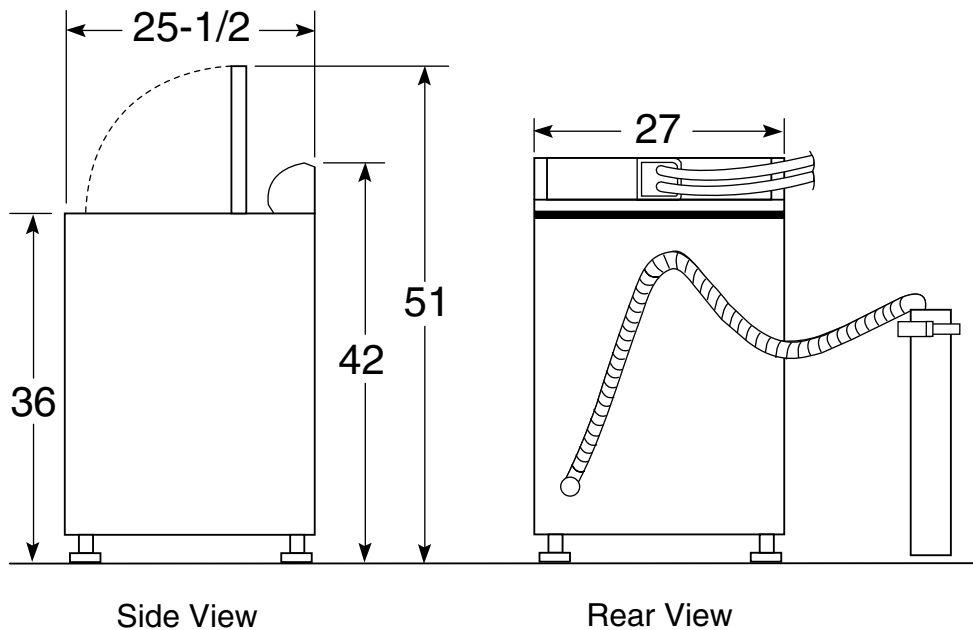




GE Appliances

## WBXR1090AWW—GE Extra-Large 2.7 Cu. Ft. Capacity Washer

Dimensions (in inches)



**Circuit Requirements:** An individual, properly-grounded branch circuit, with a three-prong grounding-type receptacle, protected by a 15 or 20 amp circuit breaker or a time-delay fuse, is required.

**Electrical Rating:** 115V, 60Hz, 10A

**Washer Note:** Washer wall outlet must be located within 36" of service cord entry. Wall outlet must not be located behind dryer.

**Installation Information:** For complete information, see installation instructions packed with your washer.

Specification Created 2/00

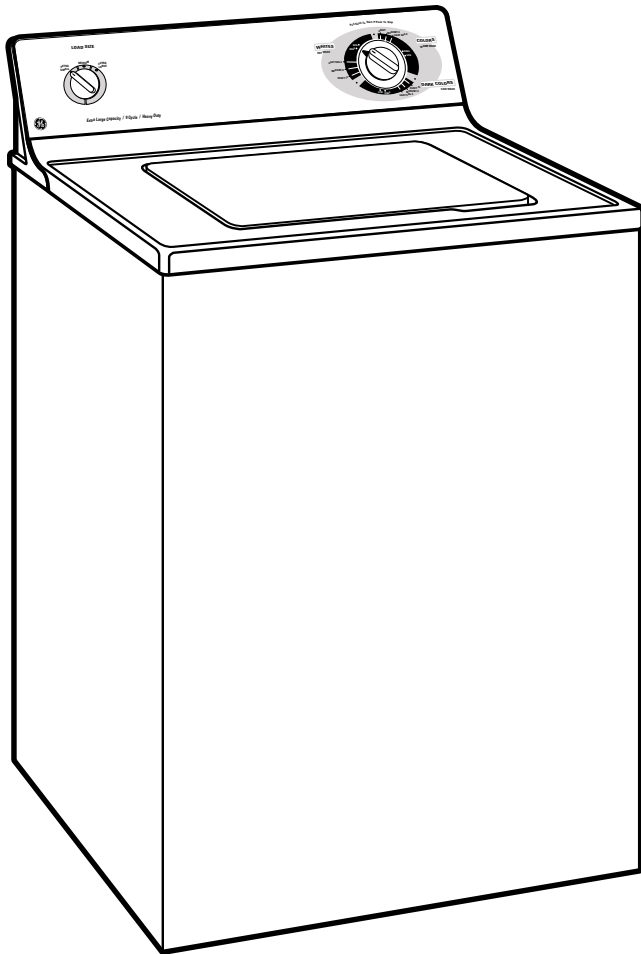
For answers to your Monogram®,  
GE Profile Performance Series™,  
GE Profile™ or GE appliance questions, call  
GE Answer Center® service, 800.626.2000.





**GE Appliances**

## **WBXR1090AWW—GE Extra-Large 2.7 Cu. Ft. Capacity Washer**



### **Features and Benefits**

- Extra-Large (2.7 cu. ft.) Capacity Washer
- Auto Balance Suspension System
- 9 Wash Cycles:
  - Cottons, Regular with Heavy Soil, Medium Soil and Light Soil Cycles
  - Easy Care with Heavy Soil, Medium Soil and Light Soil Cycles
  - Delicates with Heavy Soil, Medium Soil and Light Soil Cycles
- SpotSpray
- 3 (locked) Wash Rinse Temperatures
- 1 Wash/Spin Speed Combination
- 3 Water Levels
- FlexCare™ Agitator
- PermaTuf II™ Basket
- Quiet-By-Design™
- 100% Front Serviceable
- Model WBXR1090AWW - White on white
- Model WBXR1090AAA - Almond on almond