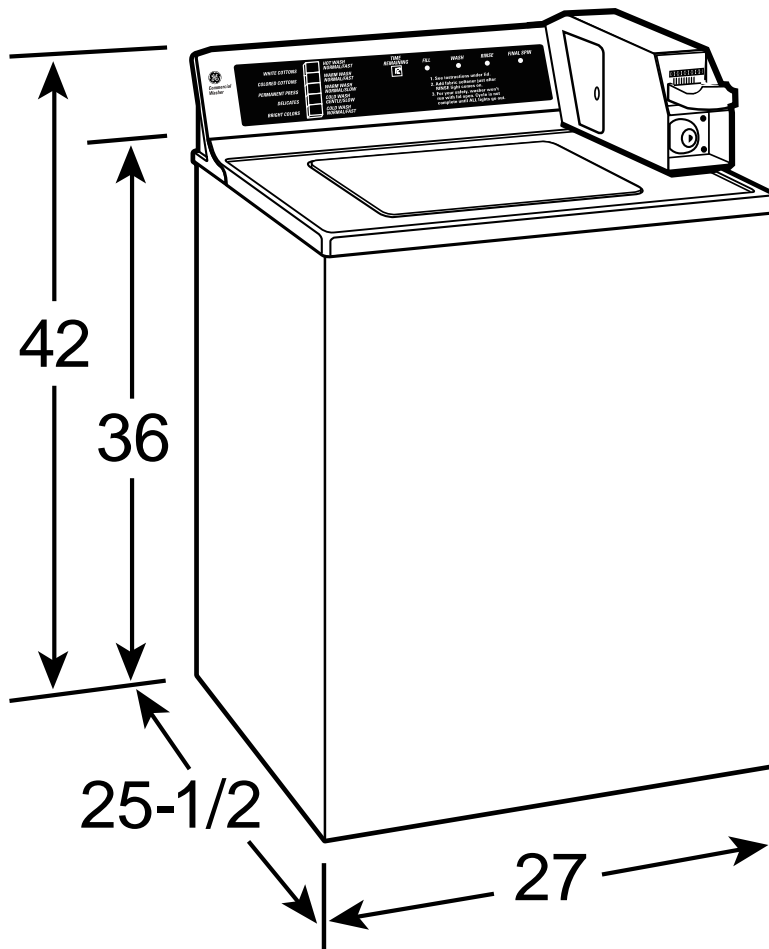




GE Appliances

WCCD2050DKC/WC – GE® 3.2 Cu. Ft. Capacity Coin-Operated Washer

Washer Dimensions (in inches)



Specification Created 6/03

Energy Saving:

All wash cycles include energy-saving cold water rinse. Connector in backsplash can be joined for warm rinse. Total cycle time – 24 minutes plus fill time. Actual wash time is 8 minutes with a final spin speed of approximately 630 RPM.

Electrical Requirement:

115 Volts, 60 Hertz

An individual, properly grounded 15- or 20-amp branch circuit is required.

Note:

Coin slide or coin drop, coin vault, and locks for cover and meter case access door are not provided with washer.

Installation Information:

For complete information, see installation instructions packed with product.



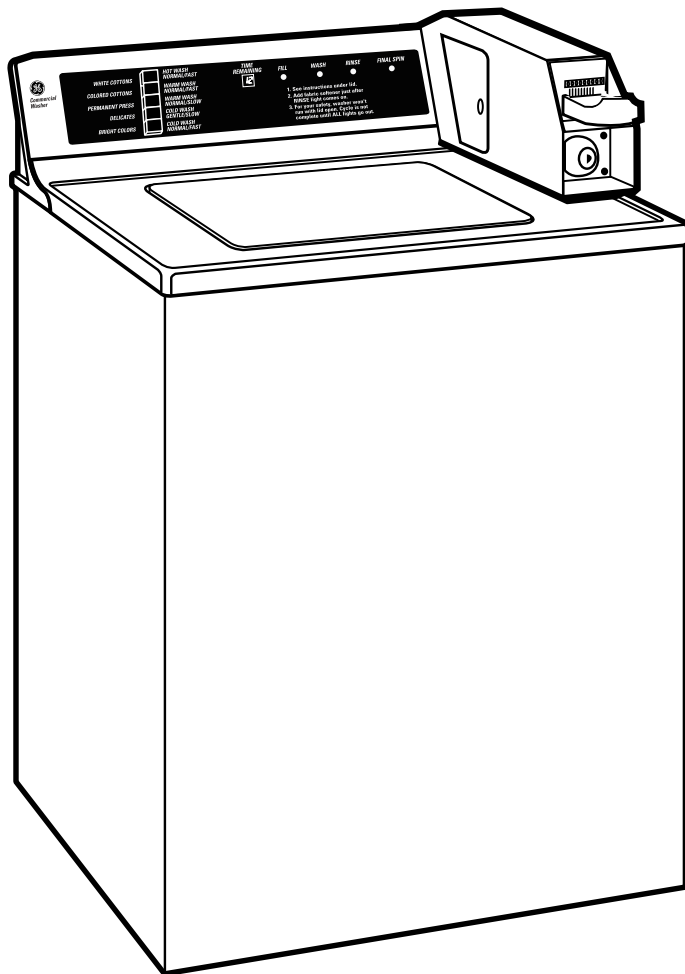
Listed by
Underwriters
Laboratories

For answers to your Monogram®, GE Profile™ or GE® appliance questions, visit our website at GEAppliances.com or call GE Answer Center® service, 800.626.2000.



GE Appliances

WCCD2050DKC/WC – GE® 3.2 Cu. Ft. Capacity Coin-Operated Washer



Features and Benefits

- LED Readout – Provides accurate wash times, from fill to finish.
- Two Wash/Spin Speeds – Matches wash action to fabric type for better cleaning and clothes care.
- Five Wash Cycles – A cycle for almost every fabric, from the heaviest cottons to the finest handwashables.
- Three Wash/Rinse Temperatures – Allow you to select the right temperature for better wash results and longer fabric life.
- GentlePower™ Agitator – Moves clothes gently through water to reduce wear and tear.
- Variable Water Levels – Water levels are automatically adjusted based on the load size, eliminating guesswork.
- Model WCCD2050DWC – White
- Model WCCD2050DKC – Bisque