



## 6.4 cu. ft. Combination Wall Oven with Convection

- 1.7 cu. ft. Microwave / Convection Oven
- 4.7 cu. ft. Oven
- WideView™ Window
- Air Fry with Tray Accessory
- EasyClean® + Self Clean
- Fan Convection
- 2 Heavy Duty Racks
- SmoothTouch™ Glass Controls
- Optional Flush Installation
- Trim Kit Included
- LG ThinQ® Technology (Wi-Fi)
- ThinQ Care



### COLOR AVAILABILITY

- WCEP6423F – PrintProof™ Stainless Steel
- WCEP6423D – PrintProof™ Black Stainless Steel

### CAPACITY

Oven Capacity	6.4 cu. ft. Total
Upper Oven Capacity	1.7 cu.ft.
Lower Oven Capacity	4.7 cu. ft.

### CONTROLS

Oven Control Type	SmoothTouch™ Glass
Language	English, Spanish, French
Clock	12 hr or 24 hr (option)
Kitchen Timer	Yes
Temperature Unit of Measure	°F or °C
Cooking Complete Reminder Volume	High, Low, Off

### UPPER OVEN FEATURES

Microwave	Yes
Convection Bake	Yes
Broil	Yes
Built-in Air Fry	Yes
Dehydrate	Yes
Speed Cook	No
Speed Broil	No
Warm	Yes
Proof	Yes
Defrost	Yes (4 Options)
Sensor Cook	Yes (9 Options)
Auto Cook	Yes (28 Options)
Soften	Yes (4 Options)
Melt	Yes (5 Options)
Microwave Power Output	950 W
Microwave Mode Power Consumption	1,650 W
Convection Bake Mode Power Consumption	1,600 W

Broil Mode Power Consumption	1,300 W
Convection Element	1,500 W (Hidden)
Broil Element (Upper)	1,200 W
Bake Element (Upper)	375 W
Glass Tray	Yes
Metal Tray	Yes
Metal Rack	Yes

### LOWER OVEN FEATURES

EasyClean®	Yes
Self Clean	Yes
Variable Cleaning Time	Yes (3, 4, 5 hrs)
Oven Racks	2 Heavy Duty
Number of Rack Positions	5
Temperature Probe	No
True Convection	No (Fan Convection)
Convection Conversion	No
Convection Element	No
Built-in Air Fry	Yes
Variable Broil	Yes (Full, Center / High, Med, Low)
Broil Element	Inner: 2,500 W Outer: 1,500 W
Broil Element Type	8-Pass
Bake Element	Yes (2,500 W)
Bake Element Type	Hidden (8-Pass)
Water Reservoir	No
Steam Sous Vide	No
Steam Bake	No
Proof	Yes
Oven Cooking Modes	Air Fry / Convection Bake / Convection Roast / Bake / Broil / Frozen Meal / Warm / Proof / Favorite

Automatic Safety Shut-Off	After 12 Hours
Oven Lights	Halogen
Variable Warm	Yes (High, Med, Low)
<b>CONVENIENCE</b>	
ADA Compliant	No
Sabbath Mode	Yes (Star-K-Certified)
<b>SMART FEATURES</b>	
Wi-Fi Enabled	Yes
ThinQ®	Yes
ThinQ Care	Yes
Voice Control	Google Assistant, Amazon Alexa
SmartDiagnosis™	Yes
Smart Recipe (3rd Party Recipe App)	Yes (SideChef)
Scan to Cook (LG ThinQ® Technology)	Yes (Lower Oven Only)
<b>FINISHES AND APPEARANCE</b>	
Fingerprint & Smudge Resistant Exterior	Yes
Handle Finish	Stainless Steel Appearance
Oven Door Feature	WideView™ Window

### TECHNICAL SPECS

Required Power Supply	240/208V, 60Hz, 4-Wire
Minimum Circuit Breaker	40 Amp @ 240V, 30 Amp @ 208V
kW Rating at 240V	7.8 kW
Power Outlet Location	See Installation Diagram

### INCLUDED ACCESSORIES

Glass Tray, Metal Tray, Rack, 2 Heavy Duty Racks, Air Fry Tray

### DIMENSIONS

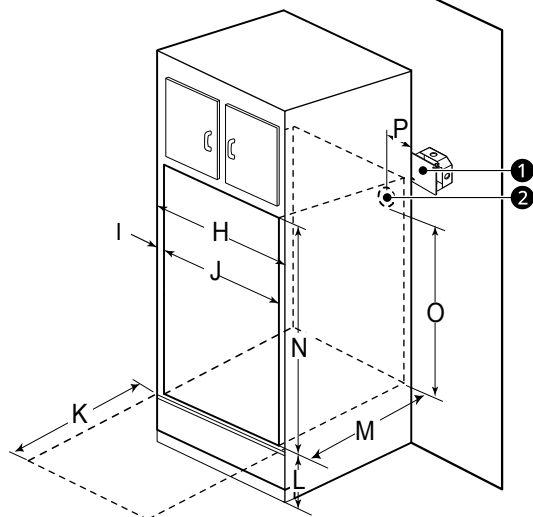
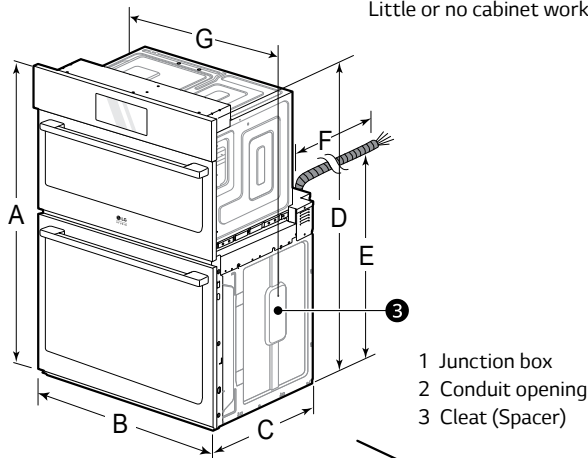
Product Dimensions (W x H x D)	29 3/4" x 43 13/16" x 23 3/8"
Minimum Cutout Dimensions (W x H x D)	Standard: 28 1/2" x 43 7/16" x 24" Flush: 30" x 44" x 25"
Carton Dimensions (W x H x D)	33" x 50" x 30"
Approx. Weight (Product / Carton)	192 lbs. / 225 lbs.

### LIMITED WARRANTY

Parts and Labor	1 Year
-----------------	--------

### DIMENSIONS / CLEARANCES

Measure the current cutout dimensions and compare them to the cutout dimensions shown below. Little or no cabinet work may be necessary.



### DIMENSIONS / CLEARANCES

A	Height	43 13/16" (111.3 cm)
B	Width	29 3/4" (75.5 cm)
C	Depth	23 3/8" (59.3 cm)
D	Height (standard installation)	43 3/16" (109.7 cm)
E	Height (power cord)	25 7/8" (65.6 cm)
F	Length (power cord)	60" (152.4 cm)
G	Width (standard installation)	28 7/16" (72.2 cm)
H	Cabinet width	30" (76.2 cm)
I	Overlap of oven	1" (2.5 cm)
J	Cutout width	28 1/2" Min. (72.4 cm) 28 5/8" Max. (72.7 cm)
K	Depth of open door	23" (58.4 cm)
L	Cutout location from floor	12" (30.5 cm)
M	Cutout depth	24" Min. (61.0 cm)
N	Cutout height	43 7/16" Min. (110.3 cm) 43 1/2" Max. (110.5 cm)
O	Height of conduit opening from floor of cutout	39 27/32" (101.2 cm)
P	Distance of conduit opening from side of cabinet	5" (12.7 cm)

SEE INSTALLATION NOTES ON NEXT PAGE

## DIMENSIONS / CLEARANCES

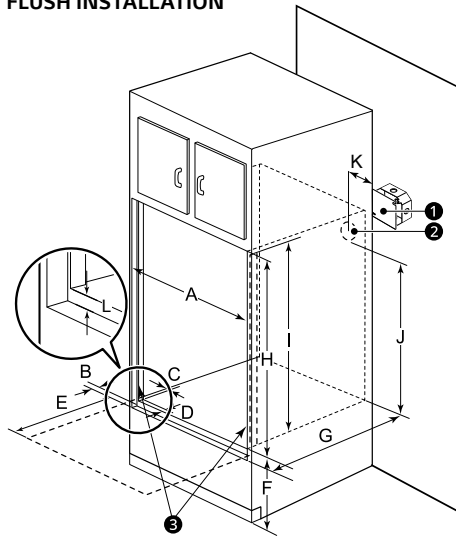
### INSTALLATION NOTES

- The cabinet base platform must be able to support 202 lbs (92 kg) for this appliance. If the cabinet does not have a solid bottom, two braces or runners must be installed level with the bottom of the cutout to support the weight of the appliance. Make sure the base is level and the front of the cabinet is square. If the cabinet base is not level, the oven racks will tend to slide out when opening the door.
- Make sure the cabinets and wall coverings around the oven can withstand the temperature (up to 194°F (90°C)) generated by the oven. Discoloration, delamination or melting may occur.
- Kitchen cabinets in contact with the oven must be heat resistant up to 194°F (90°C), and fronts of nearby units up to at least 158°F (70°C).
- DO NOT remove spacers (3) on the side walls of the built-in oven. These spacers center the oven in the space provided. The oven must be centered to prevent excess heat buildup that may result in heat damage or fire.
- DO NOT put any weight on the oven door. Never allow anyone to climb, sit, stand or hang on the oven door. The oven could be tipped and injury might result from contact with hot food or the oven itself.
- DO NOT block the oven air exhaust located at the bottom of the oven. Blocking the exhaust may cause cabinet damage and product malfunction.

### NOTE

- If marks, blemishes or the cutout opening are visible above the installed appliance, it may be necessary to add wood shims under the runners and front trim until the marks or opening are covered.
- If the cabinet does not have a front frame and the sides are less than 3/4" (1.9 cm) thick, shim both sides equally to establish the cutout width.
- The junction box (1) must be flush with the conduit opening (2) of the cabinet as shown.
- Allow at least a 23" clearance for the door depth when it is open.

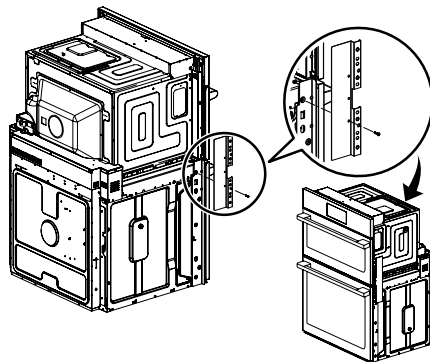
### FLUSH INSTALLATION



- 1 Junction box
- 2 Conduit opening
- 3 Cleat (Spacer)

### DIMENSIONS / CLEARANCES

A	Cutout width	30" (76.2 cm)
B	Cleat (spacer) inset from front of cabinet	1 3/8" (3.5 cm)
C	Cleat (spacer) width	3/16" (0.5 cm)
D	Cleat (spacer) depth	1" (2.5 cm)
E	Depth of open door	23" (58.4 cm)
F	Bottom of cutout from floor	12" (30.5 cm)
G	Cutout depth	25" (63.5 cm)
H	Cutout height	44" (111.8 cm)
I	Cleat (spacer) height	43 13/16" (111.3 cm)
J	Height of conduit opening from floor of cutout	39 7/8" (101.2 cm)
K	Distance of conduit opening from side of cabinet	5" (12.7 cm)
L	Bottom of bottom decorative trim to vent opening	3/4" (1.9 cm)



### WHEN INSTALLING FLUSH CABINET

- The provided cover brackets are only used for flush cabinet installations.
- Remove one screw from the left and right sides as shown. These screw holes will be used to mount the cover brackets. Install the cover brackets on the sides of the oven with the provided self-tapping screws.

