

WCRE6270H

GE® ENERGY STAR® 3.5 Cu. Ft. King-Size Capacity Washer with Stainless Steel Basket

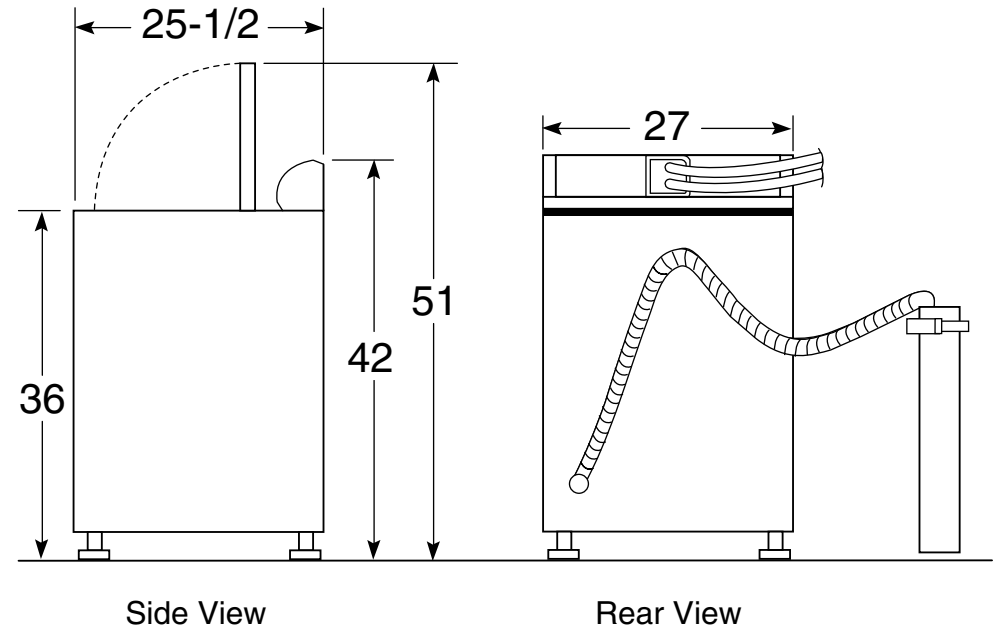
Dimensions and Installation Information (in inches)

Circuit Requirements: An individual, properly-grounded branch circuit, with a three-prong grounding-type receptacle, protected by a 15 or 20 amp circuit breaker or a time-delay fuse, is required.

Electrical Rating: 115V, 60Hz, 10A

Note: Washer wall outlet must be located within 36" of service code entry. Wall outlet must not be located behind dryer.

Installation Information: Before installing, consult installation instructions packed with product for current dimensional data.



For answers to your Monogram®, GE Profile™ or GE® appliance questions, visit our website at ge.com or call GE Answer Center® service, 800.626.2000.



imagination at work



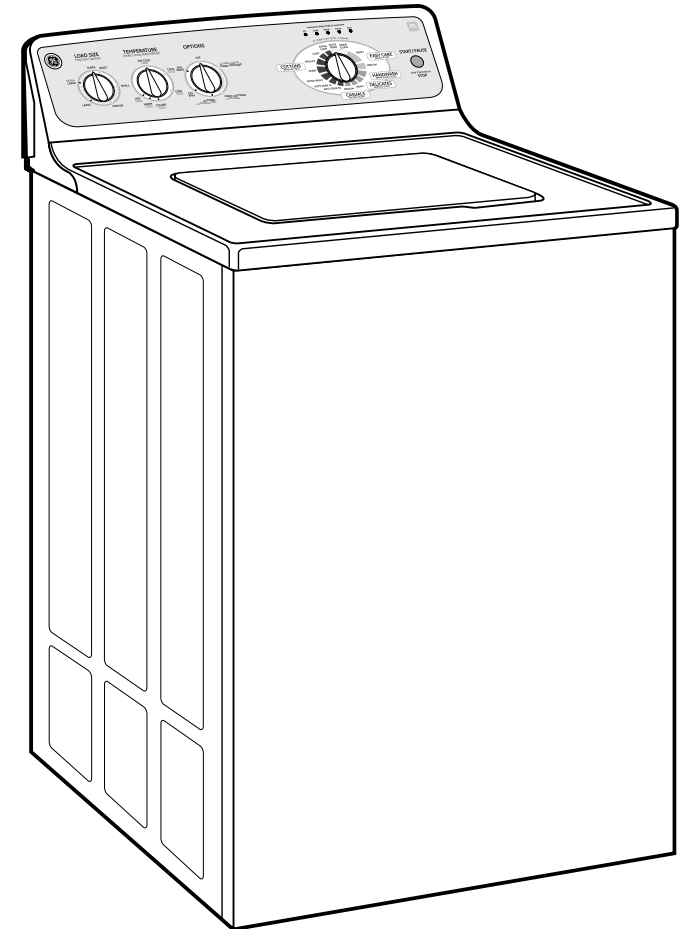
Listed by
Underwriters
Laboratories

WCRE6270H

GE® ENERGY STAR® 3.5 Cu. Ft. King-Size Capacity Washer with Stainless Steel Basket

Features and Benefits

- ENERGY STAR® Qualification - Means less energy waste and lower utility bills
- 3.5 Cu. Ft. King-Size Stainless Steel Wash Basket - Washes more at once, which means fewer loads and less time spent doing laundry
- HydroWave™ Wash System - Has variable speeds to match the wash action to the clothing type. Longer, slower travel through the water improves cleaning performance and is gentler on your clothes
- Five Wash/Spin Speed Combinations - Speeds are matched to fabric type for better clothes care
- 31 Wash Cycles - Deliver optimal cleaning results for your clothing
- 6 Wash/Rinse Temperatures - Offer a greater degree of control over fabric cleaning and care
- Variable Water Levels - Give you the option of adjusting the water levels to match load size, reducing water usage
- Fabric Softener Options - Selects deep fill rinse to efficiently distribute liquid fabric softener
- 2nd Rinse Option - Helps protect delicate fabrics and sensitive skin
- Extended Spin - Longer spin means less time drying
- Deluxe Quiet - Provides near-silent performance with a quiet-engineered motor and components, plus an extra layer of insulation
- GentlePower™ Agitator - Moves clothes gently through water to reduce wear and tear
- Rotary Electronic Controls with LED Indicators - Make it simple to select and monitor wash cycles
- Model WCRE6270HCC – Bisque on bisque
- Model WCRE6270HWW – White on white



imagination at work