

WDSR2080G

GE® 3.2 Cu. Ft. Super Capacity Washer

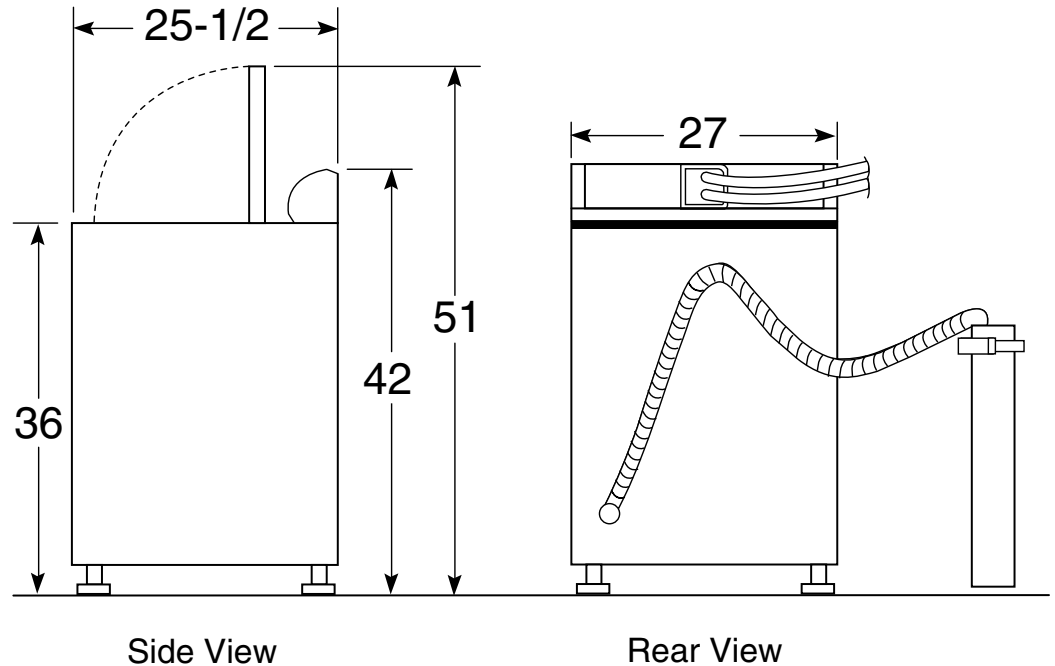
Dimensions and Installation Information (in inches)

Circuit Requirements: An individual, properly-grounded branch circuit, with a three-prong grounding-type receptacle, protected by a 15 or 20 amp circuit breaker or a time-delay fuse, is required.

Electrical Rating: 115V, 60Hz, 10A

Note: Washer wall outlet must be located within 36" of service code entry. Wall outlet must not be located behind dryer.

Installation Information: Before installing, consult installation instructions packed with product for current dimensional data.



For answers to your Monogram®, GE Profile™ or GE® appliance questions, visit our website at ge.com or call GE Answer Center® service, 800.626.2000.

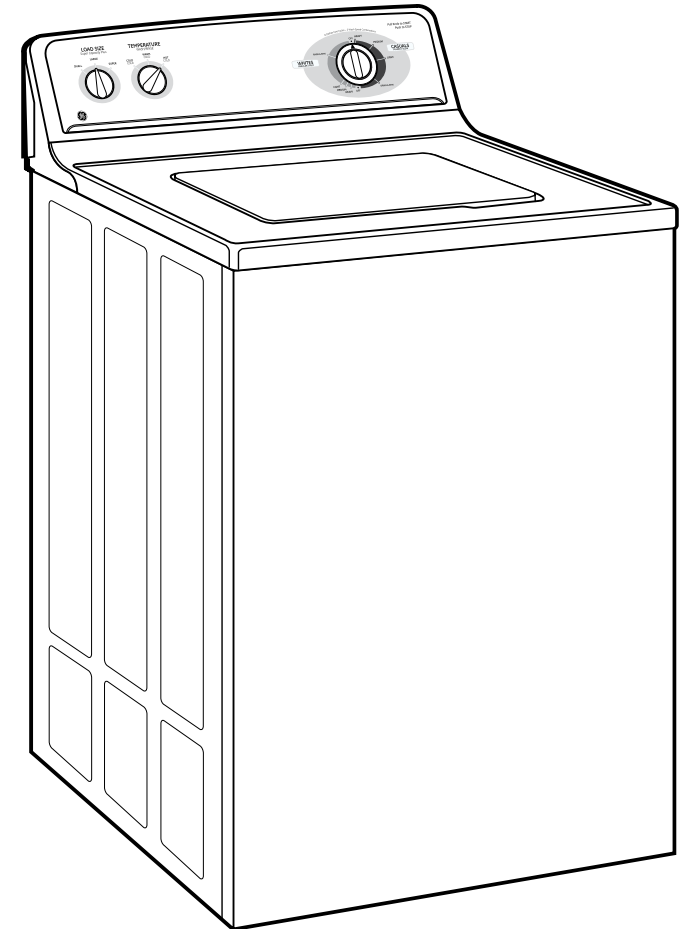


WDSR2080G

GE® 3.2 Cu. Ft. Super Capacity Washer

Features and Benefits

- 3.2 Cu. Ft. Super PermaTuf® II Wash Basket - Designed to maintain a long-lasting stain-free appearance with bright white interior
- Two Pulsed Wash/Spin Speed Combinations - Alternate between high and low speeds for better clothes care
- Eight Wash Cycles - Convenient, preprogrammed settings for your everyday fabrics
- Three Wash/Rinse Temperatures - Offer better wash results and longer fabric life
- Three Water Levels - Minimize water waste
- FlexCare™ Agitator - Provides gentle, yet effective washing action
- Bleach Dispenser - Automatically mixes bleach with wash water for proper bleaching action
- Rotary Electromechanical Controls - Allow fast, easy cycle selection
- Rinse and Spin - A fast, convenient way to remove odors and residue from items like swimsuits and towels
- Model WDSR2080GWW – White on white
- Model WDSR2080GCC – Bisque on bisque



imagination at work