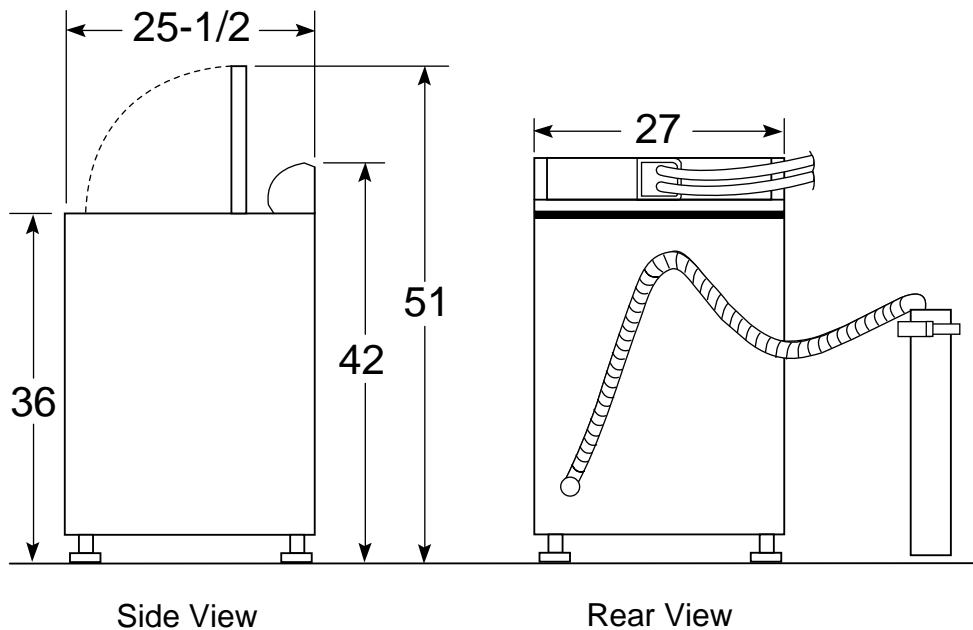




GE Appliances

WJSE4150BWW/CC—GE Super Plus 3.2 Cu. Ft. Capacity Washer

Dimensions (in inches)



Circuit Requirements: An individual, properly-grounded branch circuit, with a three-prong grounding-type receptacle, protected by a 15 or 20 amp circuit breaker or a time-delay fuse, is required.

Electrical Rating: 115V, 60Hz, 10A

Washer Note: Washer wall outlet must be located within 36" of service cord entry. Wall outlet must not be located behind dryer.

Installation Information: For complete information, see installation instructions packed with your washer.

Specification Created 11/01

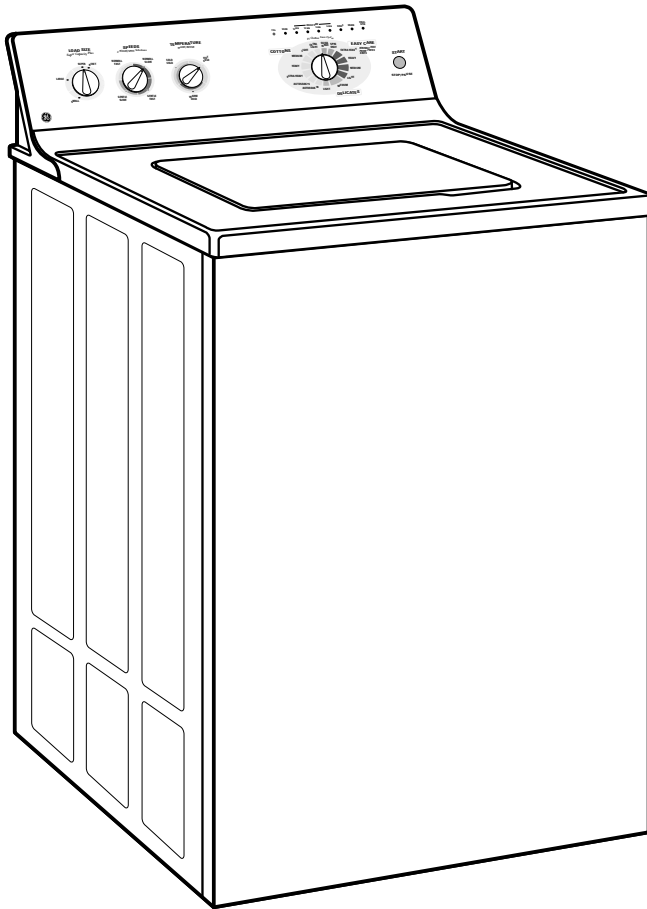


For answers to your Monogram®, GE Profile™ or GE appliance questions, visit our website at GEAppliances.com or call GE Answer Center® service, 800.626.2000.



GE Appliances

WJSE4150BWW/CC—GE Super Plus 3.2 Cu. Ft. Capacity Washer



Features and Benefits

- Super Plus (3.2 cu. ft.) Capacity Washer
- Power Rinse™
- Auto Balance Suspension System
- 15 Wash Cycles with Cycle Status Lights:
 - Cottons, Regular with Auto Soak (15 and 30 Min.), Extra Heavy Soil, Heavy Soil, Medium Soil, Light Soil and Extra Light Soil Cycles
 - Easy Care with Extra Heavy Soil, Heavy Soil, Medium Soil and Light Soil Cycles
 - Delicates with Medium Soil and Light Soil Cycles
 - Quick Rinse (Prewash)
- Spin Only Option
- 3 Wash/Rinse Temperatures
- 4 Wash/Spin Speed Combinations
- 3 Water Levels
- GentlePower™ Agitator
- PermaTuf II™ Basket
- Quiet-By-Design™
- Fabric Softener Dispenser and Bleach Dispenser
- Color Lid Instructions
- 100% Front Serviceable
- Model WJSE4150BWW - White on white
- Model WJSE4150BCC - Bisque