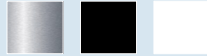
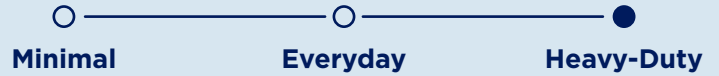


Colors:

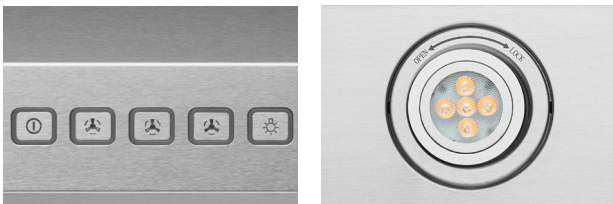


SUITABLE COOKING STYLE & FEATURES:



WM-530P CONTEMPORARY WALL MOUNT SIZES: 30" 36"

PRODUCT DESCRIPTION



Now here's a range hood that looks like a work of art and performs like a workhouse. The WM-530 model will fit any kitchen style with its fresh canopy style and modern stainless steel finish. If you think your range hood has to be an eyesore, think again. You'll love the way this 30" chimney range hood immediately upgrades your kitchen's appearance.

WHAT'S INCLUDED

Dishwasher-Safe Baffle Filters (2 for 30" Model, 3 for 36" Model), Lower Chimney Cover (1), Upper Chimney Cover (1), Chimney Bracket (2), Grease Collector Tube (1), 6" Round Exhaust Adapter (1)

OVERALL PRODUCT DIMENSIONS (WxDxH)

WM-530-30P: 29-1/2" x 19" x 25" - 44"
 WM-530-36P: 29-1/2" x 19" x 25" - 44"

WARRANTY

2-Year Limited Warranty and Lifetime Warranty on Motor



FEATURES & BENEFITS:

PROFESSIONAL CANOPY RANGE HOOD:
 Our wall-mounted range hoods instantly upgrade your kitchen's appearance while maximizing wall space.

UNIQUELY DESIGNED CONTROL PANEL:
 No more big screen on your stove hood. Our stove hood incorporated the latest touch button technology that is responsive and blends with the rest of the range hood.

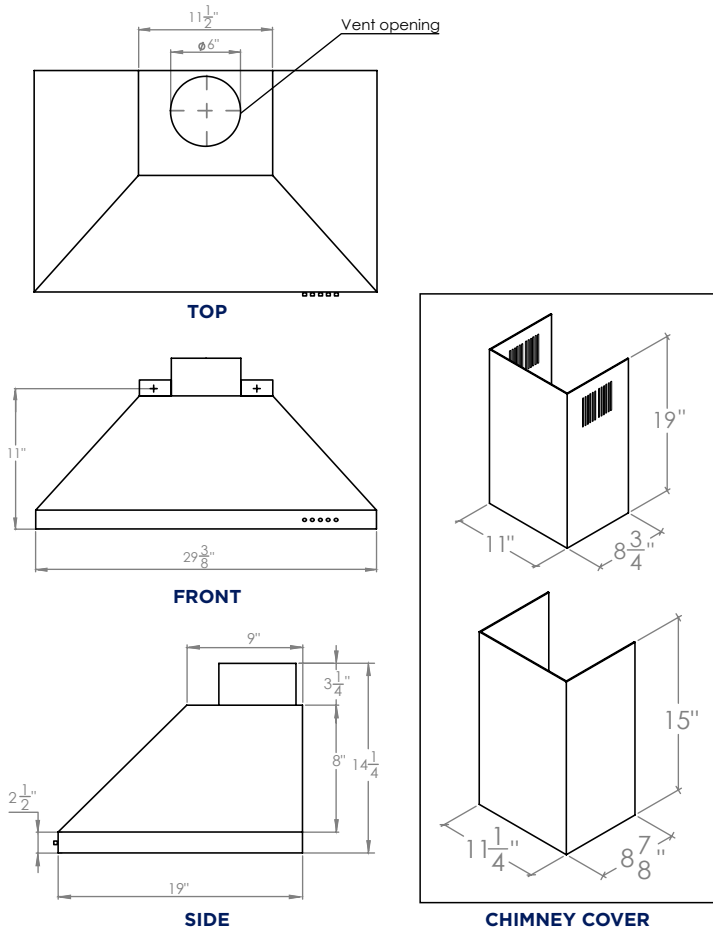
PERFECT FOR HIGH CEILINGS:
 The over hood fits kitchens with up to 9 foot ceilings.

Extension kit (sold separately) for any kitchens with 10 foot ceilings.

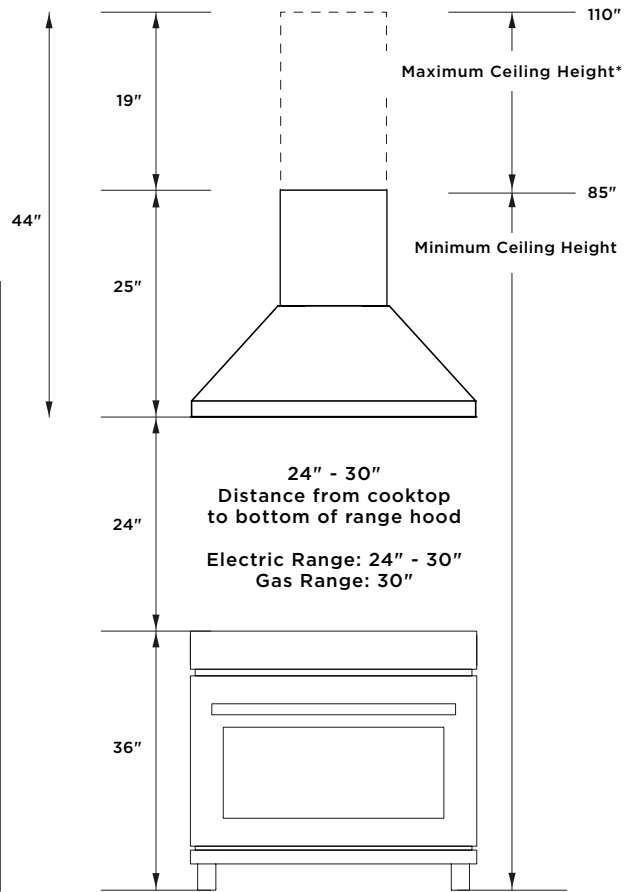
EASILY CONVERT TO DUCTLESS:
 Fits 6" duct or convert to ductless with our effective charcoal filters (sold separately). These filters trap grease particles from fumes and deodorize cooking smells.

ADA COMPLIANT PRODUCT:
 This ADA compliant range hood can be operated via remote control, enhancing safety for users of all abilities.

DETAIL DRAWING



CEILING HEIGHT GUIDE



SPECIFICATIONS

SIZE	30" 36"
STYLE	Wall Mount
DUCTLESS	Yes
CLEANING FUNCTION	N/A
NOISE LEVEL	1.5 to 6.5 Sones
LIGHT COLOR TEMP.	Warm / 3000 Kelvin
LIGHT BULB	3W LED (GU10 Base)
LIGHT INTENSITY	1 Level
CONTROL	Electronic Buttons
SPEED SELECTIONS	3 Levels
CONVERTIBLE	Yes. Charcoal Filters (CFI001) Not Included.

EQUIVALENT AIRFLOW	860 CFM
LABORATORY AIRFLOW	450 CFM
TOP VENTING	6" Round
REAR VENTING	N/A
MOTOR	Single
WATTAGE	216W
VOLTAGE	120V
CONNECTION	Plug-In
AMPERAGE	1.8 Amp
OVERALL PRODUCT DIMENSIONS (WxDxH)	30": 29-3/8" x 19" x 25" - 44" 36": 35-1/4" x 19" x 25" - 44"