

WMCD2050H

GE® 3.2 Cu. Ft. Capacity Coin-Operated Washer

Dimensions and Installation Information (in inches)

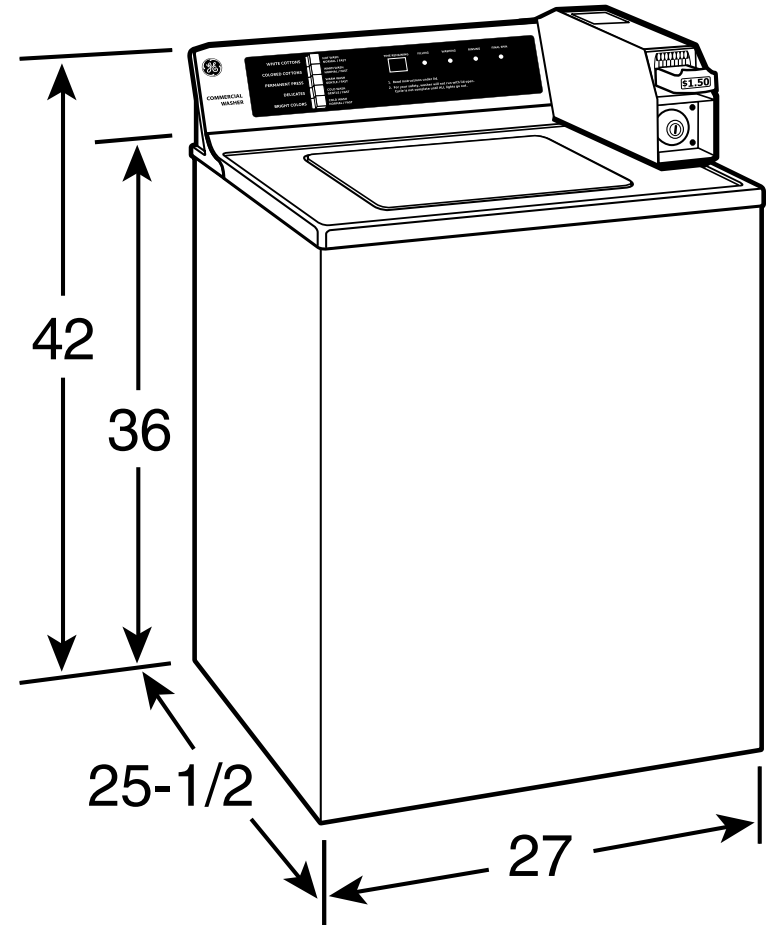
Energy Saving: All wash cycles include energy-saving cold water rinse. Connector in backsplash can be joined for warm rinse. Total cycle time—24 minutes plus fill time. Actual wash time is 8 minutes with a final spin speed of approximately 630 rpm.

Electrical Rating: 115V, 60Hz

An individual, properly grounded 15- or 20-amp branch circuit is required.

Note: Coin slide or coindrop, coin vault and locks for cover and meter case access door are provided with washer.

Installation Information: Before installing, consult installation instructions packed with product for current dimensional data.



For answers to your Monogram®, GE Profile™ or GE® appliance questions, visit our website at ge.com or call GE Answer Center® service, 800.626.2000.



imagination at work



Listed by
Underwriters
Laboratories

Specification Revised 5/09

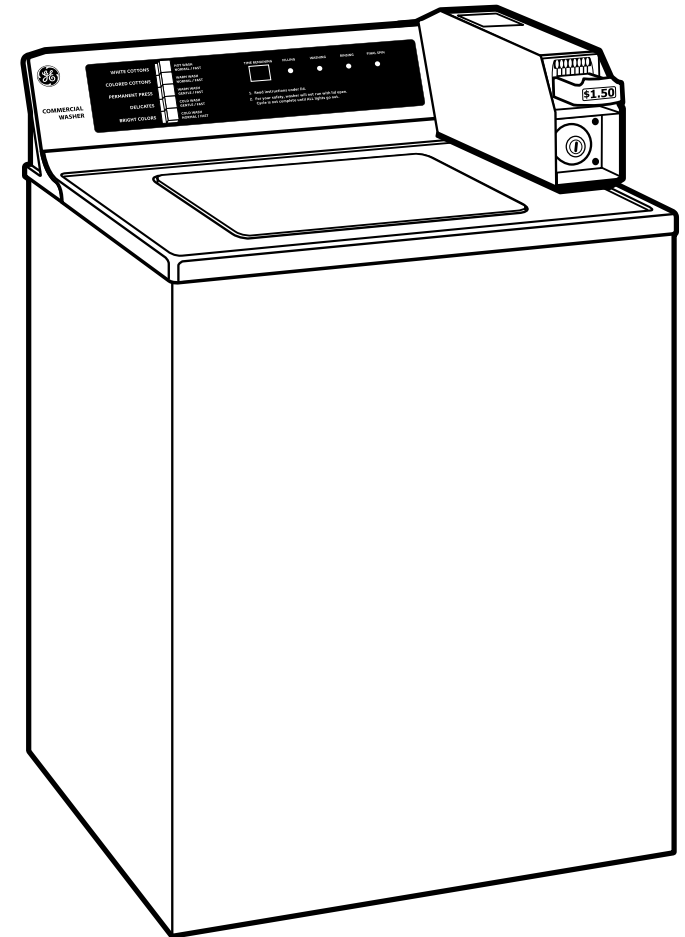
370414

WMCD2050H

GE® 3.2 Cu. Ft. Capacity Coin-Operated Washer

Features and Benefits

- Greenwald Coin System - Includes coin box, key, coin slide and related parts
- LED Readout - Provides accurate wash times, from fill to finish
- Two Wash/Spin Speed Combinations - Matches wash action to fabric type for better cleaning and clothes care results
- Five Wash Cycles - A cycle for almost every fabric, from the heaviest cottons to the finest handwashables
- Three Wash/rinse Temperatures - Offer better wash results and longer fabric life
- GentlePower™ Agitator - Moves clothes gently through water to reduce wear and tear
- Owner Adjustable Water Levels - Gives you the option of adjusting the water levels to match load size, reducing water usage
- Model WMCD2050HWC - White on white



For answers to your Monogram®, GE Profile™ or GE® appliance questions, visit our website at ge.com or call GE Answer Center® service, 800.626.2000.



imagination at work



Listed by
Underwriters
Laboratories

Specification Revised 5/09

370414