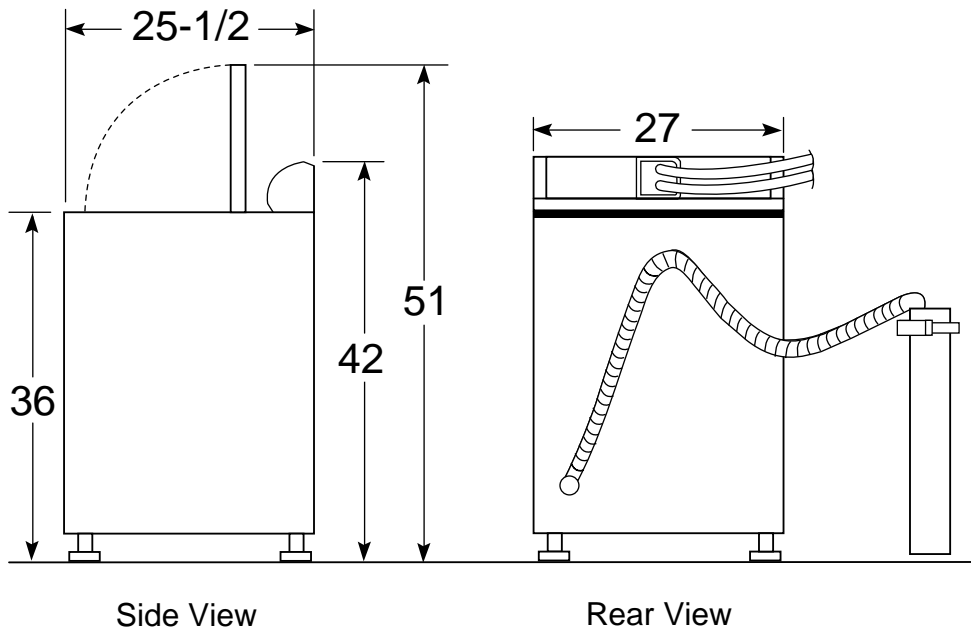




Profile™

## WPSE4200AWW—GE Profile™ Super Plus 3.2 Cu. Ft. Capacity Washer

Dimensions (in inches)



**Circuit Requirements:** An individual, properly-grounded branch circuit, with a three-prong grounding-type receptacle, protected by a 15 or 20 amp circuit breaker or a time-delay fuse, is required.

**Electrical Rating:** 115V, 60Hz, 10A

**Washer Note:** Washer wall outlet must be located within 36" of service code entry. Wall outlet must not be located behind dryer.

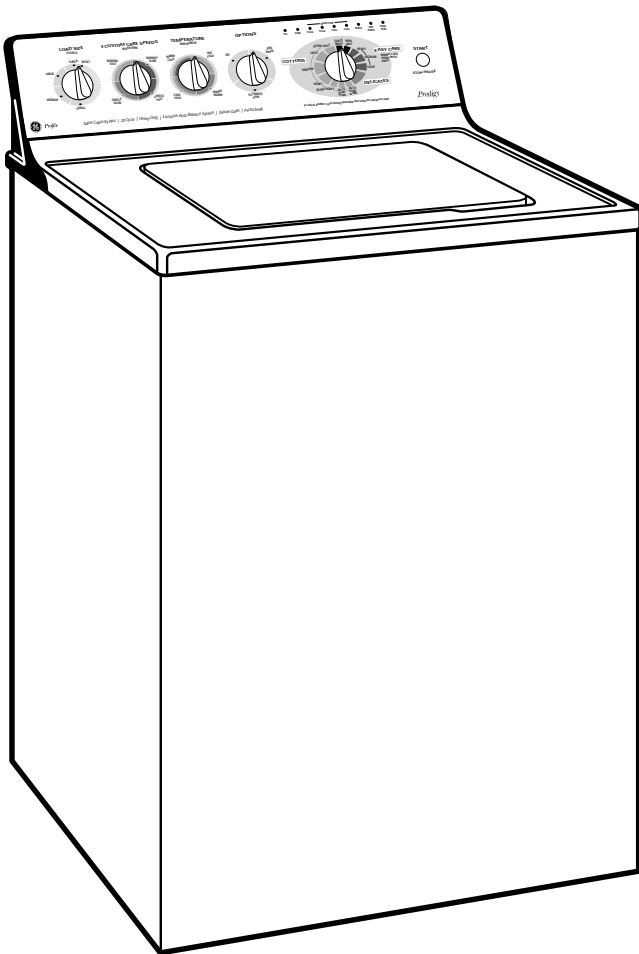
For answers to your Monogram®,  
GE Profile Performance Series™,  
GE Profile™ or GE appliance questions, call  
GE Answer Center® service, 800.626.2000.





*Profile™*

## WPSE4200AWW—GE Profile™ Super Plus 3.2 Cu. Ft. Capacity Washer



### Features and Benefits

- Super Plus (3.2 cu. ft.) Capacity Washer
- Auto Balance Suspension System
- ColorLogic™ 2000
- 20 Wash Cycles with Cycle Countdown:
  - Cottons, Regular with Auto Soak (15/30 Min.), Extra Heavy Soil, Heavy Soil, Medium Soil, Light Soil and Extra Light Soil Cycles
  - Easy Care with Heavy Soil, Medium Soil and Light Soil
  - Delicates with Medium Soil
- Quick Rinse (Prewash) with Second Rinse
- Spin Only and Extended Spin Options
- PerfectTemp
- SpotSpray
- 4 Wash Rinse Temperatures
- 4 Wash/Spin Speed Combinations
- 4 Water Levels
- GentlePower™ Agitator
- Self-Cleaning Filter
- PermaTuf II™ Basket
- Quiet-By-Design™
- Deluxe Quiet Plus Insulation Package
- Fabric Softener Dispenser and Bleach Dispenser
- Color Lid Instructions
- 100% Front Serviceable
- Model WPSE4200AWW—White on White
- Model WPSE4200AAA—Almond on Almond