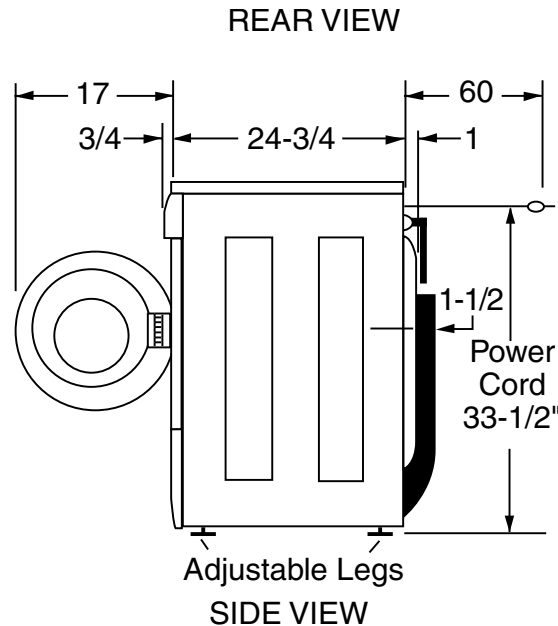
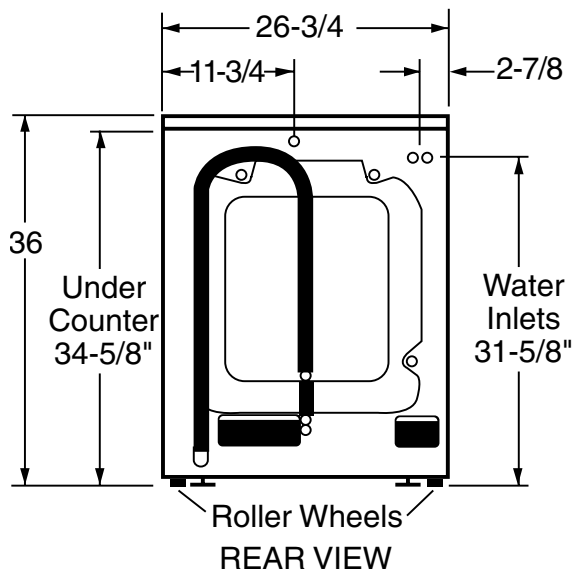




Profile™

WPXH214ACC/WW – GE Profile™ ENERGY STAR 3.1 Cu. Ft. Extra-Large Capacity Front-Loading Washer

Dimensions (in inches)



Circuit Requirements: An individual, properly-grounded branch circuit, with a three-prong grounding-type receptacle, protected by a 15 or 20 amp circuit breaker or a time-delay fuse, is required.

Electrical Rating: 120V, 60Hz, 12.0A

See Installation Instructions, packed with the product, for complete dimensional data.

Specification Revised 7/05
260202



Listed by
Underwriters
Laboratories



As an ENERGY STAR® partner, GE has determined that this product meets the ENERGY STAR guidelines for energy efficiency.

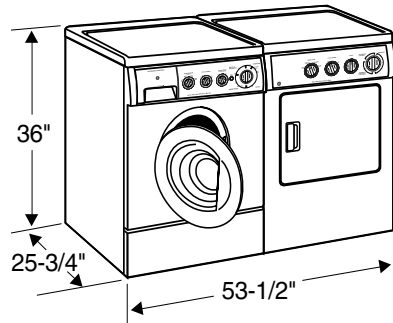
For answers to your Monogram®, GE Profile™ or GE appliance questions, visit our website at GEAppliances.com or call GE Answer Center® service, 800.626.2000.



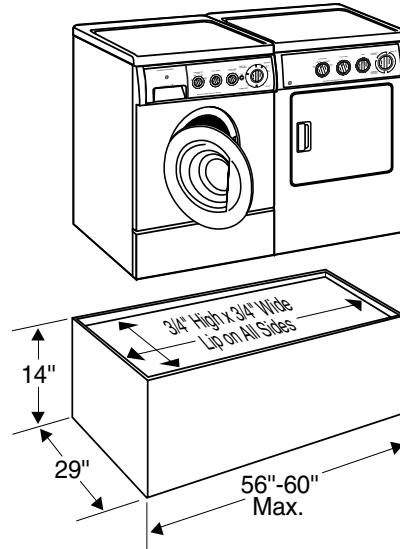
Profile™

WPXH214ACC/WW – GE Profile™ ENERGY STAR 3.1 Cu. Ft. Extra-Large Capacity Front-Loading Washer

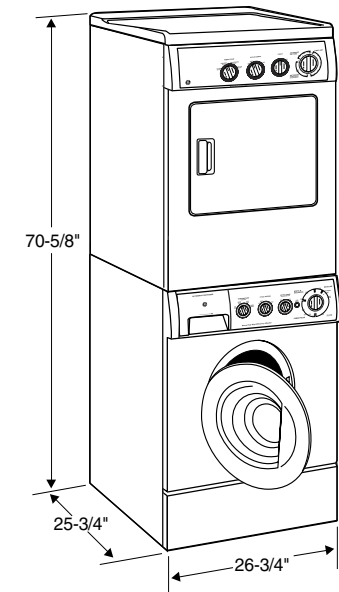
Free-Standing Installation



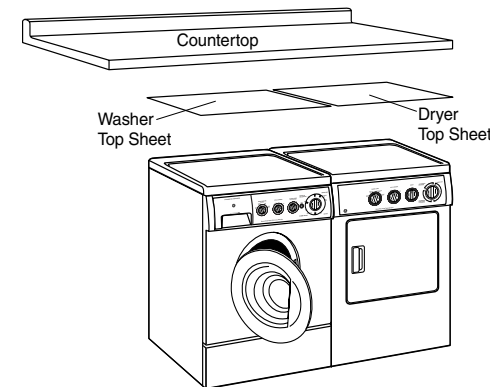
Raised/Built-In Installation



Stacked Installation



Undercounter Installation



Special Installation Requirements

Undercounter Installation

- Accessory mounting kits are required for undercounter installation. To order, call 1-800-848-7722.
- Washer – Order Pub. No. 14-A037
- Dryer – Order Pub. No. 14-A008

Stacked Installation

- Brackets for stacking dryer over washer are included with the dryer.

Alcove or Closet Installation

- If your dryer is approved for installation in an alcove or closet, it will be stated on a label on the dryer back.
- The dryer MUST be exhausted to the outdoors.
- Minimum clearances between dryer cabinet and adjacent walls or other surfaces are:
 - 0" either side
 - 3" front and rear
- Minimum vertical space from floor to overhead cabinets, ceilings, etc. is 52".

- Closet doors must be louvered or otherwise ventilated and must contain a minimum of 60 sq. in. of open area equally distributed. If this closet contains both a washer and a dryer, doors must contain a minimum of 120 sq. in. of open area equally distributed.
- The closet should be vented to the outdoors to prevent gas pocketing in case of a gas leak in the supply line.
- No other fuel-burning appliance shall be installed in the same closet with the dryer.

Bathroom or Bedroom Installation

- The dryer MUST be exhausted to the outdoors.
- The installation must conform with the local codes, or in the absence of local codes, with the National Fuel Gas Code, ANSI Z223.

Minimum Clearances other than Alcove or Closet Installations

- Minimum clearances to combustible surfaces:
 - 0" both sides
 - 3" rear

For more information on venting kits and accessories, please call 1-800-GE-CARES.



Listed by Underwriters Laboratories



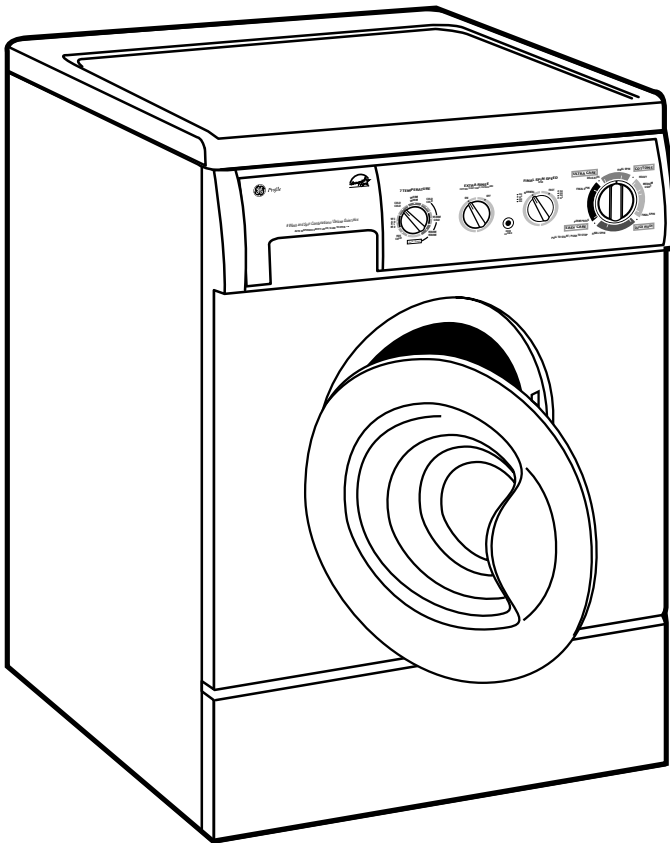
As an ENERGY STAR® partner, GE has determined that this product meets the ENERGY STAR guidelines for energy efficiency.

For answers to your Monogram®, GE Profile™ or GE appliance questions, visit our website at GEAppliances.com or call GE Answer Center® service, 800.626.2000.



Profile™

WPXH214ACC/WW – GE Profile™ ENERGY STAR 3.1 Cu. Ft. Extra-Large Capacity Front-Loading Washer



Features and Benefits

- Extra-Large (3.1 cu. ft.) Capacity
- Energy Star Rated
- ColorLogic™ 2000
- 14 Cycles:
 - Cottons with Heavy Soil, Medium Soil and Light Soil
 - Easy Care with Medium Soil/Permanent Press and Light Soil/Wrinkle Free
 - Delicate/Ultra Care
 - Quick Wash
- 3 Extra-Rinse Cycle/Auto Care
- AutoTemp
- 4 Final Spin/Speed Selections (950 Max Spin Speed)
- 7 Wash/Rinse Temperature Settings
- 4 Standard Rinse Cycles
- Automatic Water Level Adjustments
- Automatic Detergent, Bleach and Fabric Dispenser
- Fixed End-of-Cycle Signal
- Deluxe Noise Reduction Package
- Leveling Legs with Rear Rollers
- Stainless Steel Wash Drum
- Model WPXH214AWW – White on white
- Model WPXH214ACC – Bisque