



4.8 cu. ft. Top Load Washer

WTW7000D



White
WTW7000DW

Capacity

Total	4.8 cu. ft.
-------	-------------

General Features & Properties

Low-Profile Impeller

Estimated Time Remaining LED Display

Smooth Wave Stainless Steel Wash Basket

Quiet Wash Ultra Noise Reduction System

Quick Wash Cycle

Automatic Water Levels

ENERGY STAR® Certified

Presoak Option

4.8 cu. ft. Capacity

Electrical Details

Amps	15
------	----

Volts	120
-------	-----

Certifications

ENERGY STAR® Certified	Yes
------------------------	-----

Technical Details

Drum Material	Stainless Steel
---------------	-----------------

Wash Action	
-------------	--

Control Location	Rear Panel
------------------	------------

Control Type	Electronic
--------------	------------

Number of Cycles	26
------------------	----

Washer Cycle Selections	Clean Washer How to Wash: Normal, Quick, Cold, Deep Water, Color Last Rinse & Spin What to Wash: Mixed, Casuals, Whites, Delicates, Bulky/Sheets
-------------------------	--

Number of Options	7
-------------------	---

Washer Option Selections	Deep Clean Delay Wash End of Cycle Signal Extra Rinse Presoak Soil Level Spin Speed
--------------------------	--

Key Features & Benefits

Intuitive Touch Controls with Memory

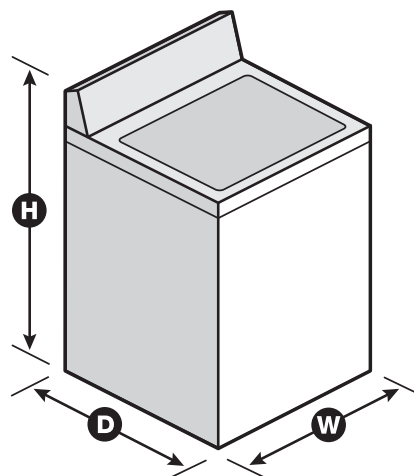
Intuitive Touch Controls with Memory allows you to ask the right questions. Easy “what” and “how” controls effortlessly help you create customized care for any mess by adjusting cycle water levels, wash actions and temperature.

Adaptive Wash Technology with Active Bloom™ Wash Action

It works to thoroughly saturate clothes with water and detergent by using advanced wash actions. This helps clothes wash against one another for gentler fabric care.

ColorLast™ Option

Give your most vibrant colors the care they need with our ColorLast™ option. It uses a precise combination of wash action, gentle temperatures and time to keep colors vibrant longer.*



Dimensions

Product Dimensions (H x W x D)	42-1/4" x 27-5/8" x 27-7/8"
--------------------------------	-----------------------------------

Height with Lid Open 90°	57"
--------------------------	-----

Reference Material

[Dimension Guide](#)

[Install Guide](#)

[Use & Care Guide](#)

[Energy Guide](#)

[Warranty](#)

*Compared to our pre-2009 agitator washer. NOTE: Dimensions are for planning purposes only. For complete details, see Installation Instructions packed with product. Specifications subject to change without notice.