

WZRE5260F

GE® King-size 3.5 Cu. Ft. Capacity Washer with Stainless Steel Basket

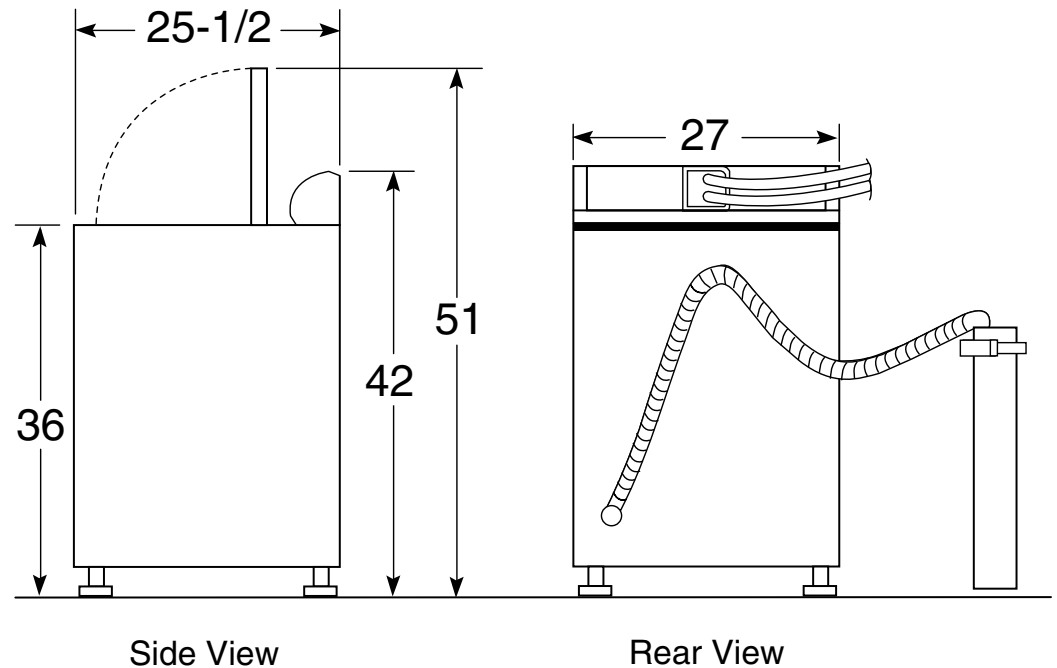
Dimensions and Installation Information (in inches)

Circuit Requirements: An individual, properly-grounded branch circuit, with a three-prong grounding-type receptacle, protected by a 15 or 20 amp circuit breaker or a time-delay fuse, is required.

Electrical Rating: 115V, 60Hz, 10A

Note: Washer wall outlet must be located within 36" of service code entry. Wall outlet must not be located behind dryer.

Installation Information: For complete information, see installation instructions packed with your washer.



For answers to your Monogram®, GE Profile™ or GE® appliance questions, visit our website at ge.com or call GE Answer Center® service, 800.626.2000.



WZRE5260F

GE® King-size 3.5 Cu. Ft. Capacity Washer with Stainless Steel Basket

Features and Benefits

- Stainless Steel Basket – It resists rust and won't chip, peel or snag clothes
- Rotary Electronic Controls with Cycle Status Lights – Make it easy to select and monitor wash cycles
- Five Wash/Spin Speed Combinations – Speeds are matched to fabric types for better clothes care
- 26 Wash Cycles – Deliver excellent cleaning results
- PerfectTemp – Regulates wash water temperatures for proper fabric care
- Bleach and Fabric Softener Dispensers – Solutions are automatically mixed with wash water for bright-soft-to-the-touch results
- Four Water Levels – Offers water and energy savings
- Auto 2nd Rinse – Helps to protect delicate fabrics and sensitive skin
- Model WZRE5260FGG – Granite gray

