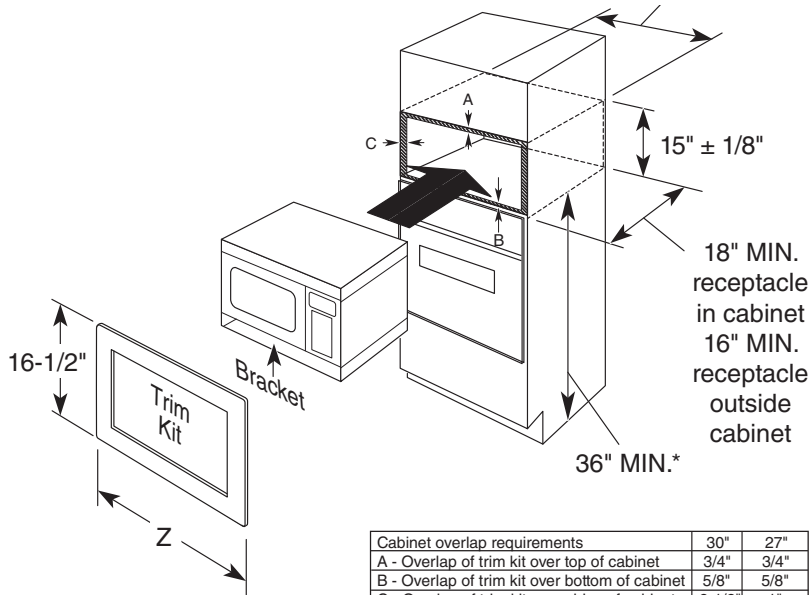




Monogram®

ZEM115SF – GE Monogram® 1.1 Cu. Ft. Microwave Oven

Dimensions and Specifications (in inches)



*For ADA compliance, the microwave must be installed no higher than 37-7/8\".

Note:
Allow an additional inch of clearance beyond trim frame on all sides

Cabinet overlap requirements	30"	27"
A - Overlap of trim kit over top of cabinet	3/4"	3/4"
B - Overlap of trim kit over bottom of cabinet	5/8"	5/8"
C - Overlap of trim kit over sides of cabinet	2-1/2"	1"

Accessory trim kits	Z	Max. Height	Trim kits
27" Deluxe	26-7/8"	16-1/2"	JX827SFSS JX827DFWW JX827DFBB
30" Deluxe	29-7/8"	16-1/2"	JX830SFSS JX830DFWW JX830DFBB

Product Dimensions:

H 12-1/8"

W 24"

D 12-7/8"

Cutout Dimensions:

H 15" ± 1/8"

W 24-7/8"

D 16" - 18"

Accessory Kits:

JX827SFSS or JX830SFSS is required for in-cabinet installation of Models ZEM115SF.

Note: When installed, trim kit will require wall space 26-1/4"W x 16-3/4"H for clearance.

Installation Option includes: ZEM115SF microwave oven built-in with a JX827SFSS or JX830SF trim kit above a Monogram 27" single wall oven.

This Monogram microwave oven requires a 120 volt, 60Hz power supply, protected by a time delay fuse or circuit breaker.

ZEM115 oven is supplied with a power cord 57" long for which a properly grounded 3-prong electrical receptacle is required.

800 watt oven ZEM115 draws 1300 watts, with a 11.5 amp load.



Listed by
Underwriters
Laboratories

For answers to your Monogram® GE Profile™ or GE appliance questions, visit our website at GEAppliances.com or call GE Answer Center® service, 800.626.2000.

Specification Created 8/13

140001



Monogram.

ZEM115SF – GE Monogram® 1.1 Cu. Ft. Microwave Oven



Features and Benefits

- 1.1 cu. ft. capacity - 800 Watts (IEC-705 test procedure)
- Sensor cooking controls - Automatically adjusts time and power
- Optional built-in trim kit - Custom appearance and built-in convenience
- Optional hanging kit - Frees up counter space
- Auto and time defrost - Defrosting times and power levels are programmed automatically or manually for optimal results
- Turntable on/off - Controls turntable operation
- Control lockout - Helps prevent accidental activation
- Add 30 seconds - Add 30 seconds of microwave cooking time
- Kitchen timer - Minute timer helps keep you on track
- Timer on/off - Minute timer helps keep you on track
- Model ZEM115SF – Stainless steel

*IEC-705 Test Procedure