

# MONOGRAM OUTDOORS

A GE MONOGRAM PUBLICATION

SPRING/SUMMER 2000

introducing **gourmet  
radiant™ trays**

three **homes**, three  
outdoor living **styles**

product **selection** guide

complete **planning** guide



# Gourmet grilling is always in season.

Grilling alfresco and gracious entertaining become all the more delightful with a Monogram® outdoor cooking center. A patio dinner for two, a weekend cookout for out-of-town guests, an impromptu poolside party for family and friends. Whatever the occasion, Monogram outdoor cooking centers make it easier and more pleasurable. Monogram makes every cooking experience memorable—both inside your home and out. The same exceptional quality and design that distinguish Monogram appliances for the kitchen and home also characterize our outdoor cooking product selection. The 2000 Monogram Outdoor Cooking Collection offers a selection of heavy-gauge 304 stainless steel gas cooking products designed for built-in or free-standing applications. Grill configurations range from the simple to the sophisticated—from a 24" two-burner grill to our 48" complete cooking center that joins three grill sections with a motorized rotisserie, separate smoker burner and an integrated two-burner cooktop for side dishes. Exceptional quality is a constant requirement at Monogram. Recent product enhancements in the new Monogram Outdoor Cooking Collection include a lifetime warranty on grill burners and an innovative grill system.





Monogram's exclusive Gourmet Radiant™ trays are designed to ensure food cooks consistently – making you consistently successful.

Available exclusively from Monogram, the new Gourmet Radiant™ trays are designed to help ensure perfect grilling results for every kind of cooking, meal after meal, season after season. Beneath cast-iron, porcelain-coated grill racks, the Gourmet Radiant trays sustain remarkably even heat. Using a unique, rounded arc shape, Gourmet Radiant trays reduce flare-ups from dripping juices and the heat pockets that cause uneven cooking and burning of foods. The outdoor collection lets you enjoy the same exceptional quality and performance of GE Monogram's renowned professional cooking products for the kitchen.

The powerful gas burners on the outdoor two-burner cooktop, for example, deliver design and construction equivalent to those found on Monogram professional ranges and cooktops. Create your own taste of the great outdoors, whether it's salmon fillets, golden glazed chicken breasts, or tenderloin kabobs. With Monogram, you don't have to compromise gourmet standards just because there's no "roof over your head".



# Golden

## opportunities

*A dream home inspired by nature – a landscape for zesty outdoor menus and great family times*



Details of the handsome commercial styling and superior performance of the professional cooktop in the Johnson's kitchen are also present on the 48" cooking center they built into their expansive patio-pool area outside. Both appliances feature powerful, spark-ignition, cast-iron burners with controls mounted on durable brass valves.

When Betty and Dave Johnson retired early, they decided to spend their golden years under sunny skies. On a ten-acre lot with views of green foothills in the foreground and old growth forest in the distance, they built their dream house.

With a large family of grown children and grandchildren scattered across the country, they gave their architect three requirements: plenty of bedrooms and full baths for visitors of all ages, a pool with a patio for built-in grills and outdoor meals, and a kitchen so beautiful and convenient to use that Betty would love every minute she spent there.

"I've always wanted to cook in a people-friendly place that wasn't all rigid right angles," she said. "We designed a wonderful interior work space that's very fluid, essentially the shape of an oval. The outer walls, where the Monogram® appliances are built-in to match cabinetry, create different planes and angles. It's always stimulating, every time I cook."

Between the great room and the patio, a walk-through pantry holds a well-stocked second refrigerator and plenty of open shelves

for snack foods, unbreakable outdoor dishes, as well as beverage cans and bottles. In the temperate climate, the patio and pool area is functional and accessible nearly all year long.

A dedicated gourmet griller, Dave selected GE Monogram's complete outdoor cooking center for the patio area. The 48" built-in grill has four 20,000-BTU porcelain-coated cast-iron burners and dual rotisserie burners, perfect for poultry.

The rotisserie's motorized "spit-roasting" process is ideal for sealing in natural juices and tastes when cooking poultry, roasts and larger meats. Meat bastes continually and evenly on a skewer rotating slowly in front of the intense infrared heat of ceramic tiles.

Both the grill and side burner have been built into an island that sustains the natural-toned color scheme. Trimmed in tumbled marble and finished with sand-toned tiles and wheat-gold painted stucco, the island uses colors that complement all of the fresh foods sizzling on the grill. ■



It's almost time to serve the Cornish hens, grilled asparagus and baby carrots from Dave's garden. "Our children have always loved vegetables," he said. "With so much fresh produce available year 'round, we can enjoy different vegetables at every meal for weeks at a time. Grilling is the perfect enhancement of natural flavors. The variable burners on this grill let me control the heat to prevent the overcooking that can happen so easily with tender vegetables."

# Lofty ideas

The best of both worlds—

city sophistication, outdoor country tastes

Thanks to farmers markets, green grocers and expanded produce offerings in supermarkets, city living doesn't mean you can't have lots of fresh country tastes. The Colbys use their kitchen's ample counterspace to quick-cut vegetables for grill kabobs and salads. Their all-Monogram kitchen has an added "roof extension" in a compact and portable 24" Monogram grill on the top of their loft building.

Lofts have gone mainstream. Loft-living, once considered edgy and avant-garde, is increasingly the real estate choice of adventurous city-dwellers across the country. Loft spaces large and small are attracting an eclectic group that includes young professionals, families and empty-nesters.

Loaded with character, light, and abundant square footage, this loft home opened a world of dramatic design possibilities when the Colbys acquired it as a "raw space." Carol, a freelance travel writer, and her photographer husband Phil immediately hired an artist as a design consultant during renovation.

The airy loft space offers ample ceiling height and square footage to accommodate a huge open kitchen. Cooking and color themes come together in the kitchen's bold design statement, a declaration as big as the space it fills. "We both love to cook and entertain," explained Carol. "Our GE Monogram® pieces are styled so elegantly, we were able to use them as stainless steel accents in the design plan."

As soon as the loft interior was finished, the Colbys installed a small brick terrace area on the roof of the building, one story above.

Surrounded by the "instant landscaping" of hearty potted trees and shrubs, colorful ceramic urns, an intimate cooking and eating area affords the couple a lovely outdoor setting all the way from April through November. Monogram's versatile 24" portable grill features two 15,000 BTU gas grill burners that provide intense heat to the 405 square-inch grilling area. Grilling in their private "roof room," as the sun sets over the city and hickory smoke sweetens the air, is the Colbys' favorite way to end the day. ■





# up on the roof

Versatile, compact, yet with a taste of the great outdoors, Monogram's portable 24" grill is an ideal choice for small spaces.

A 120-volt motor powers the rotisserie, while the intense heat from the stainless steel burners caramelizes the fats and juices brought to the surface of the meat. The high-heat is just right for searing swordfish steaks à la thyme, roasted potatoes and tender asparagus.

# TUSCAN hues

CLASSICAL STYLE, CONTINENTAL TASTES AND A  
FONDNESS FOR DINING ALFRESCO CHARACTERIZE  
THIS FAMILY'S RUSTIC PREFERENCES.



The versatile grill, conveniently portable, features 36 inches of grilling space, two powerful gas side burners and a rotisserie. Grilled vegetables from the large Nash garden are in steady demand all summer long.



Damask fabrics, Italian earthenware, painted pine floors, exposed brick walls, marble countertops. The textures and surfaces throughout the comfortable, eight-bedroom home of Polly and Tyler Nash are as blended as their family.

“Together we have six children, ranging from 19 to nine,” said Polly Nash. “They all live, and eat, under this roof. Dinner time is chaotic, and absolutely wonderful!”

The color scheme of subtly shaded neutrals and terra cotta reds in generous light-filled rooms recalls the earthy richness of Tuscany, where the family has vacationed twice.

Both Nashes like to cook. She enjoys baking on weekends with their daughters Nell and Ally. He loves grilling outdoors and thinking up new salads. Monogram’s versatile 48” grill with built-in dual-burner cooktop gives Tyler the flexibility to cook full-course meals easily. While meats and vegetables are grilling, he can warm sauces, marinades and side dishes on the cooktop’s gas burners. There’s also a built-in smoker burner for the wood chips. Fruitwoods such as hickory and pecan add a distinctive taste to the mixed grill kabobs Tyler recently created.

“Trimmed lamb chops, cubed sirloin steak, bundles of fresh green beans and asparagus tied with blanched green onions,” he said. “When I’m feeling energetic I add leeks, red onion, oyster mushrooms and baby summer squash. From the garden, of course.”

Connected to the main house by a charming courtyard of broken slate, the renovated carriage house serves many purposes. A rustic hideaway, the carriage house can

be a guest cottage when friends stay over, a teenagers’ paradise when the soccer team has a picnic by the pool, or a staging area for Tyler’s ambitious cookouts.

“With our selection of basic appliances, there is virtually no snack you can’t whip up,” Polly said. “That little kitchen is just as functional and carefully planned as the one in the main house. In the summer, we don’t see the older kids all day long. They love it there.” ■



**Top.** A custom-designed sideboard holds the built-in and much-used icemaker. Above, resting on wall-mounted scrolled brackets, Tuscan-style open shelves support bright, glazed crockery and a compact stainless steel microwave oven. The free-standing side-by-side refrigerator and component cooktop complete the convenience of the space. **Bottom.** Easily accessible from the food preparation area, Monogram’s 48” outdoor cooking center handles any kind of menu, even breads and pizzas. With the many hungry mouths to feed at most family picnics, it’s a relief to know burners ignite fast and dependably, day after day.



## 48" Outdoor Cooking Centers

A panorama of the mountains, sunset over the beach, a view of your flowering backyard. Enjoying the outdoors is half the pleasure when you grill or barbecue. And completing the picture is a 48" Monogram® gas grill, enhancing any outdoor cooking experience.

Almost anything you can cook on your Monogram kitchen cooktop, you can also prepare on this fully equipped outdoor cooking center. Monogram's exclusive Gourmet Radiant™ trays are especially designed to prevent grease flare-ups and heat pockets that can burn foods. Grill succulent lamb chops sealed with rosemary-Dijon mustard glaze. Melt provolone and avocado quesadillas. Simmer a dipping sauce of fresh dill, green onions and butter. The combination of high-performance features and capabilities handles any kind of menu, even breads and pizza!

The Monogram 48" outdoor cooking center offers a multitude of grill and cooktop options. The gas grill may be mounted on a free-standing portable cart or built into a cooking island or enclosure. With its durable, rust-free 304 stainless construction, it makes an impressive addition to any outdoor setting. The high-performance cast-iron burners are porcelain-coated and come with a limited lifetime warranty.\*

Choose the configuration that best suits your personal cooking style. If you grill or barbecue high-volume menus or large cuts of meat, fish or poultry, the full-width 48" gas grill with four burners, two rotisserie burners, one smoker burner and one warming rack offers the widest grilling surface. For more cooking flexibility, you may prefer the 48" gas grill with three burners, one rotisserie burner, one smoker burner, two cooktop burners and one warming rack.

### Features and installation information.

See pages 18 and 19.



*Top.* The cooktop grill's portable cart includes condiment bins on doors, a large, convenient shelf inside and sleekly-styled wheels. A smooth-sliding shelf allows easy access to the liquid propane tank.

*Bottom.* For ultimate outdoor cooking versatility of side dishes, sauces and other pan-prepared foods, install a separate dual-burner cooktop in your patio setting, to complement the full size 48" grill.



**ZGG48N42CSS** 48" gas grill with 4 grill burners, 2 rotisserie burners, 1 smoker, 1 warming rack (*natural gas*)

**ZGG48L42CSS** 48" gas grill with 4 grill burners, 2 rotisserie burners, 1 smoker, 1 warming rack, 1 liquid propane tank (*liquid propane*)

**Dual rotisserie burners.** Two rear-mounted ceramic burners are independently controlled, offering additional cooking versatility.

**Also available, special order only:**

**ZGG48N40CSS** 48" gas grill with 4 grill burners, 1 smoker (*natural gas*)

**ZGG48L40CSS** 48" gas grill with 4 grill burners, 1 smoker, 1 liquid propane tank (*liquid propane*)



**ZGG48N31CSS** 48" gas grill with 3 grill burners, 1 rotisserie burner, 1 smoker, 2 cooktop burners, 1 warming rack (*natural gas*)

**ZGG48L31CSS** 48" gas grill with 3 grill burners, 1 rotisserie burner, 1 smoker, 2 cooktop burners, 1 warming rack, 1 liquid propane tank (*liquid propane*)

**Two porcelain-coated cast-iron cooktop burners.** Two 15,000-BTU burners, with a cast iron grate and protective stainless steel cover, allow you to prepare side dishes while grilling the entrée.

**Also available, special order only:**

**ZGG48N30CSS** 48" gas grill with 3 grill burners, 1 smoker, 2 cooktop burners (*natural gas*)

**ZGG48L30CSS** 48" gas grill with 3 grill burners, 1 smoker, 2 cooktop burners, 1 liquid propane tank (*liquid propane*)

## General Features

**Gourmet Radiant trays.** Beneath the grill racks these uniquely designed trays sustain even heat distribution. They reduce grease flare-ups, eliminate the need for lava rocks or briquettes and remove easily for cleanup.

**Porcelain-coated cast-iron grill burners.** 20,000 BTU“H” burners provide an even intense heat to the entire grilling area.

**Heavy-duty grill racks.** The heavy, heat-retaining grill racks are porcelain enameled for easy cleaning, and long life.

**Burner baffles.** Grill burners are baffled to reflect heat into the cooking zone. The baffles slope downward, directing drippings into a tray that slides out for removal and cleaning.

**Rotary igniters.** Burner igniters produce multiple sparks that fire up the grill quickly and dependably.

**Sturdy, safe controls.** Childproof, push-to-turn knobs rotate for precise control of burner output.

**Brass valves.** Burner controls are mounted on durable brass valves, ensuring long life in an outdoor environment.

**Infrared rotisserie system.** A ceramic 14,000 BTU infrared burner, mounted behind the motorized rotisserie, reaches cooking temperature in just 30 seconds, providing the intense heat needed for searing meats and poultry.

**Built-in smoker system.** The built-in system includes an independent 5,000 BTU burner with variable temperature control and a full-extension slide-out drawer for wood chips. The smoldering chips impart a rich, woody flavor to foods prepared on the grill or rotisserie.

**Slide-out drip tray.** The stainless-steel drip tray below the grill and cooktop burners collects grease and spills and slides out for easy cleaning.

*\*See written warranty for complete details.*





## 36" Outdoor Cooking Centers

Monogram® cooking centers are available in a choice of configurations, allowing you to select the performance features that match your cooking preferences. Grill features include high-performance gas burners, motorized rotisserie with a dedicated ceramic burner, separate smoker burners with full-extension drawers, dual-burner cooktops and warming racks.

The 36" model is a complete, self-contained cooking center that lets you prepare an entire meal on the grill. Use the gas rotisserie burner to keep the Thanksgiving turkey moist and flavorful or grill skewers of chicken, veal and vegetable kabobs over a medium flame for even heat and golden color. Tender fillet mignon steaks won't burn with Monogram's exclusive Gourmet Radiant™ trays, especially designed to prevent grease flare-ups and the heat pockets that can burn foods – and “scorch” your entertainment plans.

Monogram cooking centers may be mounted on a convenient rolling cart or installed in a cooking island or enclosure of your outdoor area. All Monogram cooking centers can be operated with liquid propane or natural gas, according to your model selection.

### Features and installation information.

See pages 20 and 21.



*Top.* The grill's powerful porcelain-coated cast-iron burners offer the design and quality equivalent to the burners on our professional cooking products for the kitchen. The cooktop has two 15,000-BTU burners, ideal for cooking side dishes or sauces while you grill the entrée.

*Bottom.* Grilling a la carte? Monogram's practical touches include side shelves to extend your work space, condiment bins on doors, a large, convenient shelf inside and sleekly-styled wheels. A smooth-sliding shelf gives full access to the liquid propane tank.



**ZGG36N31CSS** 36" gas grill with 3 grill burners, 1 rotisserie burner, 1 smoker, 1 warming rack (*natural gas*)

**ZGG36L31CSS** 36" gas grill with 3 grill burners, 1 rotisserie burner, 1 smoker, 1 warming rack, 1 liquid propane tank (*liquid propane*)

**Also available, special order only:**

**ZGG36N30CSS** 36" gas grill with 3 grill burners, 1 smoker (*natural gas*)

**ZGG36L30CSS** 36" gas grill with 3 grill burners, 1 smoker, 1 liquid propane tank (*liquid propane*)



**ZGG36N21CSS** 36" gas grill with 2 grill burners, 1 rotisserie burner, 1 smoker, 2 cooktop burners, 1 warming rack (*natural gas*)

**ZGG36L21CSS** 36" gas grill with 2 grill burners, 1 rotisserie burner, 1 smoker, 2 cooktop burners, 1 warming rack, 1 liquid propane tank (*liquid propane*)

**Two porcelain-coated cast-iron cooktop burners.** Two 15,000-BTU burners, with a cast iron grate and protective stainless steel cover, allow you to prepare side dishes while grilling the entrée.

**Also available, special order only:**

**ZGG36N20CSS** 36" gas grill with 2 grill burners, 1 smoker, 2 cooktop burners (*natural gas*)

**ZGG36L20CSS** 36" gas grill with 2 grill burners, 1 smoker, 2 cooktop burners, 1 liquid propane tank (*liquid propane*)

## General Features

**Gourmet Radiant trays.** Beneath the grill racks these uniquely designed trays sustain even heat distribution. They reduce grease flare-ups, eliminate the need for lava rocks or briquettes and remove easily for cleanup.

**Porcelain-coated cast-iron grill burners.** 20,000 BTU"H" burners provide an even intense heat to the entire grilling area.

**Heavy-duty grill racks.** The heavy, heat-retaining grill racks are porcelain enameled for easy cleaning, and long life.

**Burner baffles.** Grill burners are baffled to reflect heat into the cooking zone. The baffles slope downward, directing drippings into a tray that slides out for removal and easy cleaning.

**Rotary igniters.** Burner igniters provide multiple sparks that fire up the grill quickly and dependably.

**Sturdy, safe controls.** Childproof, push-to-turn knobs rotate for precise control of burner output.

**Brass valves.** Burner controls are mounted on durable brass valves, ensuring long life in an outdoor environment.

**Infrared rotisserie system.** A ceramic infrared burner, mounted behind the motorized rotisserie, reaches cooking temperature in just 30 seconds, providing the intense heat needed for searing meats and poultry.

**Built-in smoker system.** The built-in system includes an independent 5,000 BTU burner with variable temperature control and a full-extension slide-out drawer for wood chips. The smoldering chips impart a rich, woody flavor to foods prepared on the grill or rotisserie.

**Slide-out drip tray.** The stainless-steel drip tray below the grill and cooktop burners collects grease and spills and slides out for easy cleaning.





## **27" and 24" Outdoor Cooking Centers and Dual-Burner Cooktops**

Monogram® 27" and 24" cooking centers are compactly designed, yet offer the grilling versatility and exceptional performance of our larger models. Each may be built into a cooking island or mounted on a convenient portable cart. These stainless steel grills are handsomely styled and enhance any cooking area – and your gourmet skills, too.

The 27" model is available with or without a rotisserie to accommodate your preferred style of grilling and barbecuing. This model accepts the optional dual-burner cooktop, which may be attached to the 27" cart. All 27" units include Monogram's exclusive Gourmet Radiant™ trays, a unique cooking system that eliminates the need for lava rocks or briquettes (and the hassle of replacing them periodically). Gourmet Radiant trays sustain even heat distribution and reduce flare-ups from dripping juices, helping to ensure meats and vegetables are cooked exactly as you want them – every time.

Monogram's 24" outdoor cooking center has two 15,000-BTU gas grill burners. Heavy-duty grill grates are porcelain-enameled for easy cleanup. The grates cover heat-radiating ceramic briquettes that provide constant and even temperatures. Easy-to-light igniters spark quickly, day after day. Monogram's signature tubular handle is mounted on the durable stainless steel grill lid, which closes for smoker cooking, and to protect the grill when not in use.

The dual-burner outdoor cooktop provides a separate cooking surface for side dishes and other pan-prepared foods while you grill the entrée. Or use it alone when you just want to enjoy simple food fare cooked in the great outdoors. The cooktop can be built into your customized outdoor island or attached to 27" Monogram cooking center carts.

### **Features and installation information.**

See pages 22 and 23.



*Top.* The 27" cooking center, with the dual-burner cooktop attached to the portable cart, packs plenty of grilling power into a compact unit.

*Bottom.* On the 24" grill, the burner is positioned to allow the placement of the rotisserie basting pan beneath the food to collect juices and drippings – essential ingredients for perfect gravy!



**ZGG27N21CSS** 27" gas grill with 2 grill burners, 1 rotisserie burner, 1 warming rack (*natural gas*)

**ZGG27L21CSS** 27" gas grill; 2 grill burners, 1 rotisserie burner, 1 warming rack, 1 liquid propane tank (*liquid propane*)

**Also available, special order only:**

**ZGG27N20CSS** 27" gas grill with 2 grill burners (*natural gas*)

**ZGG27L20CSS** 27" gas grill with 2 grill burners, 1 liquid propane tank (*liquid propane*)

**Gourmet Radiant trays.** Beneath the grill racks these uniquely designed radiants sustain even heat distribution. They reduce grease flare-ups, eliminate the need for lava rocks or briquettes and remove easily for cleanup.

**Burner baffles.** Grill burners are baffled to reflect heat into the cooking zone. The baffles slope downward, directing drippings into a tray that slides out for removal and cleaning.

**Infrared rotisserie system.** A ceramic 14,000 BTU infrared burner, mounted behind the motorized rotisserie, reaches cooking temperature in just 30 seconds, providing the intense heat needed for searing meats and poultry.

**Slide-out drip tray.** The stainless-steel drip tray below the grill burners collects grease and spills and slides out for easy cleaning.

**Cast-iron grill burners.** Two 20,000 BTU "H" burners provide an even intense heat to the entire grilling area.



**ZGG24L20BSS** 24" gas grill with 2 grill burners, 1 rotisserie (*liquid propane*)

Natural Gas conversion Kit available.

**Stainless steel burners.** Two 15,000 BTU burners provide durability and intense heat to the grilling area.

**Built-in rotisserie burner.** The rear ceramic briquettes radiate heat from the rear burner, for rotisserie cooking.

**Precision brass valves.** Controls are mounted on durable, brass valves that resist rust and corrosion, ensuring long life in an outdoor environment.

**Rotary igniters.** Burner igniters provide multiple sparks that fire up the grill quickly and dependably.



**ZX2NYSS** Dual burner outdoor cooktop (*natural gas*)

**ZX2LYSS** Dual burner outdoor cooktop (*liquid propane*)

**Dual burners.** The double-burner gas cooktop provides two additional cooking surfaces with independent controls.

**Porcelain-coated cast iron burners.** The spark-ignition burners are 15,000 BTU-rated, and come with a removable stainless steel cover that doubles as a work surface. Burners are baffled to reflect heat into the cooking area.

**Infinite control.** Childproof, push-to-turn knobs rotate for precise control of burner output.

**Precision brass valves.** Controls are mounted on durable, brass valves that resist rust and corrosion, ensuring long life in an outdoor environment.

**Drip pan.** The full-width stainless steel pan slides out easily for removal and cleaning.

**Versatile installation.** The dual-burner cooktops are designed to be built-in or added to the 27" cart.



## GE Monogram Outdoor Cooking Center Accessories

### Carts

Monogram® stainless-steel carts offer the flexibility of a portable outdoor cooking center when a built-in installation is not desired. Carts come preassembled.

**Accessible liquid propane tank.** A smooth-sliding drawer allows full access to the liquid propane tank on 48" and 36" carts.

**Fold-down shelf.** Convenient fold-down side shelves on 48", 36" and 27" carts extend workspace and provide extra room for cooking utensils. (The 27" cart has one shelf.)

**Inside storage.** Ample storage is provided from two convenient condiment bins to hold grilling necessities. (Shown below on the 36" model.) In addition, each cart has a large shelf for storing utensils, serving trays, or a bag of your favorite wood chips.

**Mobility.** Smooth-rolling, sleekly-styled wheels make it easy to position the grill. Casters lock in place to ensure a stable cooking area.



Condiment bins and storage shelf.



Easy access liquid propane tank drawer.



ZX48CTACSS 48" Cart



ZX36CTACSS 36" Cart

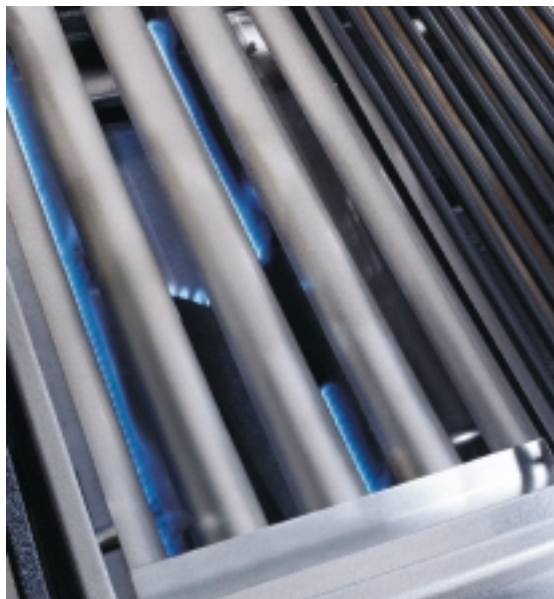


ZX27CTACSS 27" Cart



ZX24CTBSS 24" Cart

### Gourmet Radiant™ Trays



**Gourmet Radiant trays.** Beneath the grill racks these uniquely designed trays sustain even heat distribution. They reduce grease flare-ups, eliminate the need for lava rocks or briquettes and remove easily for cleanup. *(Available on 48", 36" and 27" models.)*

### Storage Area Doors

**ZXADYSS** Double doors for 48", 36", 27" and 24" built-in island or enclosure.

**ZXSDBSS** Single door for 24" built-in island or enclosure.

**Stainless steel.** The access doors are made of 304 stainless steel, to coordinate with any Monogram outdoor cooking center.

**Secure closing.** A positive latch ensures flush and secure closure.

**Large opening.** Doors in the open position provide a full view and easy access to the storage area.

### Vinyl Covers

**Rugged and soft.** The durable vinyl exterior withstands the elements, and the soft, felt lining helps protect the surface of the outdoor cooking center.

**Custom-tailored.** Covers are customized to the design of each Monogram outdoor cooking center and specifically to a built-in or portable installation. Please review the specification charts for cover options.

### Insulated Jackets

**ZX48JYSS** Insulated jacket for 48" cooking centers

**ZX36JYSS** Insulated jacket for 36" cooking centers

**ZX27JYSS** Insulated jacket for 27" cooking centers

**ZX24JBSS** Insulated jacket for 24" cooking centers

**ZX2JYSS** Insulated jacket for dual burner outdoor cooktop

**Safety shield.** The insulated jacket shields combustible cabinetry from the heat generated by the grill or dual-burner cooktop.

**Stainless steel construction.** 304 stainless steel provides strength, stability, and durability.

**High-quality insulation.** The protective jacket is filled with rigid insulation that serves as a safety shield for combustible cabinetry.

### Hose Kits

72" and 144" Quick Disconnect Hose kits are available for Natural Gas Installations. Please review the specification charts on pages 18-23 for each model.

### Trim Kits

**ZX27TKYSS** 27" Built-in grill installation

**ZX2TKYSS** Side burner built-in installation

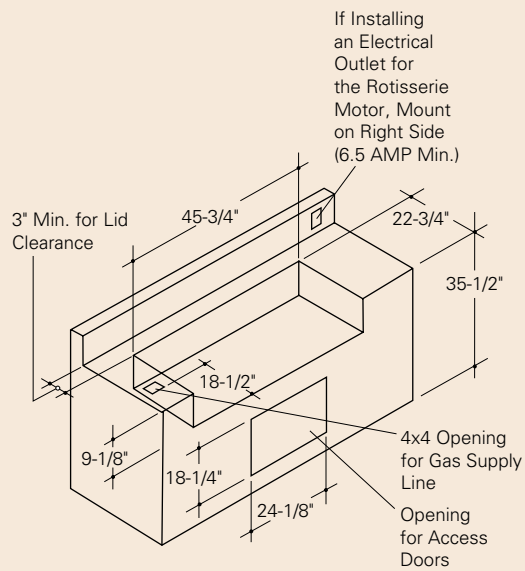
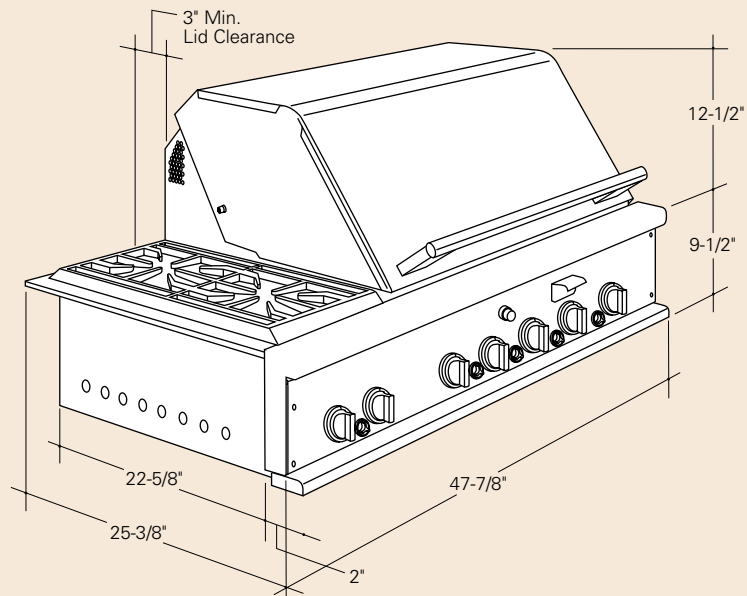
**ZX24TKBSS** 24" Built-in grill installation



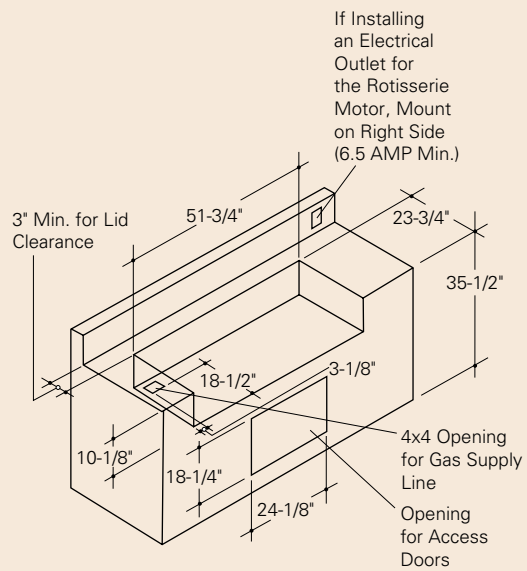
## 48" Outdoor Cooking Centers

ZGG48N42CSS, ZGG48L42CSS, ZGG48N40CSS, ZGG48L40CSS, ZGG48N31CSS, ZGG48L31CSS, ZGG48N30CSS and ZGG48L30CSS 48" Outdoor Cooking Centers

Note: Reference pub. no. 49-80009, Monogram Outdoor Cooking Center Installation Instructions, for complete details.  
Reference pub. no. 49-80008, Monogram Outdoor Cooking Center Cart Installation Instructions, for complete details.



For installation using non-combustible materials.



For installation using combustible materials.  
Requires ZX48JYSS insulated jacket.

## 48" Outdoor Cooking Centers

|  | ZGG48N42CSS<br>ZGG48L42CSS  | ZGG48N40CSS*<br>ZGG48L40CSS*                    | ZGG48N31CSS<br>ZGG48L31CSS  | ZGG48N30CSS*<br>ZGG48L30CSS*                                       | ZX2NYSS<br>ZX2LYSS          |
|--|---|---|---|--|-----------------------------|
| <b>Description</b>                                     |   |   |   |  |                             |
|  | 48" Outdoor Cooking Center with 4 Grill Burners, 2 Rotisserie Burners | 48" Outdoor Cooking Center with 4 Grill Burners | 48" Outdoor Cooking Center with 3 Grill Burners, 2 Cooktop Burners, 1 Rotisserie Burner | 48" Outdoor Cooking Center with 3 Grill Burners, 2 Cooktop Burners | Dual Burner Outdoor Cooktop |
| <b>Performance</b>                                     |   |   |   |  |                             |
| 20,000 BTU Cast-Iron Gas Grill Burners                 | 4   | 4   | 3   | 3  |                             |
| 14,000 BTU Infrared Gas Rotisserie Burner              | 2   |   | 1   |  |                             |
| 5,000 BTU Stainless Steel Gas Smoker Burner            | •   | •   | •   | •  |                             |
| 15,000 BTU Cast-Iron Gas Cooktop Burners               |   |   | 2   | 2  | 2                           |
| Gourmet Radiant Trays                                  | •   | •   | •   | •  |                             |
| Brass Control Valves                                   | •   | •   | •   | •  | •                           |
| Rotary Multi-Spark Piezo Ignition                      | •   | •   | •   | •  | •                           |
| <b>Convenience</b>                                     |   |   |   |  |                             |
| Steel, Porcelain-Enameled Grill Grates                 | •   | •   | •   | •  |                             |
| Cast-Iron, Porcelainized Cooktop Burner Grates         |   |   | •   | •  | •                           |
| Warming Rack   | •   |   | •   |  |                             |
| Stainless-Steel, Slide-Out Drip Tray                   | •   | •   | •   | •  | •                           |
| <b>Appearance</b>                                      |   |   |   |  |                             |
| Color Appearance                                       | Stainless-Steel   | Stainless-Steel                                 | Stainless-Steel   | Stainless-Steel  | Stainless-Steel             |
| Stainless-Steel Cooktop Burner Cover                   |   |   | •   | •  | •                           |
| <b>Accessories</b>                                     |   |   |   |  |                             |
| Trim Kit for Built-In Installation                     | N/A   | N/A   | N/A   | N/A  | ZX2TKYSS                    |
| Double Stainless-Steel Doors for Built-In Installation | ZXADYSS   | ZXADYSS   | ZXADYSS   | ZXADYSS  |                             |
| Insulated Jacket                                       | ZX48JYSS  | ZX48JYSS  | ZX48JYSS  | ZX48JYSS   | ZX2JYSS                     |
| Stainless-Steel Cart                                   | ZX48CTACSS  | ZX48CTACSS                                      | ZX48CTACSS  | ZX48CTACSS   |                             |
| LP Gas Tank  | •   | •   | •   | •  |                             |
| 72" Quick Disconnect Hose for Natural Gas              | ZX72HKY   | ZX72HKY   | ZX72HKY   | ZX72HKY  |                             |
| 144" Quick Disconnect Hose for Natural Gas             | ZX144HKY  | ZX144HKY  | ZX144HKY  | ZX144HKY   |                             |
| Felt-Lined Vinyl Cover for Built-In Installations      | ZX48CV4Y  | ZX48CV4Y  | ZX48CV3Y  | ZX48CV3Y   |                             |
| Felt-Lined Vinyl Cover for Portable Installations      | ZX48CVCC  | ZX48CVCC  | ZX48CVCC  | ZX48CVCC   |                             |
| <b>General Features</b>                                |   |   |   |  |                             |
| Fuel Configuration                                     | Natural Gas<br>LP Gas   | Natural Gas<br>LP Gas                           | Natural Gas<br>LP Gas   | Natural Gas<br>LP Gas  | Natural Gas<br>LP Gas       |
| Overall Dimensions (WxHxD in inches)                   | 47-7/8 x 22 x 25-3/8  | 47-7/8 x 22 x 25-3/8                            | 47-7/8 x 22 x 25-3/8  | 47-7/8 x 22 x 25-3/8   | 13 x 10-1/2 x 25-3/4        |
| Total Grill Area (sq. in.)                             | 924   | 924   | 693   | 693  |                             |
| 120 Volt Rotisserie Motor                              | •   |   | •   |  |                             |
| Approx. Shipping Weight (lbs.)                         | 330   | 320   | 300   | 290  | 56                          |
| Full One-Year Warranty**                               | •   | •   | •   | •  | •                           |
| Additional 4-Year Warranty**                           | •   | •   | •   | •  | •                           |
| Lifetime Grill Burner Warranty**                       | •   | •   | •   | •  | •                           |

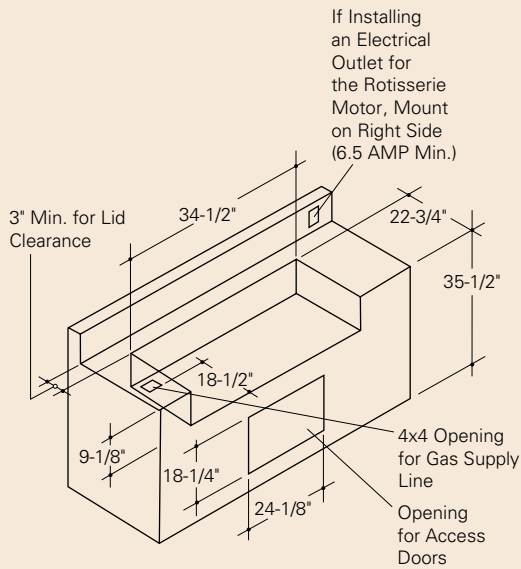
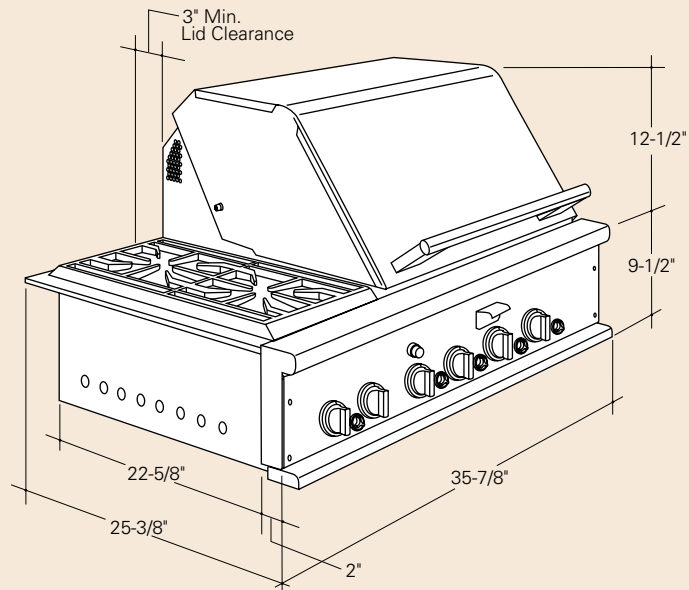
\*Special order only.  
\*\*See written warranty for details.



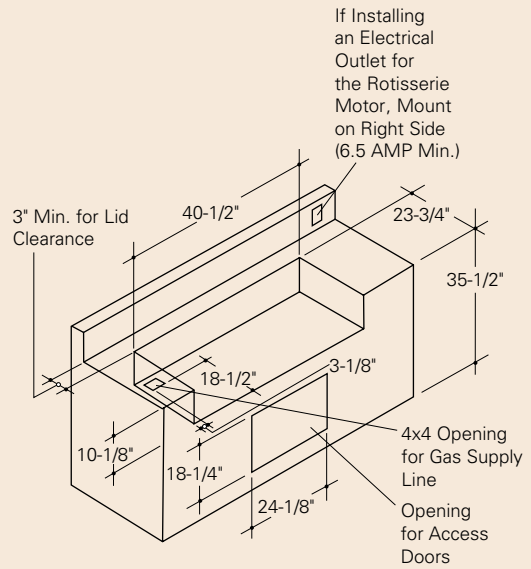
## 36" Outdoor Cooking Centers

ZGG36N31CSS, ZGG36L31CSS, ZGG36N30CSS, ZGG36L30CSS, ZGG36N21CSS, ZGG36L21CSS, ZGG36N20CSS and ZGG36L20CSS 36" Outdoor Cooking Centers

Note: Reference pub. no. 49-80009, Monogram Outdoor Cooking Center Installation Instructions, for complete details.  
Reference pub. no. 49-80008, Monogram Outdoor Cooking Center Cart Installation Instructions, for complete details.



For installation using non-combustible materials.



For installation using combustible materials.  
Requires ZX36JYSS insulated jacket.

## 36" Outdoor Cooking Centers

|  | ZGG36N31CSS<br>ZGG36L31CSS   | ZGG36N30CSS*<br>ZGG36L30CSS*                    | ZGG36N21CSS<br>ZGG36L21CSS  | ZGG36N20CSS*<br>ZGG36L20CSS*                                       | ZX2NYSS<br>ZX2LYSS          |
|--|--|---|---|--|-----------------------------|
| <b>Description</b>                                     |  |   |   |  |                             |
|  | 36" Outdoor Cooking Center with 3 Grill Burners, 1 Rotisserie Burner | 36" Outdoor Cooking Center with 3 Grill Burners | 36" Outdoor Cooking Center with 2 Grill Burners, 2 Cooktop Burners, 1 Rotisserie Burner | 36" Outdoor Cooking Center with 2 Grill Burners, 2 Cooktop Burners | Dual Burner Outdoor Cooktop |
| <b>Performance</b>                                     |  |   |   |  |                             |
| 20,000 BTU Cast-Iron Gas Grill Burners                 | 3  | 3   | 2   | 2  |                             |
| 14,000 BTU Infrared Gas Rotisserie Burner              | 1  |   | 1   |  |                             |
| 5,000 BTU Stainless Steel Gas Smoker Burner            | •  | •   | •   | •  |                             |
| 15,000 BTU Cast-Iron Gas Cooktop Burners               |  |   | 2   | 2  | 2                           |
| Gourmet Radiant Trays                                  | •  | •   | •   | •  |                             |
| Brass Control Valves                                   | •  | •   | •   | •  | •                           |
| Rotary Multi-Spark Piezo Ignition                      | •  | •   | •   | •  | •                           |
| <b>Convenience</b>                                     |  |   |   |  |                             |
| Steel, Porcelain-Enameled Grill Grates                 | •  | •   | •   | •  |                             |
| Cast-Iron, Porcelainized Cooktop Burner Grates         |  |   | •   | •  | •                           |
| Warming Rack   | •  |   | •   |  |                             |
| Stainless-Steel, Slide-Out Drip Tray                   | •  | •   | •   | •  | •                           |
| <b>Appearance</b>                                      |  |   |   |  |                             |
| Color Appearance                                       | Stainless-Steel  | Stainless-Steel                                 | Stainless-Steel   | Stainless-Steel  | Stainless-Steel             |
| Stainless-Steel Cooktop Burner Cover                   |  |   | •   | •  | •                           |
| <b>Accessories</b>                                     |  |   |   |  |                             |
| Trim Kit for Built-In Installation                     | N/A  | N/A   | N/A   | N/A  | ZX2TKYSS                    |
| Double Stainless-Steel Doors for Built-In Installation | ZXADYSS  | ZXADYSS   | ZXADYSS   | ZXADYSS  |                             |
| Insulated Jacket                                       | ZX36JYSS   | ZX36JYSS  | ZX36JYSS  | ZX36JYSS   | ZX2JYSS                     |
| Stainless-Steel Cart LP Gas Tank                       | ZX36CTACSS   | ZX36CTACSS                                      | ZX36CTACSS  | ZX36CTACSS   |                             |
| 72" Quick Disconnect Hose for Natural Gas              | •  | •   | •   | •  |                             |
| 72" Quick Disconnect Hose for Natural Gas              | ZX72HKY  | ZX72HKY   | ZX72HKY   | ZX72HKY  |                             |
| 144" Quick Disconnect Hose for Natural Gas             | ZX144HKY   | ZX144HKY  | ZX144HKY  | ZX144HKY   |                             |
| Felt-Lined Vinyl Cover for Built-In Installations      | ZX36CV3Y   | ZX36CV3Y  | ZX36CV2Y  | ZX36CV2Y   |                             |
| Felt-Lined Vinyl Cover for Portable Installations      | ZX36CVCC   | ZX36CVCC  | ZX36CVCC  | ZX36CVCC   |                             |
| <b>General Features</b>                                |  |   |   |  |                             |
| Fuel Configuration                                     | Natural Gas<br>LP Gas  | Natural Gas<br>LP Gas                           | Natural Gas<br>LP Gas   | Natural Gas<br>LP Gas  | Natural Gas<br>LP Gas       |
| Overall Dimensions (WxHxD in inches)                   | 35-7/8 x 22 x 25-3/8   | 35-7/8 x 22 x 25-3/8                            | 35-7/8 x 22 x 25-3/8  | 35-7/8 x 22 x 25-3/8   | 13 x 10-1/2 x 25-3/4        |
| Total Grill Area (sq. in.)                             | 693  | 693   | 462   | 462  |                             |
| 120 Volt Rotisserie Motor                              | •  |   | •   |  |                             |
| Approx. Shipping Weight (lbs.)                         | 250  | 240   | 250   | 240  | 56                          |
| Full One-Year Warranty**                               | •  | •   | •   | •  | •                           |
| Additional 4-Year Warranty**                           | •  | •   | •   | •  | •                           |
| Lifetime Grill Burner Warranty**                       | •  | •   | •   | •  |                             |

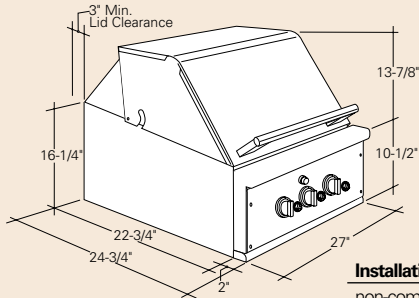
\*Special order only.  
\*\*See written warranty for details.



## 27" and 24" Outdoor Cooking Centers

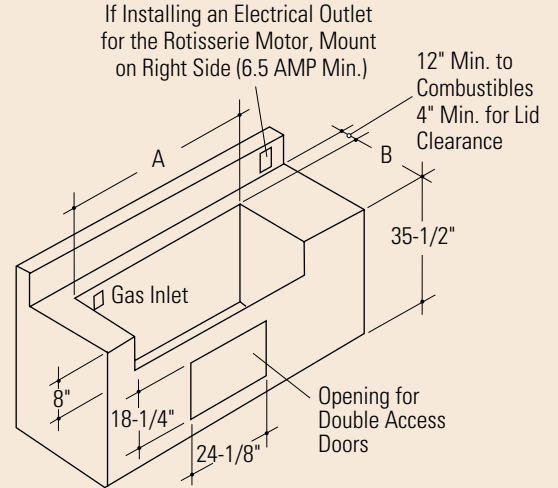
### ZGG27N21CSS, ZGG27L21CSS, ZGG27N20CSS and ZGG27L20CSS 27" Outdoor Cooking Centers

Note: Reference pub. no. 49-80009, Monogram Outdoor Cooking Center Installation Instructions, for complete details. Reference pub. no. 49-80007, Monogram Outdoor Cooking Center Cart Installation Instructions, for complete details.



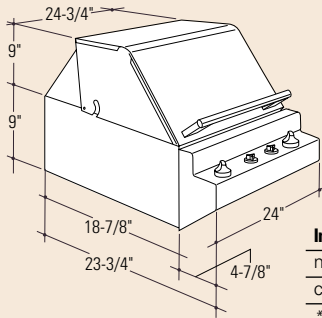
| Installation              | Dim. A   | Dim. B |
|---------------------------|----------|--------|
| non-combustible materials | 27-3/8"  | 23"    |
| combustible materials     | 33-3/8** | 24"    |

\*Requires ZX27JYSS insulated jacket.



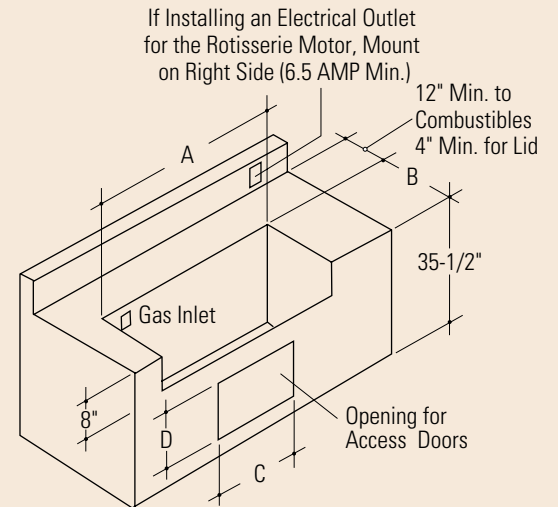
### ZGG24L20BSS 24" Outdoor Cooking Center

Note: Reference pub. no. 49-8966-1, Monogram Outdoor Cooking Center Installation Instructions, for complete details. Reference pub. no. 49-8007, Monogram Outdoor Cooking Center Cart Installation Instructions, for complete details.



| Installation              | Dim. A   | Dim. B  |
|---------------------------|----------|---------|
| non-combustible materials | 24-1/2"  | 19"     |
| combustible materials     | 25-3/4** | 19-1/2" |

\*Requires ZX24JBSS insulated jacket.

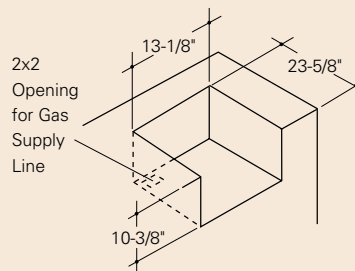
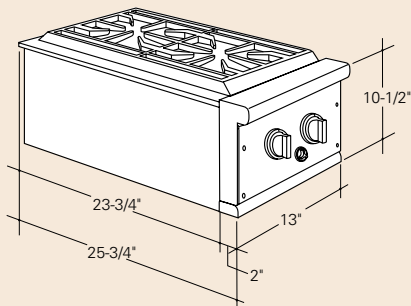


| Installation | Dim. C  | Dim. D  |
|--------------|---------|---------|
| double door  | 24-1/8" | 28-1/4" |
| single door  | 22"     | 20"     |

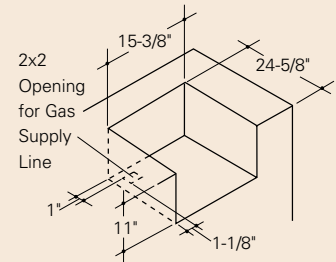
## GE Monogram Dual Burner Outdoor Cooktops

### ZX2NYSS and ZX2LYSS Dual Burner Outdoor Cooktops

Note: Reference pub. no. 49-8842-1, Monogram Outdoor Cooktop Installation Instructions, for complete details.



For installation using non-combustible materials.



For installation using combustible materials. Requires ZX2JYSS insulated jacket.

## 27" and 24" Outdoor Cooking Centers

|   | ZGG27N21CSS<br>ZGG27L21CSS   | ZGG27N20CSS*<br>ZGG27L20CSS*                    | ZGG24L20BSS   | ZX2NYSS<br>ZX2LYSS          |
|---|--|---|---|-----------------------------|
| <b>Description</b>  |  |   |   |                             |
|   | 27" Outdoor Cooking Center with 2 Grill Burners, 1 Rotisserie Burner | 27" Outdoor Cooking Center with 2 Grill Burners | 24" Outdoor Cooking Center with 2 Grill Burners, Rotisserie | Dual Burner Outdoor Cooktop |
| <b>Performance</b>  |  |   |   |                             |
| 20,000 BTU Cast-Iron Gas Grill Burners                              | 2  | 2   |   |                             |
| 15,000 BTU Stainless Steel Gas Grill Burners                        |  |   | 2   |                             |
| 14,000 BTU Infrared Gas Rotisserie Burner                           | 1  |   |   |                             |
| 15,000 BTU Cast-Iron Gas Cooktop Burners                            |  |   |   | 2                           |
| Gourmet Radiant Trays   | •  | •   |   |                             |
| Brass Control Valves  | •  | •   | •   | •                           |
| Rotary Multi-Spark Piezo Ignition                                   | •  | •   | •   | •                           |
| <b>Convenience</b>  |  |   |   |                             |
| Steel, Porcelain-Enameled Grill Grates                              | •  | •   | •   |                             |
| Cast-Iron, Porcelainized Cooktop Burner Grates                      |  |   |   | •                           |
| Stainless-Steel, Slide-Out Drip Tray                                | •  | •   |   | •                           |
| <b>Appearance</b>   |  |   |   |                             |
| Color Appearance  | Stainless-Steel  | Stainless-Steel                                 | Stainless-Steel   | Stainless-Steel             |
| Stainless-Steel Cooktop Burner Cover                                |  |   |   | •                           |
| <b>Accessories</b>  |  |   |   |                             |
| Trim Kit for Built-In Installation                                  | ZX27TKYSS  | ZX27TKYSS                                       | ZX24TKBSS   | ZX2TKYSS                    |
| Single Stainless-Steel Door for Built-In Installation               |  |   | ZXSDBSS   |                             |
| Double Stainless-Steel Doors for Built-In Installation              | ZXADYSS  | ZXADYSS   | ZXADY   |                             |
| Insulated Jacket  | ZX27JYSS   | ZX27JYSS  | ZX24JBSS  | ZX2JYSS                     |
| Stainless-Steel Cart LP Gas Tank                                    | ZX27CTACSS   | ZX27CTACSS                                      | ZX24CTBSS   |                             |
| Natural Gas Conversion Kit  |  |   | ZXLPY   |                             |
| 72" Quick Disconnect Hose for Natural Gas                           |  |   | ZX24NGB   |                             |
| 144" Quick Disconnect Hose for Natural Gas                          | ZX72HKY  | ZX72HKY   |   |                             |
| Felt-Lined Vinyl Cover for Built-In Installations                   | ZX144HKY   | ZX144HKY  | ZX144HKY  |                             |
| Felt-Lined Vinyl Cover for Portable Installations                   | ZX27CV2Y   | ZX27CV2Y  | ZX24CV2B  |                             |
| Felt-Lined Vinyl Cover for Portable Installations with Side Burners | ZX27CVCC   | ZX27CVCC  | ZX24CVCB  |                             |
| <b>General Features</b>   |  |   |   |                             |
| Fuel Configuration  | Natural Gas<br>LP Gas  | Natural Gas<br>LP Gas                           | LP Gas  | Natural Gas<br>LP Gas       |
| Overall Dimensions (WxHxD in inches)                                | 27 x 24-3/8 x 24-3/4   | 27 x 24-3/8 x 24-3/4                            | 24 x 18 x 23-3/4  | 13 x 10-1/2 x 25-3/4        |
| Total Grill Area (sq. in.)  | 515  | 515   | 405   |                             |
| 120 Volt Rotisserie Motor   | •  | •   | •   |                             |
| Approx. Shipping Weight (lbs.)                                      | 135  | 130   | 130   | 56                          |
| Full One-Year Warranty**  | •  | •   | •   | •                           |
| Additional 4-Year Warranty**  | •  | •   | •   | •                           |
| Lifetime Grill Burner Warranty**                                    | •  | •   |   |                             |

\*Special order only.

\*\*See written warranty for details.



EXCEPTIONAL SERVICE IS A MONOGRAM STANDARD.

Monogram™ offers a feature no other brand can match: customized services that begin before you've selected your appliances and continue until well after your Monogram home has become a reality. The Monogram Collection™, a superb line of kitchen appliances with a package of services to match.

**GE Answer Center®, 800.626.2000.** For technical assistance and answers to your questions about Monogram appliances any time.

**Monogram Preferred Service, 800.444.1845.** Connects you with a specialist who can schedule a service call within 24 hours.

**Visit <http://www.monogram.com>.** To view Monogram specifications, installation information and owner's manuals online.

**GE QuickSpecs, 800.432.3729.** To request dimensions and specifications on any Monogram appliance, and have the data transmitted, within minutes, to the fax number you provide.



**Monogram®**  
*We bring good things to life.*

*General Electric Company  
Louisville, Kentucky 40225*

*All Monogram products are appropriately  
UL or AGA approved.*

*Product improvement is a continuing  
endeavor at General Electric. Therefore,  
materials, appearance and specifications  
are subject to change without notice.*

*Publication Number 24-M070*